

US00D543840S

(12) **United States Design Patent**
Belokin et al.

(10) **Patent No.:** **US D543,840 S**

(45) **Date of Patent:** **** Jun. 5, 2007**

(54) **SUSPENSION BRACKET**

D373,719 S * 9/1996 Lin D8/373
D429,999 S * 8/2000 Swolsky et al. D8/372
D507,479 S * 7/2005 Jablow et al. D8/381

(75) Inventors: **Paul Belokin**, Denton County, TX
(US); **Martin P. Belokin**, Denton
County, TX (US); **Norman P. Belokin**,
Denton County, TX (US)

* cited by examiner

Primary Examiner—Holly H. Baynham
(74) *Attorney, Agent, or Firm*—Jack A. Kanz

(73) Assignee: **Displays by Martin Paul, Inc. -
Creative Center**, Denton, TX (US)

(57) **CLAIM**

(**) Term: **14 Years**

The ornamental design for a suspension bracket, as shown
and described.

(21) Appl. No.: **29/237,543**

DESCRIPTION

(22) Filed: **Sep. 2, 2005**

FIG. 1 is a rear perspective view of a suspension bracket
showing our new design;

(51) **LOC (8) Cl.** **08-05**

FIG. 2 is a front elevational view thereof;

(52) **U.S. Cl.** **D8/381**

(58) **Field of Classification Search** D8/381,
D8/363, 372; 248/235, 237, 245, 247
See application file for complete search history.

FIG. 3 is a side elevational view of the right-hand side
thereof, the left-hand side view being a mirror image of FIG.
3; and

(56) **References Cited**

FIG. 4 is a rear elevational view thereof;

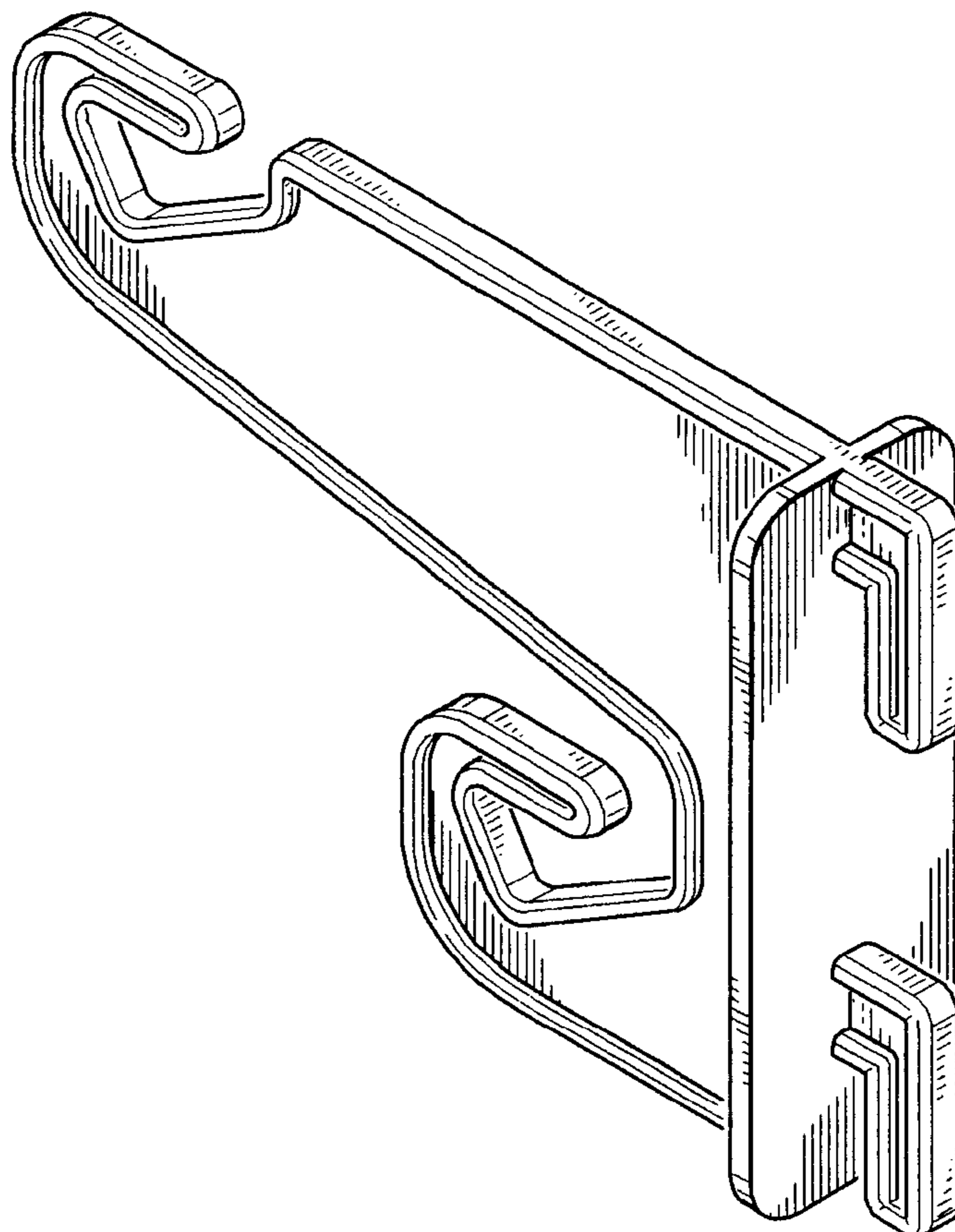
U.S. PATENT DOCUMENTS

D290,224 S * 6/1987 Skinner D8/381
D346,735 S * 5/1994 Glisch et al. D8/367
D354,431 S * 1/1995 Andrews D8/373

FIG. 5 is a top plan view thereof; and,

FIG. 6 is a bottom plan view of our new design for a
suspension bracket.

1 Claim, 2 Drawing Sheets



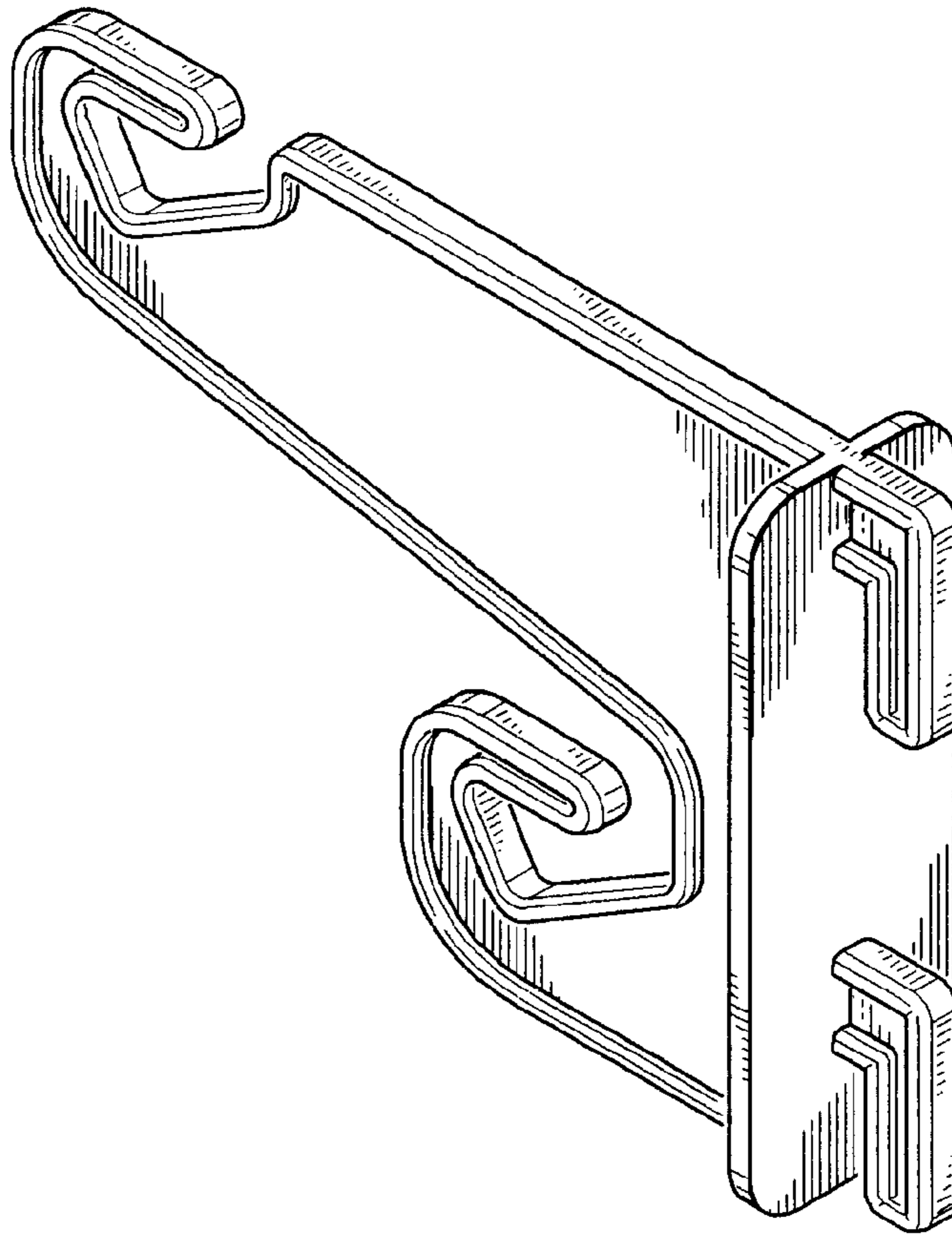


FIG. 1

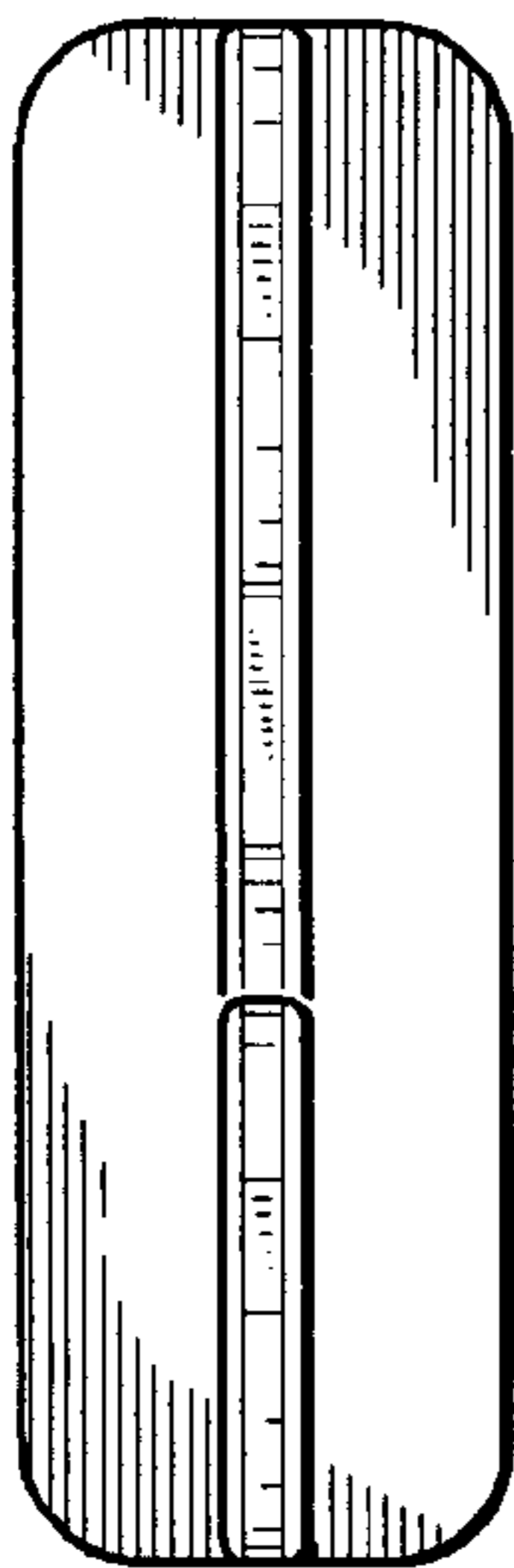


FIG. 2

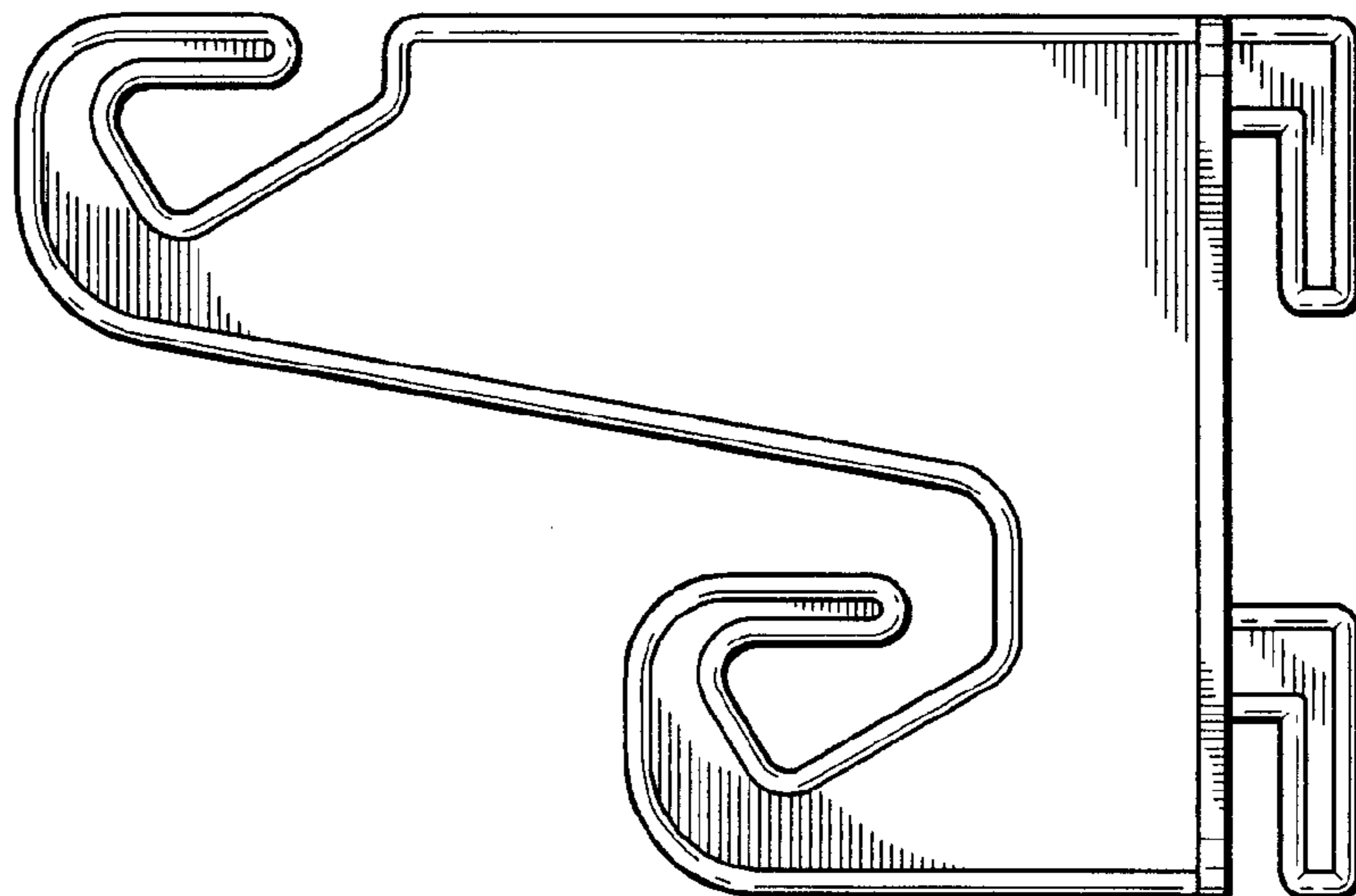


FIG. 3

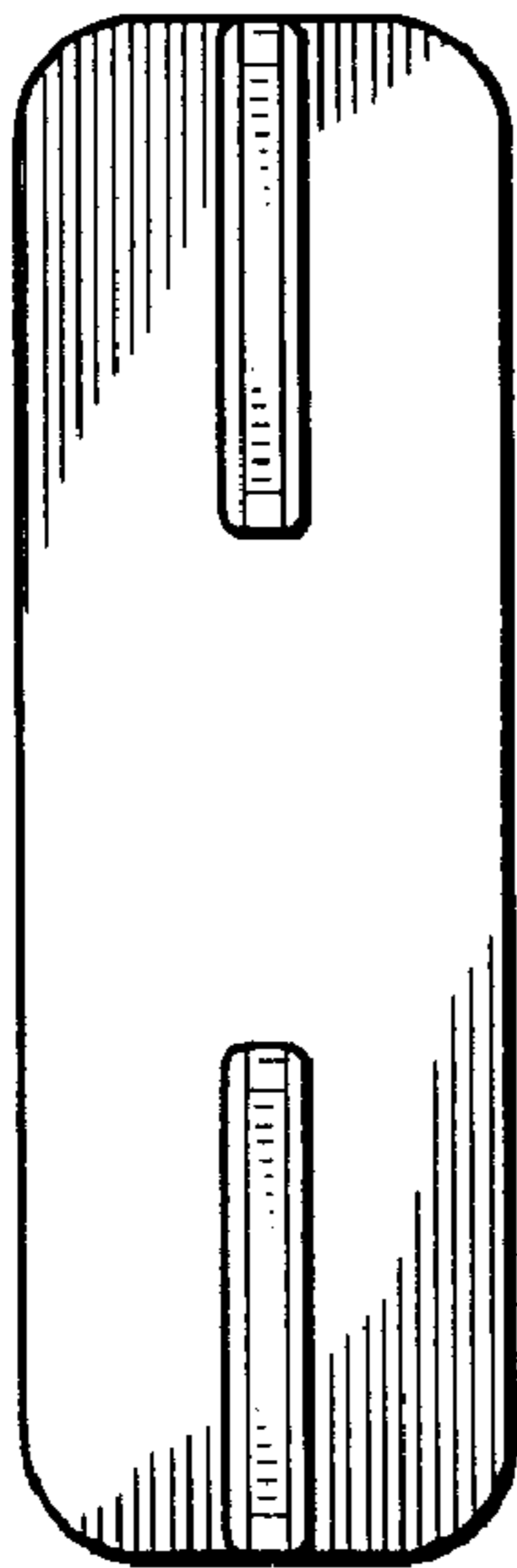


FIG. 4

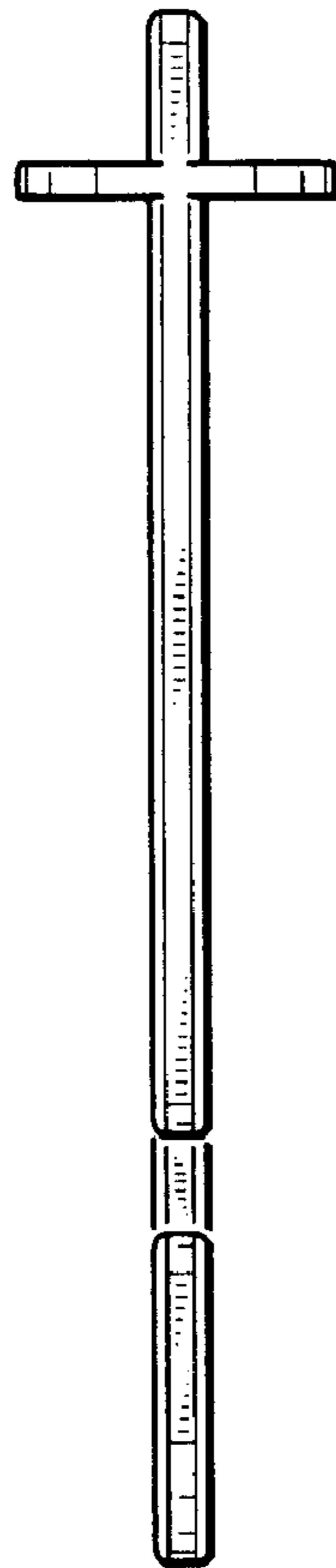


FIG. 5

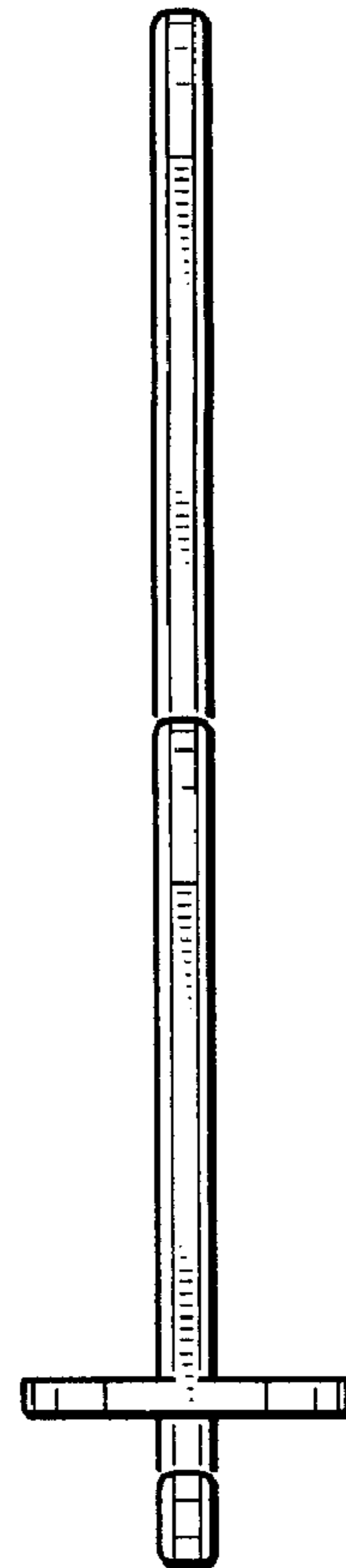


FIG. 6