



US00D543836S

(12) **United States Design Patent**
Sorkin

(10) **Patent No.:** **US D543,836 S**

(45) **Date of Patent:** **** Jun. 5, 2007**

(54) **PAVING CHAIR**

Primary Examiner—Holly H. Baynham
(74) *Attorney, Agent, or Firm*—Egbert Law Offices

(76) **Inventor:** **Felix L. Sorkin**, 13022 Trinity Dr.,
Stafford, TX (US) 77477

(**) **Term:** **14 Years**

(57) **CLAIM**

I claim the ornamental design for a paving chair, as shown and described.

(21) **Appl. No.:** **29/236,647**

(22) **Filed:** **Aug. 22, 2005**

(51) **LOC (8) Cl.** **08-05**

(52) **U.S. Cl.** **D8/354**

(58) **Field of Classification Search** D8/354;
52/677, 686–687

See application file for complete search history.

DESCRIPTION

FIG. 1 is an upper perspective view of the paving chair showing my design.

FIG. 2 is a front view thereof;

FIG. 3 is a side, wherein an opposite side view is a mirror image thereof;

FIG. 4 is a top plan view thereof; and,

FIG. 5 is a bottom view thereof.

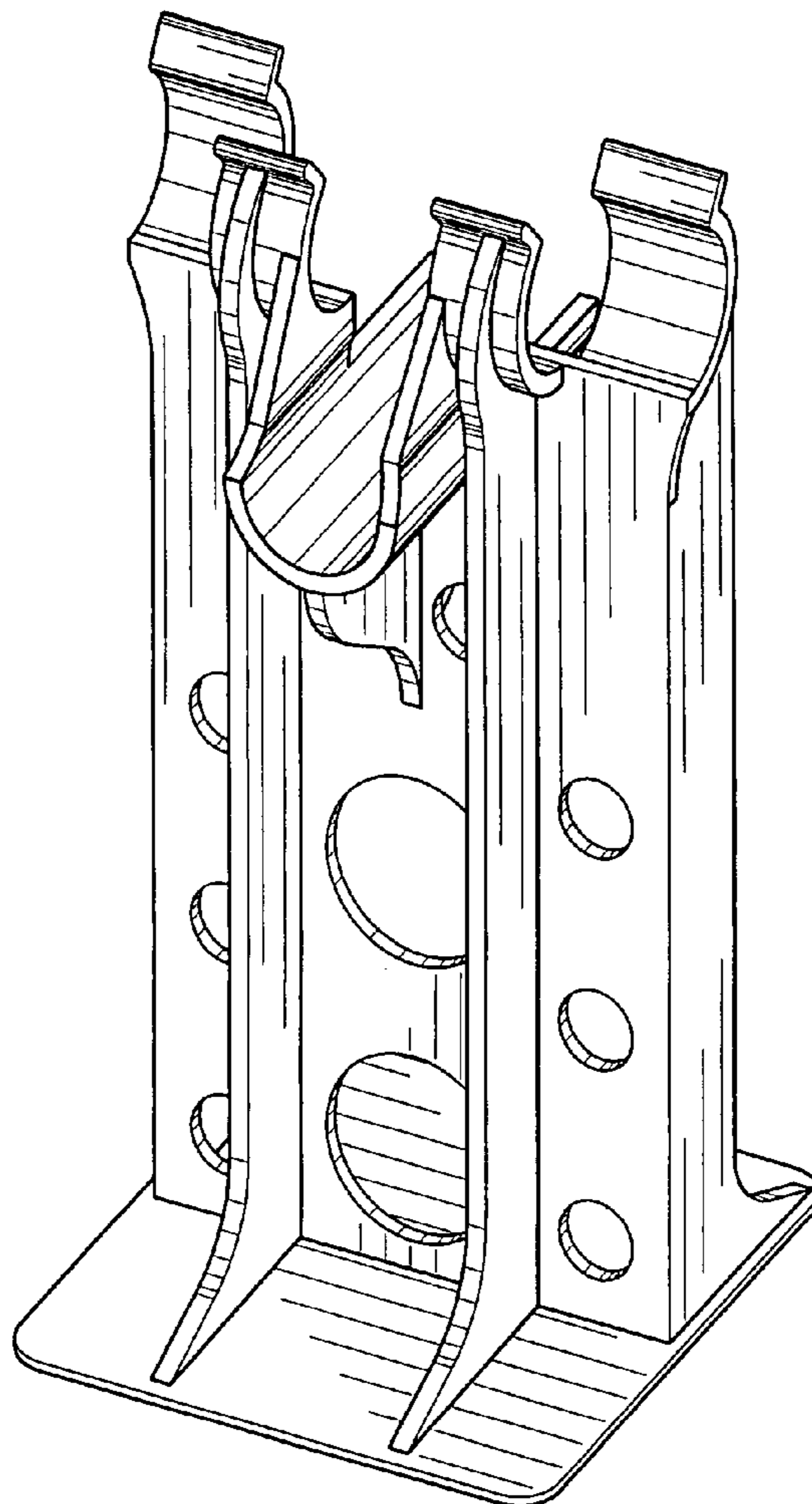
(56) **References Cited**

U.S. PATENT DOCUMENTS

D482,262 S *	11/2003	Sorkin	D8/354
D500,665 S *	1/2005	Sorkin	D8/354
2004/0031228 A1 *	2/2004	Hardy et al.	52/687

* cited by examiner

1 Claim, 2 Drawing Sheets



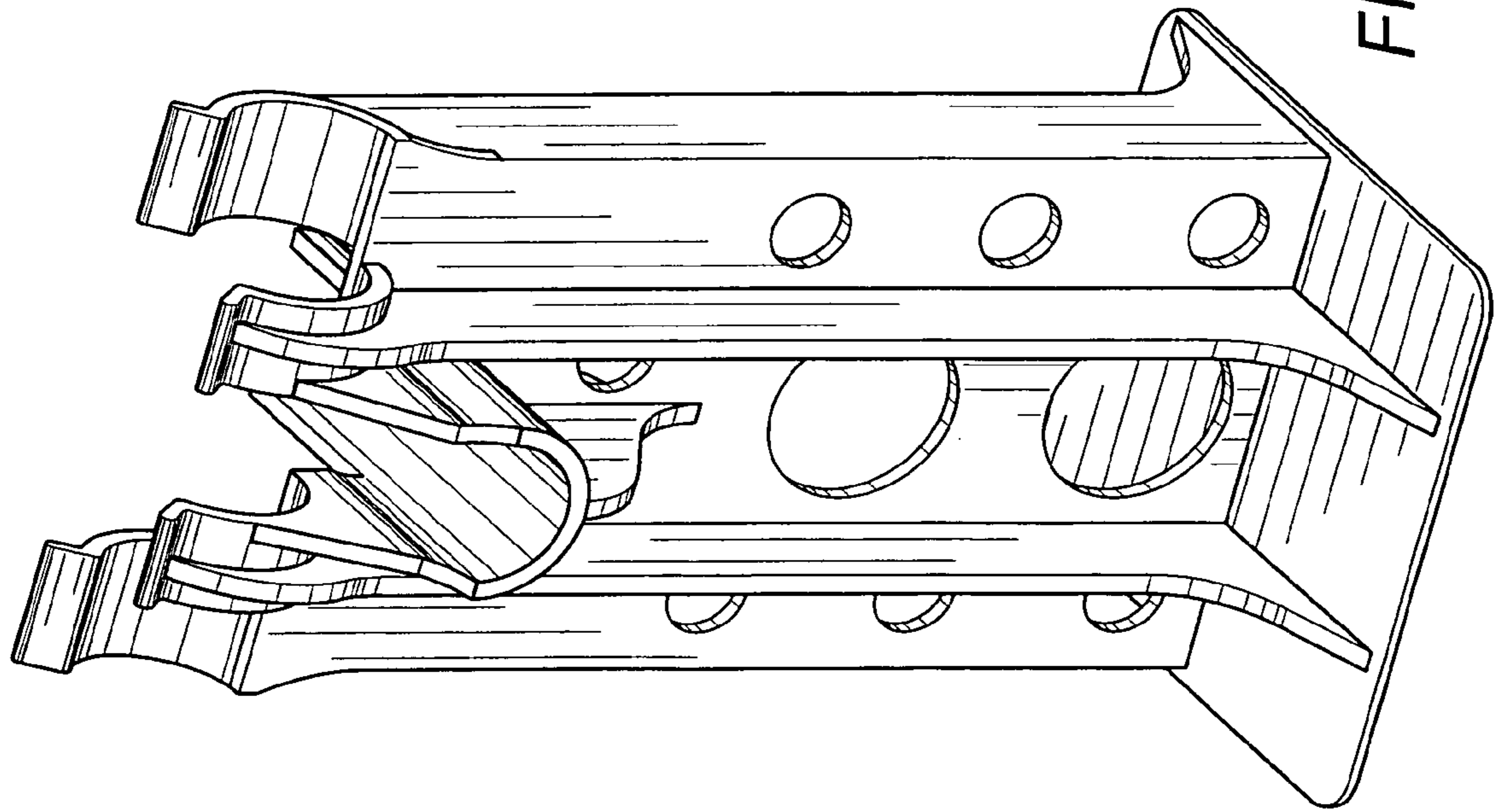


FIG. 1

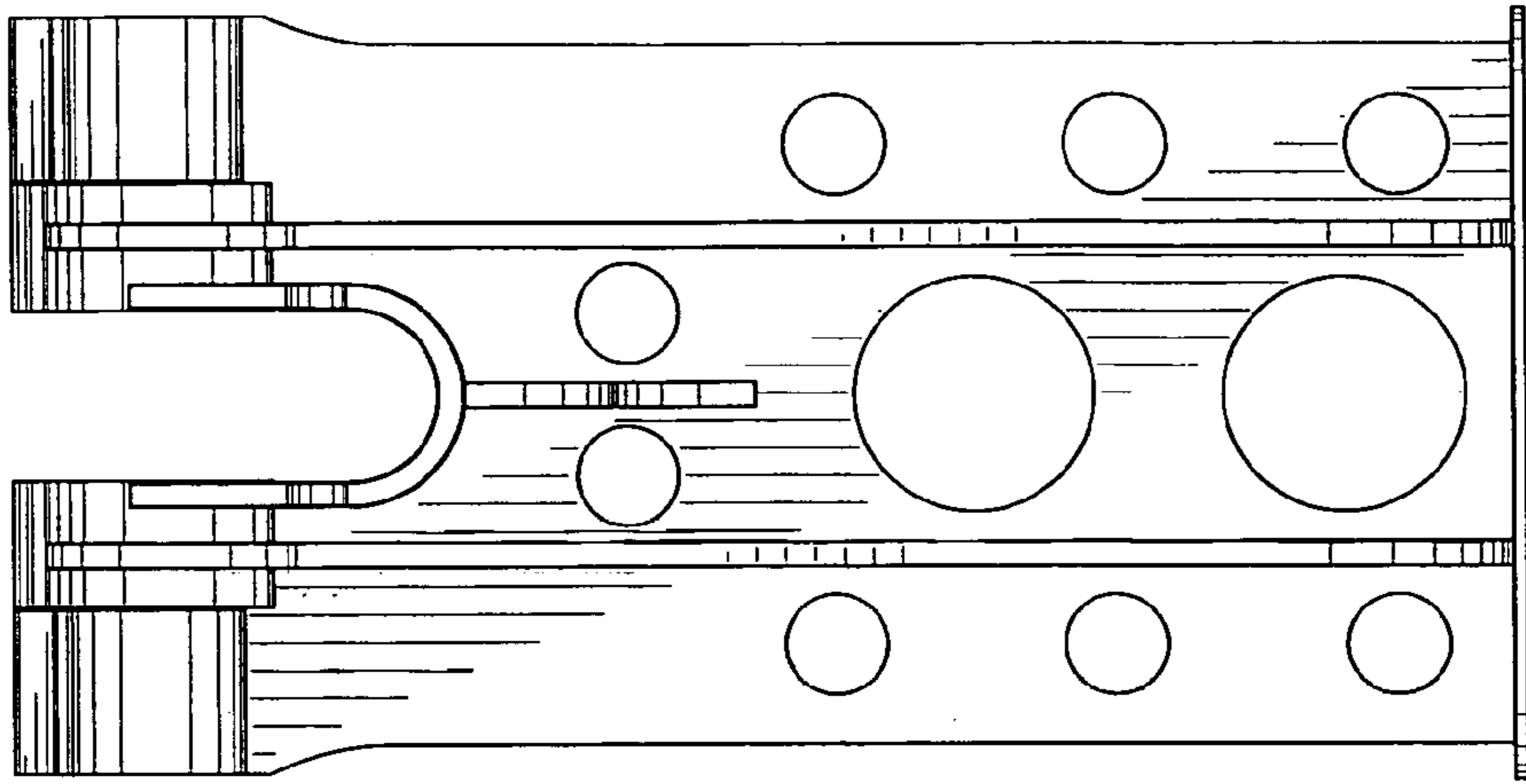


FIG. 2

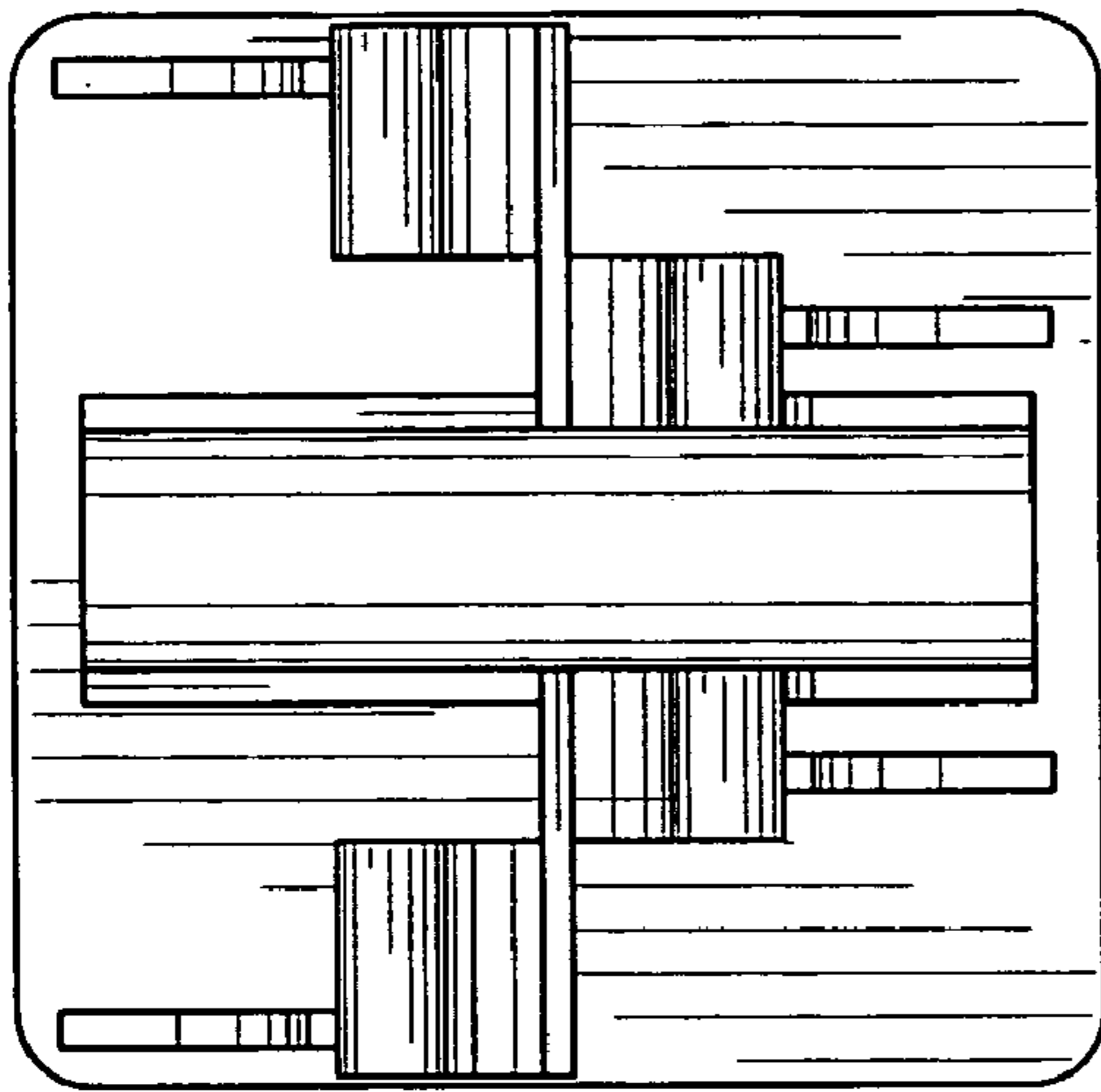


FIG. 4

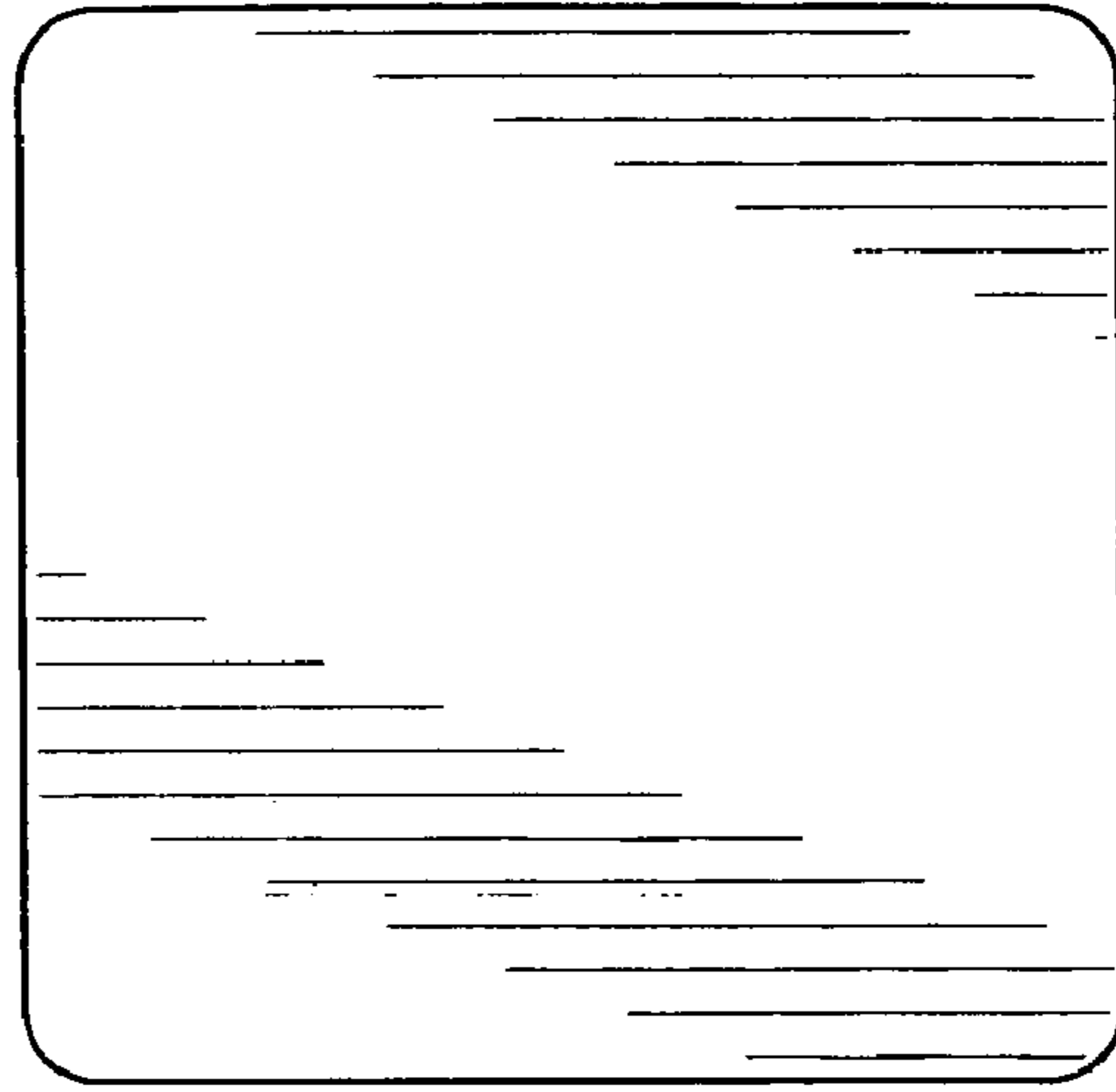


FIG. 5

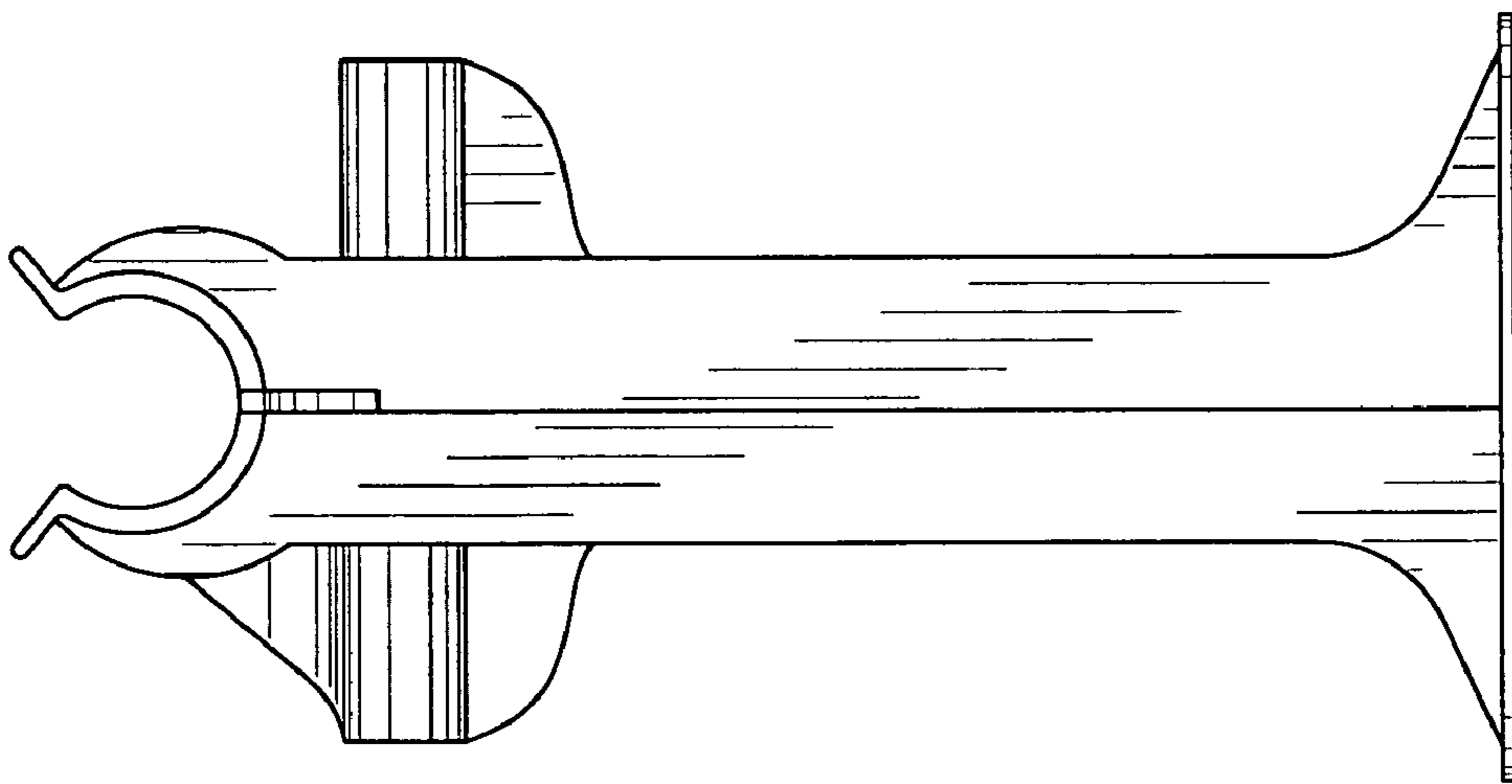


FIG. 3