

US00D543834S

(12) **United States Design Patent**  
**Worthy**

(10) **Patent No.:** **US D543,834 S**

(45) **Date of Patent:** **\*\* Jun. 5, 2007**

(54) **DUEL PURPOSE UNIVERSAL MOUNTING BRACKET**

6,585,208 B1 \* 7/2003 Fraser ..... 248/251

(76) Inventor: **Joe David Worthy**, 12269 Maggie La., Willis, TX (US) 77318

\* cited by examiner

*Primary Examiner*—Holly H. Baynham

(\*\*) Term: **14 Years**

(57) **CLAIM**

(21) Appl. No.: **29/225,283**

I claim the ornamental design for a duel purpose universal mounting bracket, as shown and described.

(22) Filed: **Mar. 14, 2005**

**DESCRIPTION**

(51) **LOC (8) Cl.** ..... **08-05**

(52) **U.S. Cl.** ..... **D8/354**

(58) **Field of Classification Search** ..... D8/354,  
D8/349, 380; 248/200, 300; D12/223  
See application file for complete search history.

FIG. 1 is an illustrative view of the bracket showing attaching slots, and duel position location. The broken line showing of the winding device is for illustrative purposes only and forms no part of the claimed design

FIG. 2 is a top view of the design of FIG. 1

FIG. 3 is a left side view of the design of FIG. 1

FIG. 4 is a front view of the design of FIG. 1

FIG. 5 is read view of the design of FIG. 1

FIG. 6 is a right side view of the design of FIG. 1; and,

FIG. 7 is a bottom view of the design of FIG. 1.

(56) **References Cited**

U.S. PATENT DOCUMENTS

2,920,853	A *	1/1960	Bufogle	.....	248/214
3,199,823	A *	8/1965	Stall	.....	248/265
4,709,924	A *	12/1987	Wilson et al.	.....	473/417
D309,249	S *	7/1990	Crowley	.....	D8/354
5,076,225	A *	12/1991	Tokoro et al.	.....	123/193.1
D415,950	S *	11/1999	Anderson	.....	D8/354

**1 Claim, 1 Drawing Sheet**

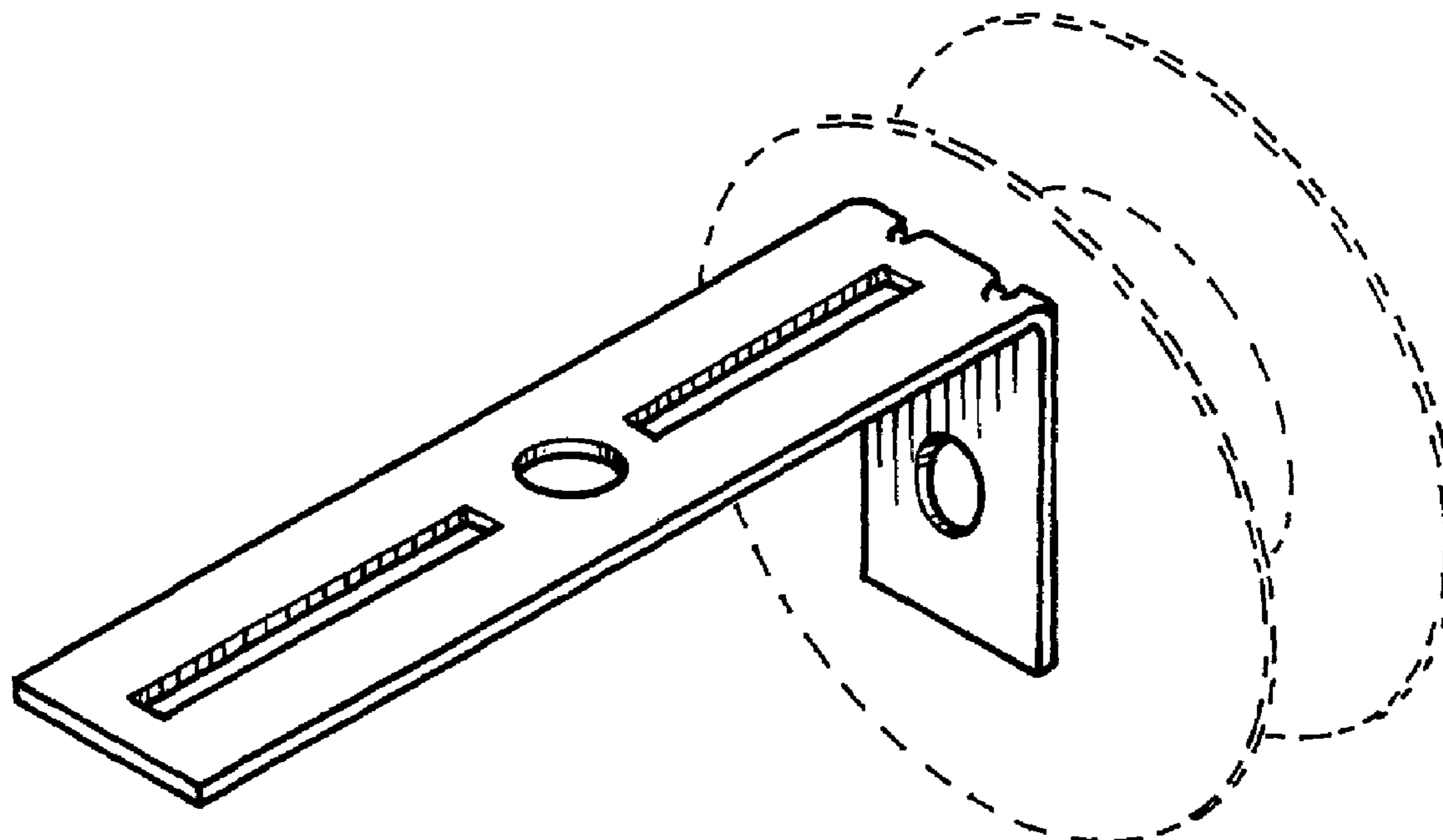


FIG. 1

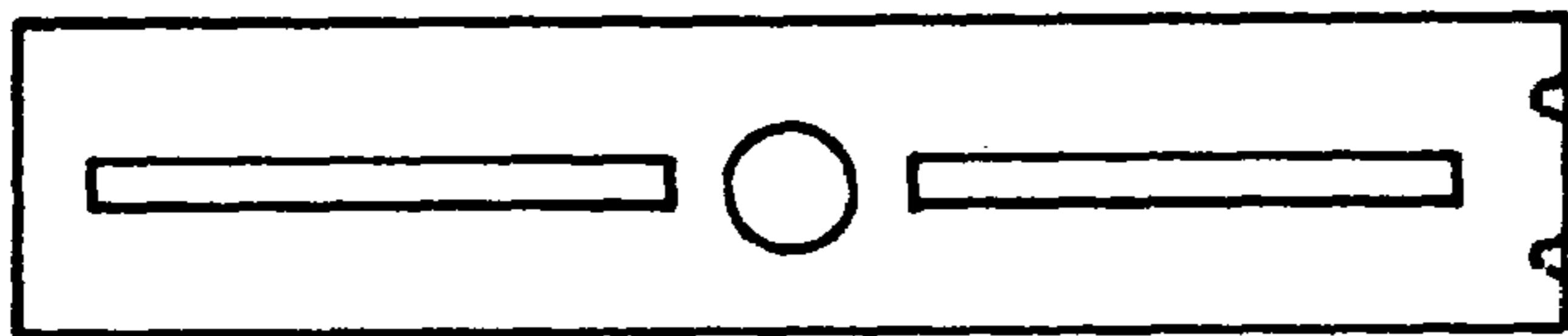
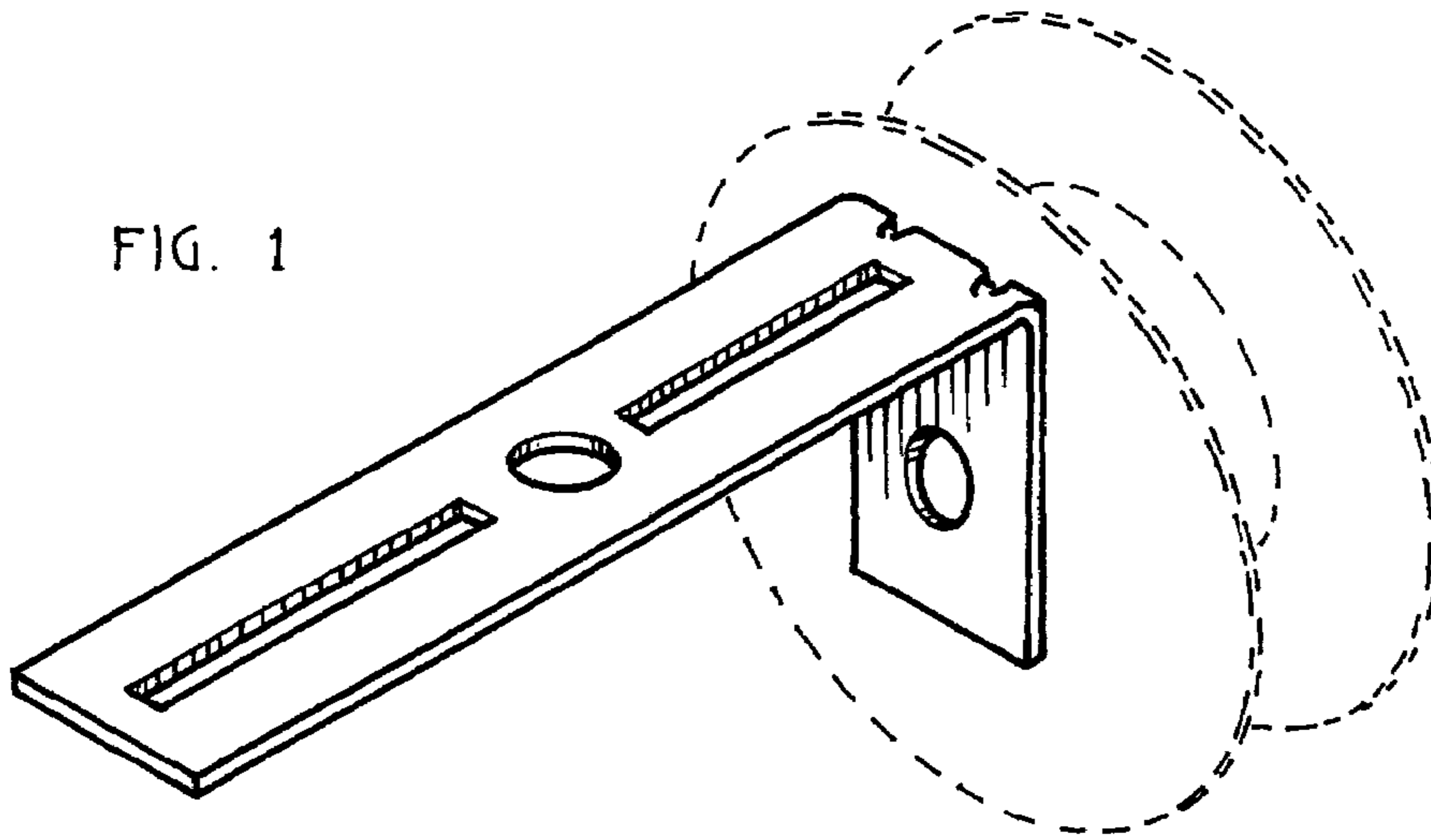


FIG. 2

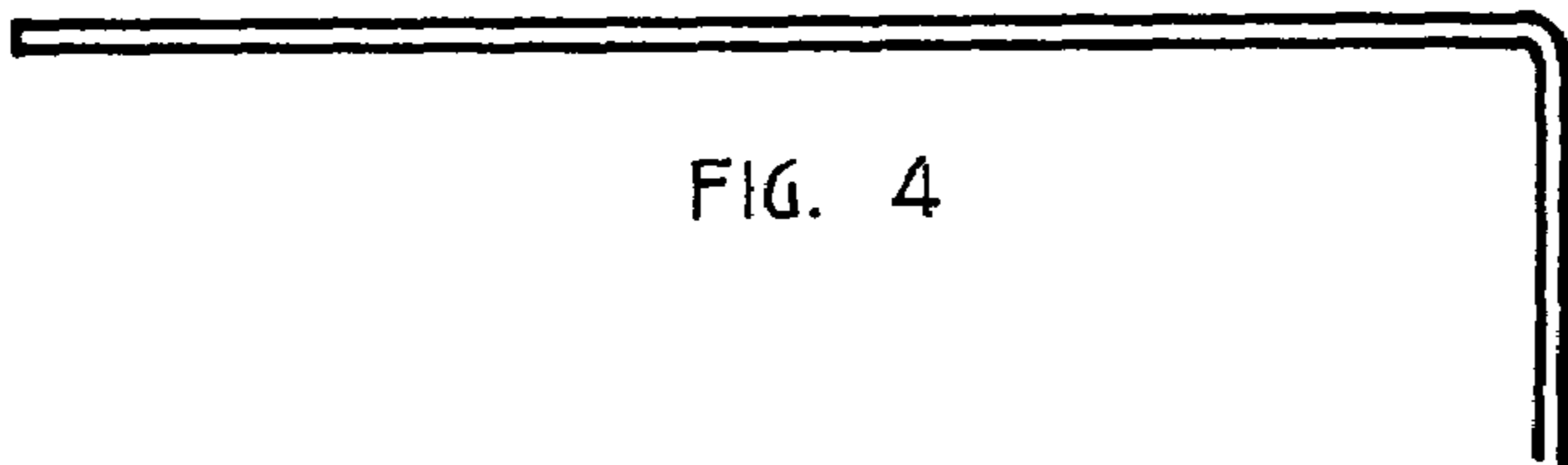


FIG. 4

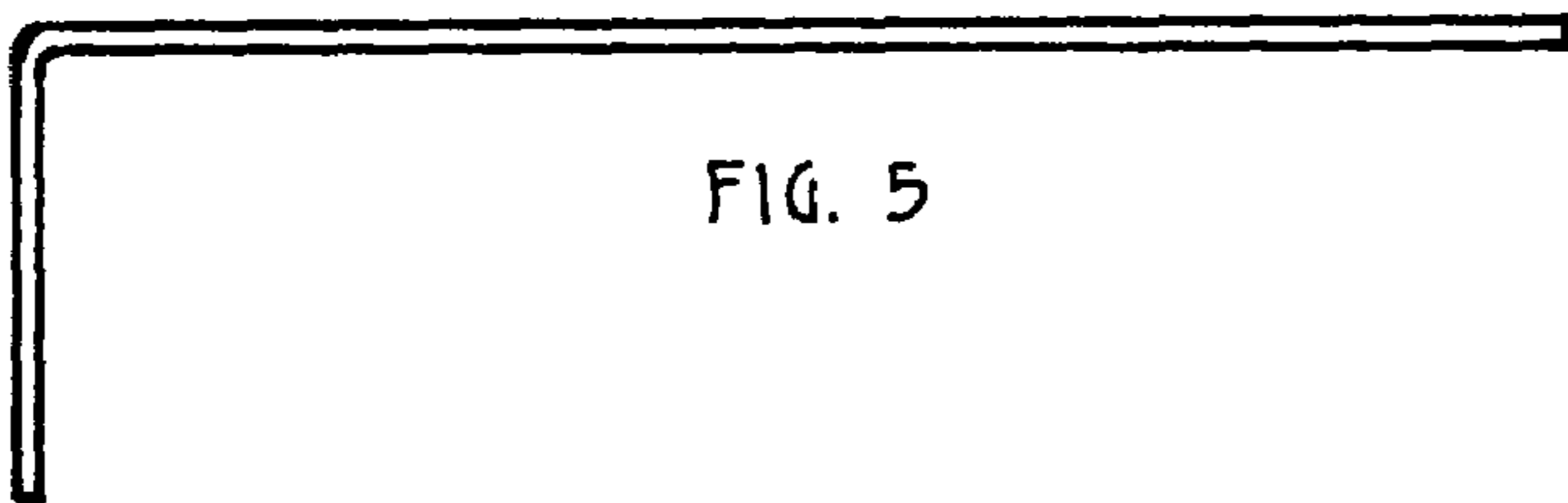


FIG. 5



FIG. 7

FIG. 3

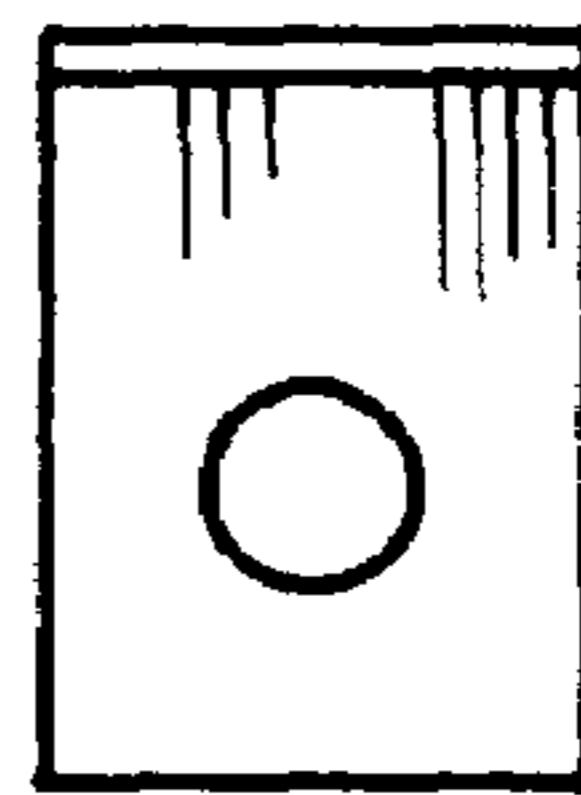


FIG. 6

