

US00D543832S

(12) **United States Design Patent**  
**Tsui**

(10) **Patent No.:** **US D543,832 S**

(45) **Date of Patent:** **\*\* Jun. 5, 2007**

(54) **PADLOCK**

D461,699 S \* 8/2002 Lavikainen et al. .... D8/334  
6,705,134 B2 \* 3/2004 Miranda ..... 70/52

(75) Inventor: **Ping Man Tsui**, Hong Kong (HK)

\* cited by examiner

(73) Assignee: **Gino Group Limited**, Hong Kong (HK)

*Primary Examiner*—Mitchell Siegel  
(74) *Attorney, Agent, or Firm*—Rabin & Berdo, P.C.

(\*\*) Term: **14 Years**

(57) **CLAIM**

(21) Appl. No.: **29/222,899**

The ornamental design for a padlock, as shown and described.

(22) Filed: **Feb. 7, 2005**

(51) **LOC (8) Cl.** ..... **08-07**

(52) **U.S. Cl.** ..... **D8/334**

(58) **Field of Classification Search** ..... D8/330-348;  
70/14, 20, 24-29, 31, 35, 38 A-38 C, 41-48,  
70/443, 448, 50-56, 417

See application file for complete search history.

**DESCRIPTION**

FIG. 1 is a perspective view of a padlock showing my new design;

FIG. 2 is a front view thereof;

FIG. 3 is a rear view thereof;

FIG. 4 is a left side view thereof;

FIG. 5 is a right side view thereof;

FIG. 6 is a top view thereof; and,

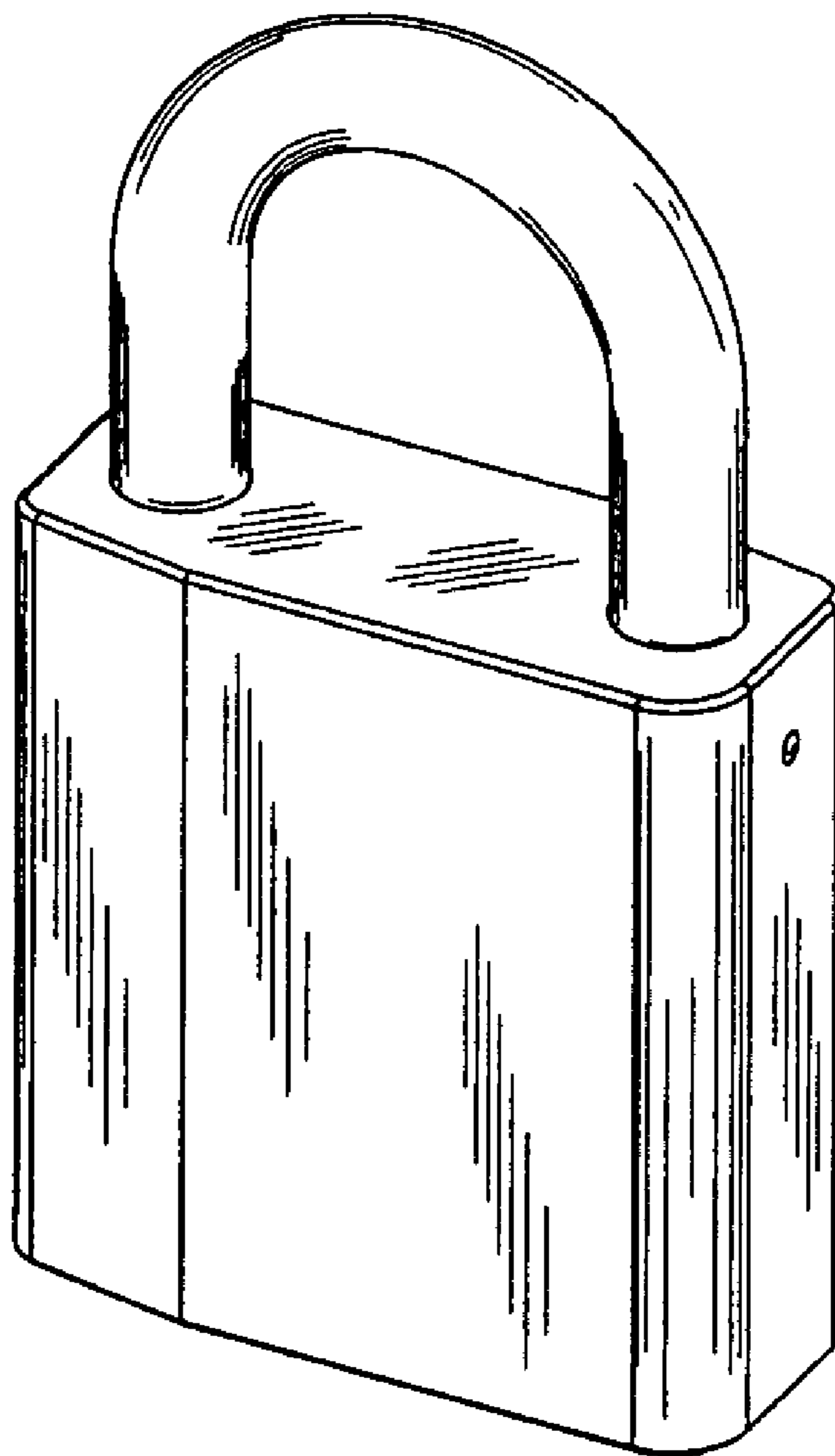
FIG. 7 is a bottom view thereof.

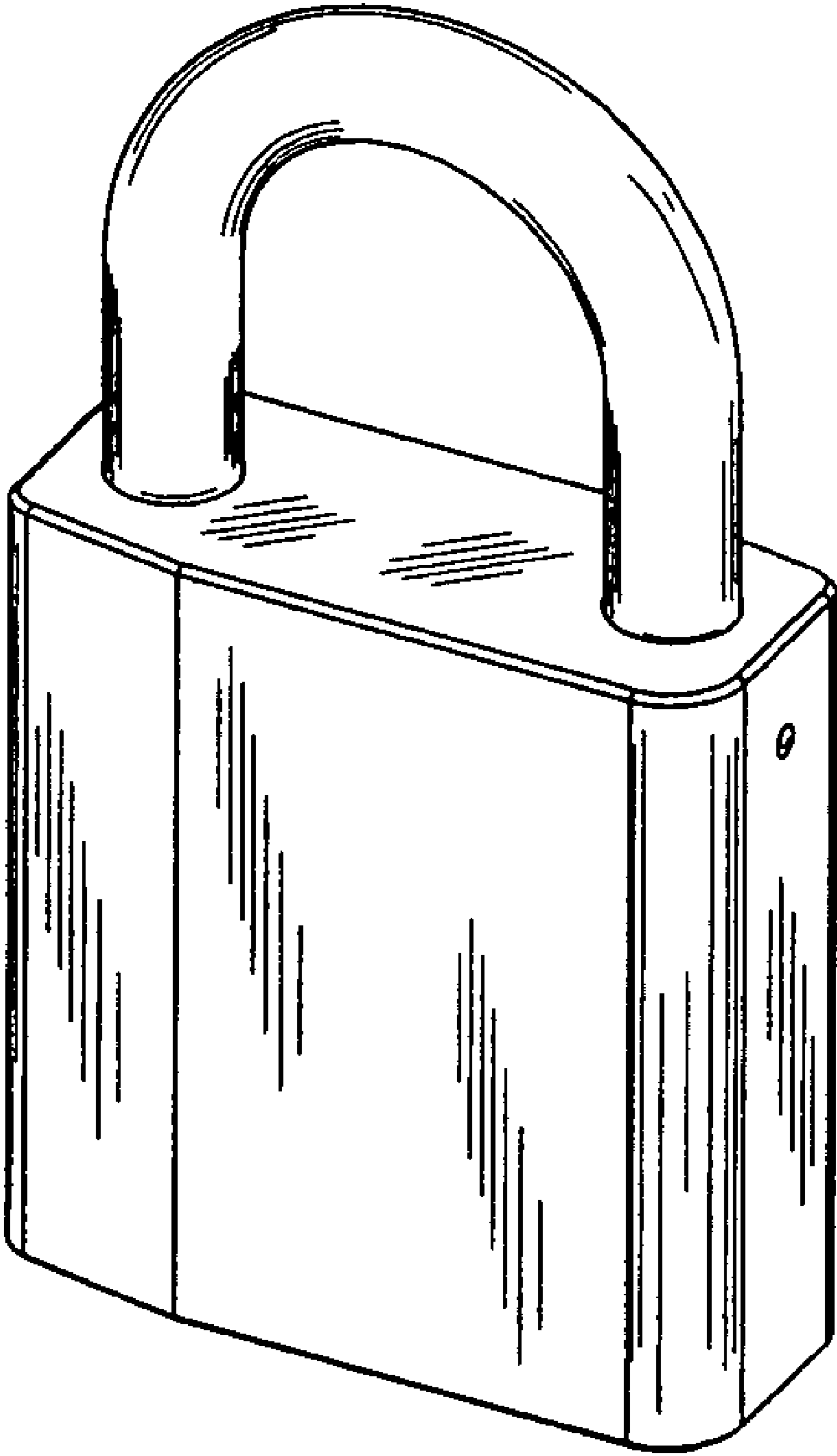
(56) **References Cited**

**U.S. PATENT DOCUMENTS**

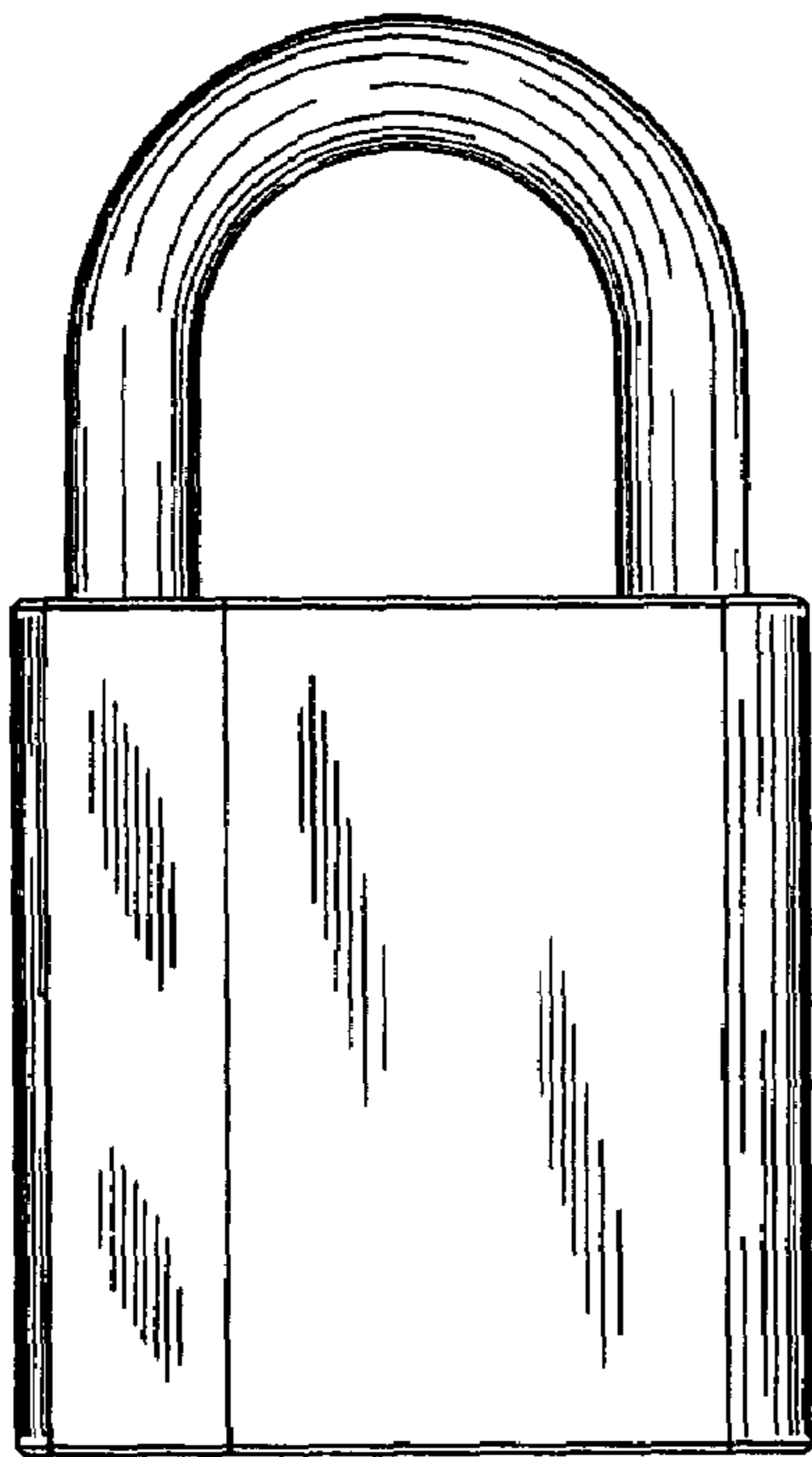
D137,277 S \* 2/1944 Muller-Monk ..... D8/334  
D353,531 S \* 12/1994 Kahonen ..... D8/334  
D449,509 S \* 10/2001 Liu ..... D8/334

**1 Claim, 4 Drawing Sheets**

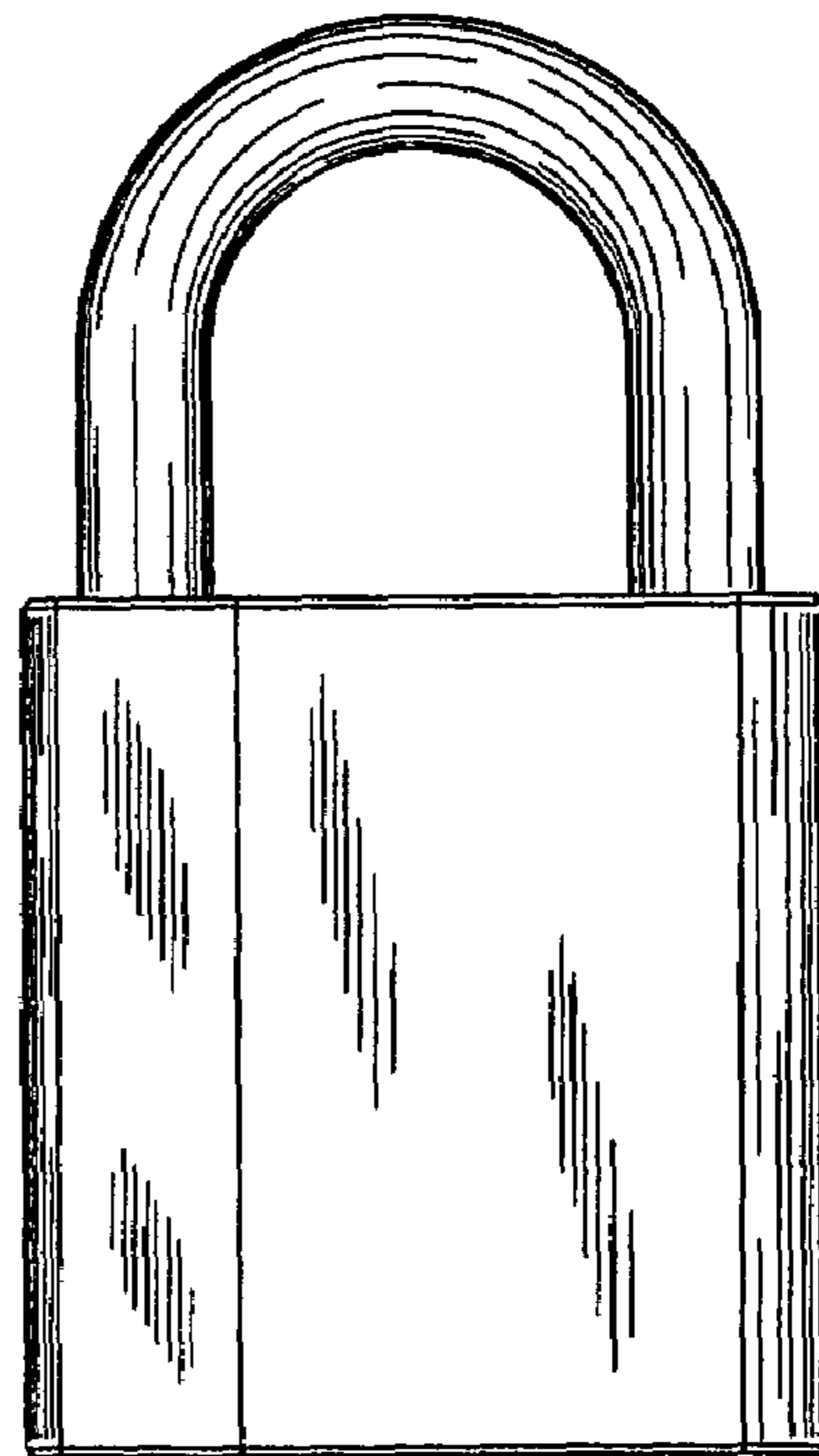




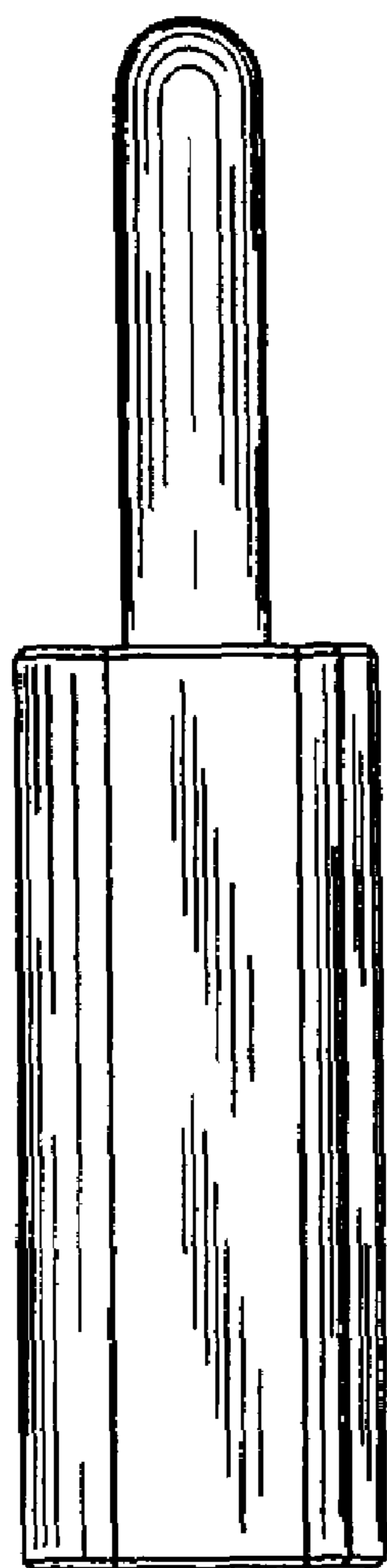
**Fig. 1**



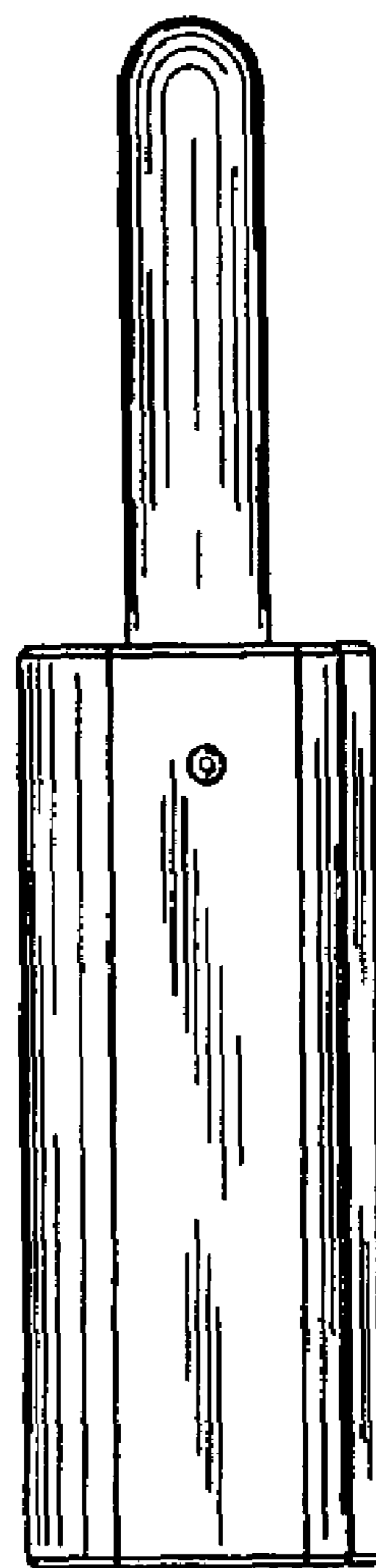
**Fig. 2**



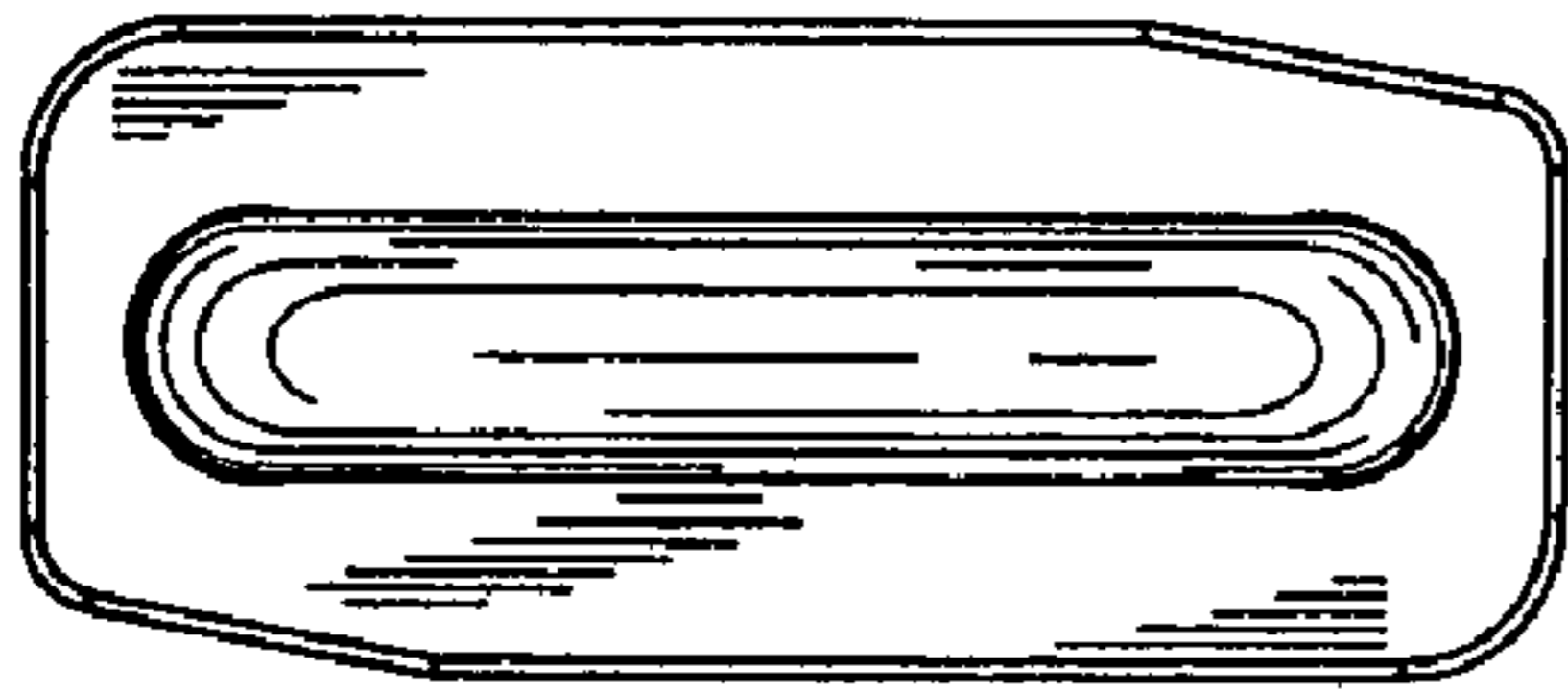
**Fig. 3**



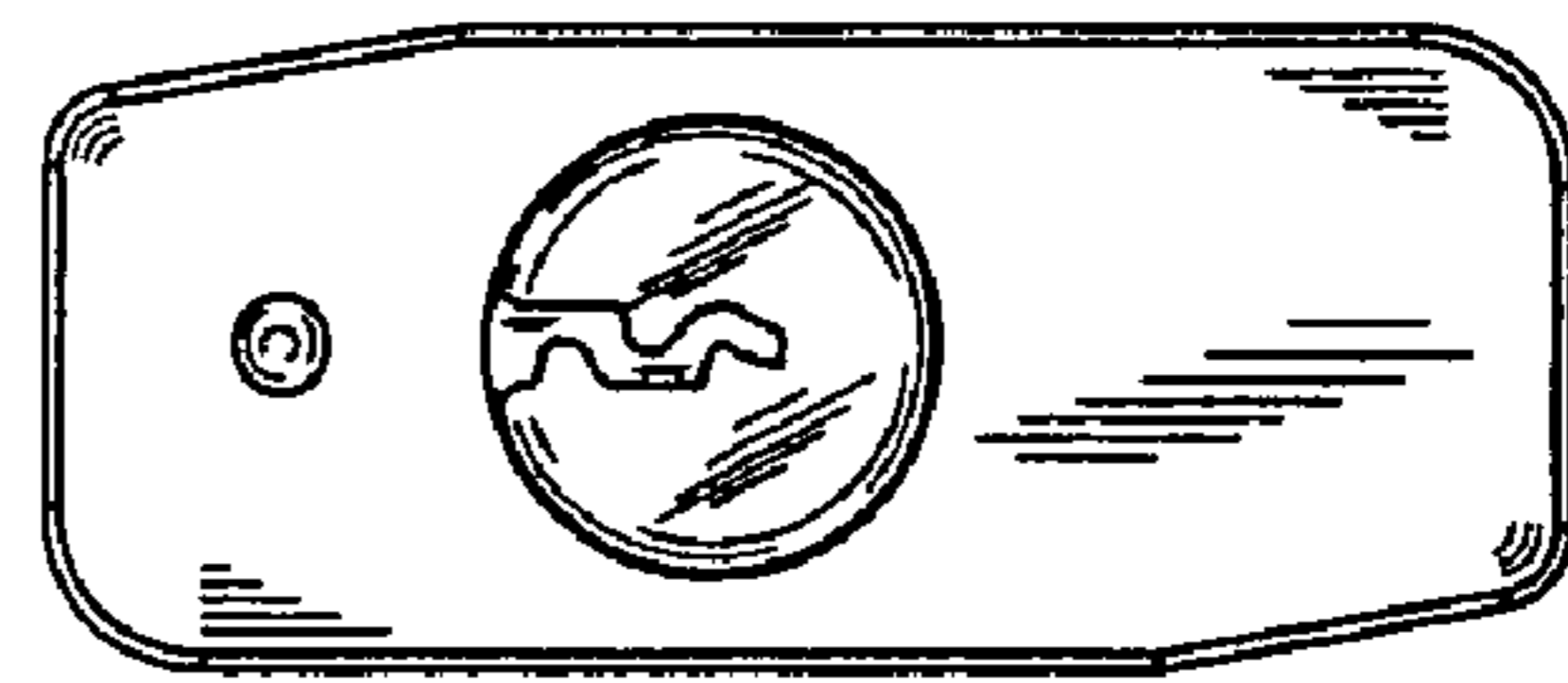
**Fig. 4**



**Fig. 5**



**Fig. 6**



**Fig. 7**