

US00D543830S

(12) **United States Design Patent**  
**Frank et al.**

(10) **Patent No.: US D543,830 S**

(45) **Date of Patent: \*\* Jun. 5, 2007**

(54) **SECURE FULL SWING RACK DOOR HINGE**

(75) Inventors: **Christopher H. Frank**, San Jose, CA (US); **Frank M. Miyahira**, San Mateo, CA (US)

(73) Assignee: **Sun Microsystems, Inc.**, Santa Clara, CA (US)

(\*\*) Term: **14 Years**

(21) Appl. No.: **29/262,864**

(22) Filed: **Jul. 12, 2006**

(51) **LOC (8) Cl. .... 08-06**

(52) **U.S. Cl. .... D8/323**

(58) **Field of Classification Search** ..... D8/323, D8/324, 325, 326, 327, 328, 329, 349, 354, D8/356; 16/234-237, 239-241, 245-246, 16/249, 254, 261-262, 265, 272, 277, 307, 16/319, 335, 339, 342, 379, 381-383, 384, 16/385, 386, 387, 388-390, 221, DIG. 13, 16/DIG. 40, DIG. 43, 309, 316; D23/303; 248/200, 221.11, 300, 309.1, 317; 4/236-240  
See application file for complete search history.

(56) **References Cited**

**U.S. PATENT DOCUMENTS**

1,603,741 A \* 10/1926 Bridler ..... 16/390  
D204,872 S \* 5/1966 Davis ..... D8/323  
3,439,377 A \* 4/1969 Bucholz ..... 16/389  
3,591,247 A \* 7/1971 Berry et al. .... 16/382  
3,911,622 A \* 10/1975 Prohaska ..... 16/221  
4,439,888 A \* 4/1984 Merillat ..... 16/390

5,144,721 A \* 9/1992 Schade ..... 16/240  
5,356,095 A \* 10/1994 Aker ..... 16/390  
6,115,885 A \* 9/2000 Strickler et al. .... 16/266  
D443,196 S \* 6/2001 Sosa ..... D8/323  
D497,533 S \* 10/2004 Wegman ..... D8/323

\* cited by examiner

*Primary Examiner*—T. Chase Nelson

(74) *Attorney, Agent, or Firm*—Osha-Liang LLP

(57) **CLAIM**

The ornamental design for a secure full swing rack door hinge, as shown and described.

**DESCRIPTION**

FIG. 1 shows a perspective view of the design according to the invention.

FIG. 2 shows a rear view of the design according to the invention.

FIG. 3 shows a front view of the design according to the invention.

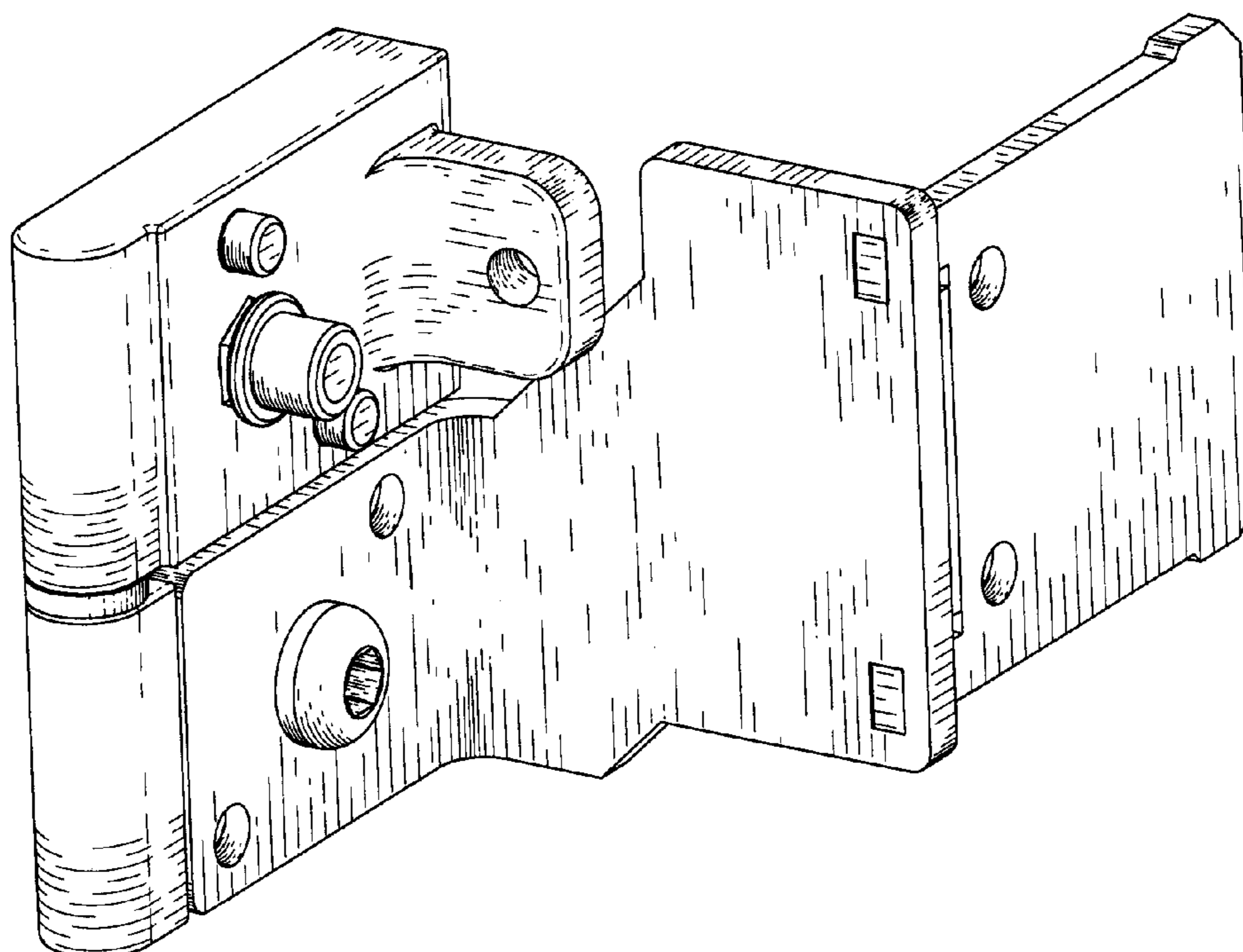
FIG. 4 shows a top view of the design according to the invention.

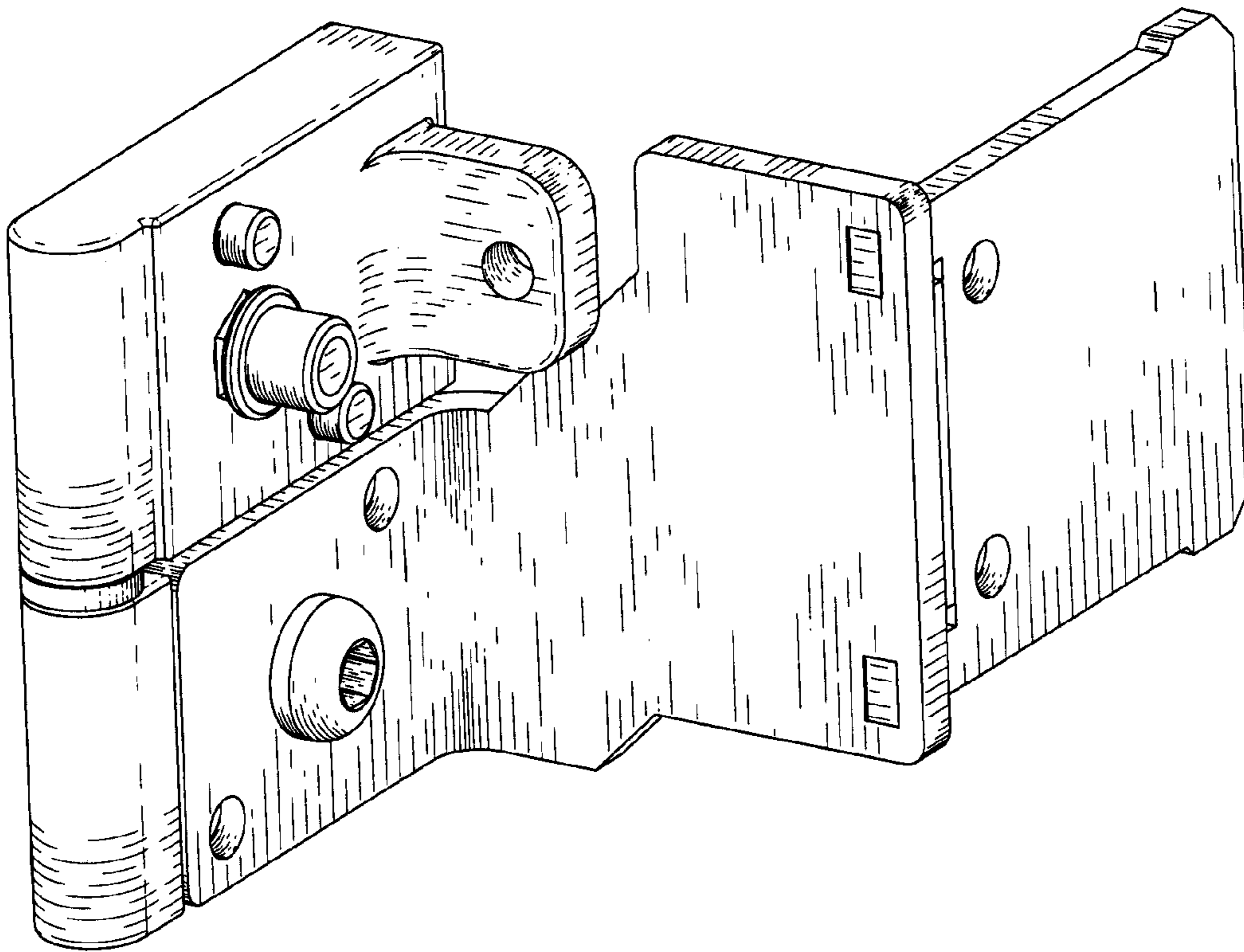
FIG. 5 shows a bottom view of the design according to the invention.

FIG. 6 shows a left side view of the design according to the invention; and,

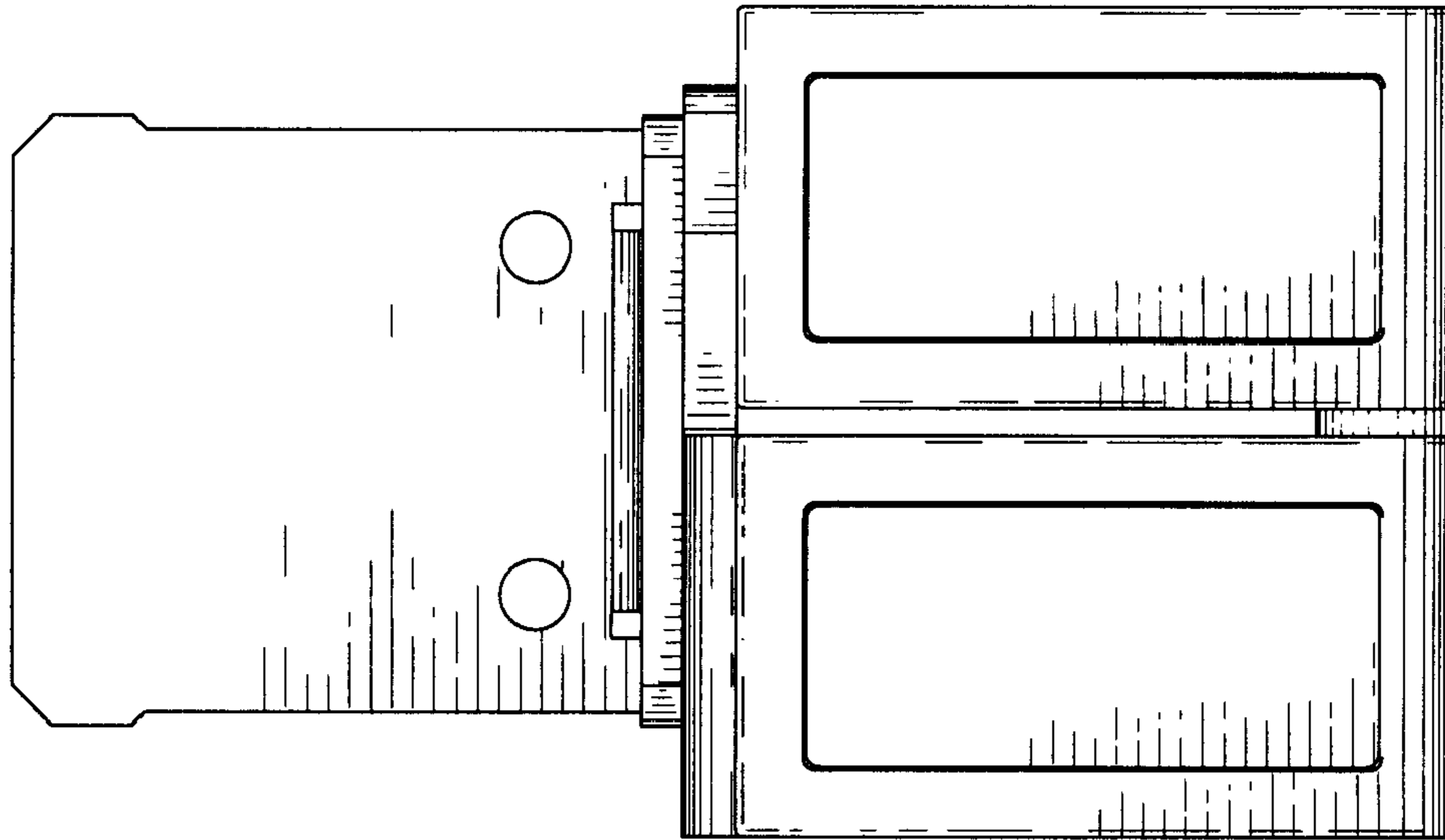
FIG. 7 shows a right side view of the design according to the invention.

**1 Claim, 4 Drawing Sheets**

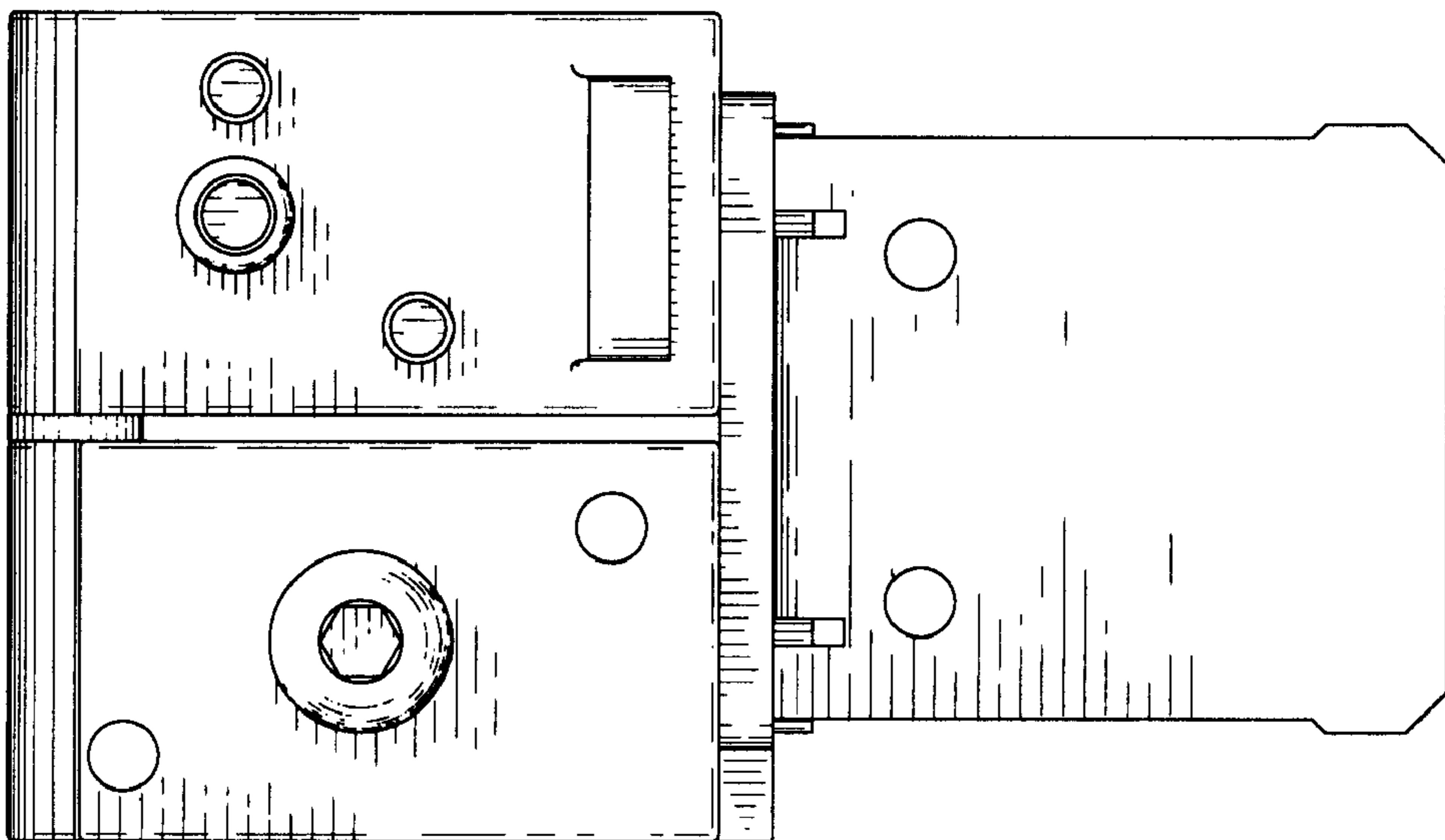




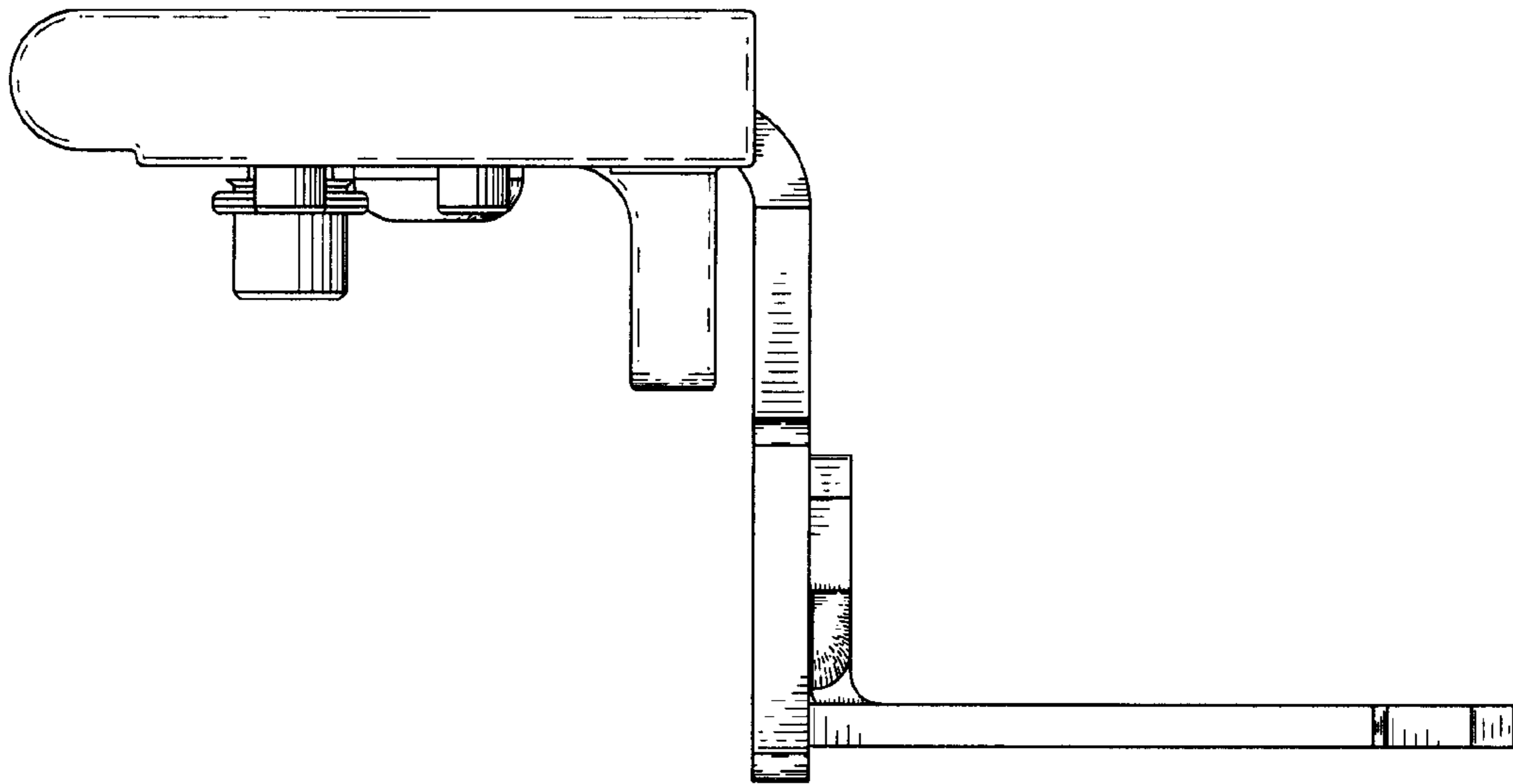
**FIG. 1**



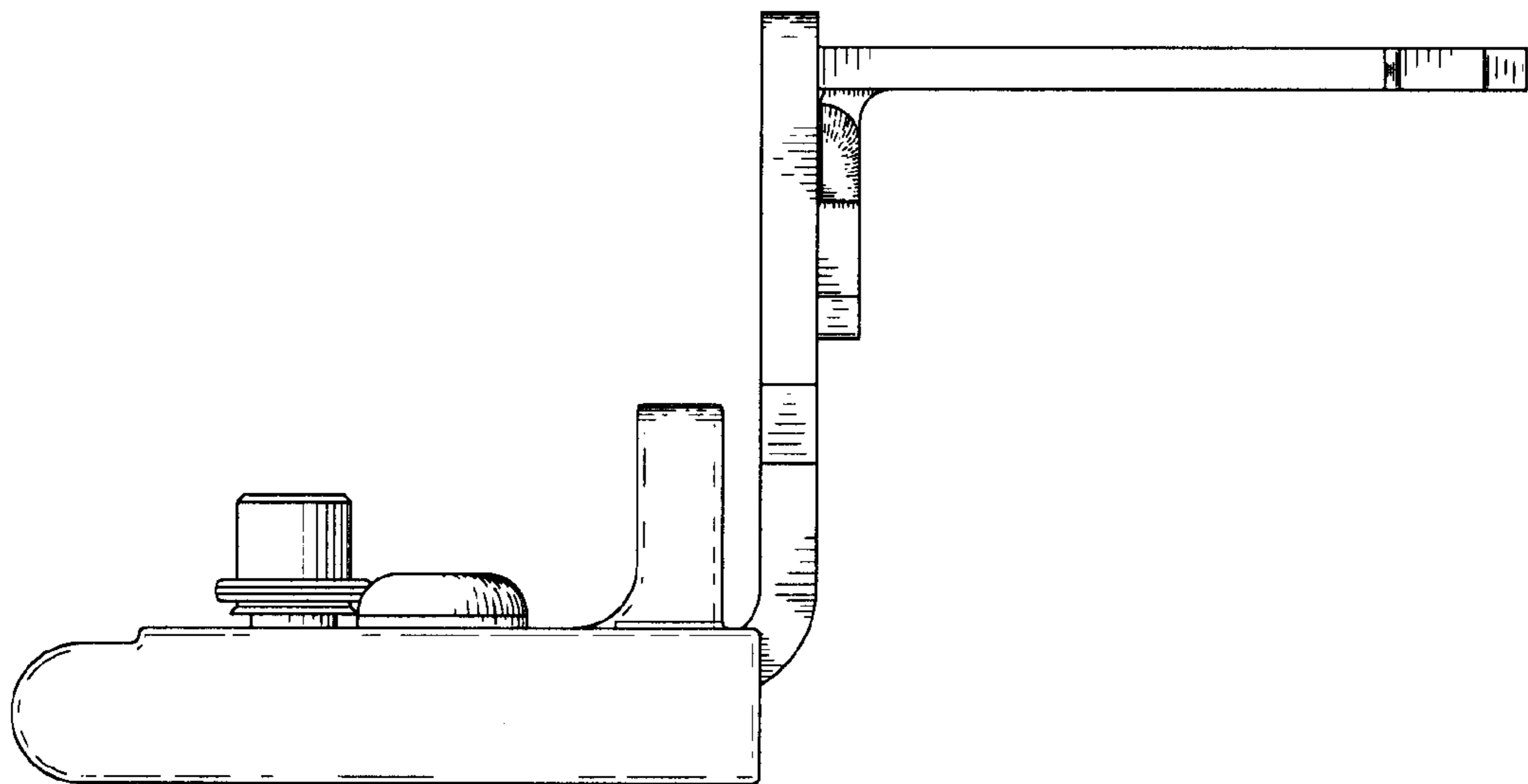
**FIG. 2**



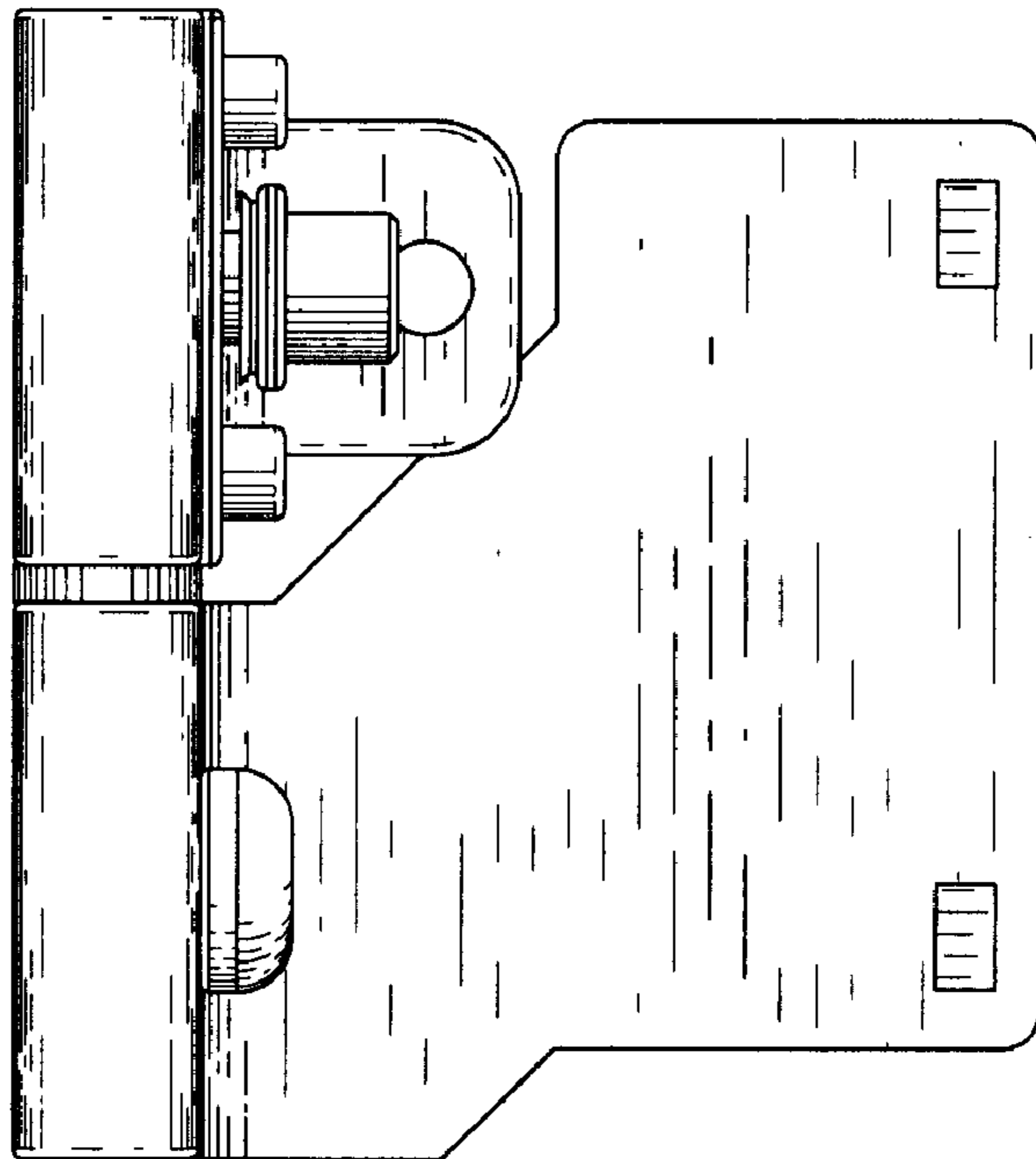
**FIG. 3**



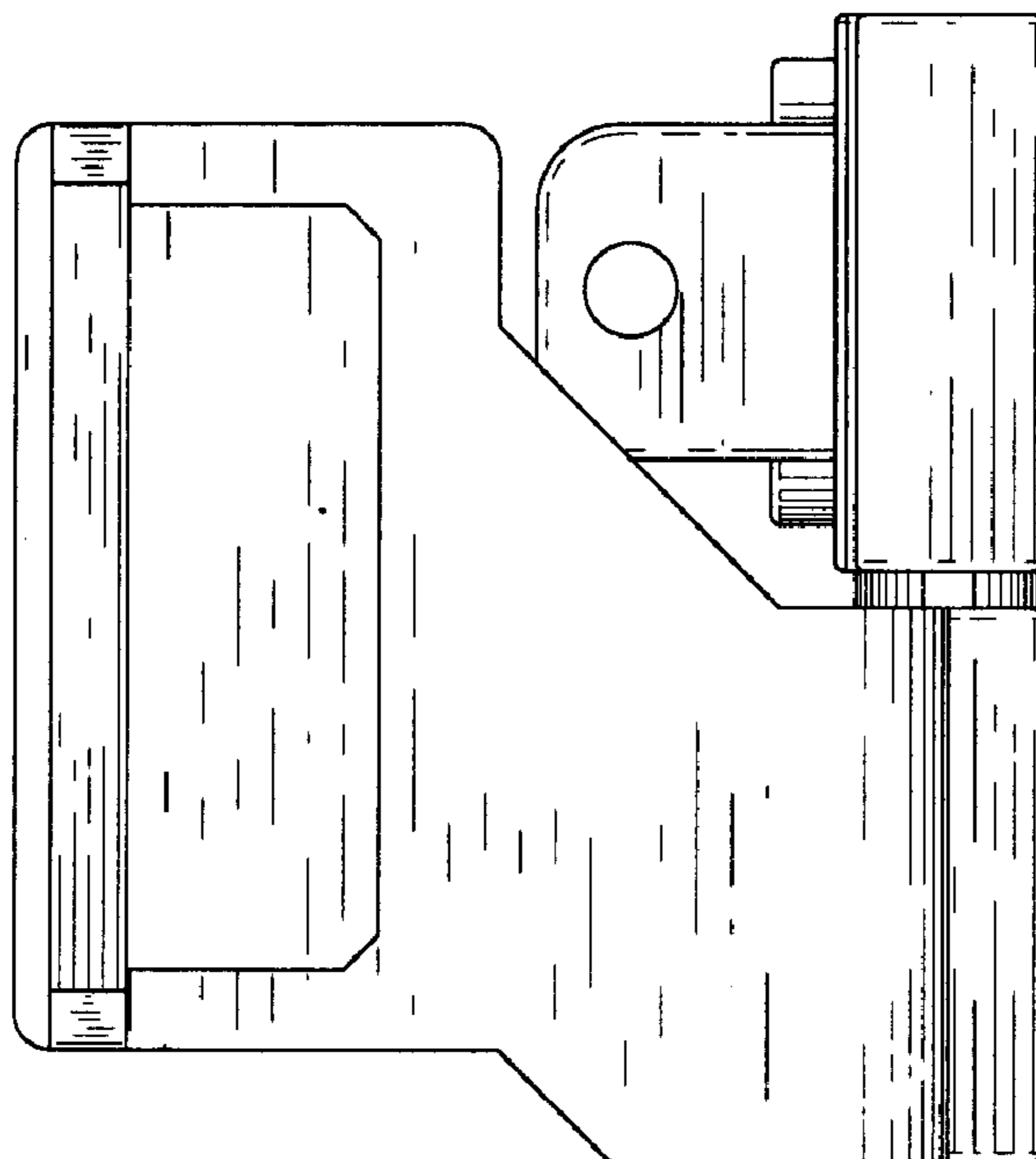
**FIG. 4**



**FIG. 5**



**FIG. 6**



**FIG. 7**