

US00D543828S

(12) **United States Design Patent**
Strutin-Belinoff et al.

(10) **Patent No.:** **US D543,828 S**

(45) **Date of Patent:** **** Jun. 5, 2007**

(54) **KNOB FOR AN OVEN OR OTHER DEVICE**

(75) Inventors: **Pilar Strutin-Belinoff**, San Francisco, CA (US); **Cormac Eubanks**, San Francisco, CA (US)

(73) Assignee: **Turbochef Technologies, Inc.**, Dallas, TX (US)

(**) Term: **14 Years**

(21) Appl. No.: **29/237,339**

(22) Filed: **Aug. 30, 2005**

(51) **LOC (8) Cl.** **08-06**

(52) **U.S. Cl.** **D8/310**

(58) **Field of Classification Search** D8/300, D8/305, 307, 310, 311, 312, DIG. 2; D7/393; D9/453; 16/414, 441; 74/548, 553; D13/158, D13/171, 173, 174; 200/329, 336, 341
See application file for complete search history.

(56) **References Cited**

U.S. PATENT DOCUMENTS

D67,444 S	*	6/1925	Burke	D8/312
D149,191 S	*	4/1948	Krause	D7/393
2,501,008 A	*	3/1950	Schramm	74/548
D176,508 S	*	1/1956	Enos	D8/311

2,797,592 A	*	7/1957	Marrapese	74/548
2,899,841 A	*	8/1959	Melloy	74/548
D218,009 S	*	7/1970	Bosnick	D8/312
D231,318 S	*	4/1974	Torrance	D8/312
D233,507 S	*	11/1974	Stevens	D9/453
4,499,630 A	*	2/1985	Harris et al.	16/441
D467,489 S	*	12/2002	Rubinson	D8/310
D493,090 S	*	7/2004	Chen et al.	D8/310

* cited by examiner

Primary Examiner—Paula A. Greene

(74) *Attorney, Agent, or Firm*—Dean W. Russell; Kilpatrick Stockton LLP

(57) **CLAIM**

The ornamental design for a knob for an oven or other device, as shown and described.

DESCRIPTION

FIG. 1 shows a front view of a knob for an oven or other device according to the present invention.

FIG. 2 shows a rear view of the knob of FIG. 1.

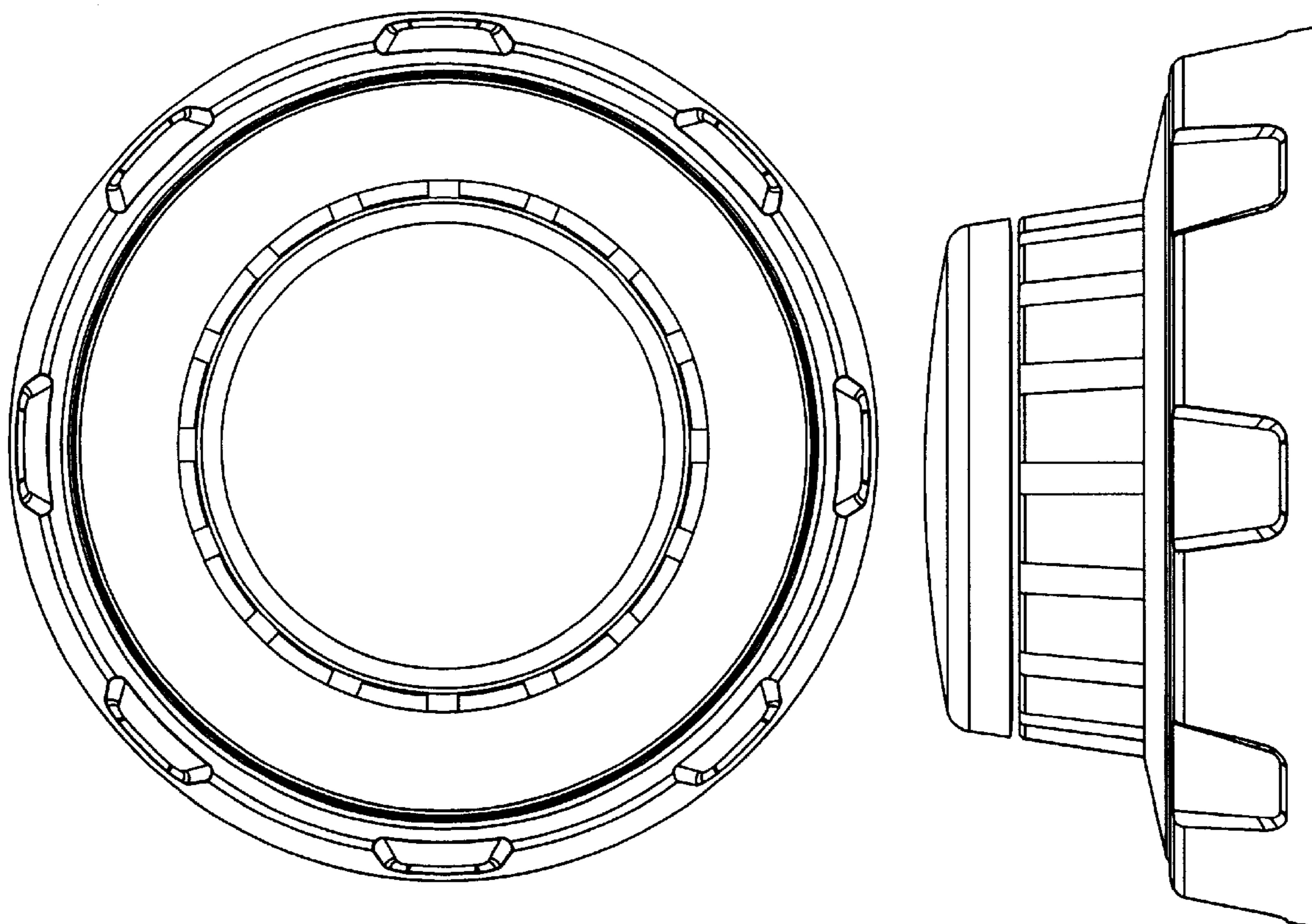
FIG. 3 shows a left side view of the knob of FIG. 1.

FIG. 4 shows a right side view of the knob of FIG. 1.

FIG. 5 shows a top view of the knob of FIG. 1; and,

FIG. 6 shows a bottom view of the knob of FIG. 1.

1 Claim, 6 Drawing Sheets



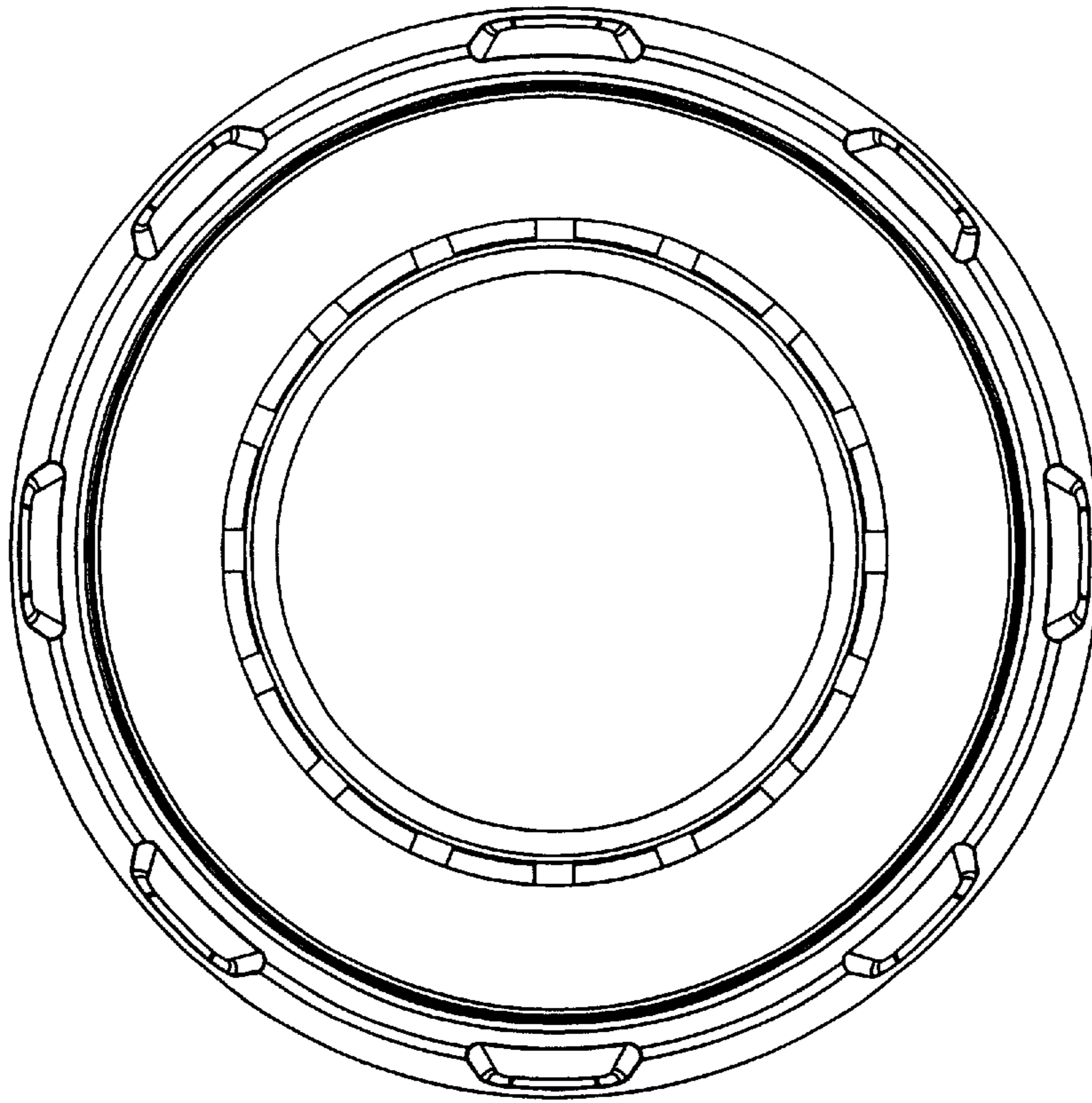


FIG. 1

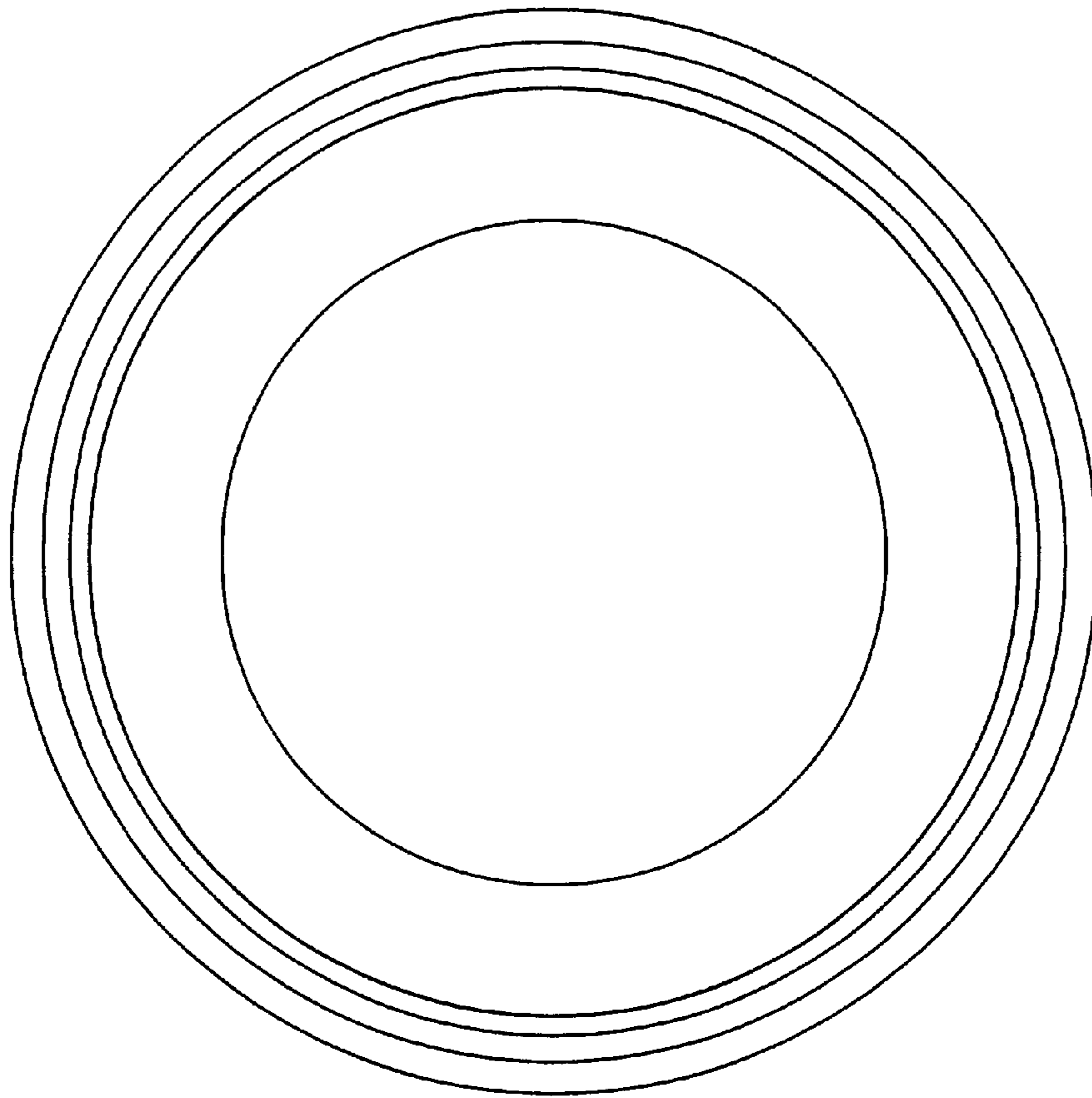


FIG. 2

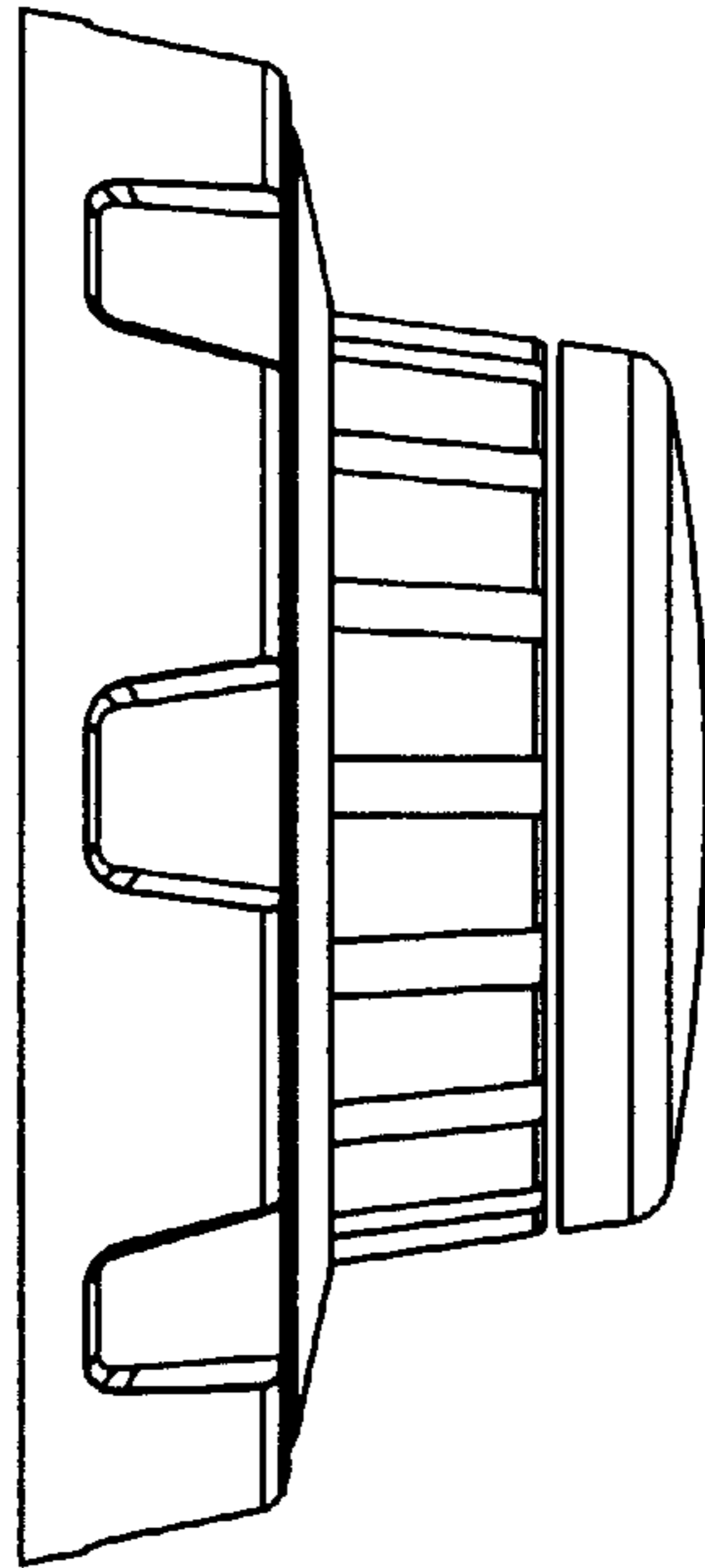


FIG. 3

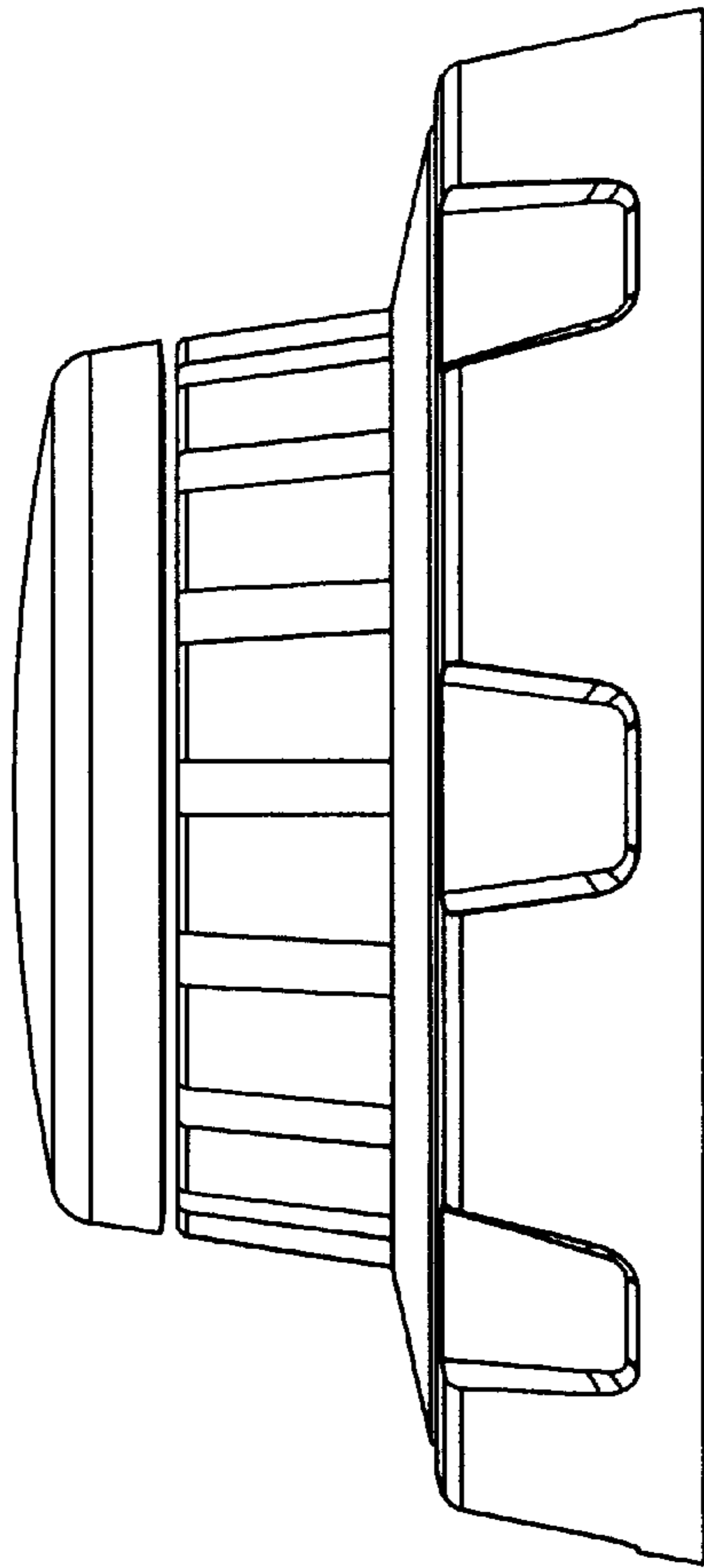


FIG. 4

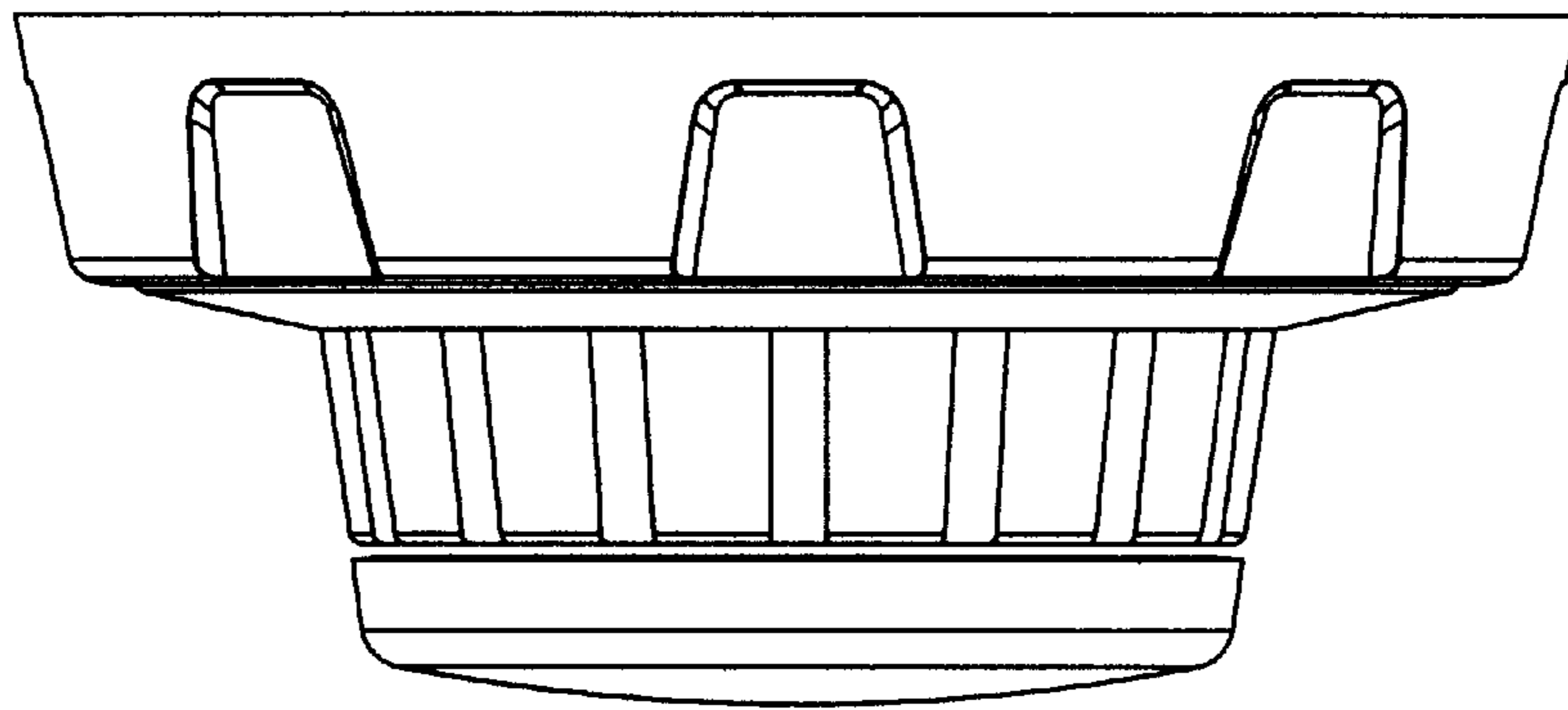


FIG. 5

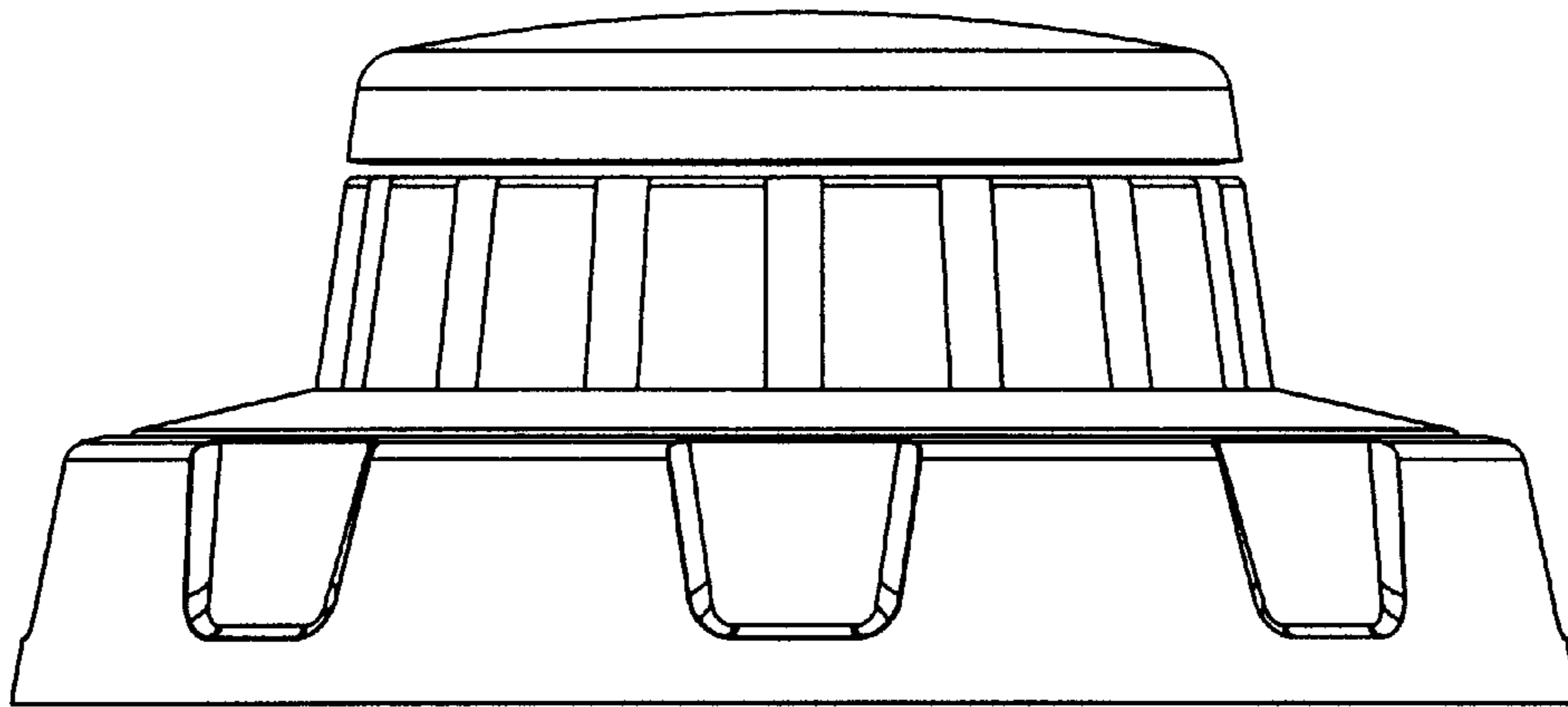


FIG. 6