

US00D543822S

(12) **United States Design Patent**  
**Ping**

(10) **Patent No.:** **US D543,822 S**

(45) **Date of Patent:** **\*\* Jun. 5, 2007**

- (54) **FOLDING UTILITY KNIFE**
- (75) Inventor: **Qiu Jian Ping**, Hangzhou (CN)
- (73) Assignee: **Great Neck Saw Manufacturers, Inc.**,  
Mineola, NY (US)
- (\*\*) Term: **14 Years**
- (21) Appl. No.: **29/244,309**
- (22) Filed: **Dec. 7, 2005**

**Related U.S. Application Data**

- (62) Division of application No. 29/210,497, filed on Aug. 2, 2004, now Pat. No. Des. 526,877.

(30) **Foreign Application Priority Data**

Mar. 19, 2004 (CN) ..... 2004-20008854

- (51) **LOC (8) Cl.** ..... **08-03**
- (52) **U.S. Cl.** ..... **D8/99**
- (58) **Field of Classification Search** ..... D8/98,  
D8/99, 107; D22/117; 30/154, 155, 156,  
30/157, 158, 159, 160, 161, 162, 330  
See application file for complete search history.

(56) **References Cited**

**U.S. PATENT DOCUMENTS**

97,154 A	11/1869	Barnard
493,075 A	3/1893	Evertz
515,045 A	2/1894	Bultzingslowen
584,077 A	6/1897	Jackson
596,096 A	12/1897	Watts
988,068 A	3/1911	Beardsley
1,362,142 A	12/1920	Rohrer
1,444,324 A	2/1923	Brooks
1,706,251 A	3/1929	Perry
1,750,577 A	3/1930	De Bracht
2,134,973 A	11/1938	Harwell
2,265,775 A	12/1941	McNamara
2,284,128 A	5/1942	Bush
2,523,575 A	9/1950	Kassel
2,914,850 A	12/1959	Kuhnl

2,980,996 A	4/1961	Beran
3,306,297 A	2/1967	Woorhees
3,568,315 A	3/1971	Smith
3,593,417 A	7/1971	West
3,872,591 A	3/1975	Quenot
4,017,969 A	4/1977	Stnebraker
4,040,181 A	8/1977	Johnson
4,261,104 A	4/1981	Cuscovitch
4,347,665 A	9/1982	Glesser
4,442,600 A	4/1984	Felix-Salichow
4,570,341 A	2/1986	Konneker
4,604,805 A	8/1986	Krieger
4,665,615 A	5/1987	Martinez
4,669,188 A	6/1987	Evrell
4,719,700 A	1/1988	Taylor, Jr.
4,805,303 A	2/1989	Gibbs
4,811,486 A	3/1989	Cunningham
4,920,644 A	5/1990	La Gattuta
4,936,014 A	6/1990	Shaanan et al.
5,044,079 A	9/1991	Gibbs

(Continued)

*Primary Examiner*—Philip S. Hyder  
(74) *Attorney, Agent, or Firm*—Joseph J. Previto

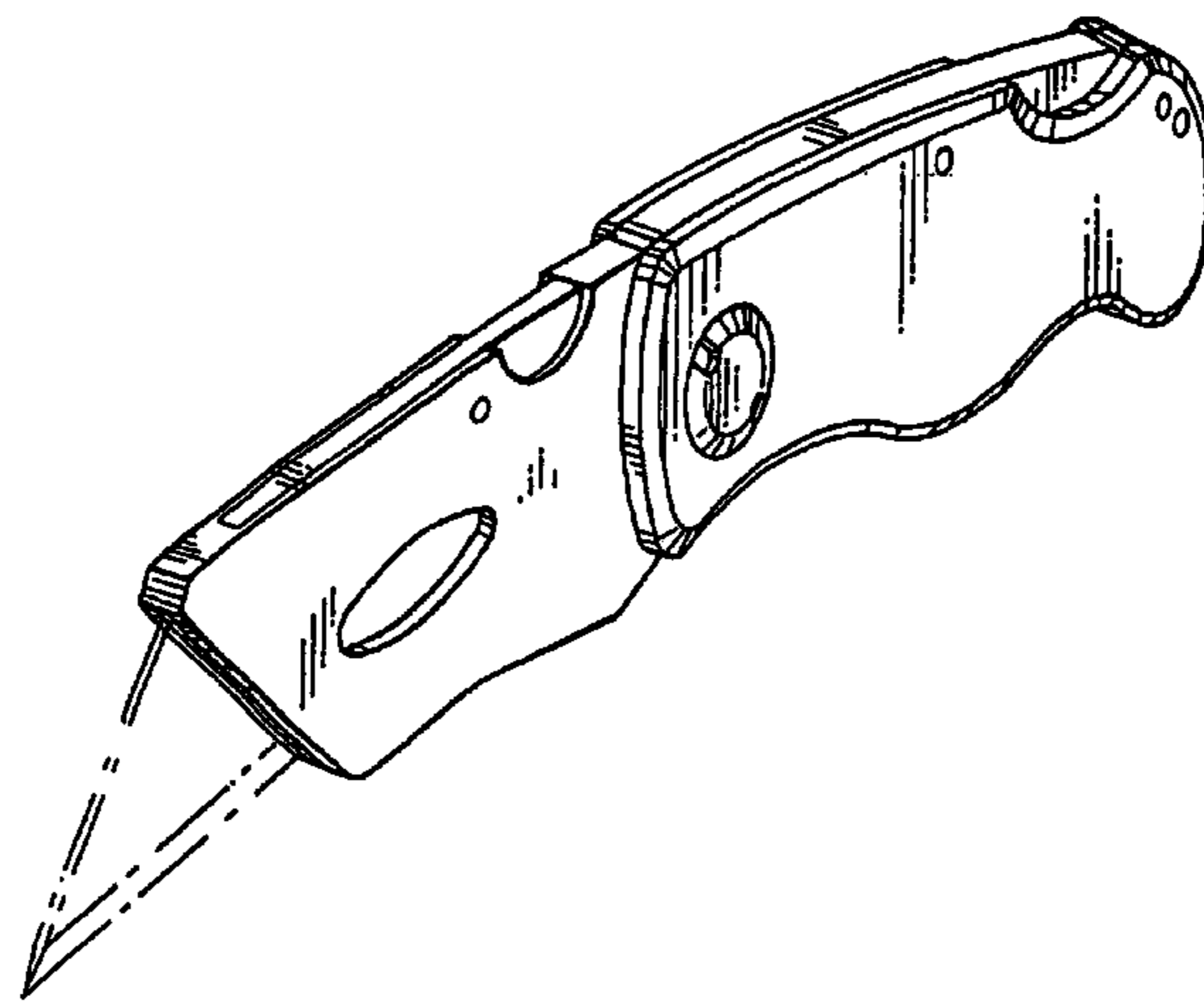
(57) **CLAIM**

The ornamental design for a folding utility knife, as shown and described.

**DESCRIPTION**

FIG. 1 is a perspective view of my new design.  
FIG. 2 is a top view thereof.  
FIG. 3 is a side view thereof.  
FIG. 4 is a front view thereof.  
FIG. 5 is a rear view thereof.  
FIG. 6 is a bottom view thereof.  
FIG. 7 is another side view thereof.  
FIG. 8 is a side view thereof showing it in a partially folded position; and,  
FIG. 9 is a side view thereof showing it in a folded position.  
The broken line showing the blade is for illustrative purposes only and forms no part of the claimed design.

**1 Claim, 4 Drawing Sheets**



# US D543,822 S

Page 2

---

U.S. PATENT DOCUMENTS			
5,095,624	A	3/1992	Ennis
5,125,157	A	6/1992	Howard
5,400,509	A	3/1995	Collins
5,511,310	A	4/1996	Sessions
5,769,094	A	6/1998	Jenkins, Jr.
5,815,927	A	10/1998	Collins
5,826,340	A	10/1998	Hull
5,966,816	A	10/1999	Roberson
5,979,059	A	11/1999	Leatherman
6,170,104	B1	1/2001	Seber
6,170,158	B1	1/2001	Daily
6,256,887	B1	7/2001	Osborne
6,256,888	B1	7/2001	Shuen
6,263,581	B1	7/2001	Forte
6,354,007	B1	3/2002	Scarla
6,370,778	B1	4/2002	Conable
6,446,341	B1	9/2002	Wang
6,487,740	B2	12/2002	Seber
D474,669	S	5/2003	Onion
6,574,868	B1	6/2003	Overholt
6,688,003	B2	2/2004	Scarla
D494,437	S	8/2004	Scarla
D495,939	S	9/2004	Ping
D501,782	S	2/2005	Ping
6,915,577	B2	7/2005	Scarla
D510,250	S	10/2005	Ping
6,968,622	B2	11/2005	Ping
2002/0059730	A1	5/2002	Flavigny
2004/0020057	A1	2/2004	Hughes
2004/0045171	A1	3/2004	Moizis
2004/0103541	A1	6/2004	Scarla

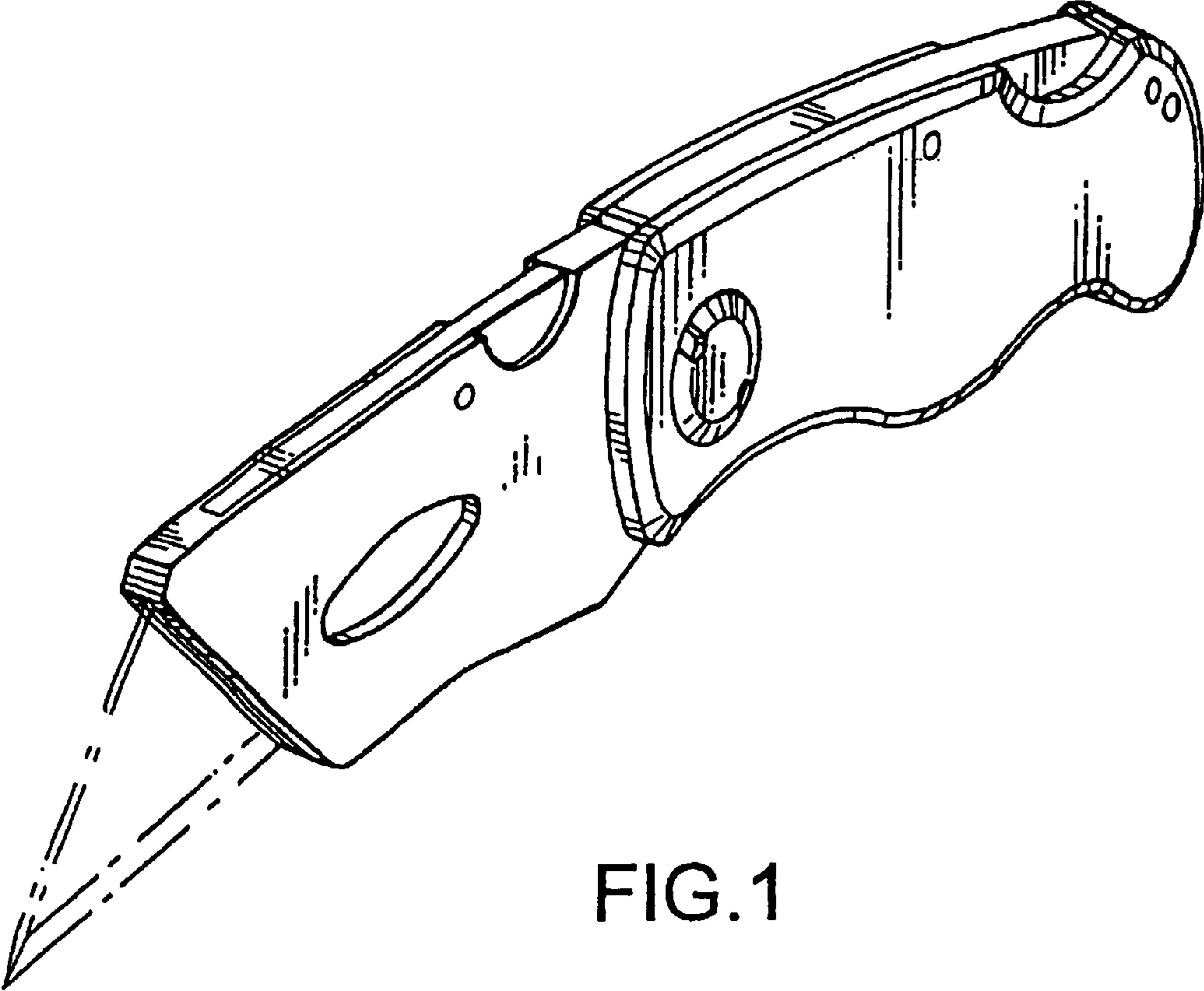


FIG. 1



FIG. 2

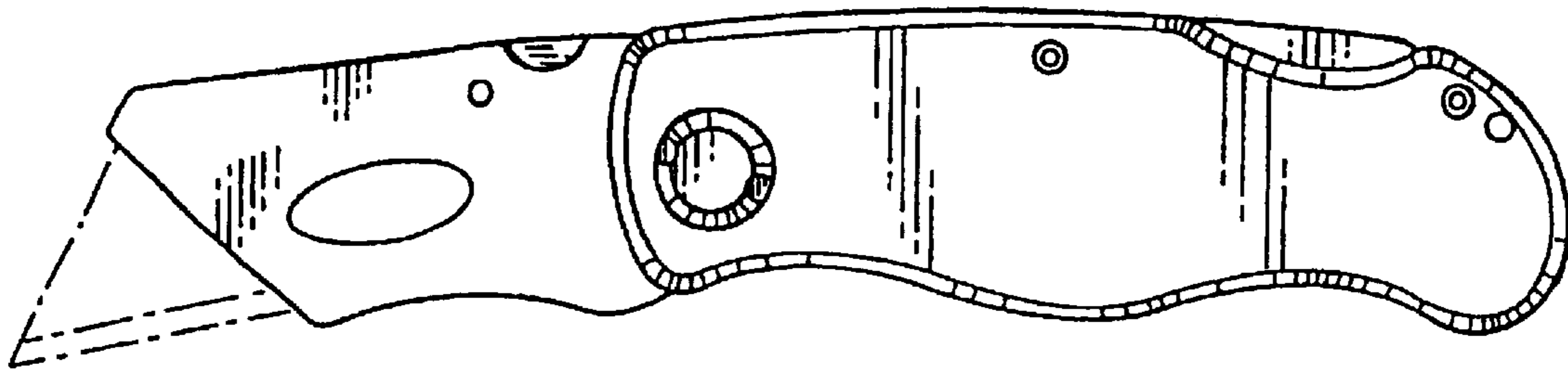


FIG. 3

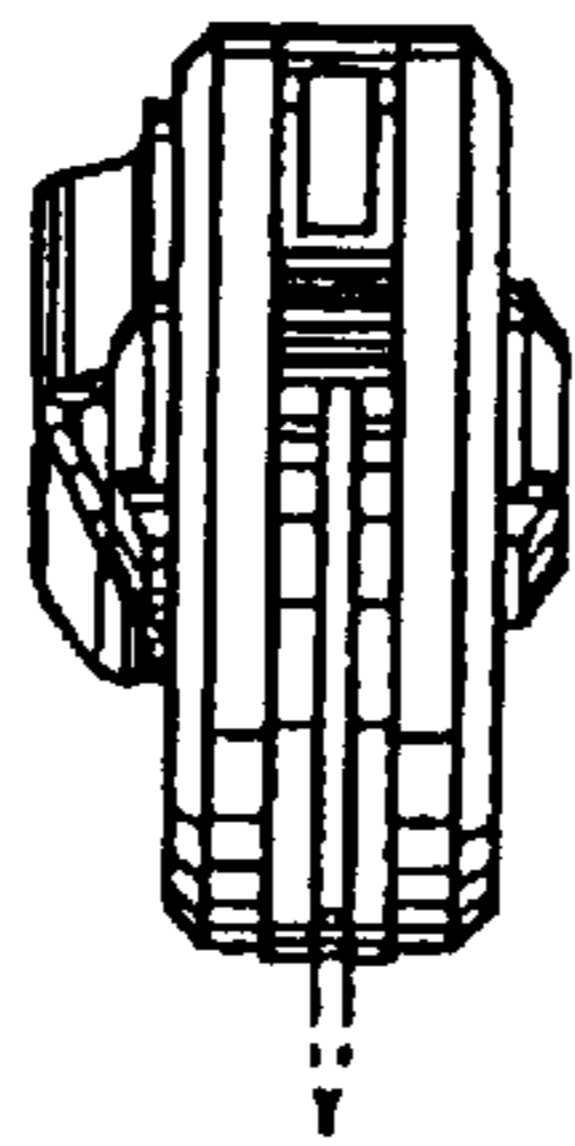


FIG. 4

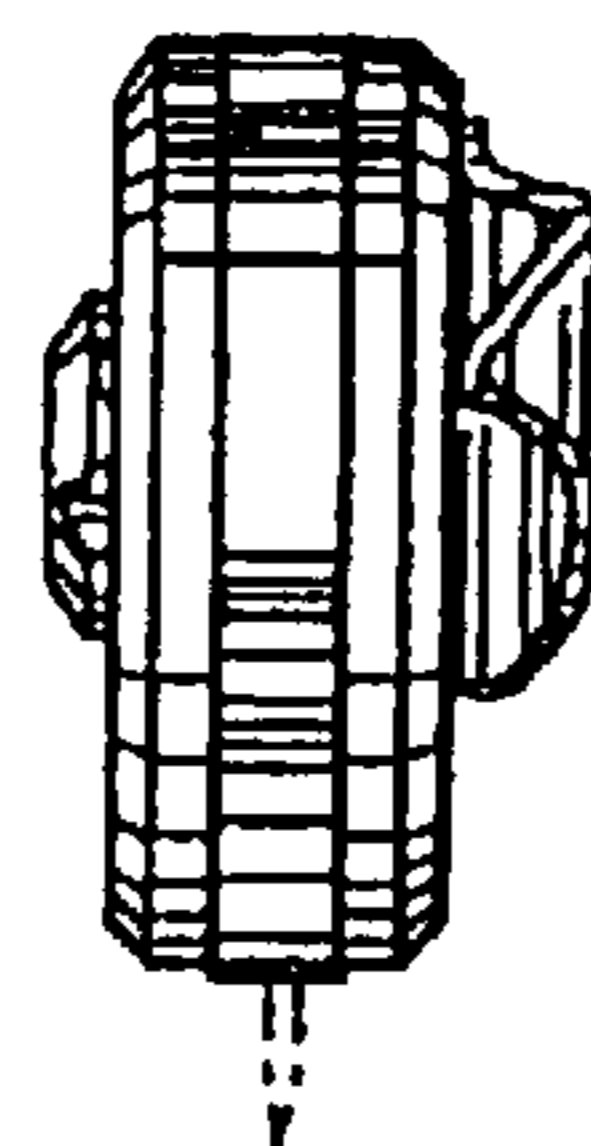


FIG. 5

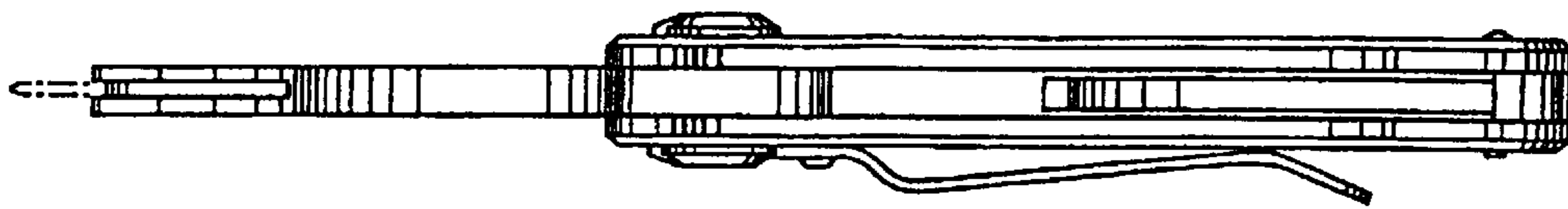


FIG. 6

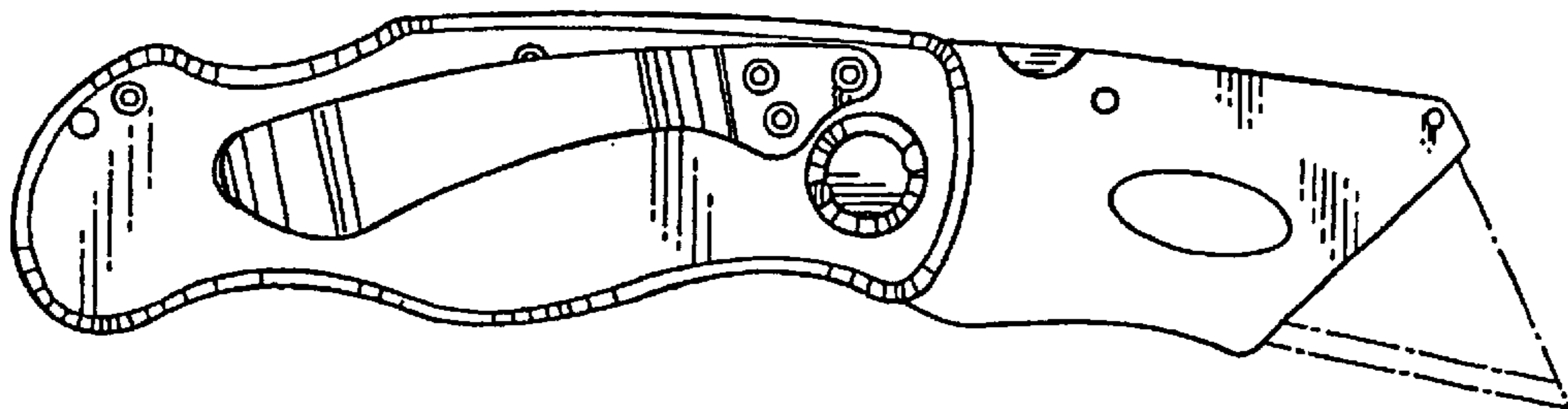


FIG. 7

