



US00D543821S

(12) **United States Design Patent**  
**Ranieri**

(10) **Patent No.:** **US D543,821 S**

(45) **Date of Patent:** **\*\* Jun. 5, 2007**

(54) **CLAMP**

(75) Inventor: **Eric Ranieri**, Becanson (FR)

(73) Assignee: **The Stanley Works**, New Britain, CT  
(US)

(\*\*) Term: **14 Years**

(21) Appl. No.: **29/265,909**

(22) Filed: **Sep. 12, 2006**

(51) **LOC (8) Cl.** ..... **08-05**

(52) **U.S. Cl.** ..... **D8/73**

(58) **Field of Classification Search** ..... D8/71-74,  
D8/394, 59; 269/3, 6, 143, 147-149, 95,  
269/240, 246, 247, 249; 81/355, 356, 353,  
81/487; 29/257, 276; D15/140

See application file for complete search history.

(56) **References Cited**

**U.S. PATENT DOCUMENTS**

|           |     |         |               |       |         |
|-----------|-----|---------|---------------|-------|---------|
| 749,732   | A * | 1/1904  | Hanson et al. | ..... | 269/146 |
| 772,254   | A * | 10/1904 | Reckweg       | ..... | 269/147 |
| 831,845   | A * | 9/1906  | Brickson      | ..... | 269/246 |
| 1,201,461 | A * | 10/1916 | Hargrave      | ..... | 269/147 |
| 4,339,113 | A * | 7/1982  | Vosper        | ..... | 269/147 |
| D286,369  | S * | 10/1986 | Hahn          | ..... | D8/72   |
| D335,805  | S * | 5/1993  | Ransom        | ..... | D8/73   |
| 5,405,124 | A * | 4/1995  | Mayer et al.  | ..... | 269/249 |

|              |      |         |               |       |        |
|--------------|------|---------|---------------|-------|--------|
| D382,471     | S *  | 8/1997  | Neff          | ..... | D8/394 |
| D418,033     | S *  | 12/1999 | Svedberg      | ..... | D8/72  |
| D477,979     | S *  | 8/2003  | Hermann       | ..... | D8/72  |
| D482,585     | S *  | 11/2003 | Brass et al.  | ..... | D8/72  |
| 2005/0184439 | A1 * | 8/2005  | Janson et al. | ..... | 269/6  |

\* cited by examiner

*Primary Examiner*—Louis Zarfaz

*Assistant Examiner*—David Muller

(74) *Attorney, Agent, or Firm*—Pillsbury Winthrop Shaw  
Pittman LLP

(57) **CLAIM**

The ornamental design for a clamp, as shown and described.

**DESCRIPTION**

FIG. 1 is a perspective illustration, from the front and right side, of a clamp according to my design;

FIG. 2 is a right elevation view thereof;

FIG. 3 is a left elevation view thereof;

FIG. 4 is a top plan view thereof;

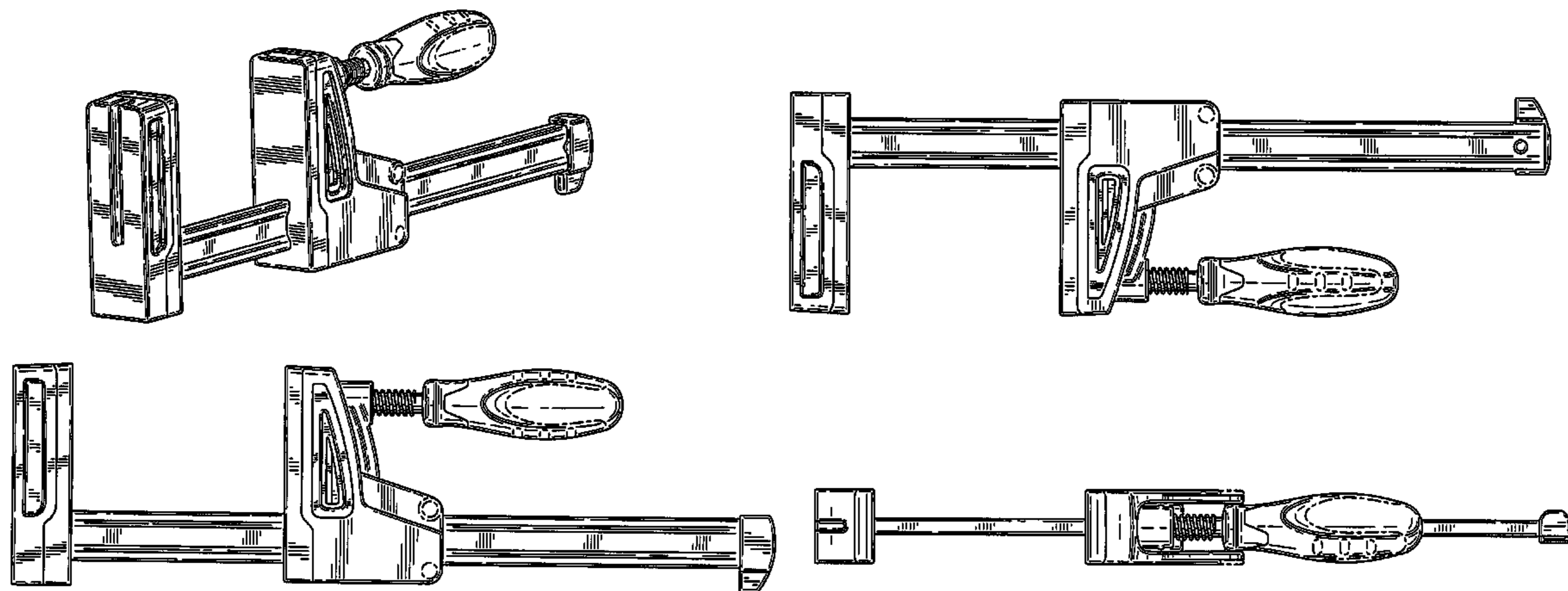
FIG. 5 is a bottom plan view thereof;

FIG. 6 is a front elevation view thereof; and,

FIG. 7 is a rear elevation view thereof.

In FIGS. 1-7, broken lines showing structure are for illustrative purposes only and form no part of the claimed design.

**1 Claim, 5 Drawing Sheets**



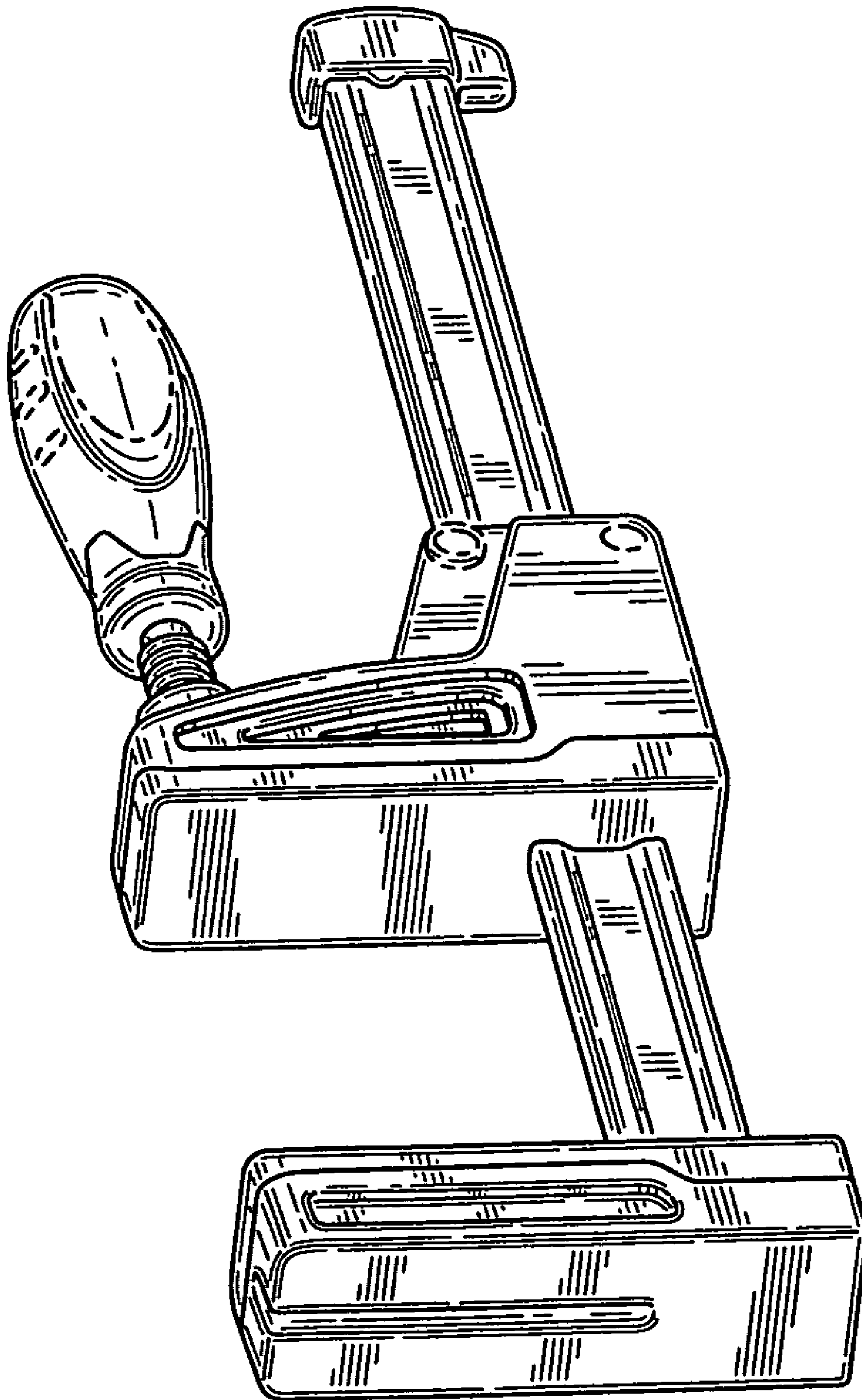


FIG. 1

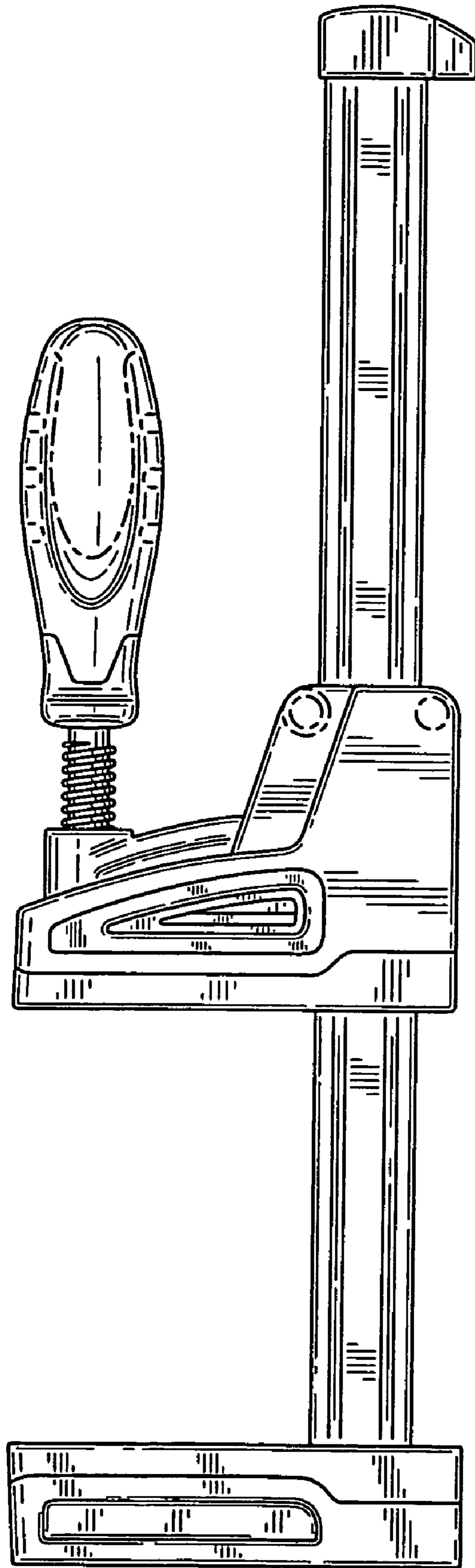


FIG. 2

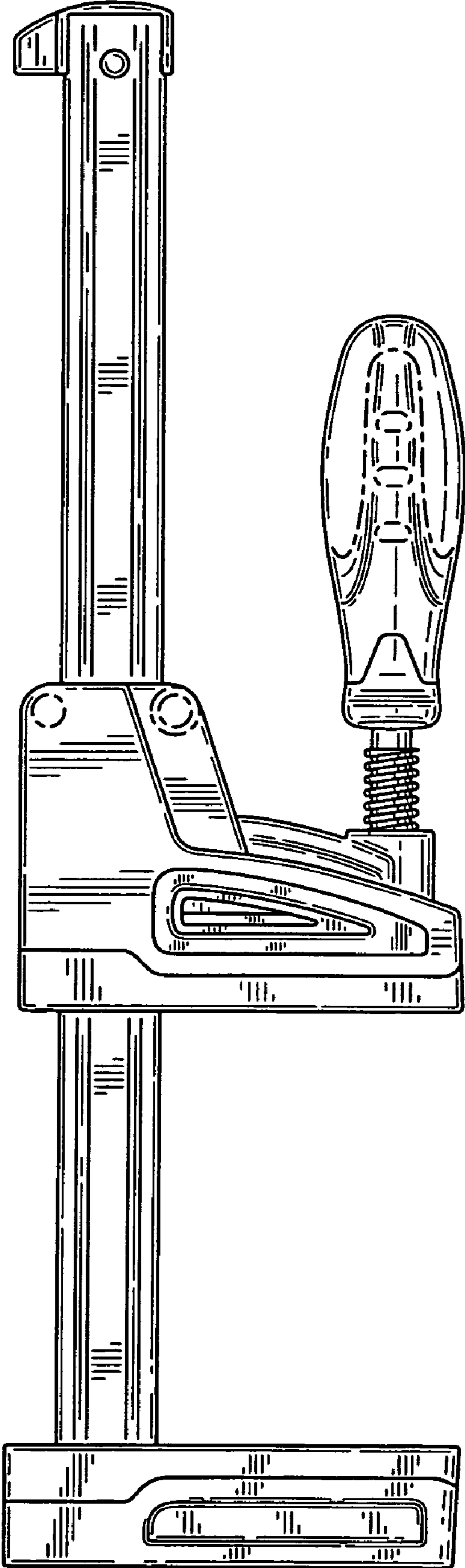


FIG. 3

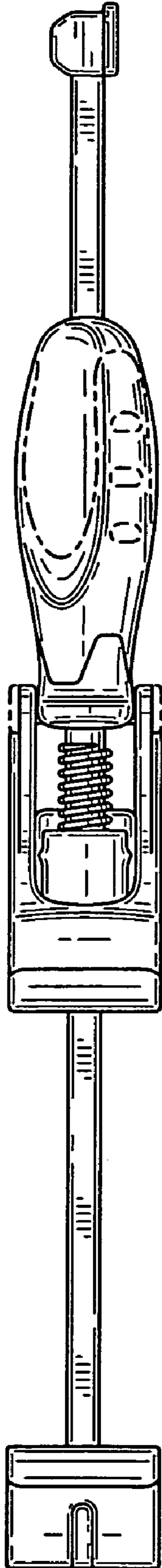


FIG. 4

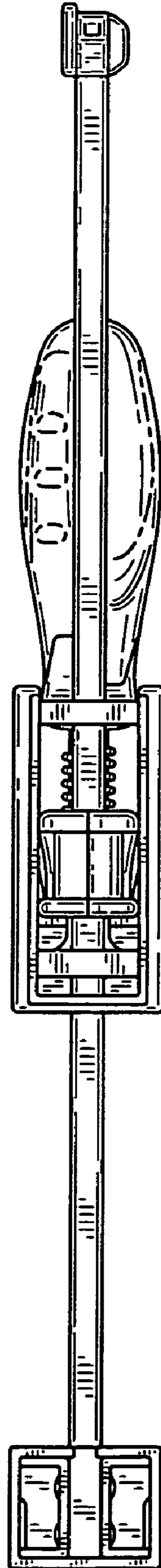


FIG. 5

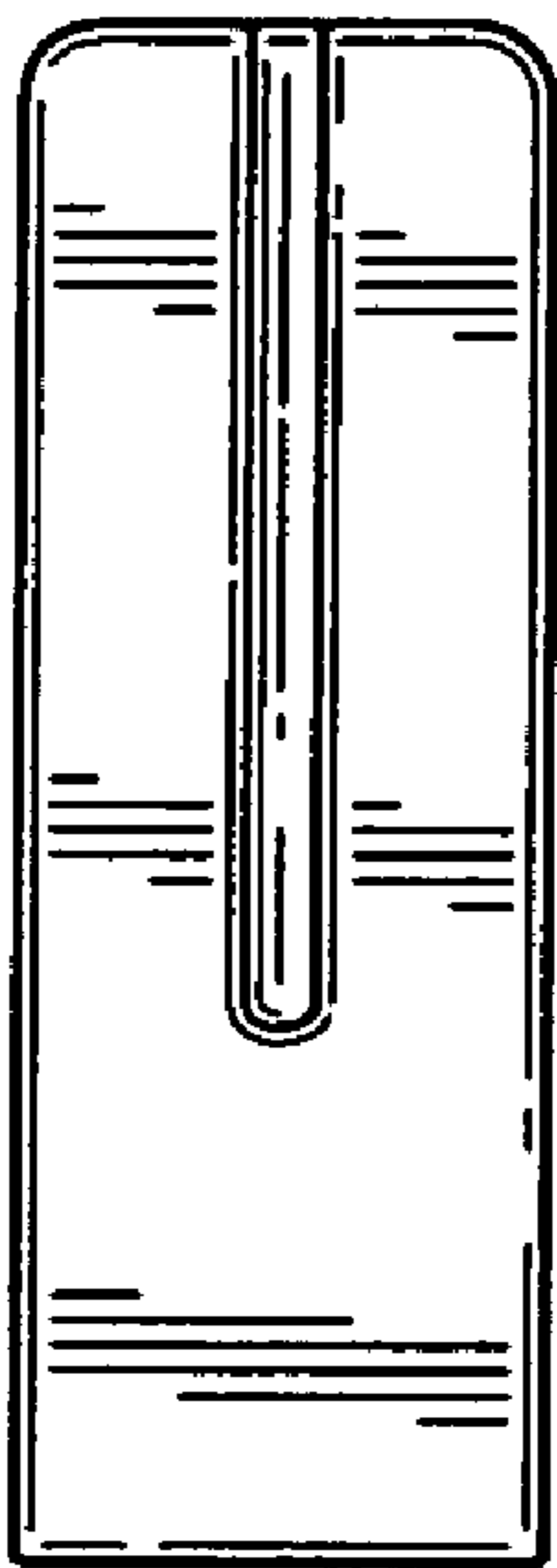


FIG. 6

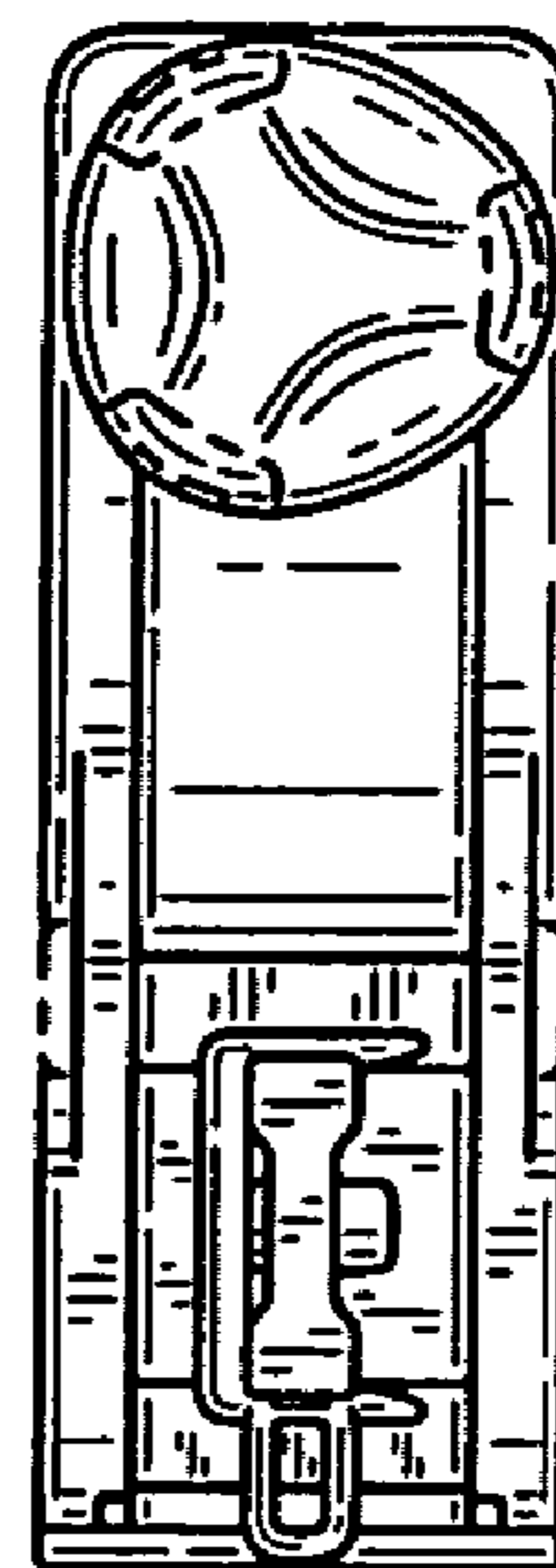


FIG. 7