



US00D543820S

(12) **United States Design Patent**
Brass et al.

(10) **Patent No.:** **US D543,820 S**
(45) **Date of Patent:** **** Jun. 5, 2007**

(54) **PIPE CLAMP FIXTURE SET**

(76) Inventors: **Robert L. Brass**, 45 Calhoun St.,
Washington, CT (US) 06794; **Steven W. Lewis**, 120 Washington Ave.,
Woodbury, CT (US) 06798

(**) Term: **14 Years**

(21) Appl. No.: **29/224,397**

(22) Filed: **Mar. 1, 2005**

(51) **LOC (8) Cl.** **08-05**

(52) **U.S. Cl.** **D8/72**

(58) **Field of Classification Search** D8/71-74,
D8/394, 59, 396, 60; 269/3, 6, 20, 143, 170,
269/147, 148, 165-167, 240, 246, 266, 203;
81/487; 248/62, 689, 124.2, 74.1; 29/256,
29/257, 276

See application file for complete search history.

(56) **References Cited**

U.S. PATENT DOCUMENTS

2,379,379	A *	6/1945	Schroder	248/124.2
3,618,930	A *	11/1971	Brandt et al.	269/20
D253,091	S *	10/1979	Fritz	D8/394
D279,646	S *	7/1985	Ferdinand et al.	D8/72
4,570,757	A *	2/1986	Marzullo	D8/72
D286,369	S *	10/1986	Hahn	D8/72
D354,491	S *	1/1995	Ditch	D8/396
D355,104	S *	2/1995	Sorensen et al.	D8/72
D365,263	S *	12/1995	Sorensen et al.	D8/72
D376,974	S *	12/1996	Chen	D8/396
D396,185	S *	7/1998	Fraser	D8/396
D408,727	S *	4/1999	Sherman	D8/396
D442,454	S *	5/2001	Kolpin	D8/72
D470,400	S *	2/2003	Fraser et al.	D8/396
D477,979	S *	8/2003	Hermann	D8/72
7,159,859	B2 *	1/2007	Fuller	269/170
2004/0041061	A1 *	3/2004	Krohmer	248/74.1

* cited by examiner

Primary Examiner—Louis Zarfaz
Assistant Examiner—David Muller
(74) *Attorney, Agent, or Firm*—Ira S. Dorman

(57) **CLAIM**

The ornamental design for a pipe clamp fixture set, as shown and described.

DESCRIPTION

FIG. 1 is a perspective view of the pipe clamp fixture set of the invention, a pipe section being shown by broken lines to illustrate environmental structure and constituting no part of the claimed design;

FIG. 2 is a top plan view of the fixed component of the fixture set;

FIG. 3 is a side elevational view of the fixed component of the fixture set, the opposite side elevational view being a mirror image thereof;

FIG. 4 is a bottom view of the fixed component of the fixture set;

FIG. 5 is an outer end view of the fixed component of the fixture set;

FIG. 6 is an inner end view of the fixed component of the fixture set;

FIG. 7 is a top plan view of the adjustable component of the fixture set;

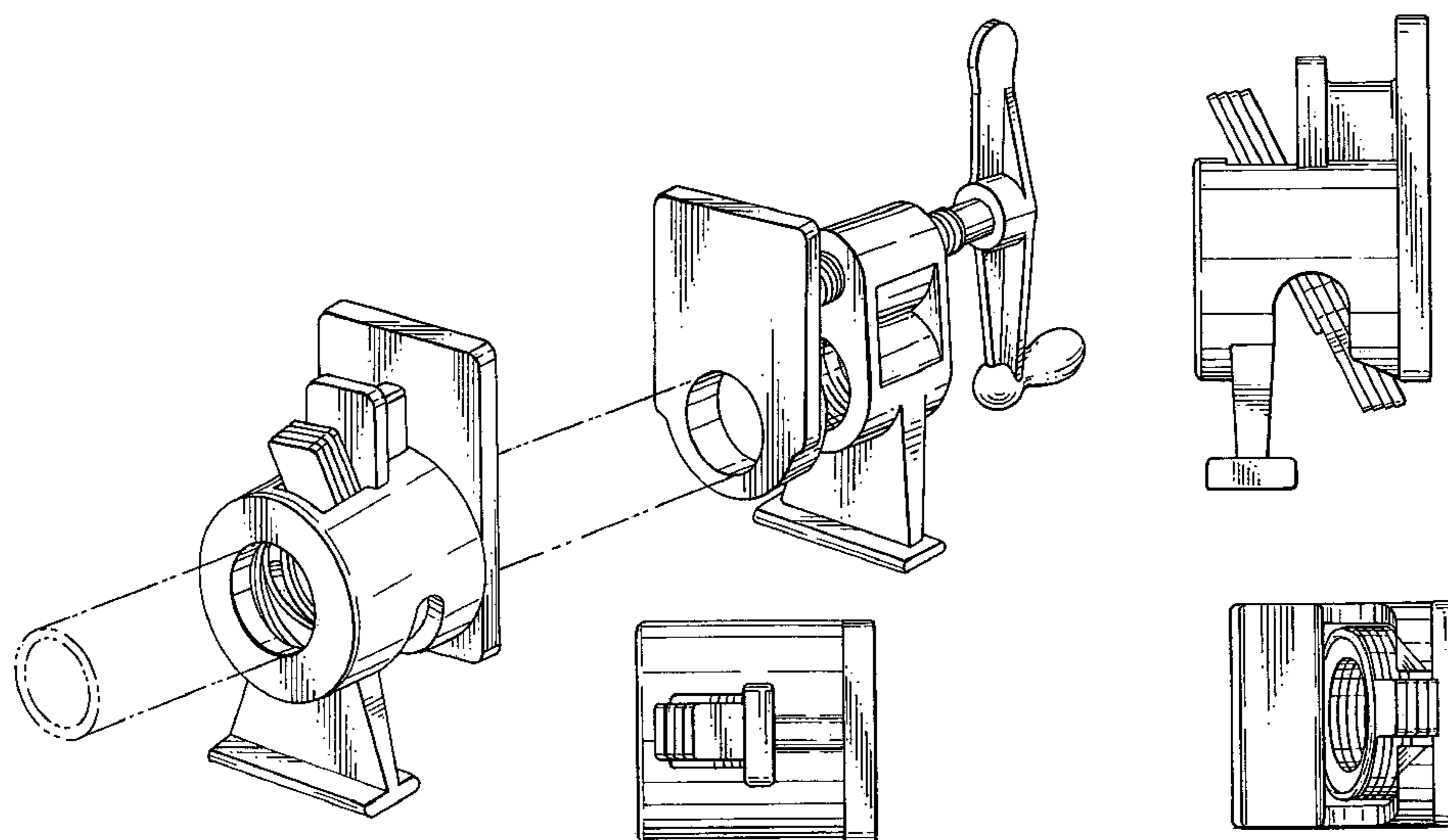
FIG. 8 is a side elevational view of the adjustable component of the fixture set, the opposite side elevational view being a mirror image thereof;

FIG. 9 is a bottom view of the adjustable component of the fixture set;

FIG. 10 is an outer end view of the adjustable component of the fixture set; and,

FIG. 11 is an inner end view of the adjustable component of the fixture set.

1 Claim, 4 Drawing Sheets



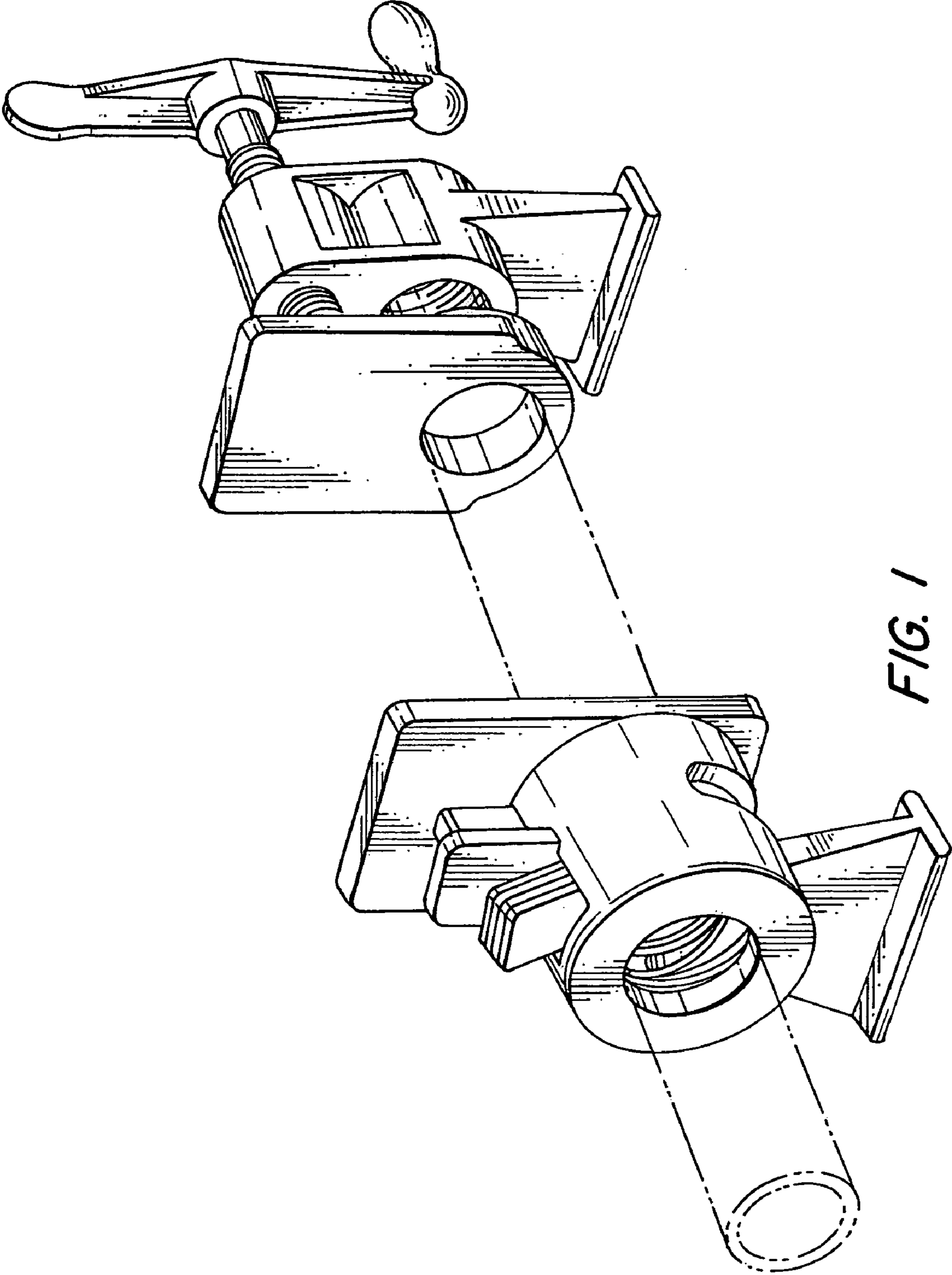


FIG. 1

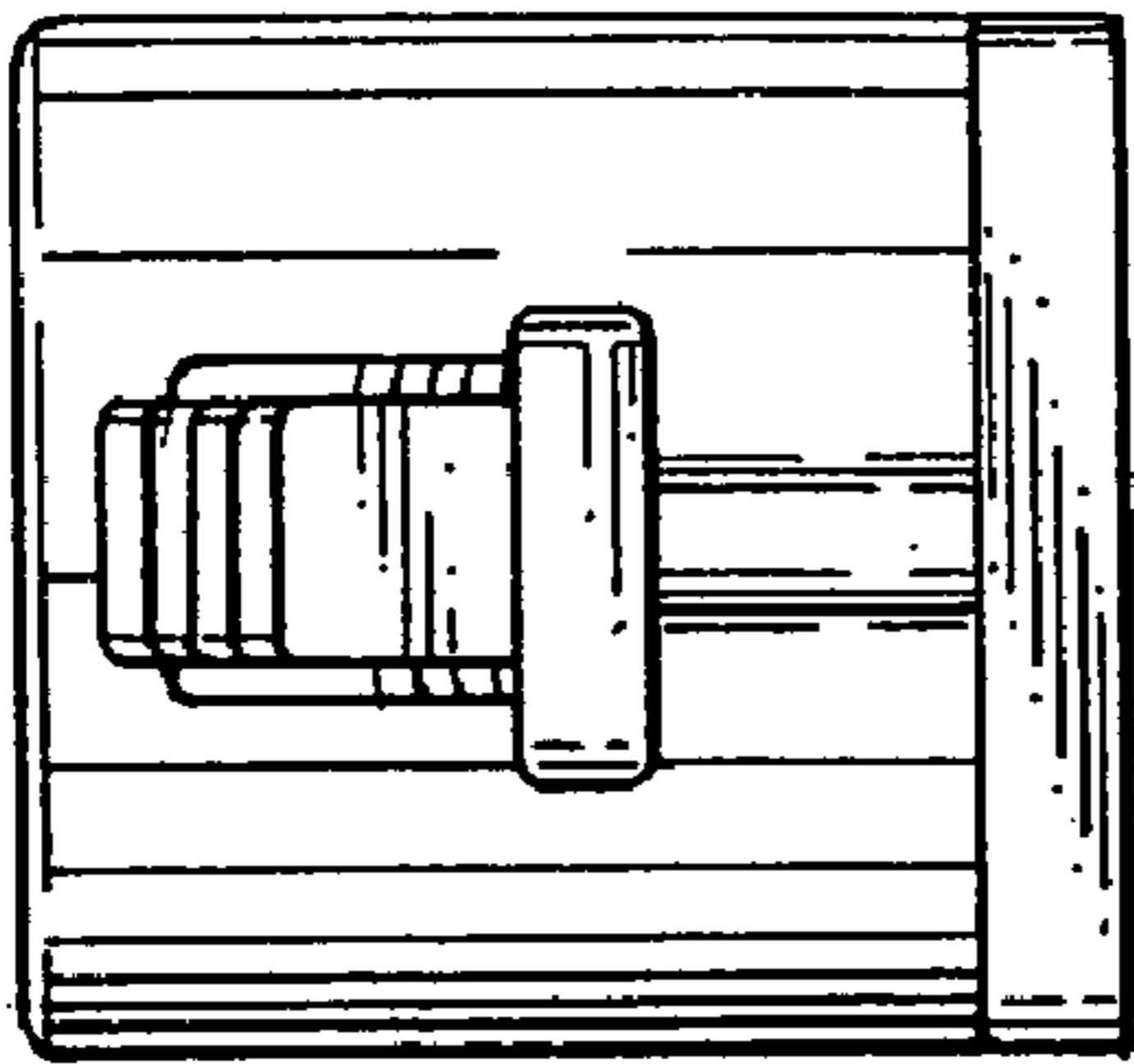


FIG. 2

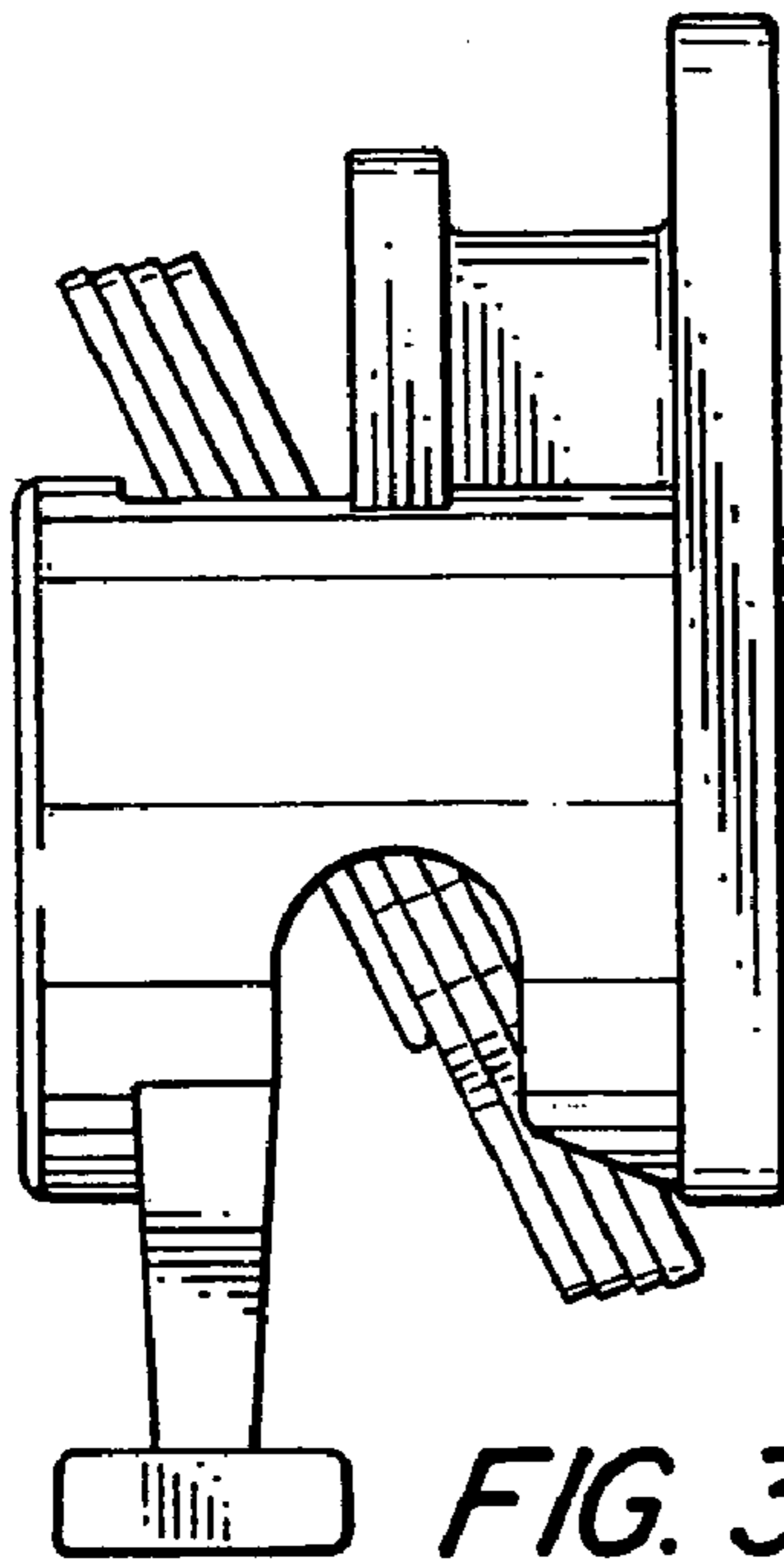


FIG. 3

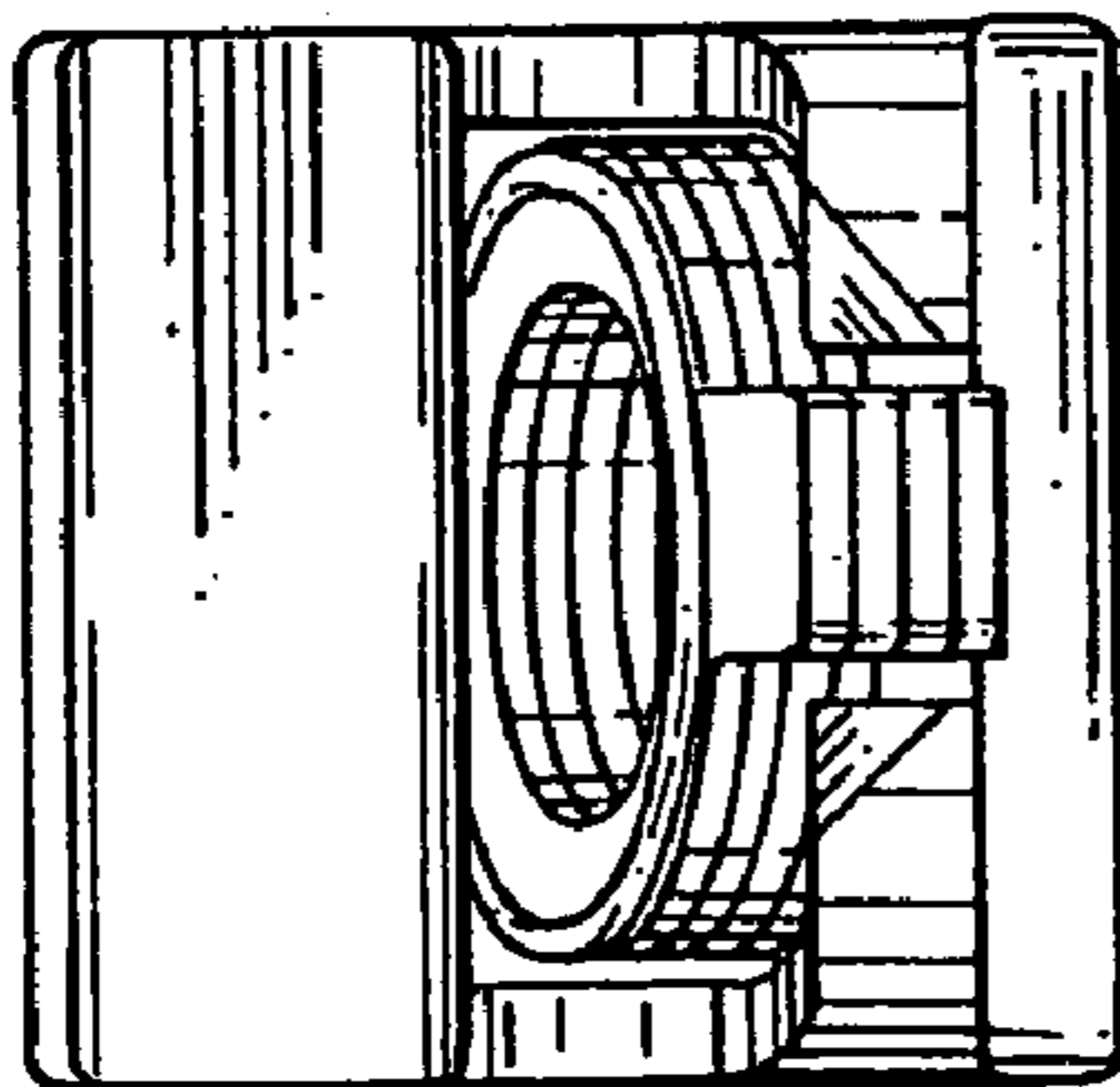


FIG. 4

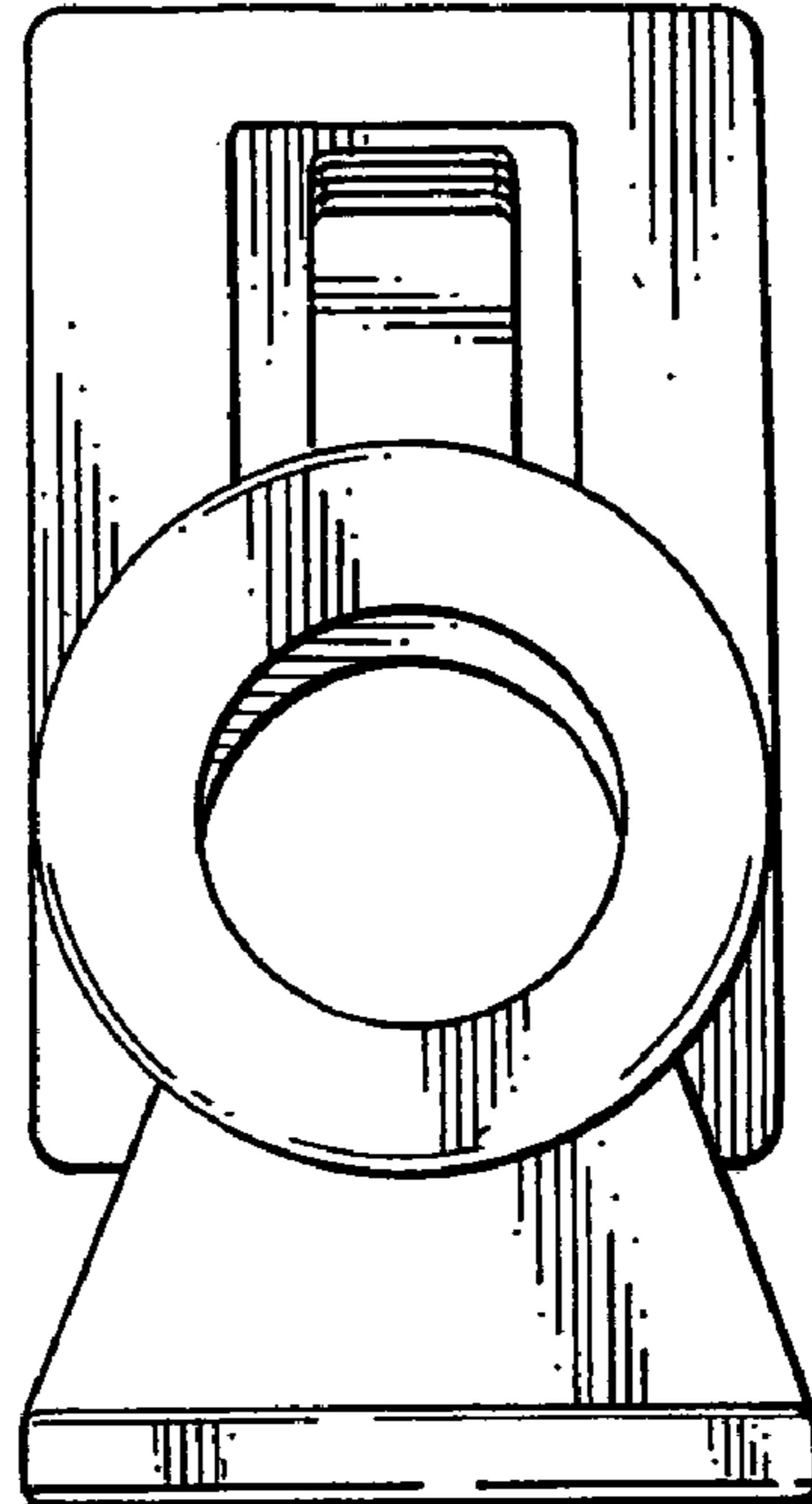


FIG. 5

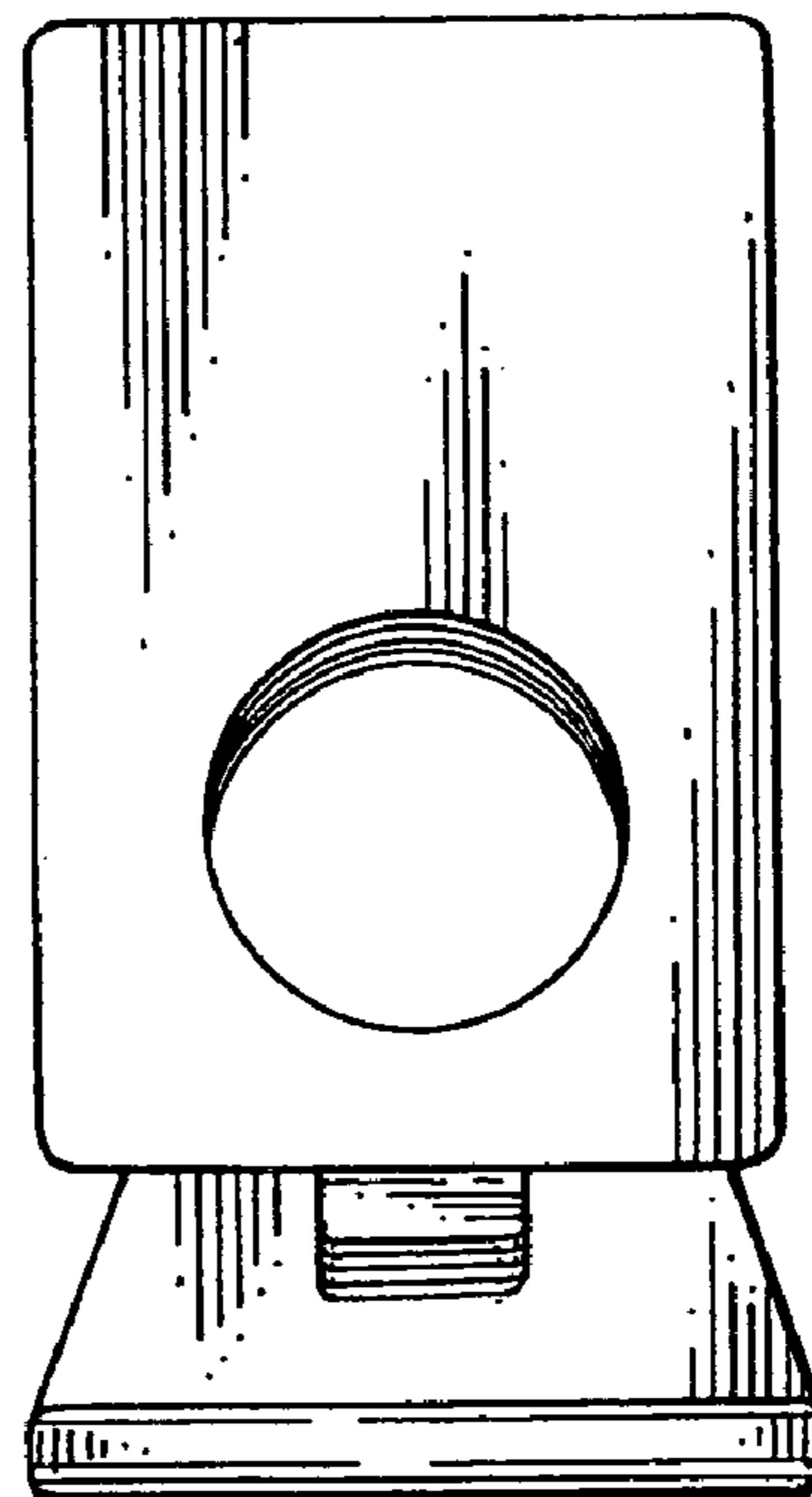


FIG. 6

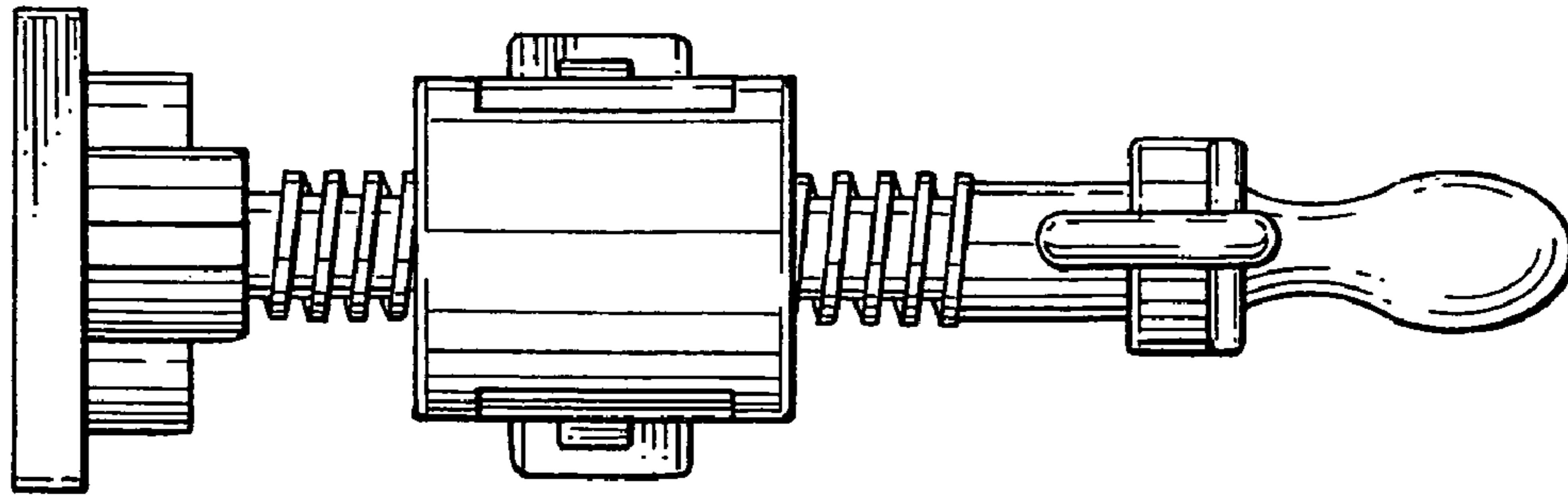


FIG. 7

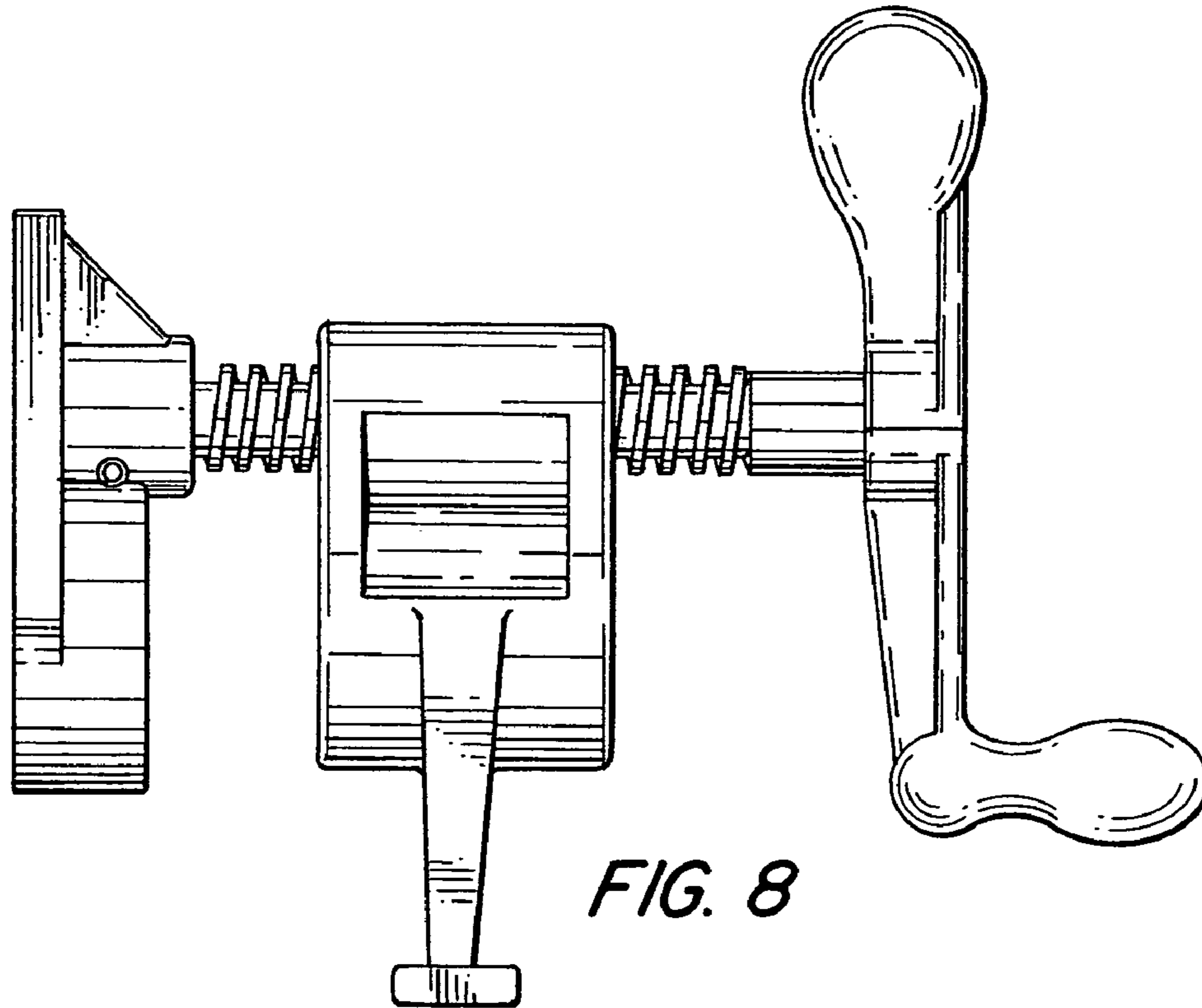


FIG. 8

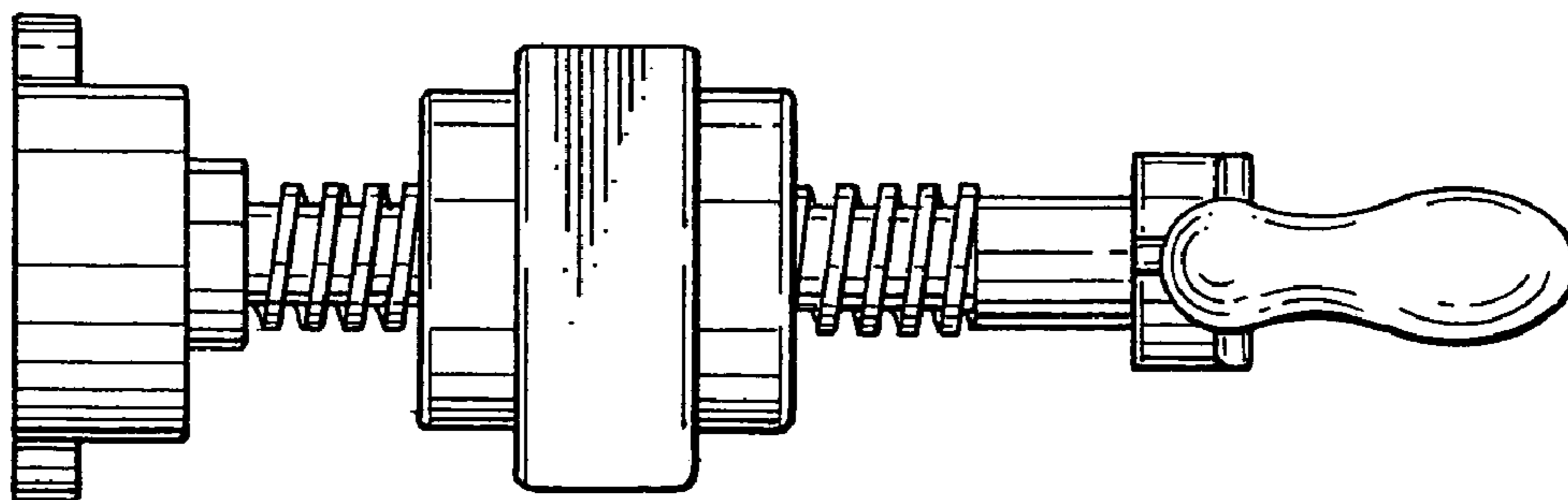


FIG. 9

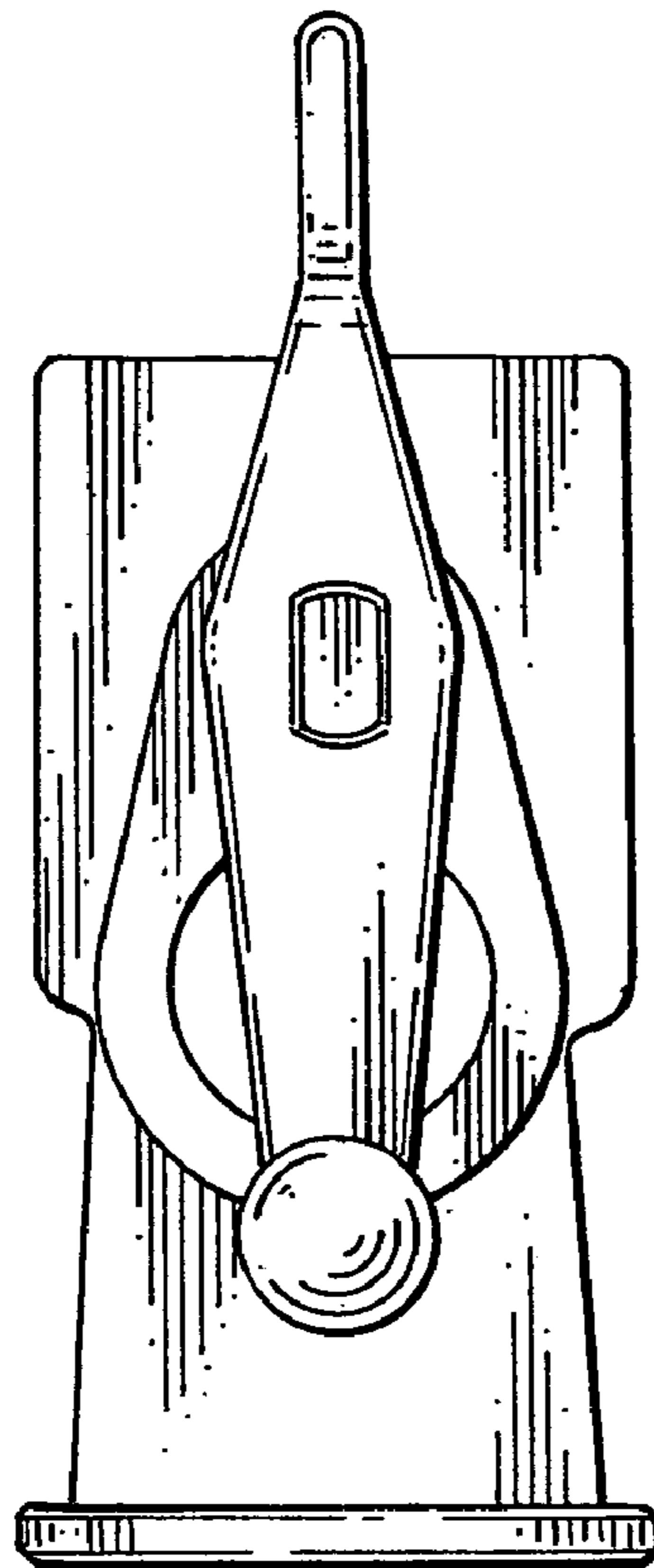


FIG. 10

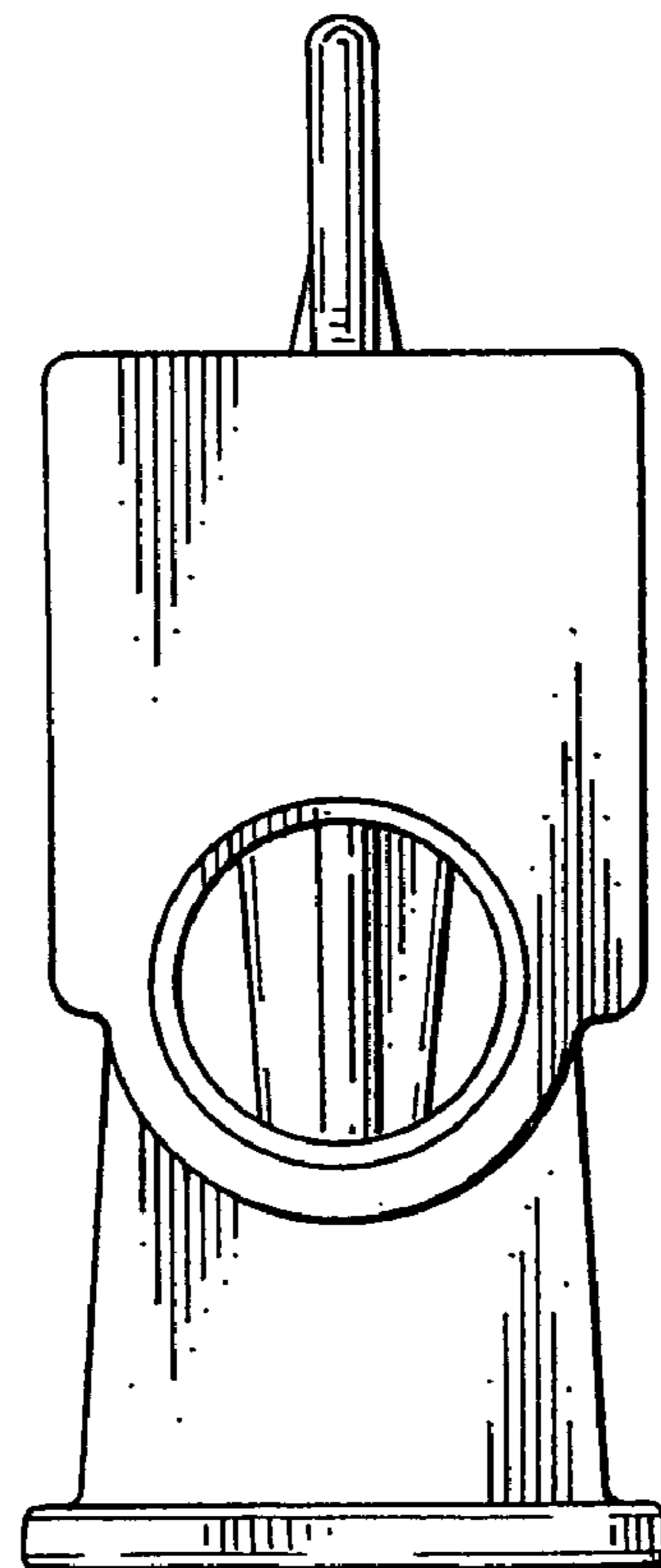


FIG. 11