

US00D543819S

(12) **United States Design Patent**  
**Lee**

(10) **Patent No.:** **US D543,819 S**

(45) **Date of Patent:** **\*\* Jun. 5, 2007**

(54) **POWDER ACTUATED TOOL**

(76) **Inventor:** **Cheng-Ho Lee**, No. 74, Paokao Rd.,  
Hsintien City, Taipei Hsien (TW)

(\*\*) **Term:** **14 Years**

(21) **Appl. No.:** **29/264,222**

(22) **Filed:** **Aug. 7, 2006**

(51) **LOC (8) Cl.** ..... **08-05**

(52) **U.S. Cl.** ..... **D8/69**

(58) **Field of Classification Search** ..... D8/14.1,  
D8/61, 62, 63, 64, 65, 66, 67, 68; 81/57.11,  
81/429, 464, 465, 466, 469, 489; 173/13,  
173/104, 114, 168, 169, 170, 171, 178, 201,  
173/211, 213, 217; 408/20, 124, 125, 234,  
408/241 R; 451/358; 310/50; 227/8, 113,  
227/114, 120, 130, 136, 142, 10

See application file for complete search history.

(56) **References Cited**

**U.S. PATENT DOCUMENTS**

D189,000	S	*	10/1960	Clay	.....	D8/68
4,512,222	A	*	4/1985	Christophersen	.....	81/464
4,687,126	A	*	8/1987	Brosius et al.	.....	227/10
D296,865	S	*	7/1988	Roxton	.....	D6/68
D298,509	S	*	11/1988	Brosius et al.	.....	D8/68
D303,488	S	*	9/1989	Fonck	.....	D8/68
D314,320	S	*	2/1991	Brosius et al.	.....	D8/67
5,119,634	A	*	6/1992	Berry et al.	.....	60/632
5,172,773	A	*	12/1992	Meister et al.	.....	173/170
5,180,019	A	*	1/1993	Thiry et al.	.....	173/168
5,237,613	A	*	8/1993	Berry et al.	.....	60/632
5,657,919	A	*	8/1997	Berry et al.	.....	227/10
5,699,948	A	*	12/1997	Lee	.....	227/10
D396,789	S	*	8/1998	Murray	.....	D8/68

6,039,229	A	*	3/2000	Pfister et al.	.....	227/10
D474,089	S	*	5/2003	Huang	.....	D8/64
6,834,788	B2	*	12/2004	Popovich et al.	.....	227/120
6,981,630	B2	*	1/2006	Popovich et al.	.....	227/9
7,014,087	B1	*	3/2006	White et al.	.....	227/10
7,021,511	B2	*	4/2006	Popovich et al.	.....	227/8
2004/0050897	A1	*	3/2004	Popovich et al.	.....	227/10
2005/0109813	A1	*	5/2005	Ehmig et al.	.....	227/10

**FOREIGN PATENT DOCUMENTS**

GB 2040313 S \* 7/1994

\* cited by examiner

*Primary Examiner*—T. Chase Nelson

(74) *Attorney, Agent, or Firm*—Rosenberg, Klein & Lee

(57) **CLAIM**

The ornamental design for a powder actuated tool, as shown and described.

**DESCRIPTION**

FIG. 1 is a perspective view of a powder actuated tool, showing my new design;

FIG. 2 is a front view thereof;

FIG. 3 is a rear view thereof;

FIG. 4 is a left view thereof;

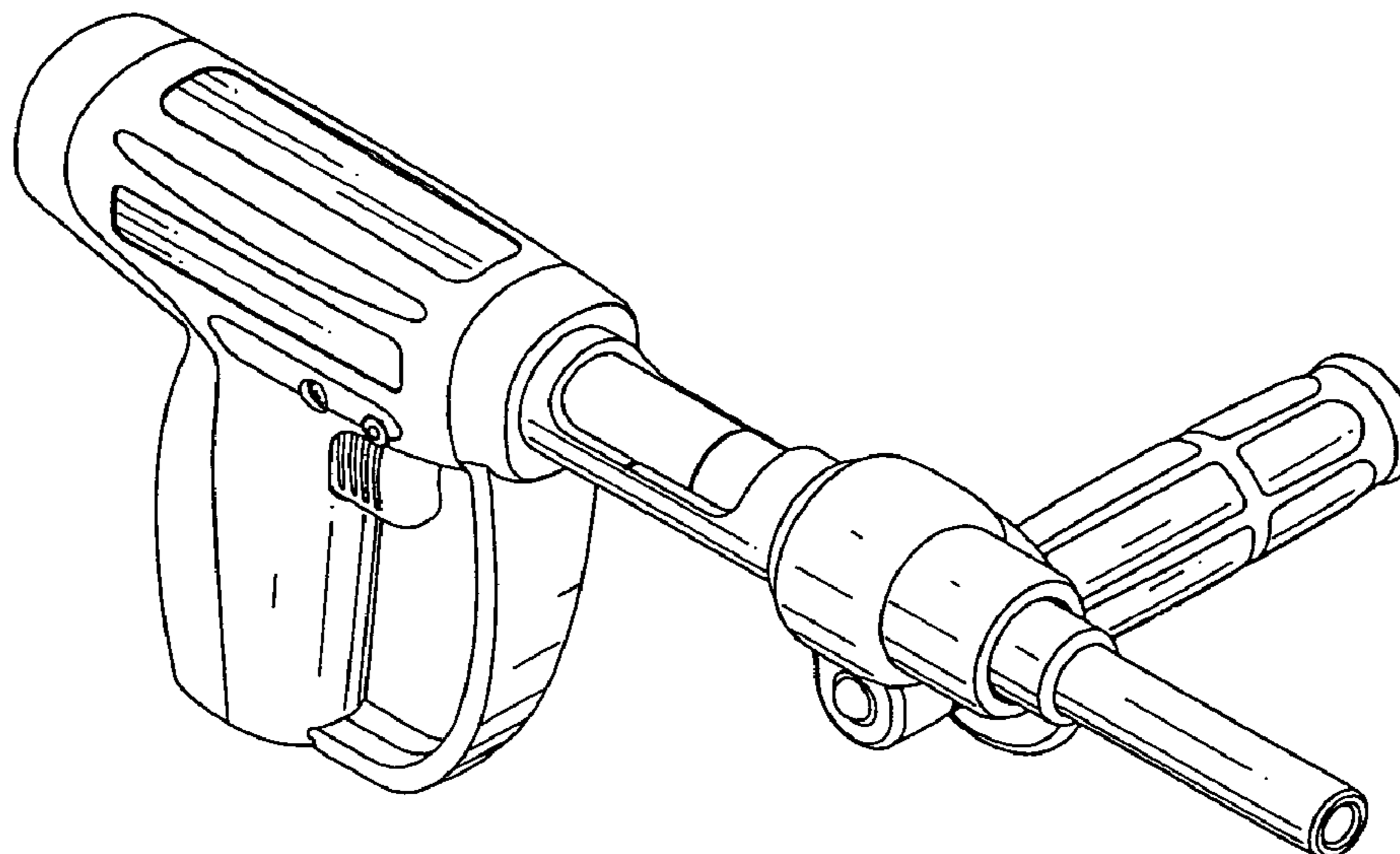
FIG. 5 is a right view thereof;

FIG. 6 is a top view thereof;

FIG. 7 is a bottom view thereof; and,

FIG. 8 is a perspective view thereof, with the handle near the right side of the powder actuated tool shown in an alternate position.

**1 Claim, 8 Drawing Sheets**



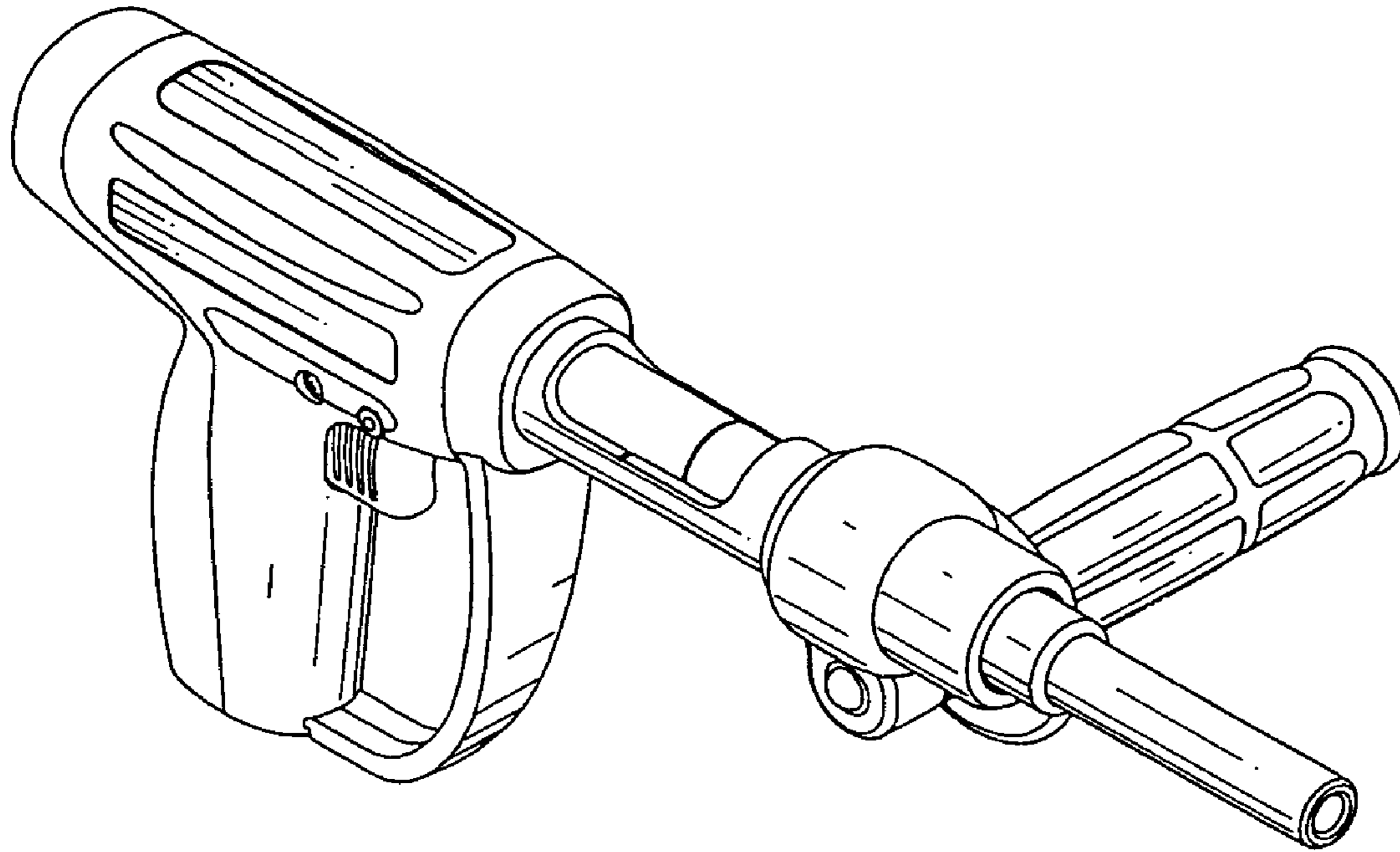


FIG.1

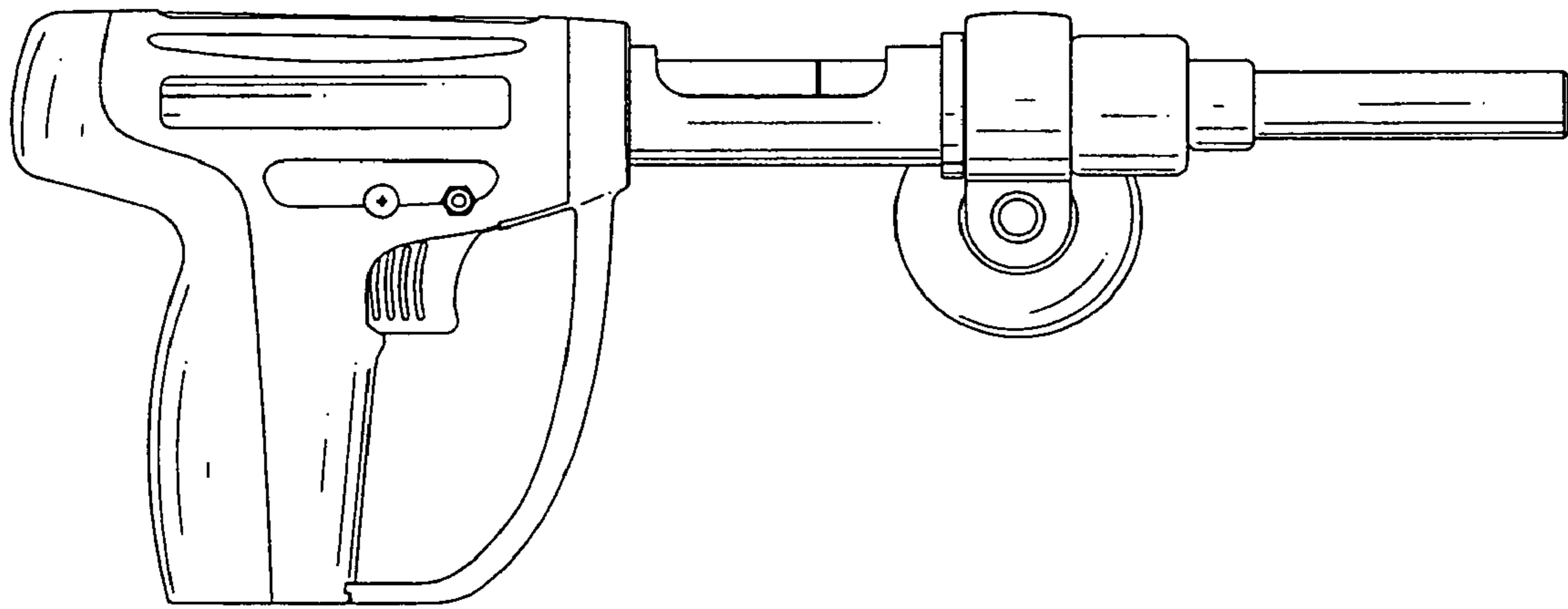


FIG.2

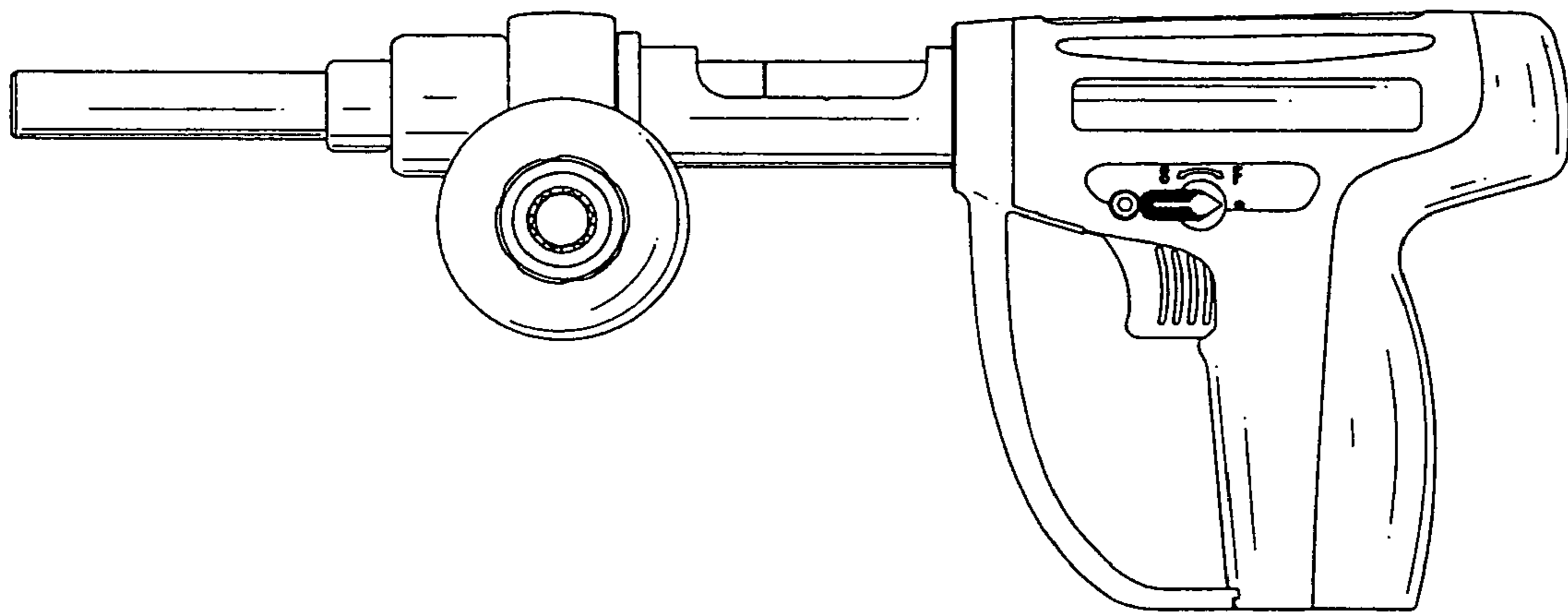


FIG.3

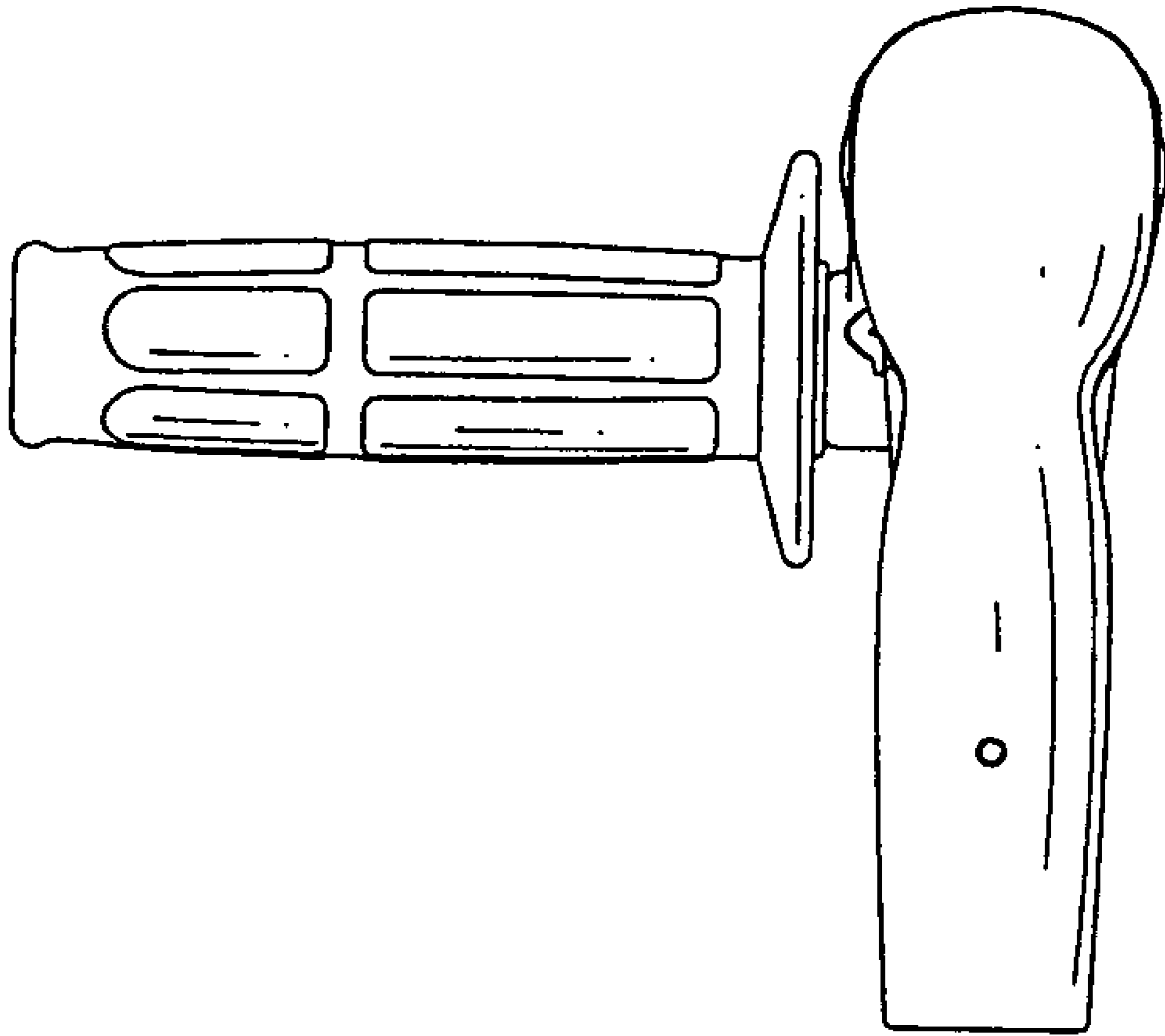


FIG. 4

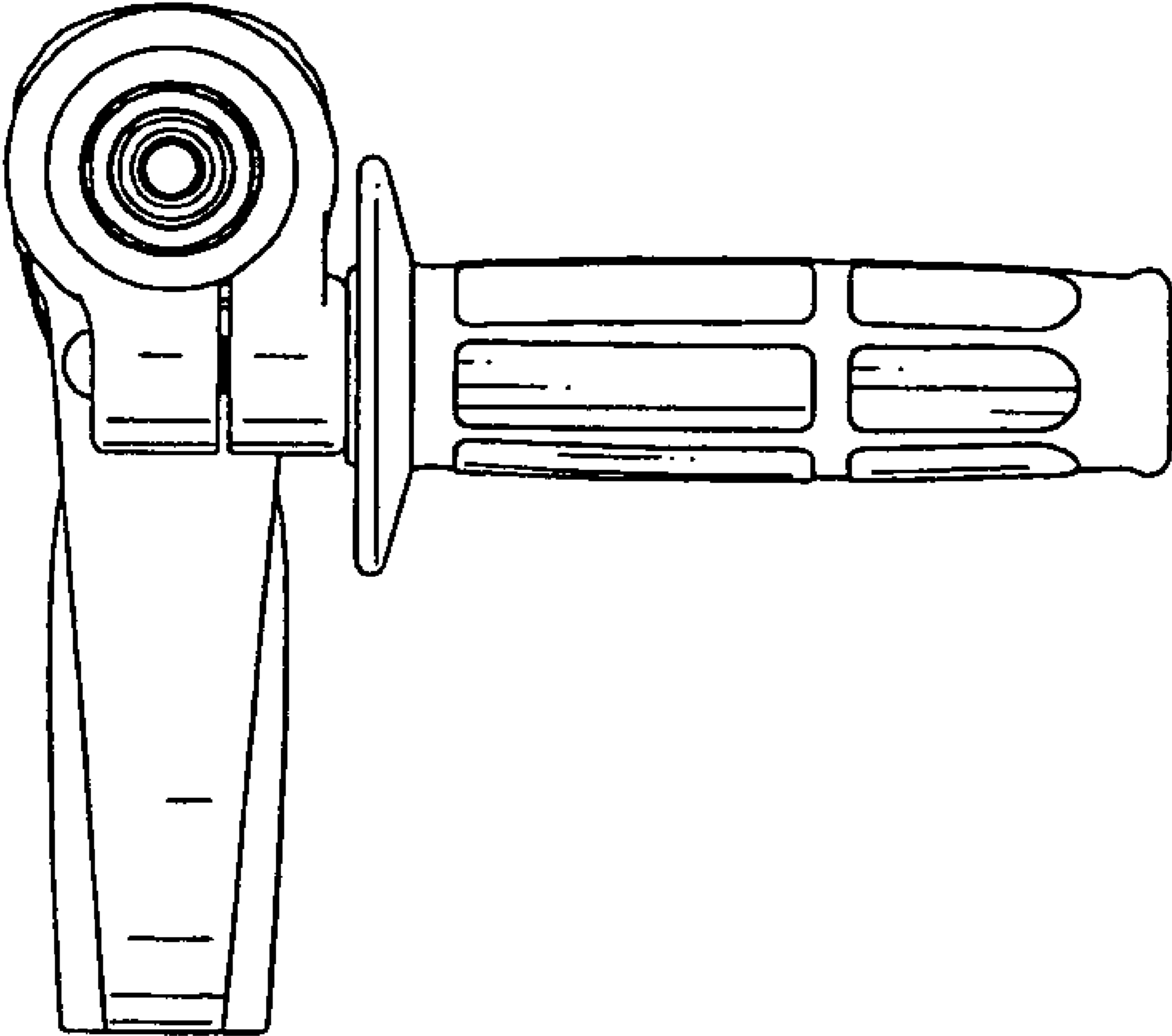


FIG.5

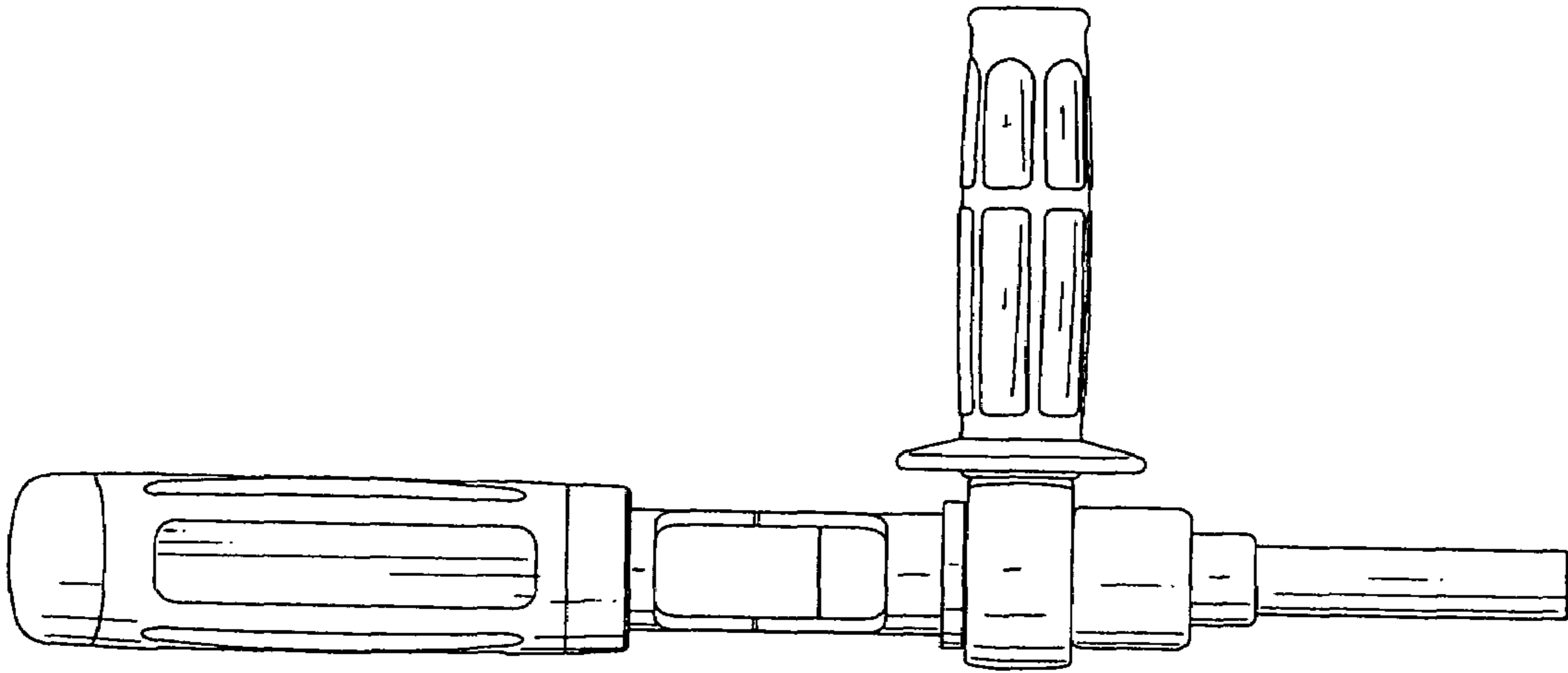


FIG.6

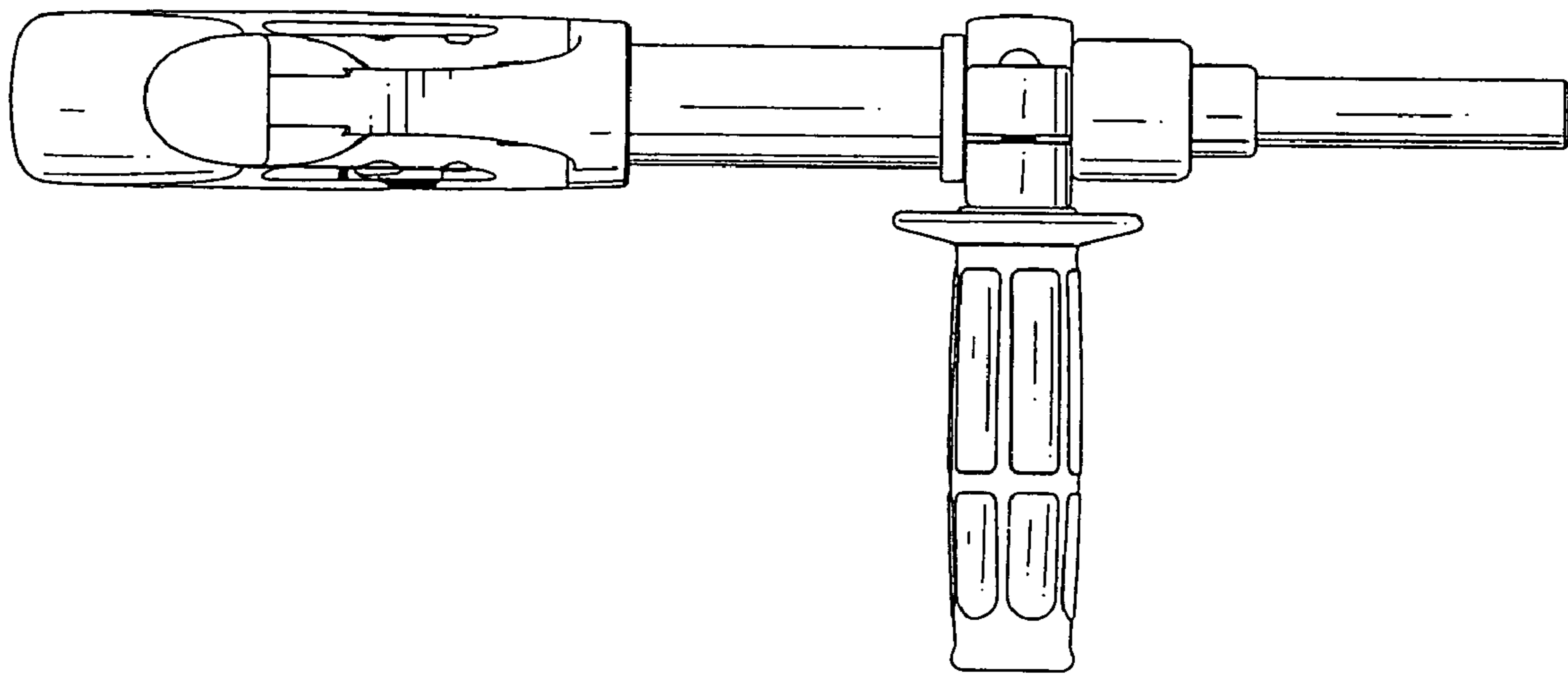


FIG.7



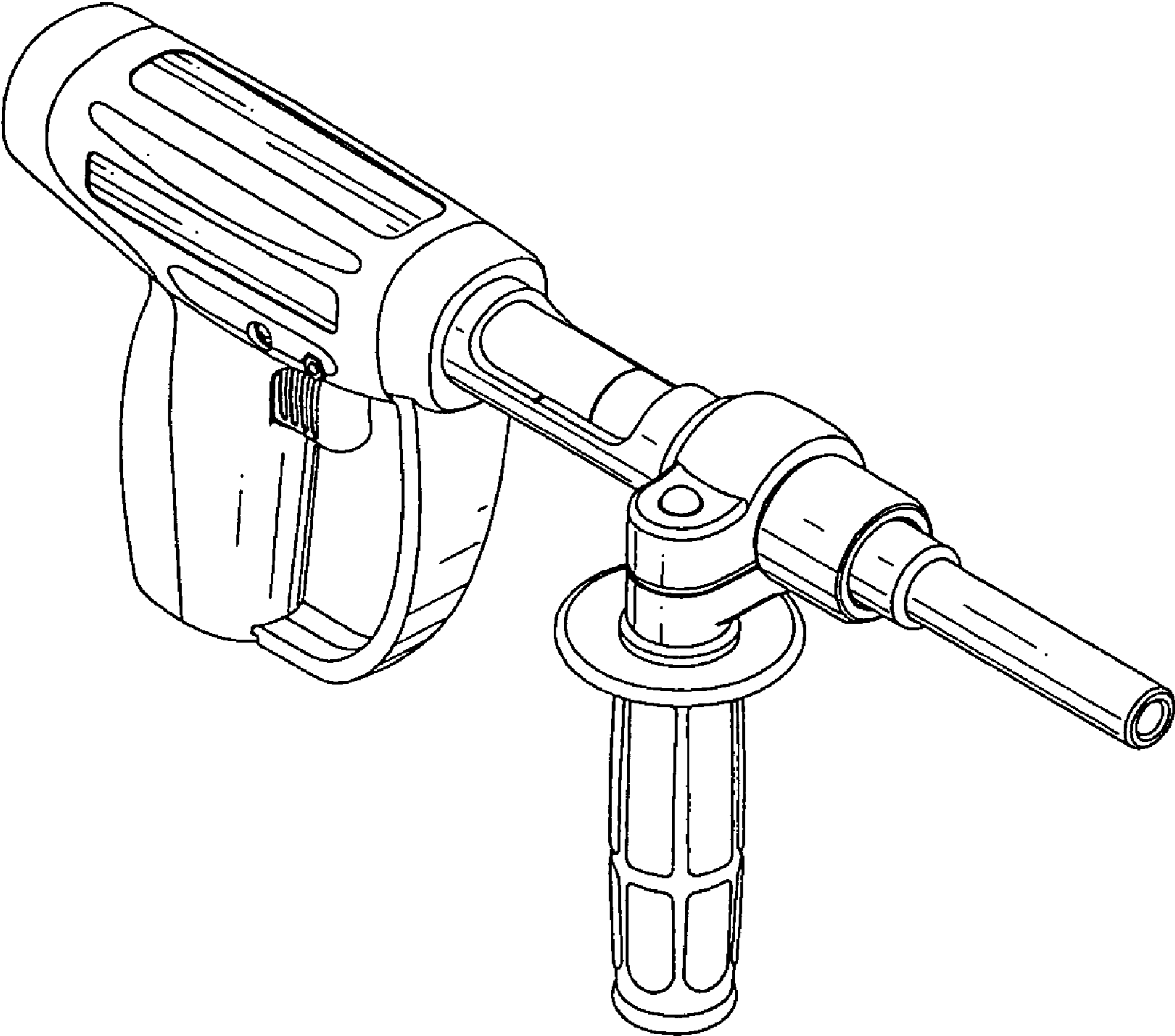


FIG.8