

US00D543811S

(12) **United States Design Patent**  
**Lueschen**

(10) **Patent No.:** **US D543,811 S**  
(45) **Date of Patent:** **\*\* Jun. 5, 2007**

(54) **PNEUMATIC TENSIONING AND CUTOFF TOOL**

(75) Inventor: **William K. Lueschen**, Cedarburg, WI (US)

(73) Assignee: **HellermannTyton Corporation**, Milwaukee, WI (US)

(\*\*) Term: **14 Years**

(21) Appl. No.: **29/228,135**

(22) Filed: **Apr. 20, 2005**

(51) **LOC (8) Cl.** ..... **08-05**

(52) **U.S. Cl.** ..... **D8/44; D8/51**

(58) **Field of Classification Search** ..... D8/14,  
D8/44, 51, 68; 140/123.6, 93.2, 93; 248/691,  
248/689, 692

See application file for complete search history.

(56) **References Cited**

**U.S. PATENT DOCUMENTS**

2,510,812 A	6/1950	Garland et al.
2,593,789 A	4/1952	Pearson
2,713,279 A	7/1955	Harris
3,130,765 A	4/1964	Neuschotz
3,168,119 A	2/1965	Schwester et al.
3,254,680 A	6/1966	Caveney et al.
3,284,076 A	11/1966	Gibson
3,332,454 A	7/1967	Lawson et al.
3,344,815 A	10/1967	Lawson et al.
RE26,492 E	11/1968	Caveney et al.
3,589,406 A	6/1971	Moberg
3,610,296 A	10/1971	Kabel
3,645,302 A	2/1972	Caveney et al.
3,661,187 A	5/1972	Caveney et al.
3,712,346 A	1/1973	Noorily
3,735,784 A	5/1973	Obuch et al.
3,752,199 A	8/1973	Fekete
3,782,426 A	1/1974	Morgan et al.
3,830,263 A	8/1974	Benfer
3,845,554 A	11/1974	Joanis et al.
3,853,155 A	12/1974	Kabel
3,865,156 A	2/1975	Moody et al.

3,931,838 A	1/1976	Bakermans
3,993,109 A	11/1976	Fortsch
4,064,918 A	12/1977	Pobuta et al.
4,081,002 A	3/1978	Violi
4,093,005 A	6/1978	Eberhardt et al.
4,129,157 A	12/1978	Sciolotto
RE29,973 E	4/1979	Paradis
4,192,358 A	3/1980	Bone

(Continued)

*Primary Examiner*—Philip S. Hyder

(74) *Attorney, Agent, or Firm*—Ryan Kromholz & Manion, S.C.

(57) **CLAIM**

The ornamental design for a pneumatic tensioning and cutoff tool, as shown and described.

**DESCRIPTION**

FIG. 1 is a perspective view of a first embodiment of my invention;

FIG. 1A is a perspective view similar to that of FIG. 1;

FIG. 2 is a front elevation view thereof;

FIG. 3 is a rear elevation view thereof;

FIG. 4 is a right elevation view thereof;

FIG. 5 is a left elevation view thereof;

FIG. 6 is a top plan view thereof;

FIG. 7 is a bottom plan view thereof;

FIG. 8 is a perspective view of a second embodiment of my invention;

FIG. 8A is a perspective view similar to that of FIG. 8;

FIG. 9 is a front elevation view thereof;

FIG. 10 is a rear elevation view thereof;

FIG. 11 is a right elevation view thereof;

FIG. 12 is a left elevation view thereof;

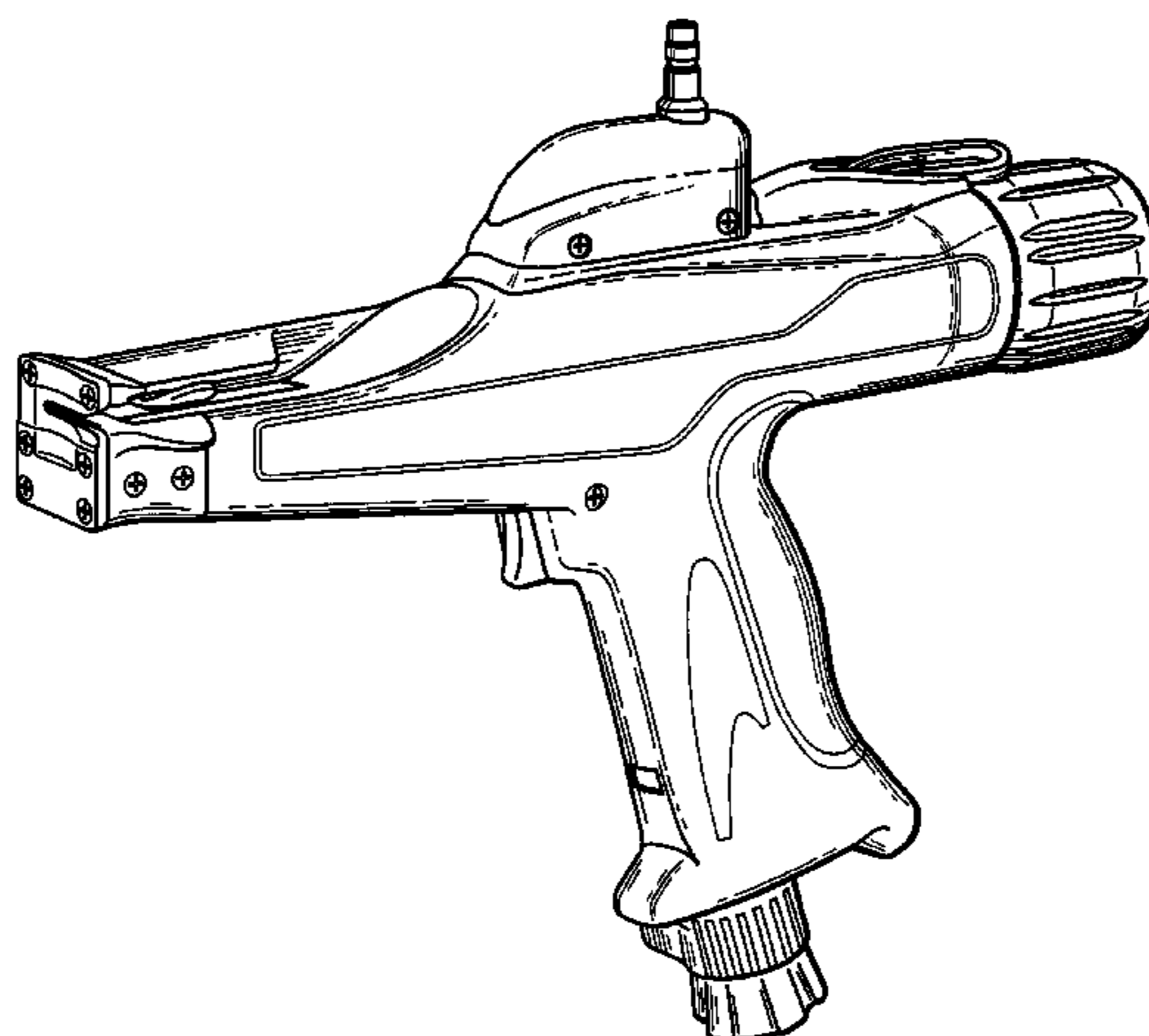
FIG. 13 is a top plan view thereof;

FIG. 14 is a bottom plan view thereof.

FIG. 15 is a perspective view of the first embodiment, wherein the loop is in the raised position; and,

FIG. 16 is a perspective view of the second embodiment, wherein the ring is in the raised position.

**1 Claim, 7 Drawing Sheets**



# US D543,811 S

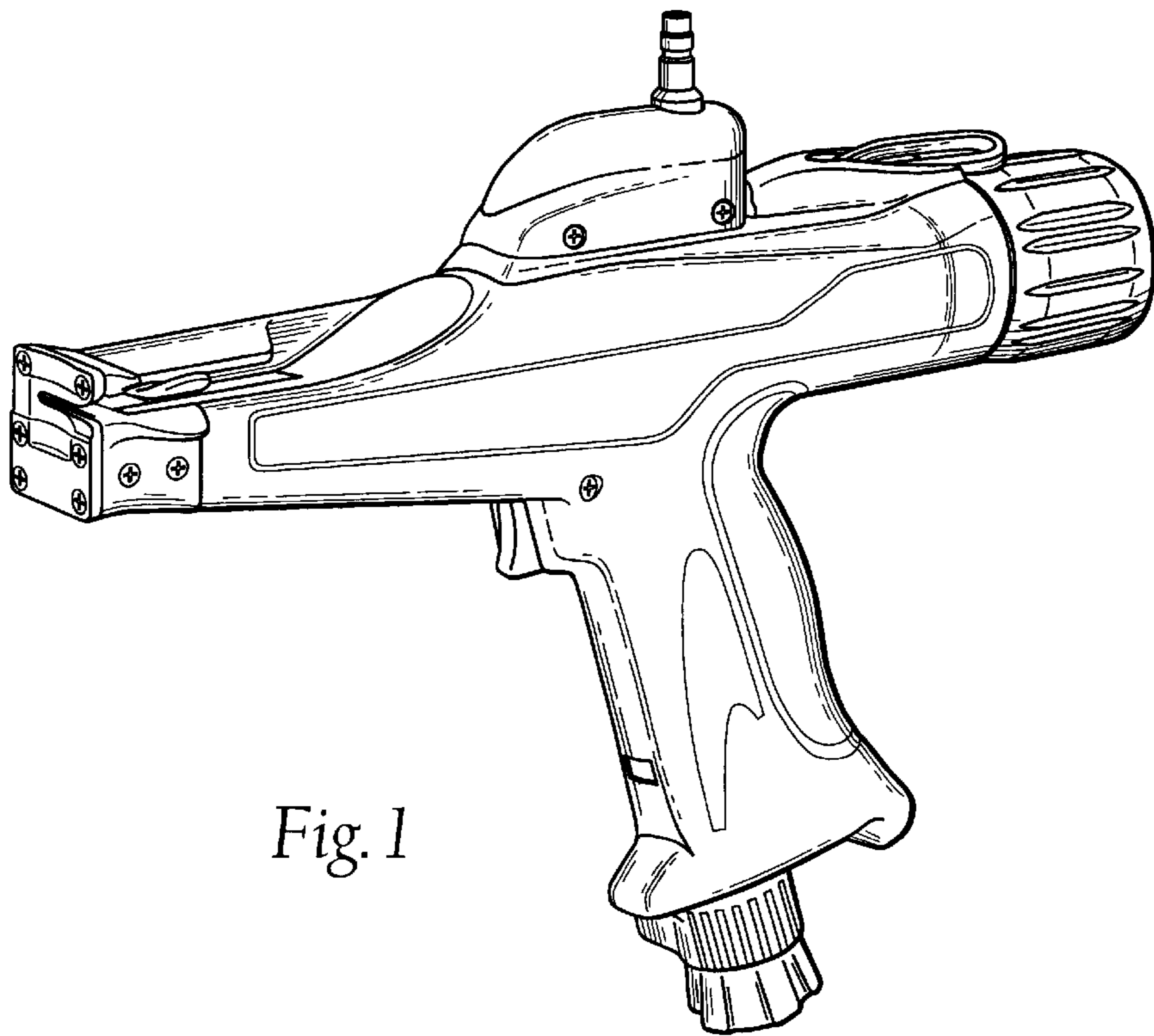
Page 2

---

## U.S. PATENT DOCUMENTS

4,252,158	A	2/1981	McDade	5,915,425	A	*	6/1999	Nilsson et al. ....	140/123.6
RE30,996	E	7/1982	Pobuta et al.	5,921,290	A		7/1999	Dyer et al.	
4,390,047	A	6/1983	Kaneko	D430,781	S	*	9/2000	Hillegonds .....	D8/44
4,410,019	A	10/1983	Suzuki	6,206,053	B1	*	3/2001	Hillegonds .....	140/123.6
4,449,429	A	5/1984	Sauer et al.	D473,773	S	*	4/2003	Hillegonds et al. ....	D8/68
4,498,506	A	2/1985	Moody et al.	D491,430	S	*	6/2004	Magno et al. ....	D8/44
4,499,928	A	2/1985	Furutsu	6,840,289	B2		1/2005	Hillegonds	
4,548,242	A	10/1985	Paradis	D510,244	S	*	10/2005	Magno et al. ....	D8/44
4,793,385	A	12/1988	Dyer et al.	7,124,787	B2	*	10/2006	Lueschen .....	140/123.6
4,862,928	A	9/1989	Caveney et al.	2004/0187949	A1		9/2004	Lenzen	
4,997,011	A	3/1991	Dyer et al.	2005/0178461	A1	*	8/2005	Magno et al. ....	140/123.6
5,492,156	A	2/1996	Dyer et al.	2005/0217749	A1	*	10/2005	Magno et al. ....	140/123.6
5,769,133	A	6/1998	Dyer et al.						

\* cited by examiner



*Fig. 1*

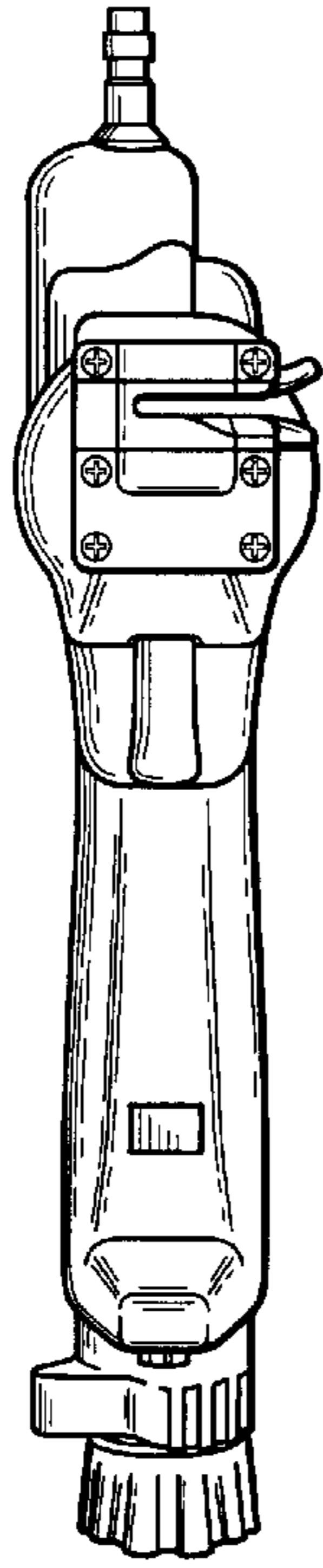


Fig. 2

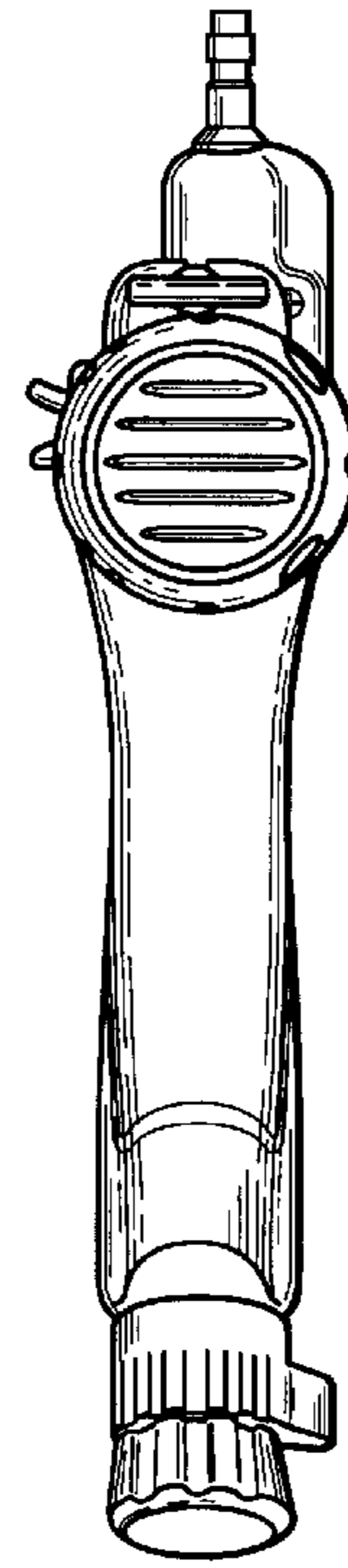


Fig. 3

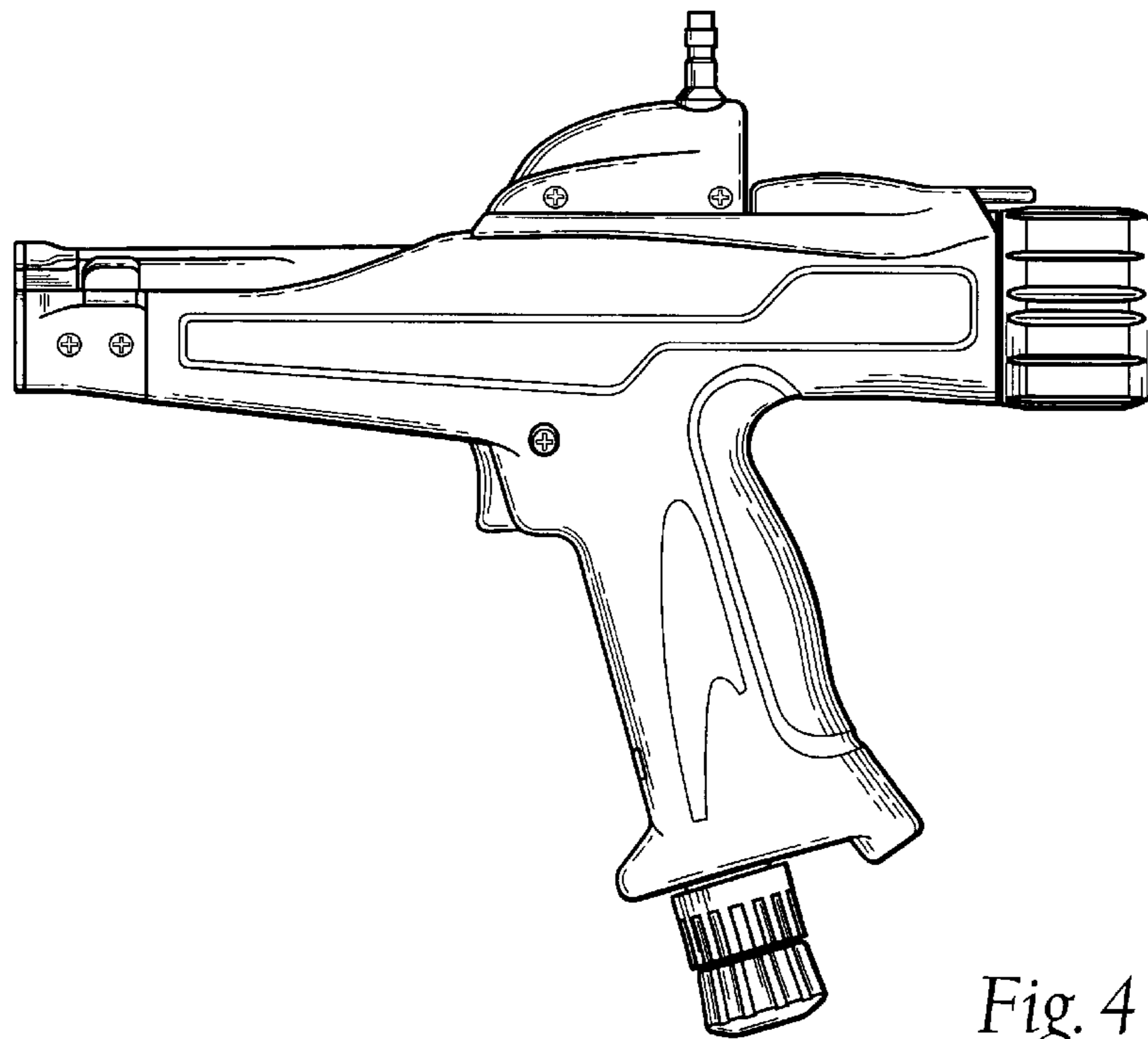


Fig. 4

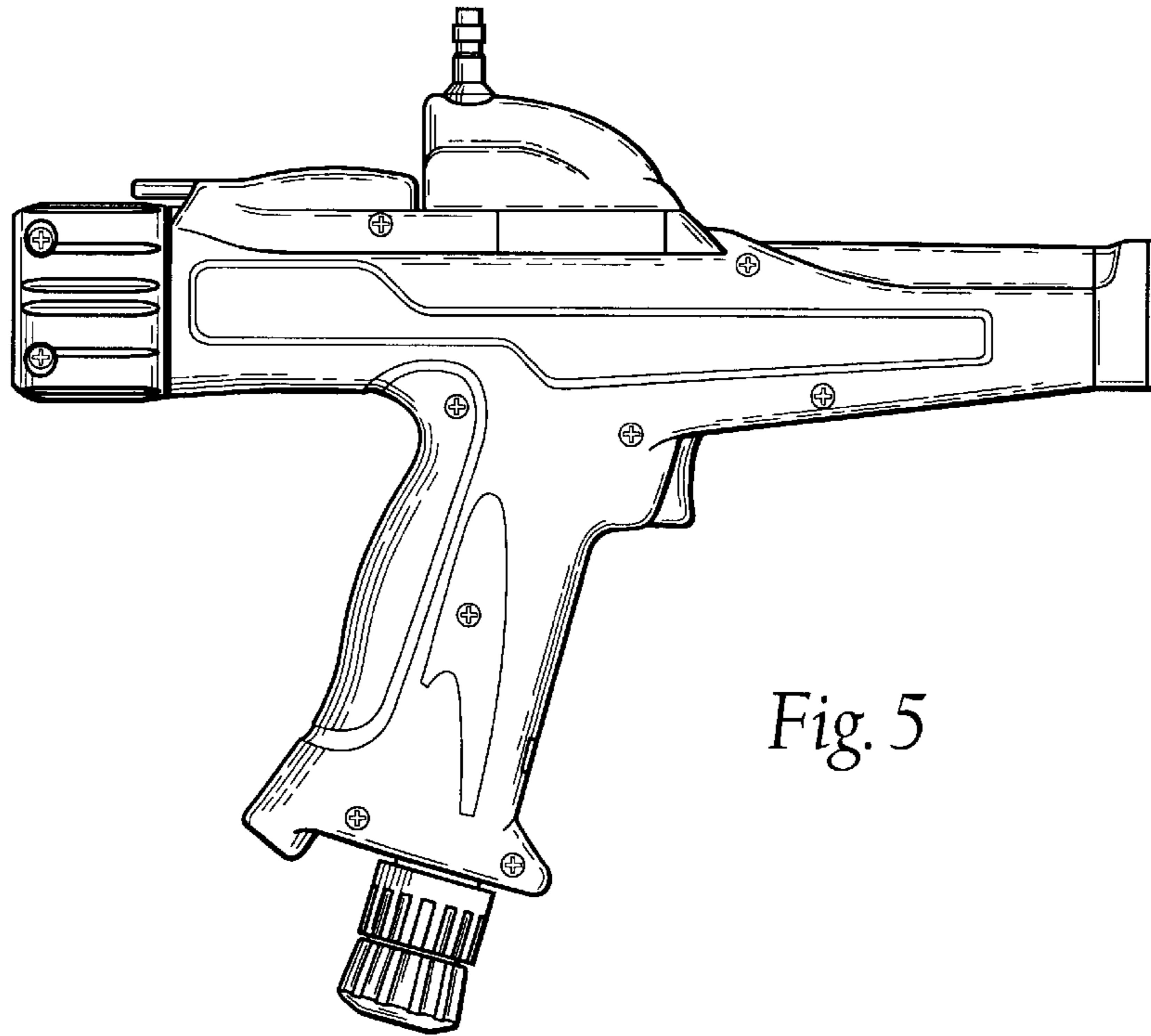


Fig. 5

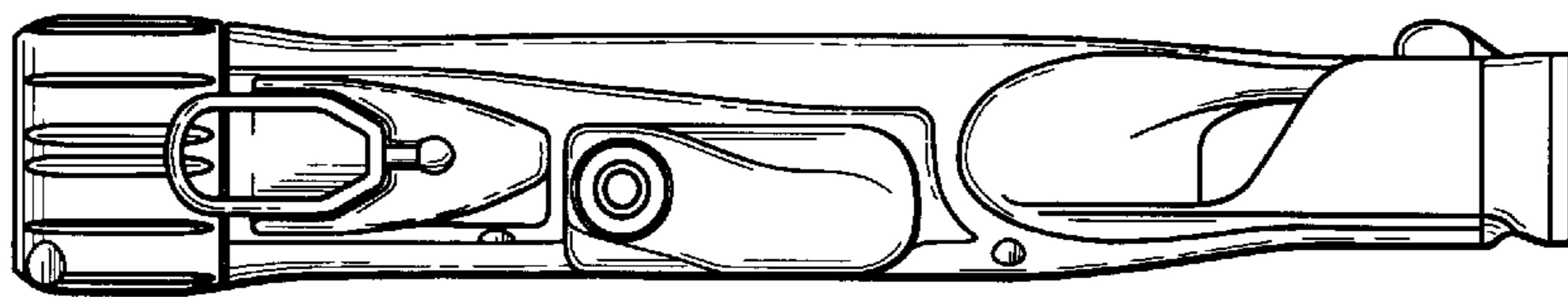


Fig. 6

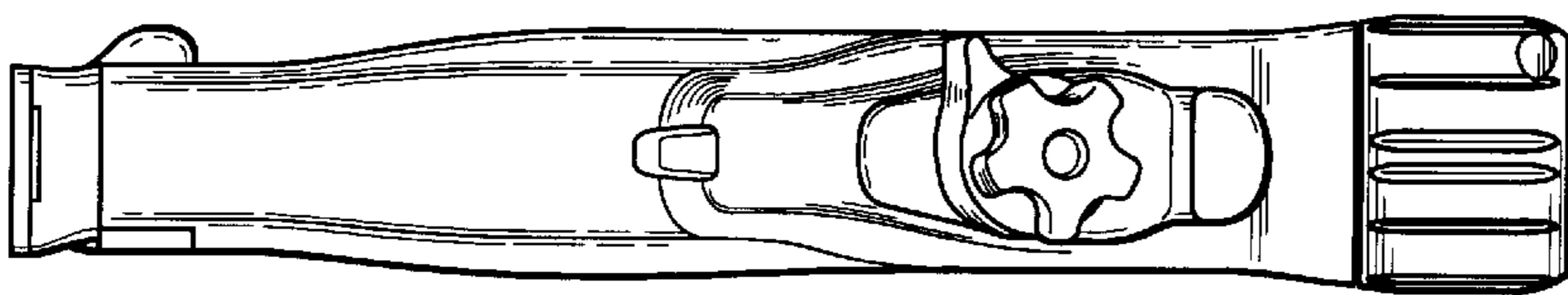
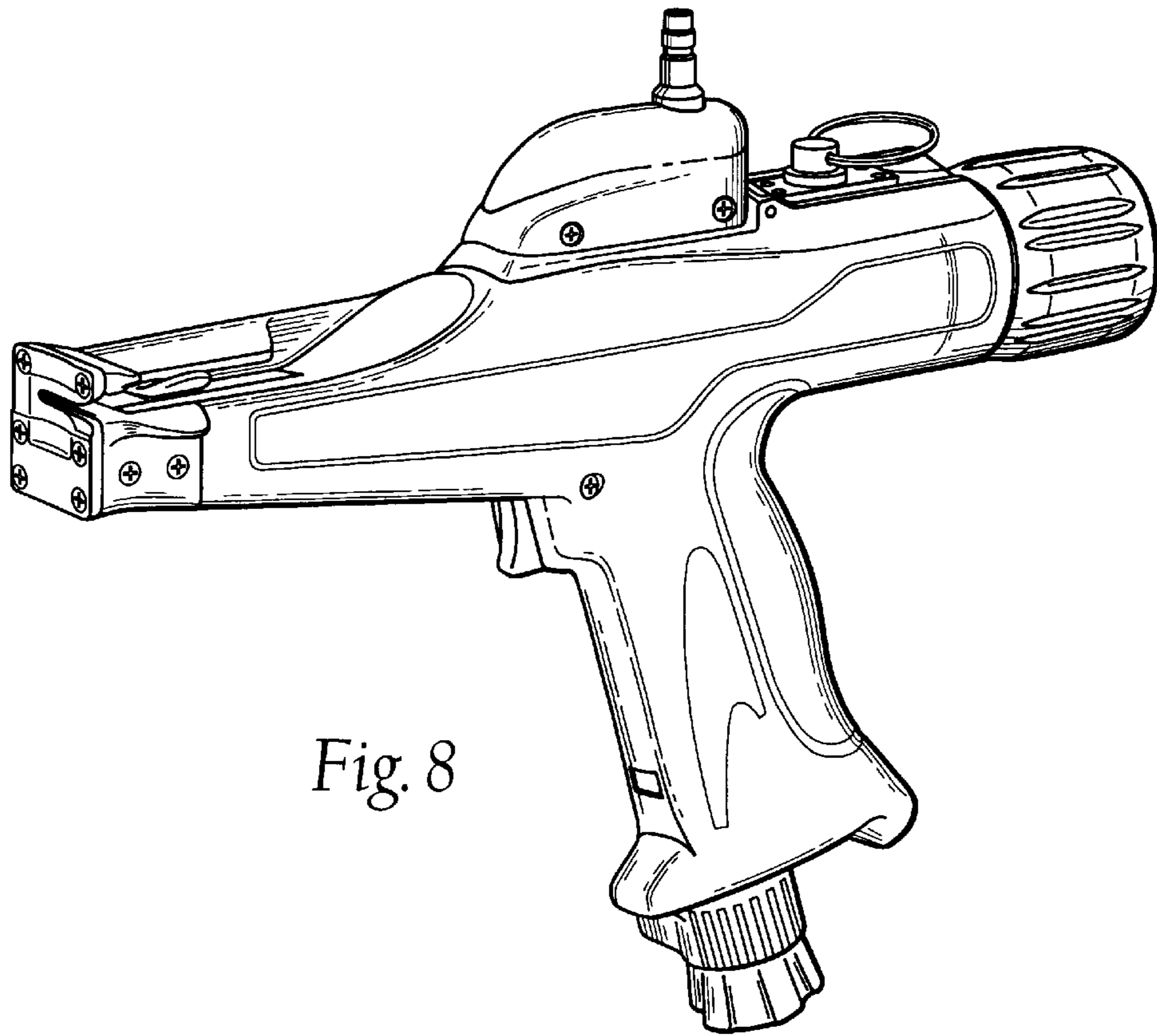


Fig. 7





*Fig. 8*

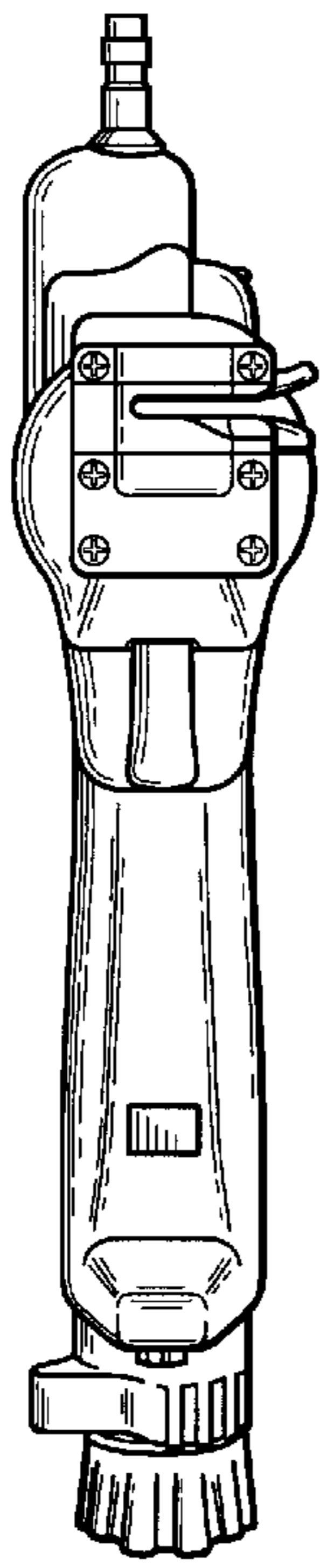


Fig. 9

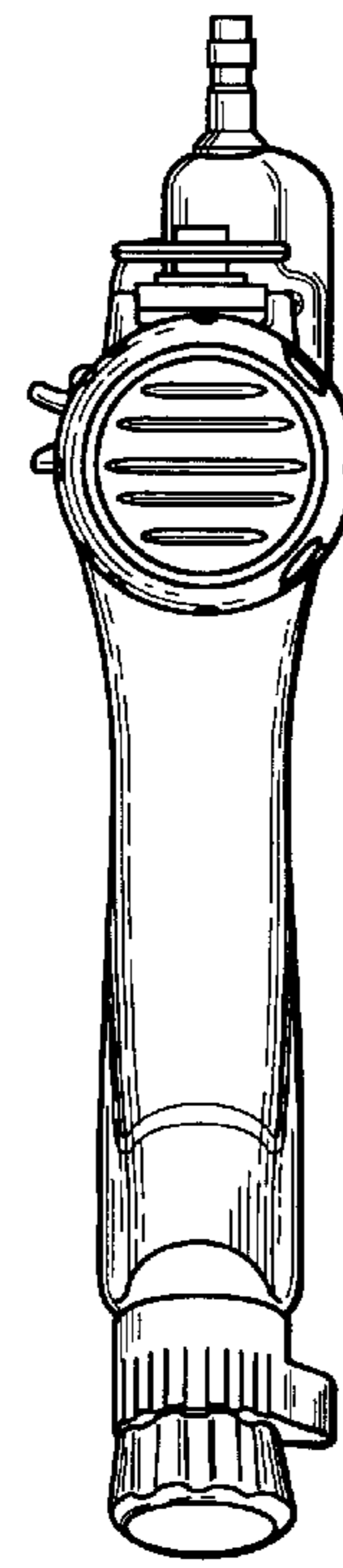


Fig. 10

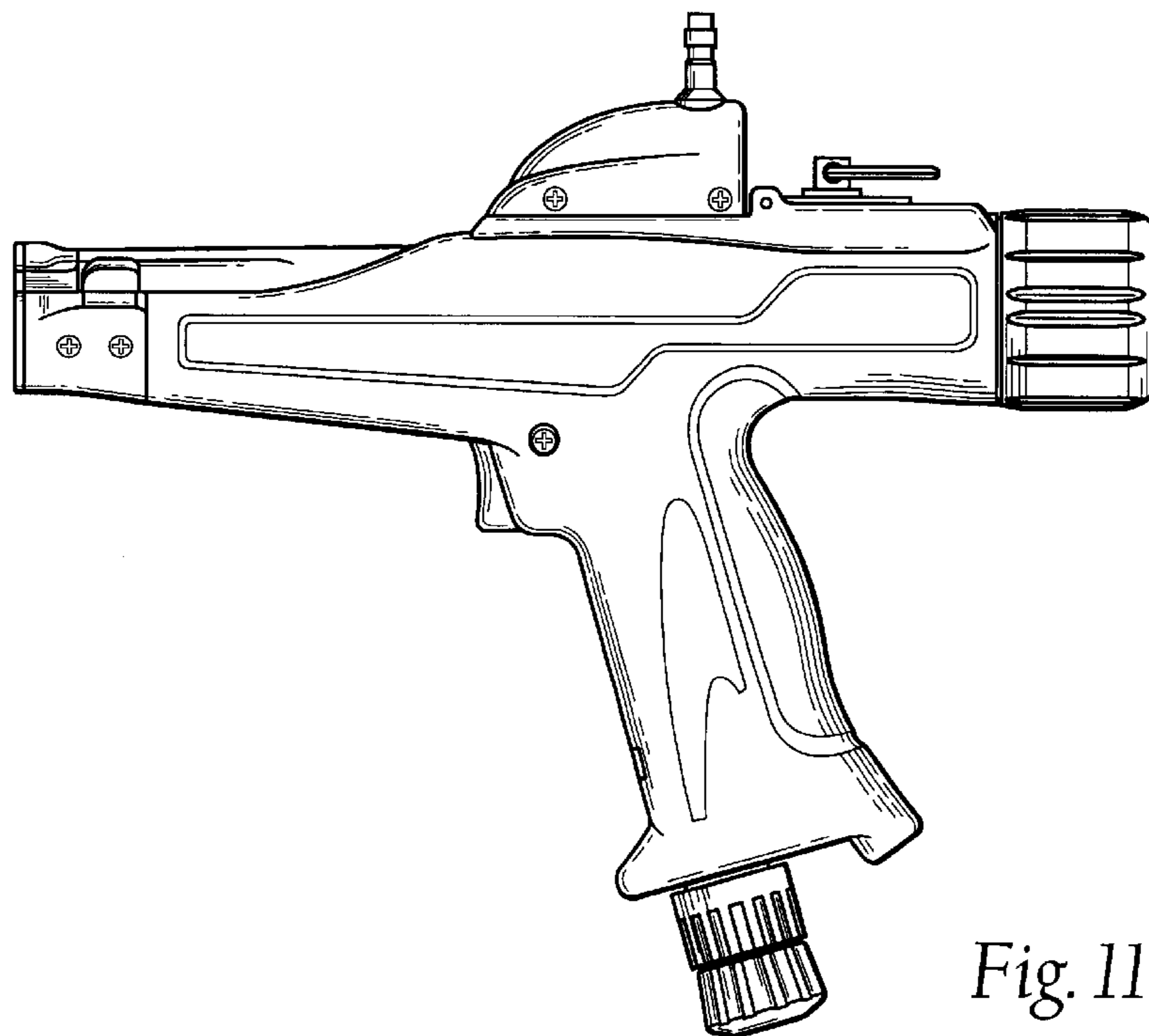


Fig. 11

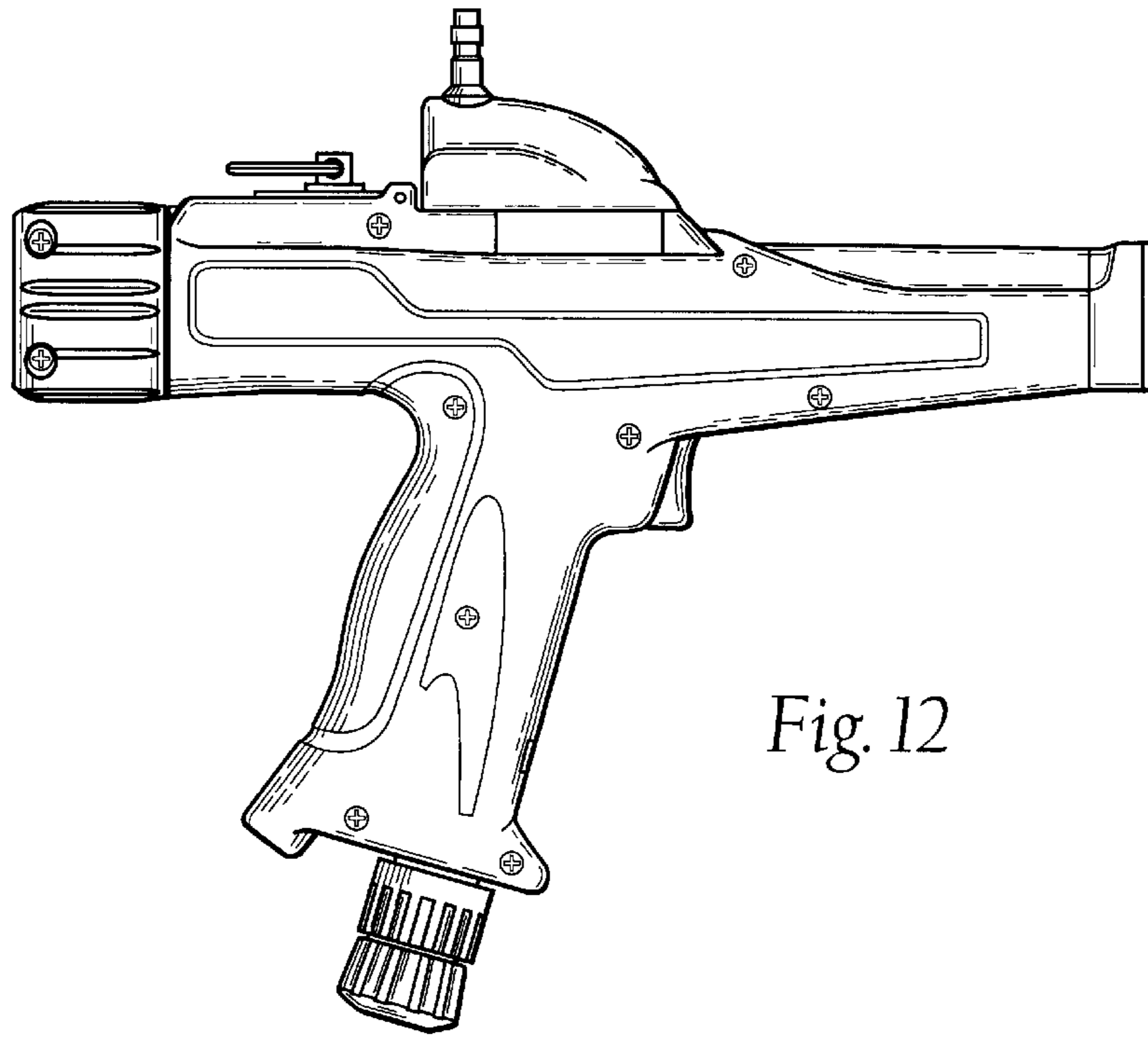


Fig. 12

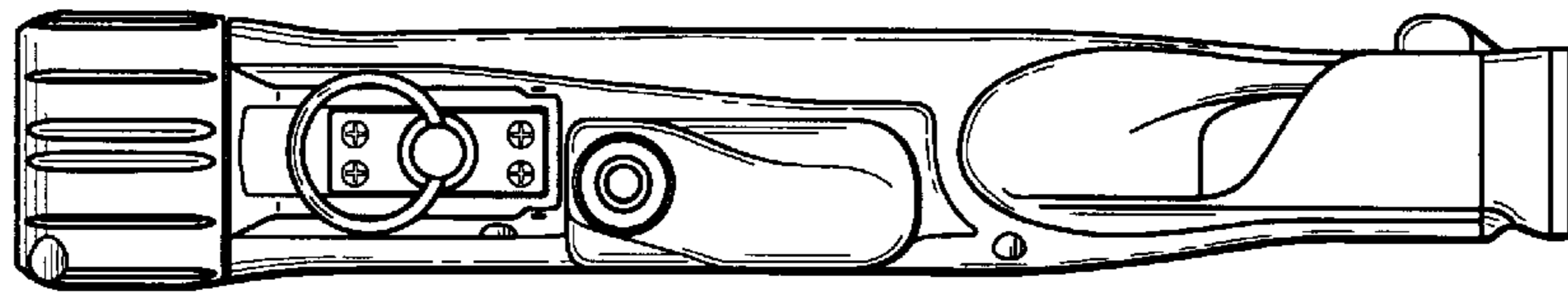


Fig. 13

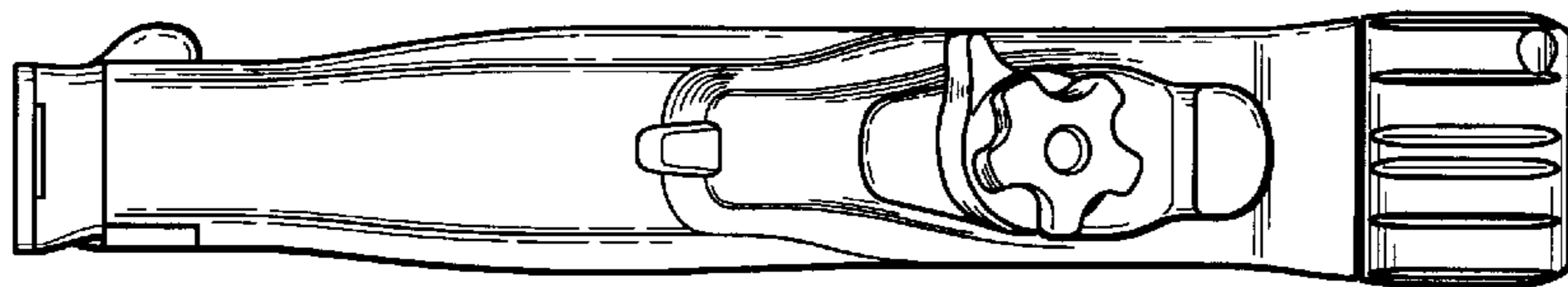
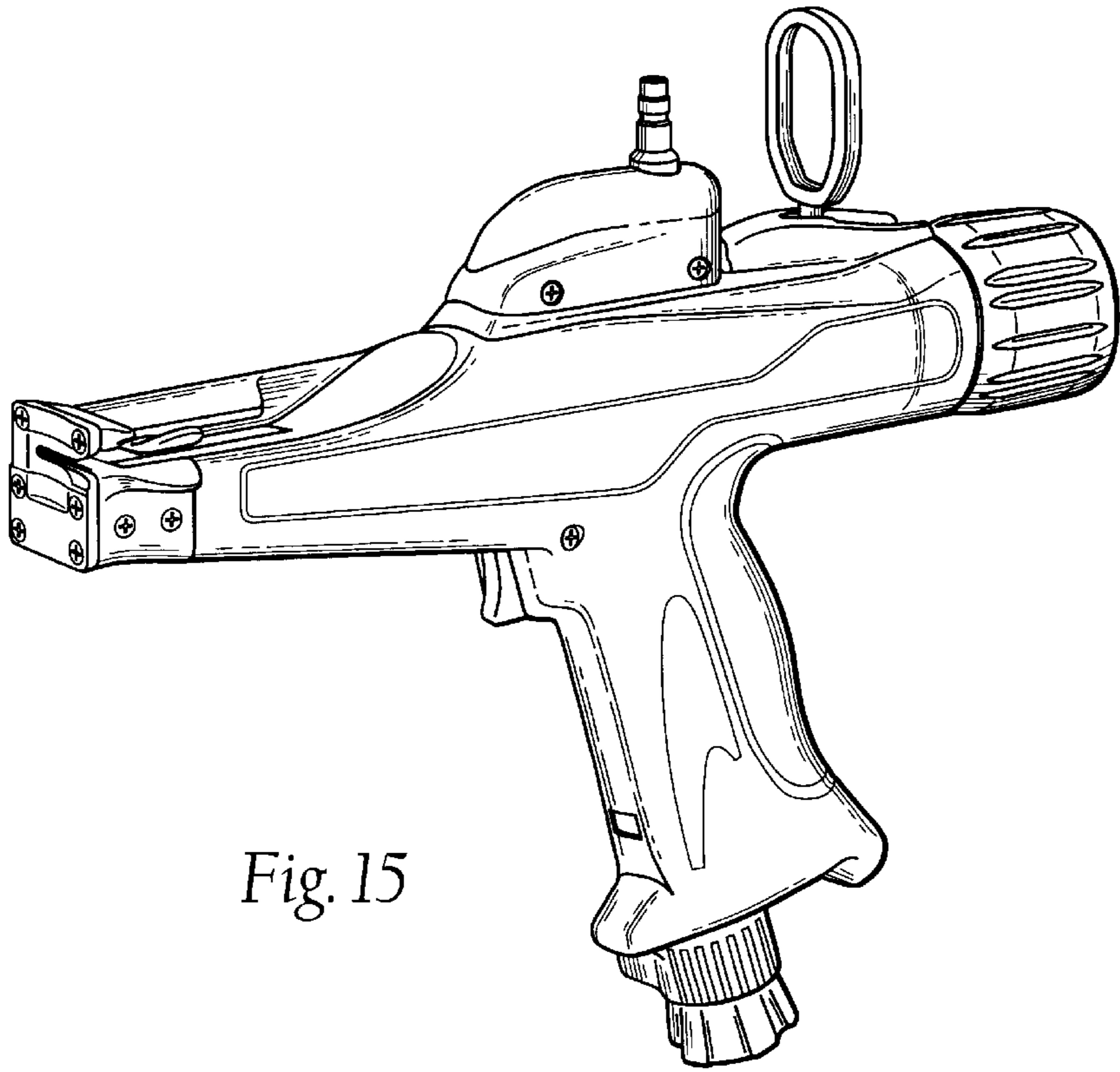
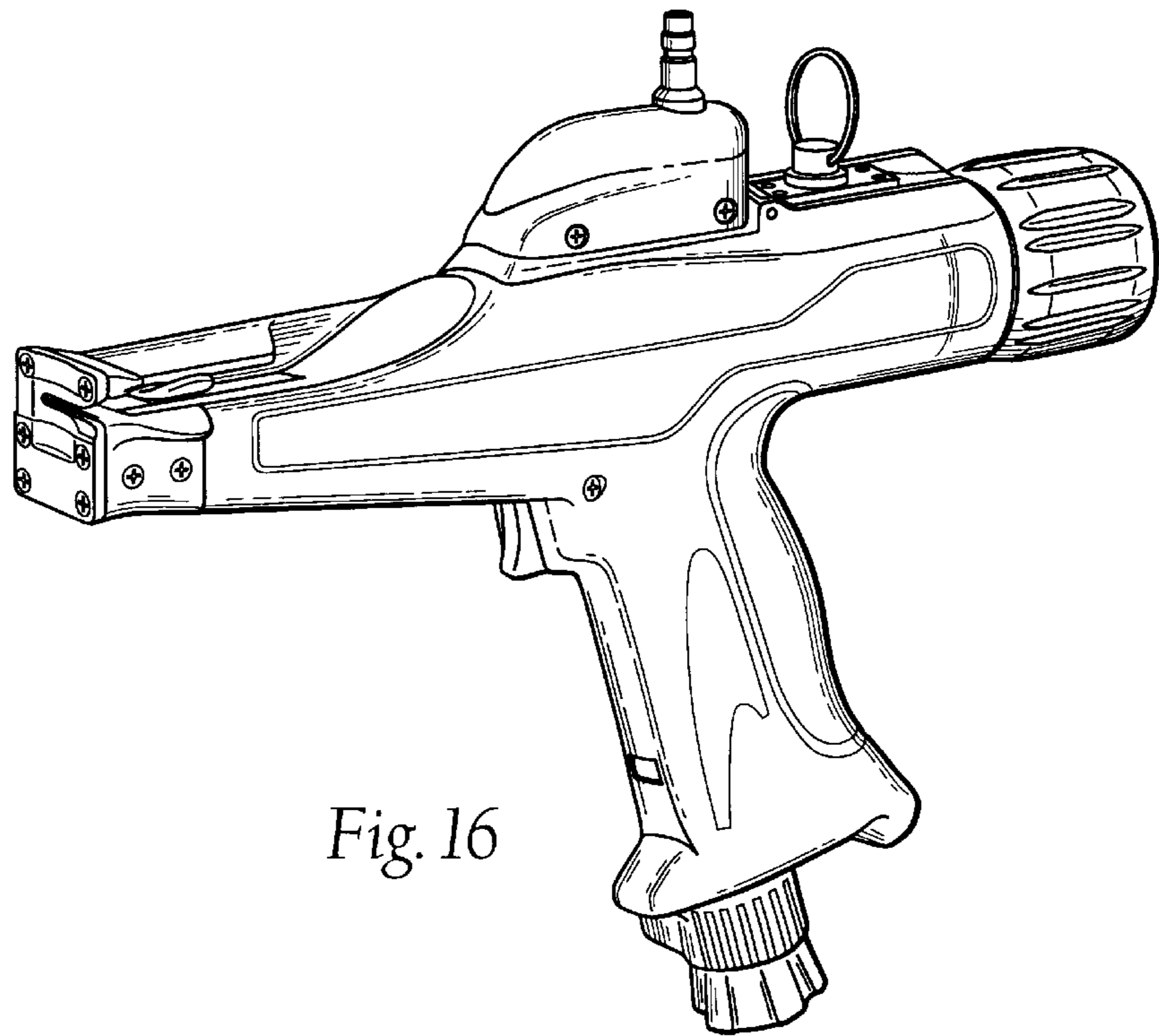


Fig. 14





*Fig. 15*



*Fig. 16*