

US00D543809S

(12) **United States Design Patent**
McNulty

(10) **Patent No.:** **US D543,809 S**
(45) **Date of Patent:** **** Jun. 5, 2007**

(54) **HEXLOCK WRENCH**

(76) Inventor: **Christopher McNulty**, 1679 Lowell Rd., Concord, MA (US) 01742

(**) Term: **14 Years**

(21) Appl. No.: **29/247,651**

(22) Filed: **Jun. 30, 2006**

Related U.S. Application Data

(63) Continuation-in-part of application No. 29/240,114, filed on Oct. 7, 2005, now abandoned, which is a continuation of application No. 10/610,055, filed on Jun. 30, 2003, now abandoned.

(51) **LOC (8) Cl.** **08-05**

(52) **U.S. Cl.** **D8/21**

(58) **Field of Classification Search** D8/17,
D8/21-29; 81/60-62.3, 177.1, 177.85, 177.8,
81/121.1, 124.3, 124.7, 125.1, 124.5, 119,
81/186, 124.4, 58

See application file for complete search history.

(56) **References Cited**

U.S. PATENT DOCUMENTS

183,266 A	10/1876	Jordan	
433,358 A	7/1890	McCarthy	
1,242,097 A	10/1917	Anderson	
1,561,812 A	11/1925	White	
2,018,047 A	10/1935	Woolley	
2,074,227 A	3/1937	Luckey	
2,228,904 A	1/1941	Bjorkman	
D201,520 S	* 6/1965	Neff	D8/22
3,195,381 A	7/1965	Meggs, Jr.	
3,358,533 A	12/1967	Wren	
3,670,604 A	6/1972	Fromell	
4,065,986 A	1/1978	Meggs et al.	
D271,274 S	* 11/1983	Tasato	D8/23
4,534,246 A	8/1985	McNulty	
4,584,913 A	4/1986	Logan	
4,833,949 A	5/1989	Piperkovski	
4,913,011 A	4/1990	Ma	
D312,198 S	11/1990	Cooke	
5,305,667 A	* 4/1994	Caballero	81/165

5,960,683 A	* 10/1999	Malkin et al.	81/165
6,098,506 A	8/2000	Clegg	
D461,381 S	* 8/2002	Kramer	D8/22
D476,204 S	6/2003	Chang-Kao	
D478,794 S	* 8/2003	Kramer	D8/22
D510,005 S	9/2005	Ha	

FOREIGN PATENT DOCUMENTS

CA	461567	12/1949
SE	50357	9/1918
WO	2004062854	7/2004

* cited by examiner

Primary Examiner—Raphael Barkai
Assistant Examiner—Randall H. Gholson
(74) *Attorney, Agent, or Firm*—Mills & Onello LLP

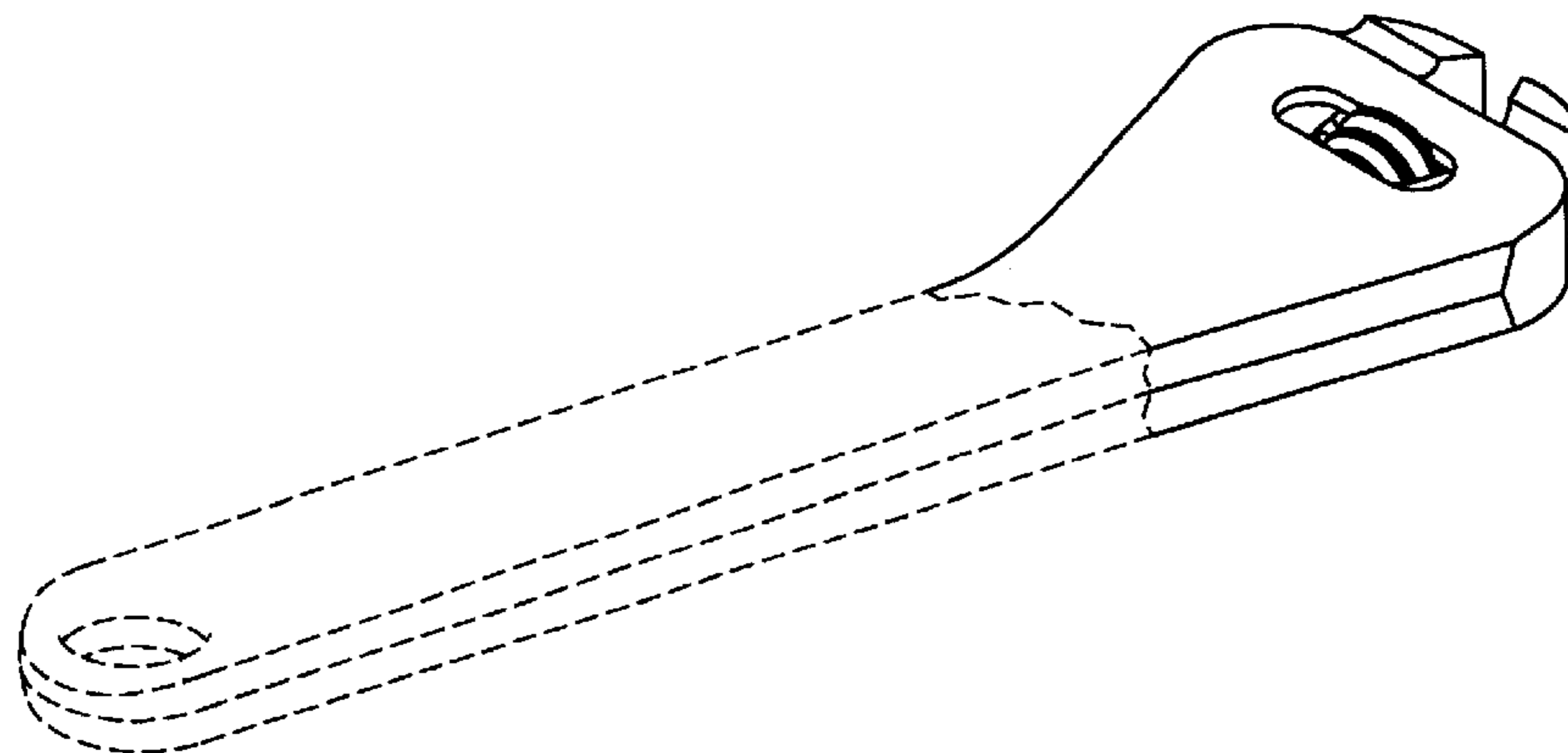
(57) **CLAIM**

The ornamental design for a hexlock wrench, as shown and described.

DESCRIPTION

The present invention is an ornamental design for a wrench, of which the following is a specification, reference being made to the accompanying drawings, forming a part hereof. FIG. 1 is a perspective view of a hexlock wrench, showing the preferred embodiment of the present new design. FIG. 2 is a top view of the hexlock wrench of FIG. 1. FIG. 3 is a front view of the hexlock wrench of FIG. 1. FIG. 4 is a first perspective view of the hexlock wrench of FIG. 1. FIG. 5 is a second perspective view of the hexlock wrench of FIG. 1. FIG. 6 is a third perspective view of the hexlock wrench of FIG. 1. FIG. 7 is a first side view of the hexlock wrench of FIG. 1. FIG. 8 is a second side view of the hexlock wrench of FIG. 1. FIG. 9 is a third side view of the hexlock wrench of FIG. 1; and, FIG. 10 is an exploded side view of the thumb wheel portion of the hexlock wrench of FIG. 1.

1 Claim, 4 Drawing Sheets



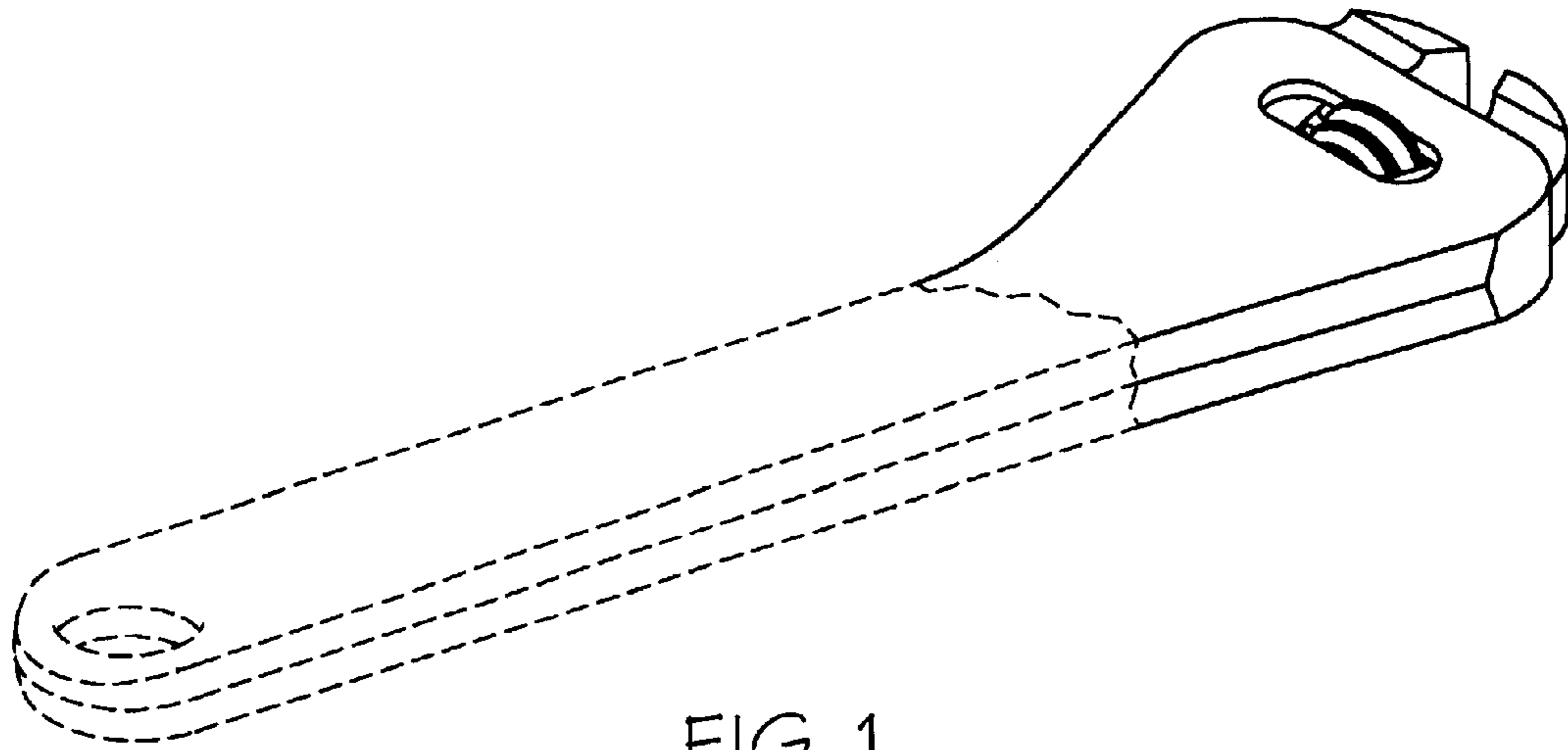


FIG. 1

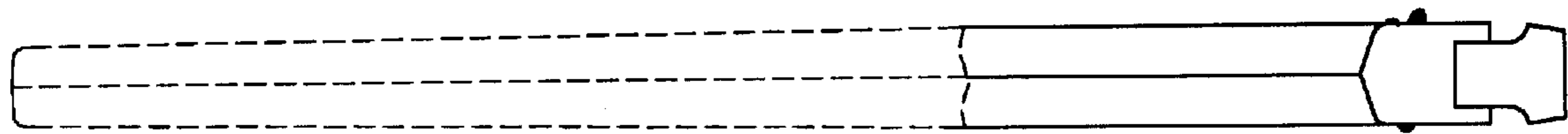


FIG. 2

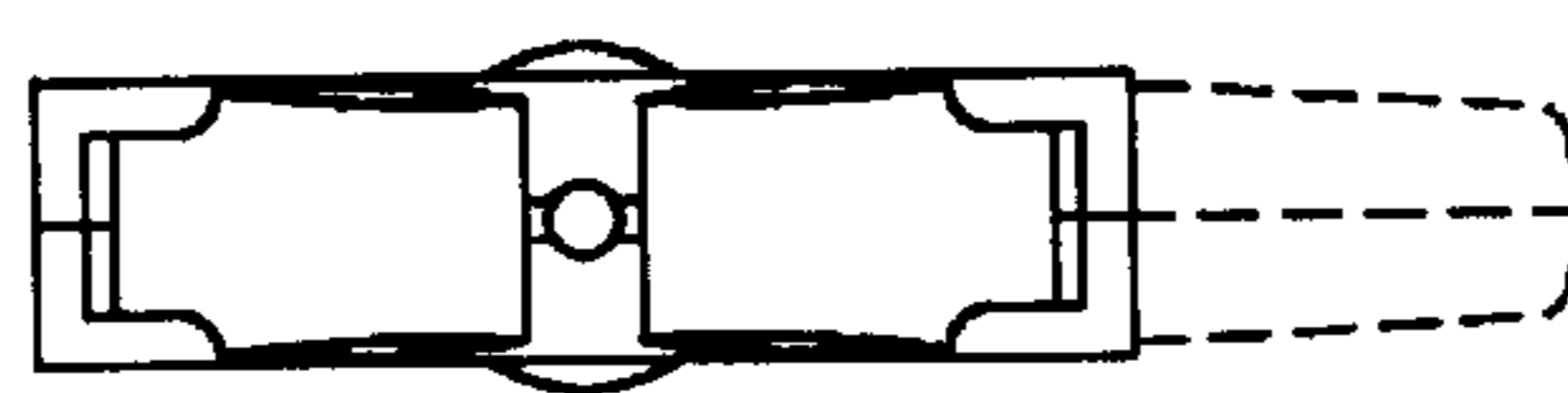


FIG. 3

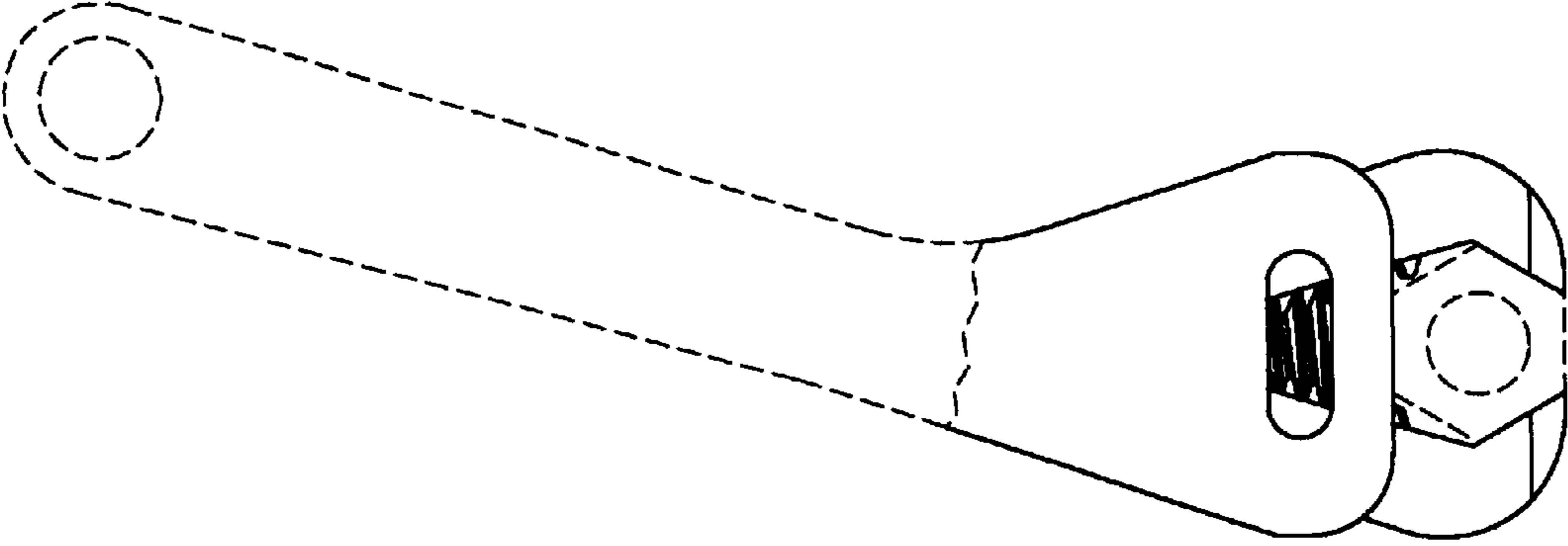


FIG. 4

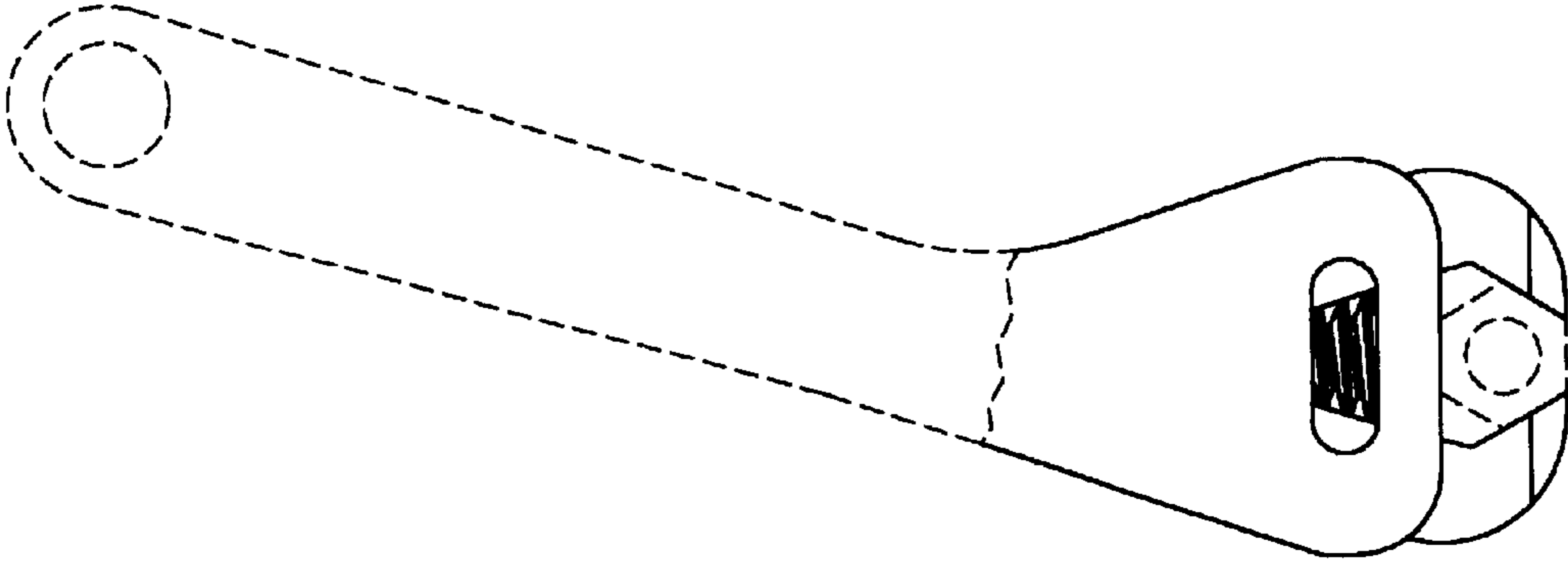


FIG. 5

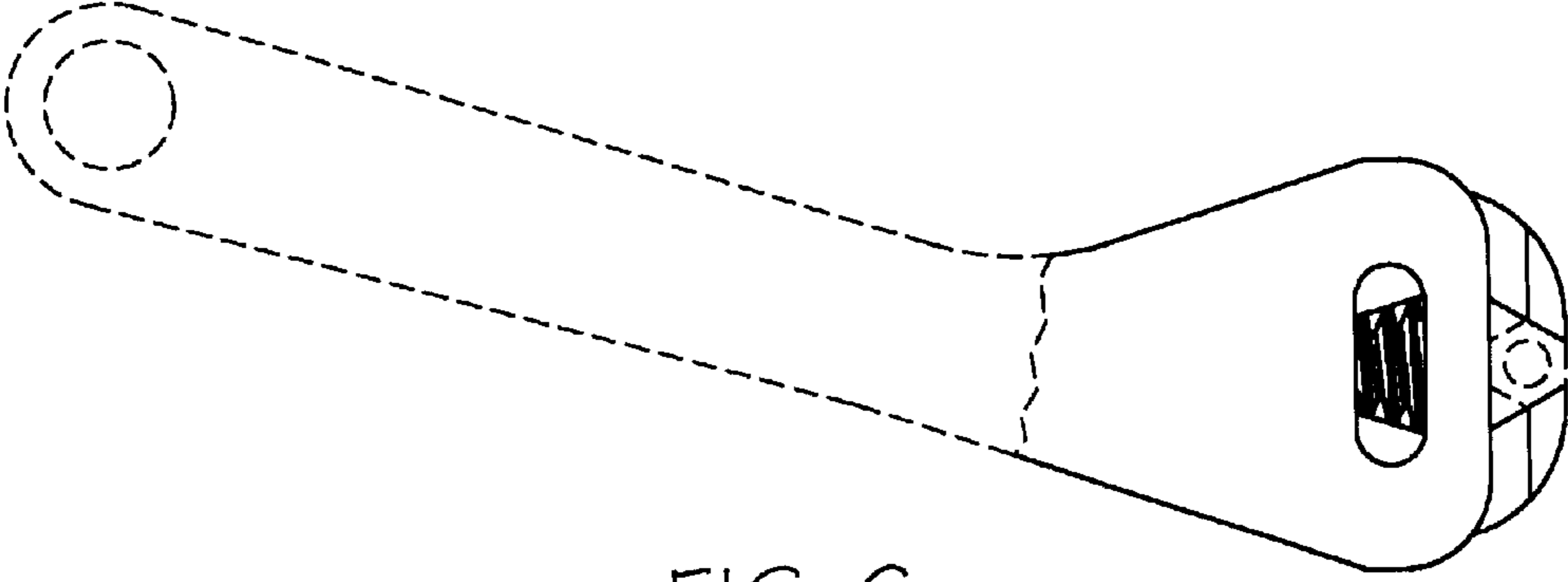


FIG. 6

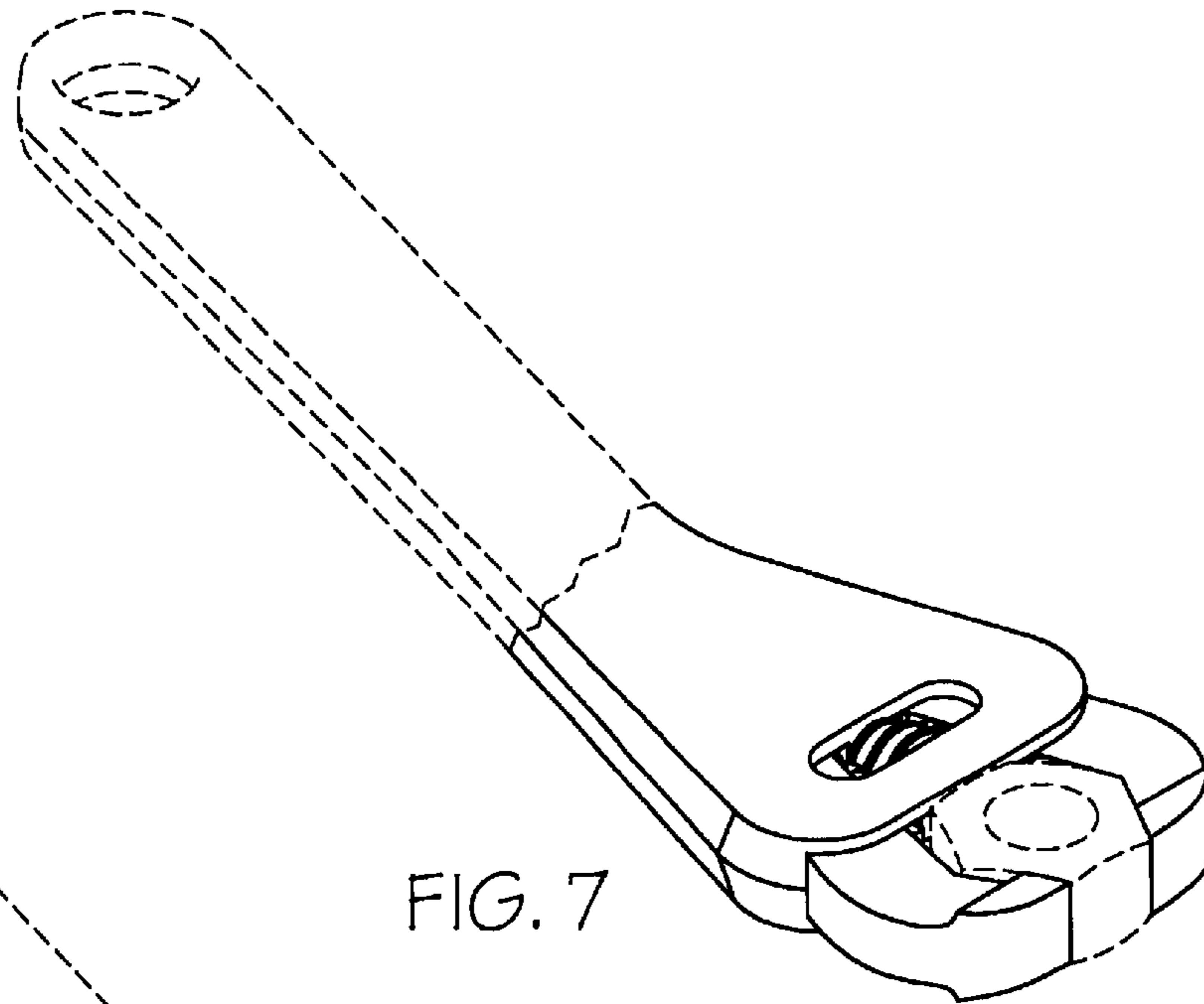


FIG. 7

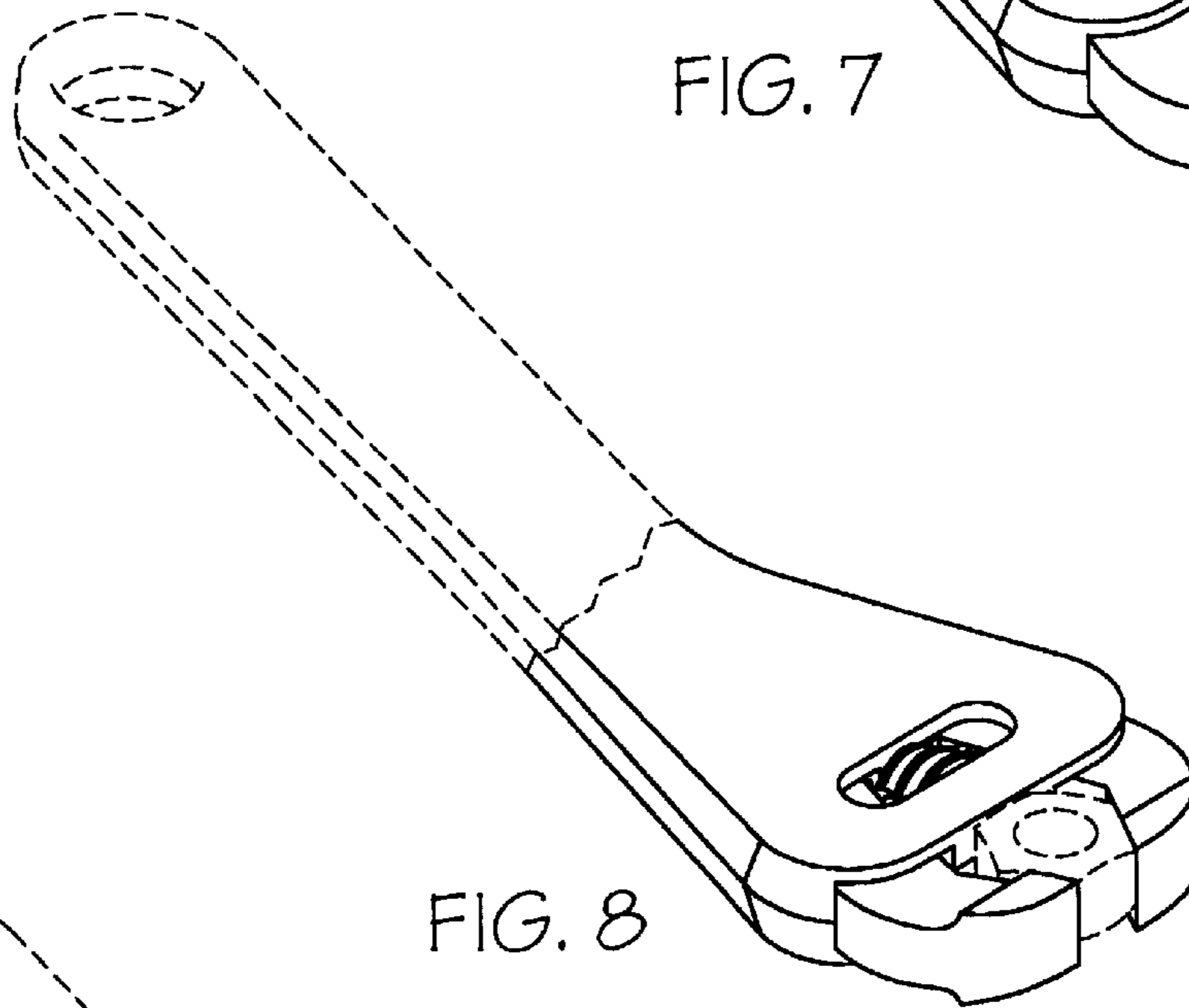


FIG. 8

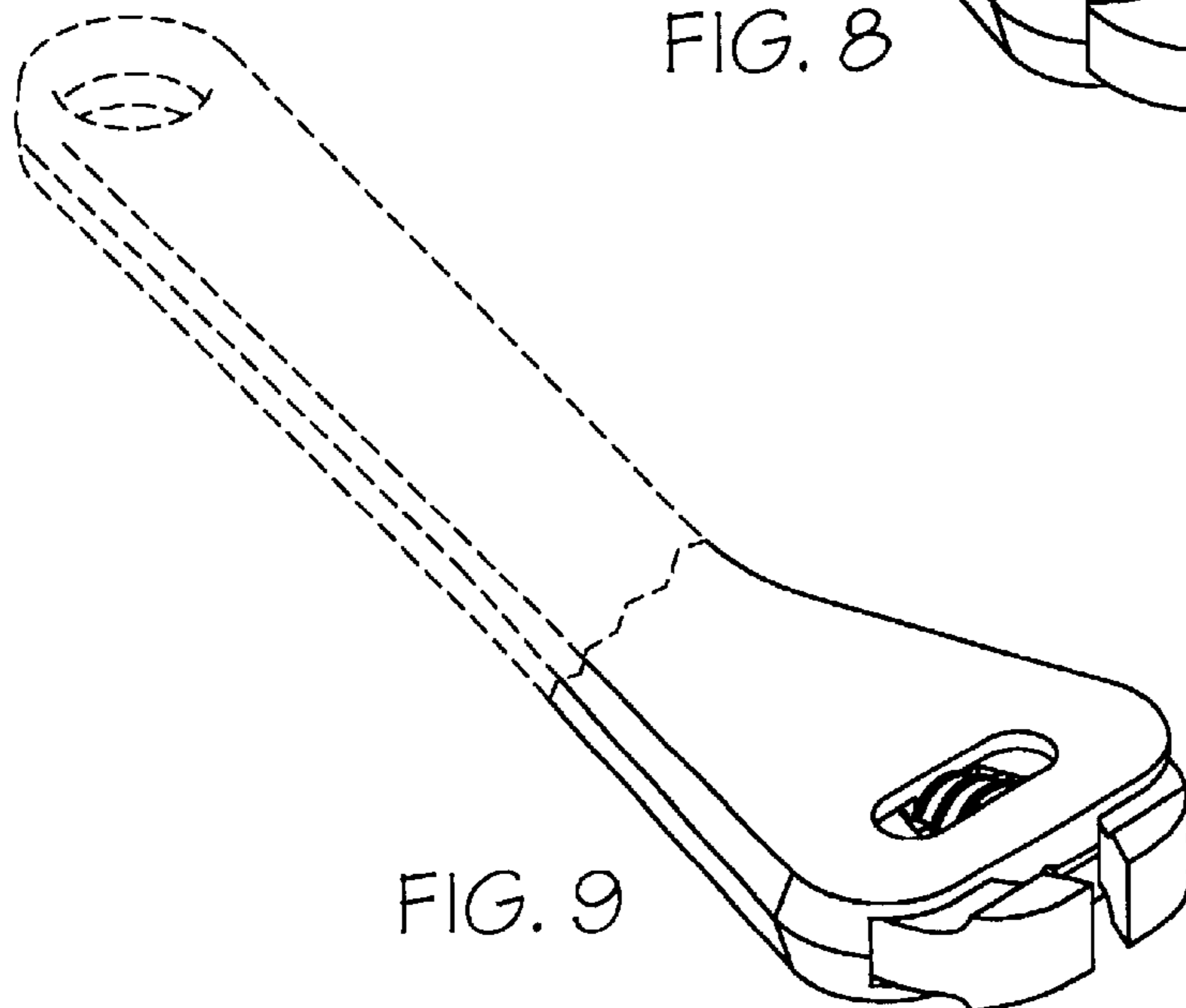


FIG. 9

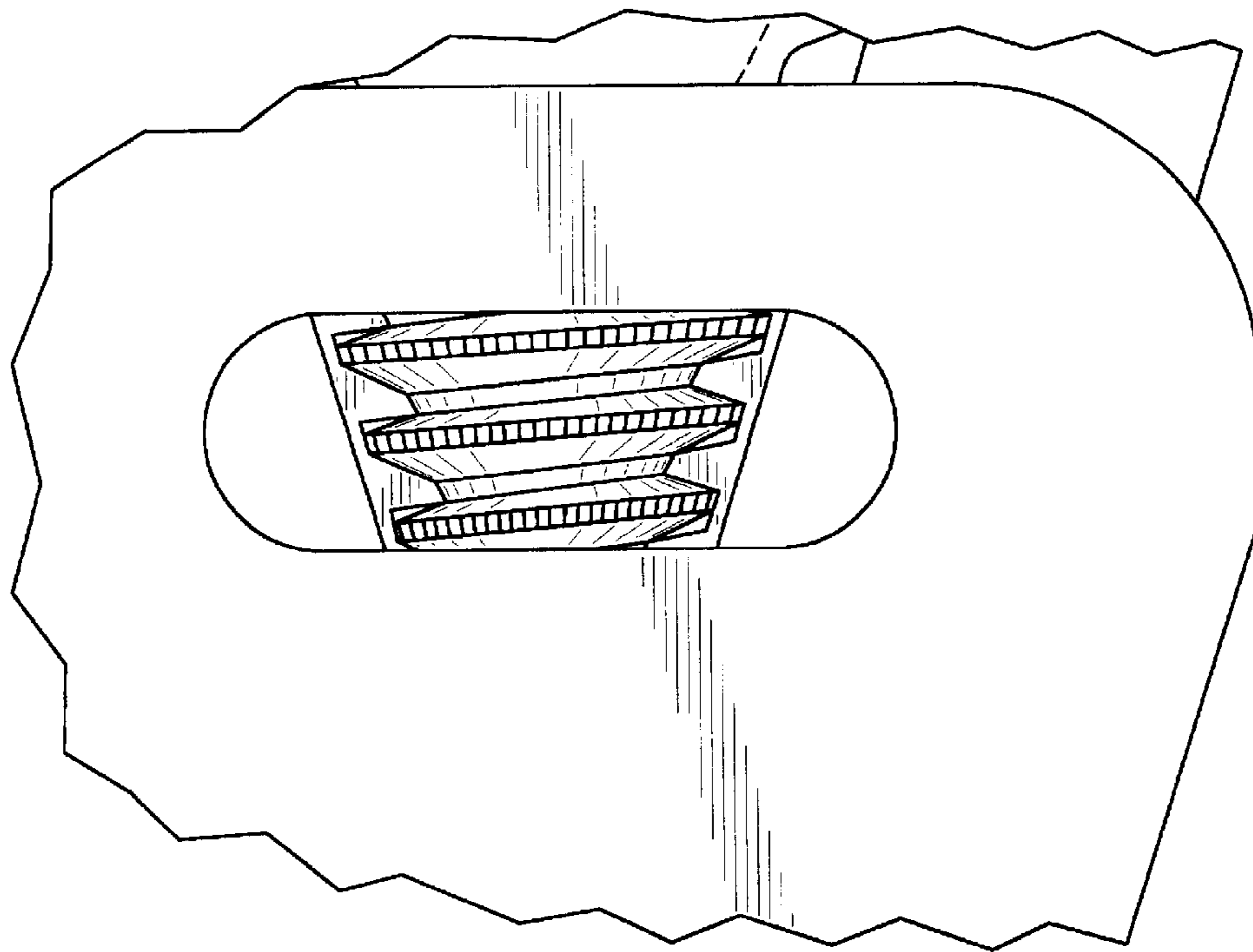


FIG. 10