



US00D543808S

(12) **United States Design Patent**
Hallman

(10) **Patent No.:** **US D543,808 S**

(45) **Date of Patent:** **** Jun. 5, 2007**

(54) **TOOL FOR ALLEVIATING ICE FREEZE-UP OF VEHICLE WINDOWS**

(76) Inventor: **John Dennis Hallman**, 104 Beyer Ave., Punxsutawney, PA (US) 15767

(**) Term: **14 Years**

(21) Appl. No.: **29/234,656**

(22) Filed: **Jul. 21, 2005**

(51) **LOC (8) Cl.** **08-05**

(52) **U.S. Cl.** **D8/14**

(58) **Field of Classification Search** D8/14, D8/88, 89; 29/239; 254/131, 104, 25
See application file for complete search history.

(56) **References Cited**

U.S. PATENT DOCUMENTS

3,751,785	A	*	8/1973	Whitesell	29/267
4,236,427	A	*	12/1980	Becnel	81/15.9
5,104,094	A	*	4/1992	Womack	254/104
5,542,139	A	*	8/1996	Boivin	7/118
6,364,289	B1	*	4/2002	Cook	254/104

D459,187	S	*	6/2002	Norton	D8/89
6,994,322	B1	*	2/2006	Wittman	254/131
2005/0012257	A1	*	1/2005	Vigil	269/25

* cited by examiner

Primary Examiner—Philip S. Hyder

(74) *Attorney, Agent, or Firm*—Carothers and Carothers

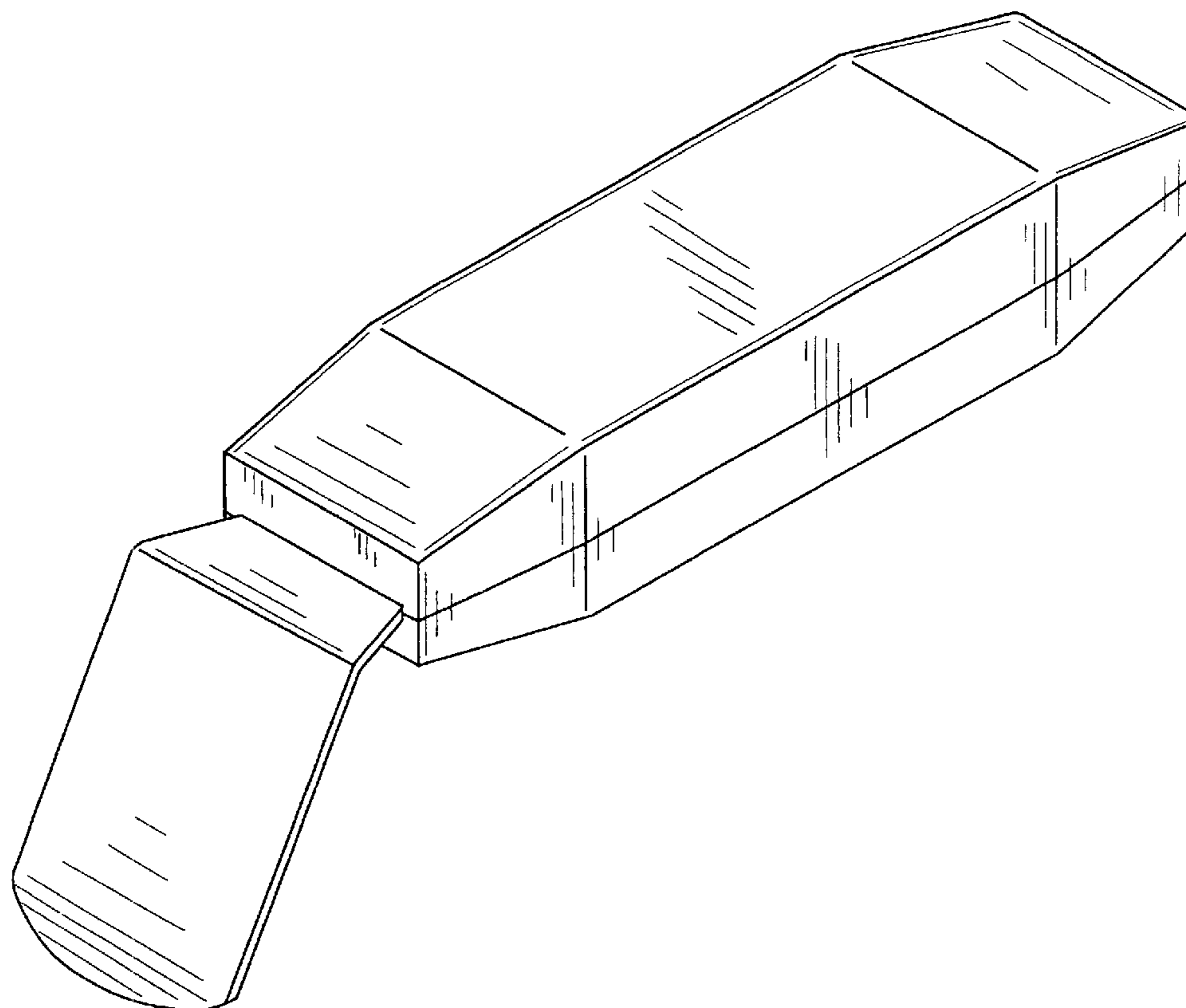
(57) **CLAIM**

The ornamental design for a tool for alleviating ice freeze-up of vehicle window, as shown and described.

DESCRIPTION

FIG. 1 is a perspective view of a tool for alleviating ice freeze-up of vehicle windows showing my new design; FIG. 2 is a front view of the tool for alleviating ice freeze-up of vehicle windows showing my new design; FIG. 3 is a back view thereof; FIG. 4 is a top view thereof; FIG. 5 is a bottom view thereof; FIG. 6 is a right side view thereof; and, FIG. 7 is a left side view thereof.

1 Claim, 3 Drawing Sheets



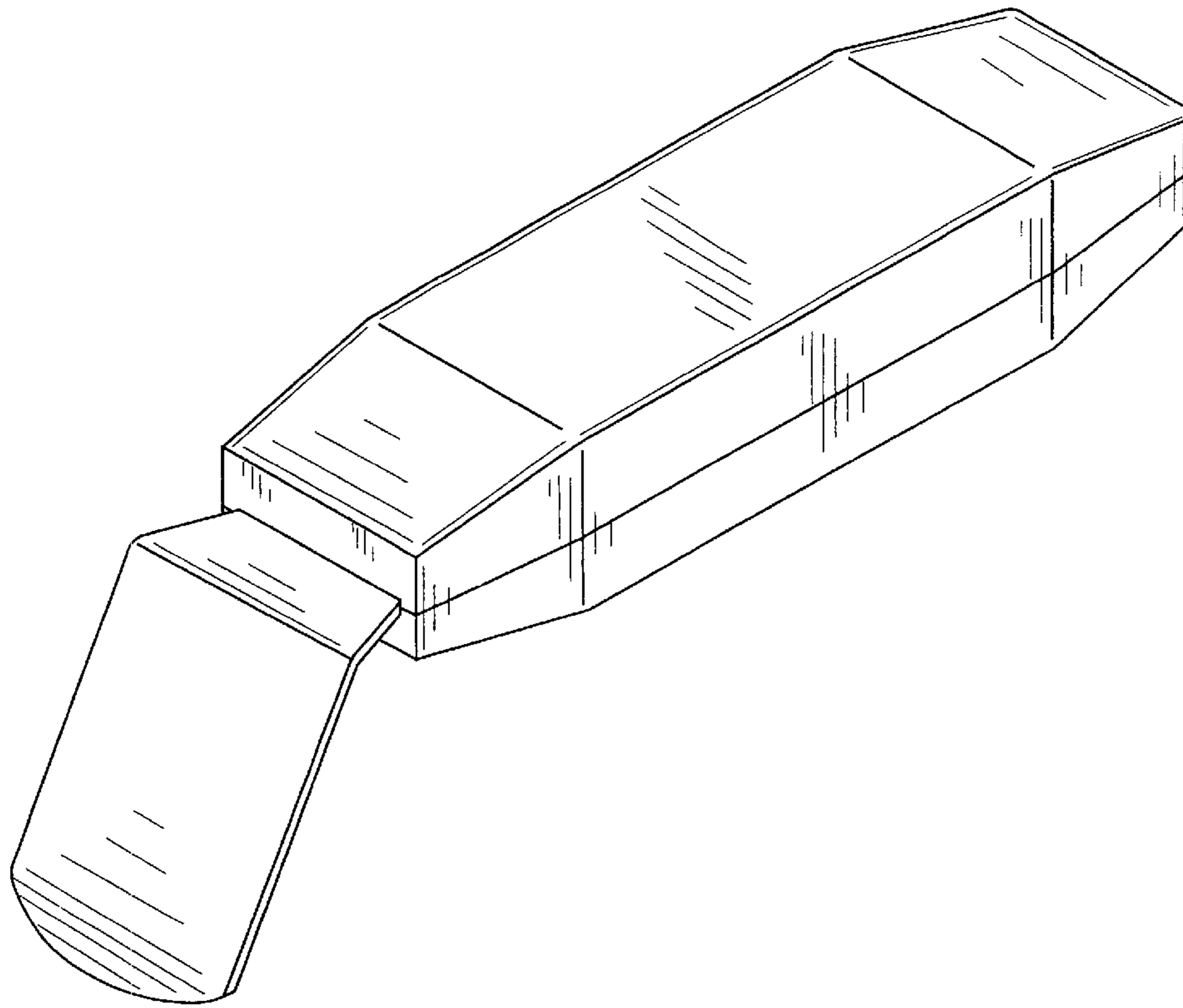


FIG. 1

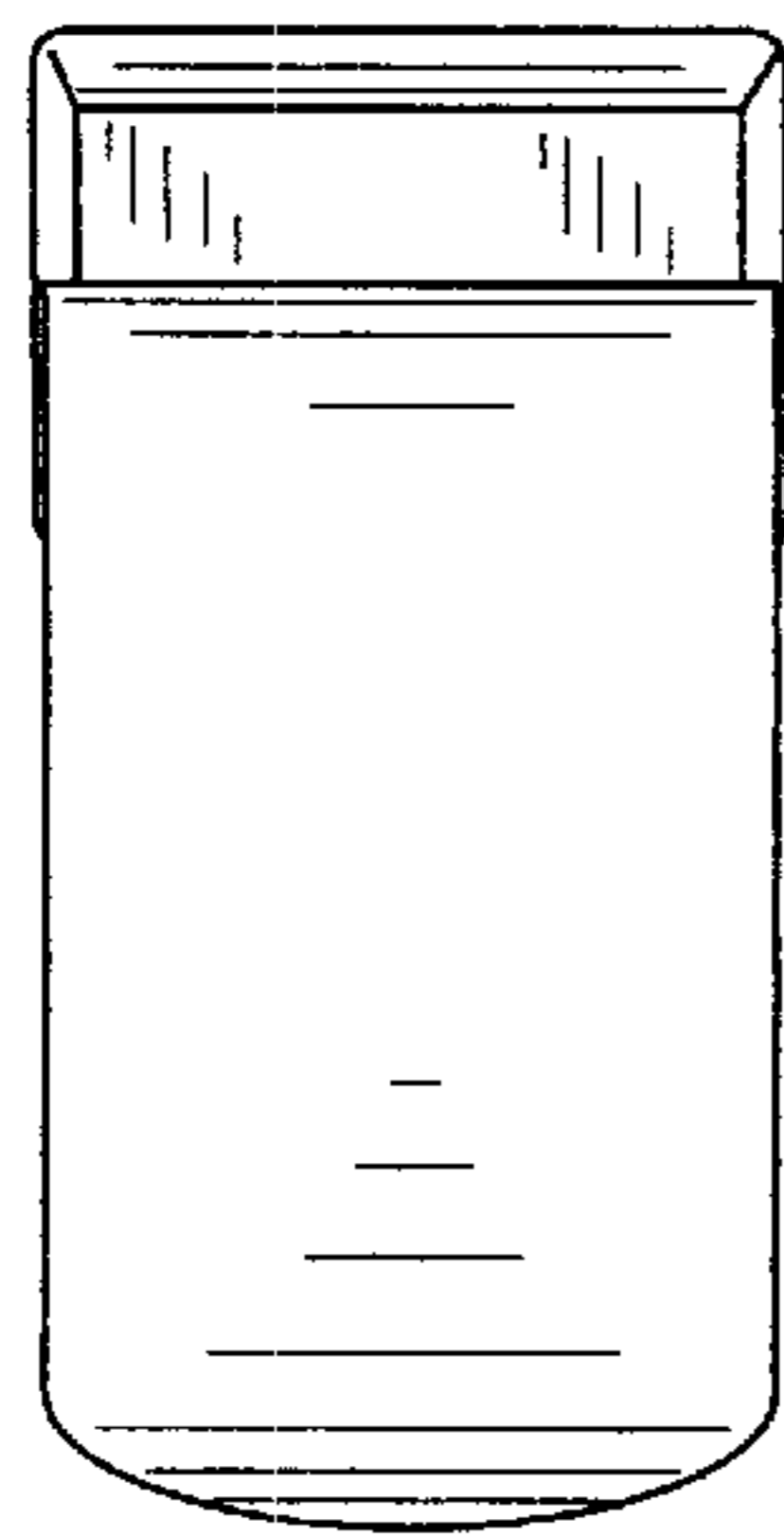


FIG. 2

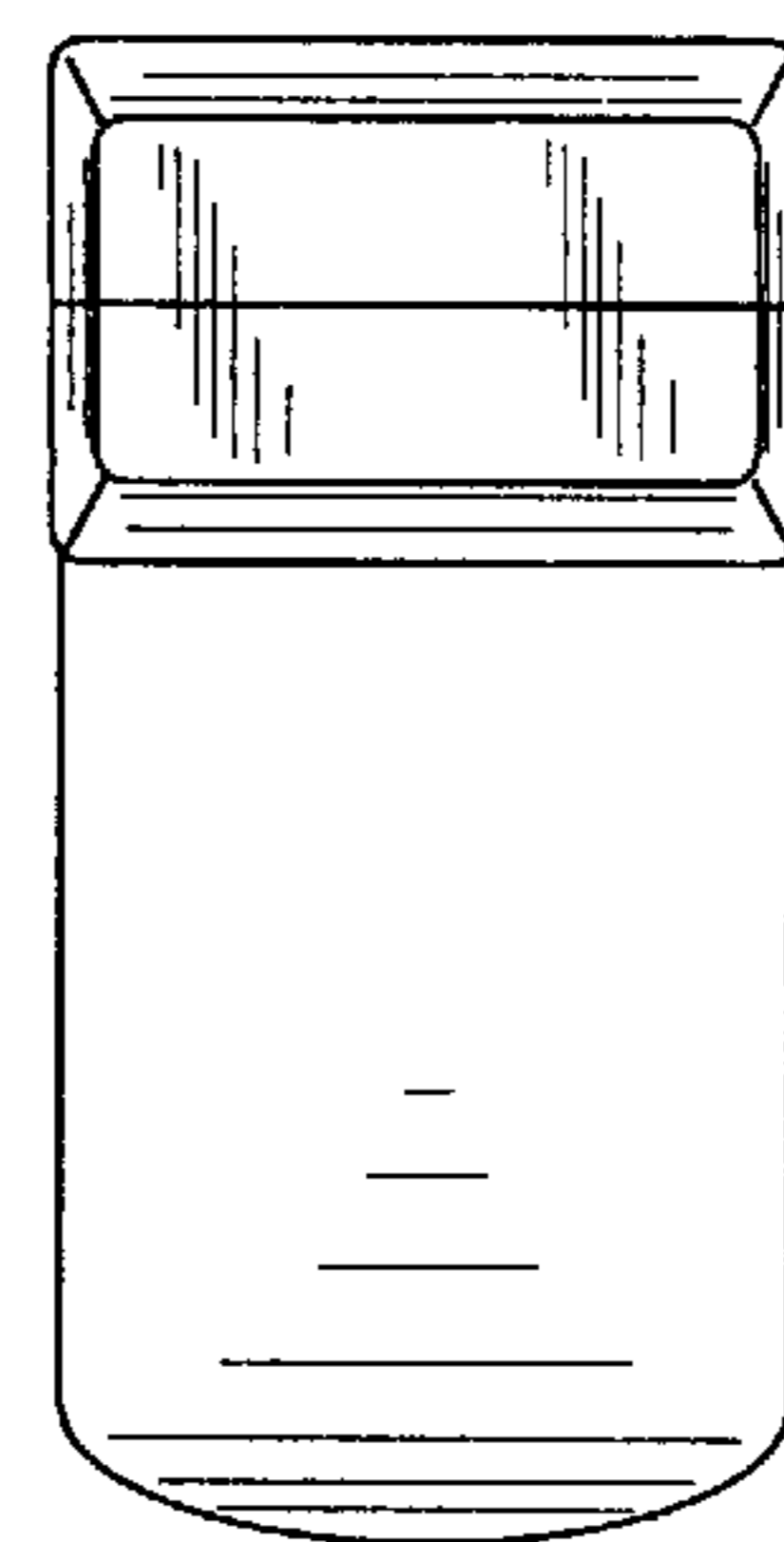


FIG. 3

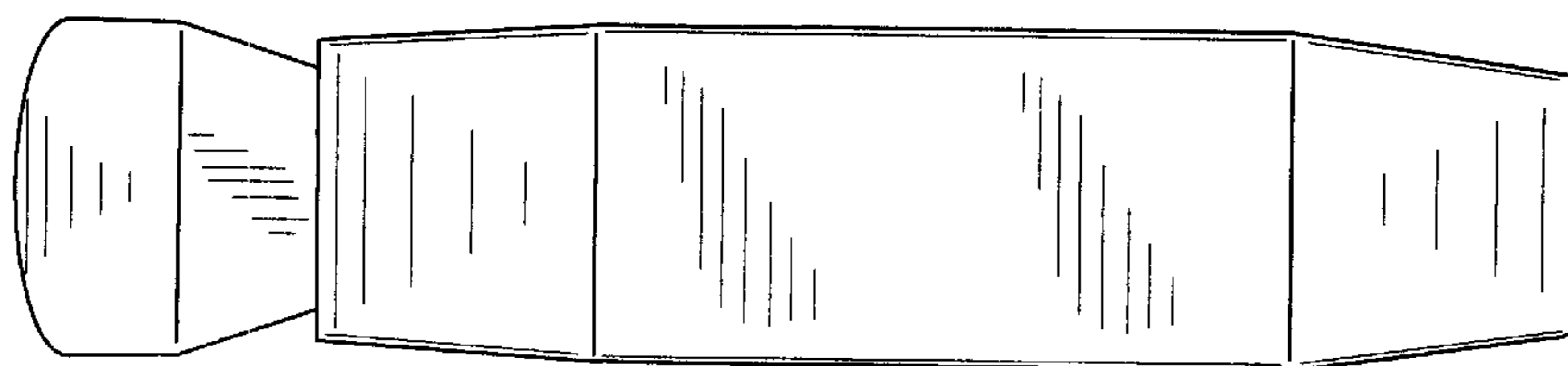


FIG. 4

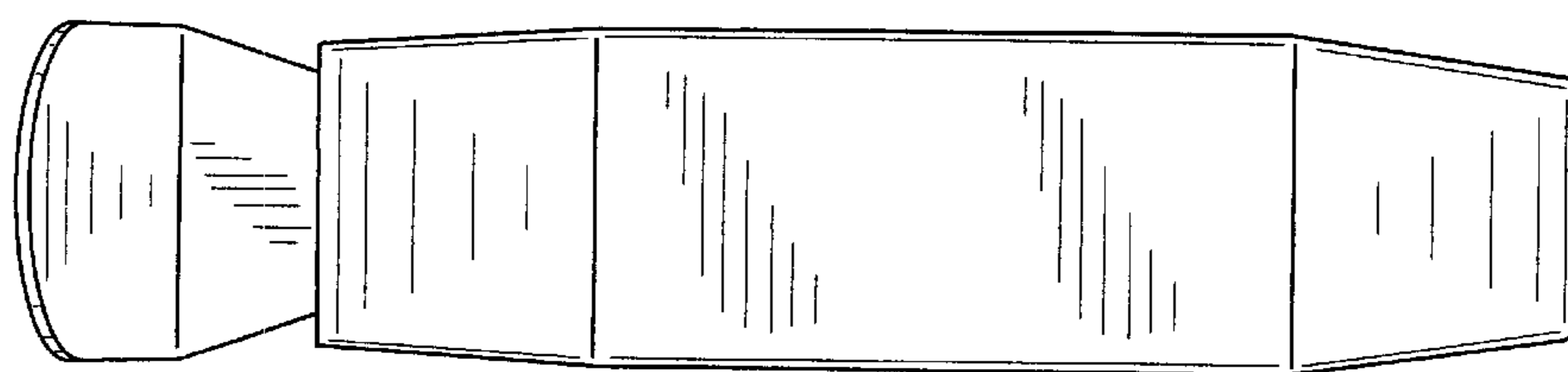


FIG. 5

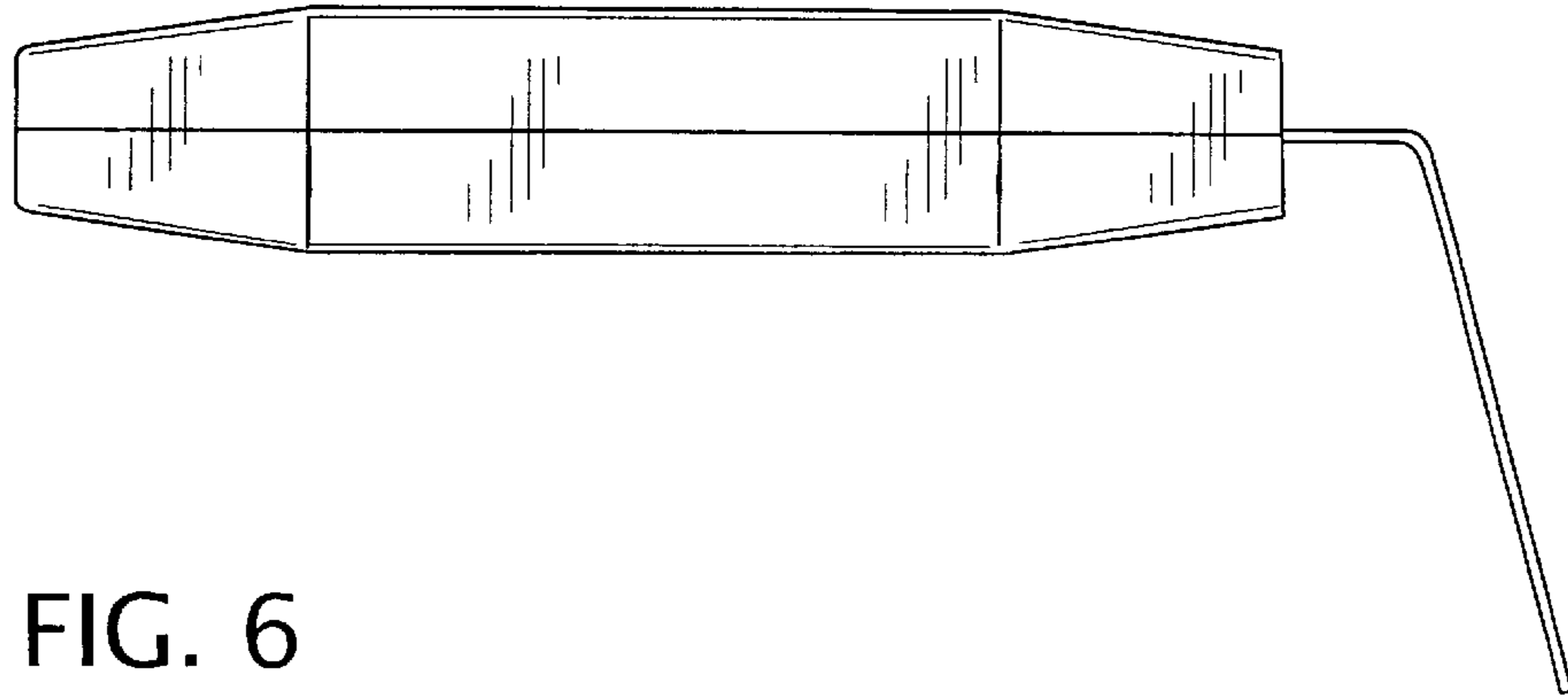


FIG. 6

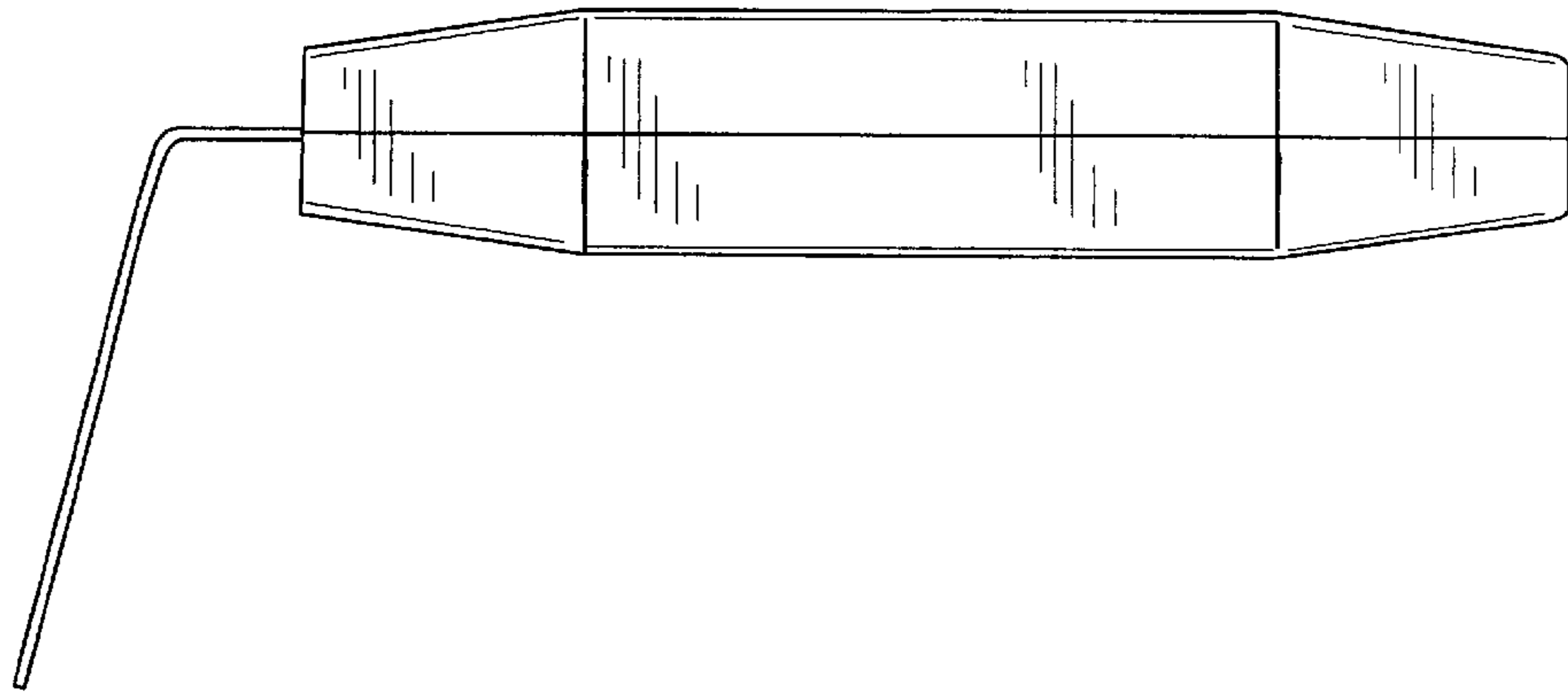


FIG. 7