

US00D543807S

(12) **United States Design Patent** (10) **Patent No.:** **US D543,807 S**
Noonan et al. (45) **Date of Patent:** **** Jun. 5, 2007**

(54) **WHEELED SHOVEL**

3,751,058 A 8/1973 Larsen
4,153,287 A 5/1979 Townsend

(75) Inventors: **Mark Noonan**, New Canaan, CT (US);
Robert Humphries, Danbury, CT (US)

(Continued)

(73) Assignee: **Structured Solutions II LLC**, New Canaan, CT (US)

FOREIGN PATENT DOCUMENTS

(**) Term: **14 Years**

CA	2501109	3/2005
CN	200510059163.8	3/2005
EP	05251703.8	3/2005
FR	865.426	5/1941
JP	2005-87306	3/2005
WOPCT/US2005/0093347		3/2005

(21) Appl. No.: **29/234,046**

(22) Filed: **Jul. 13, 2005**

OTHER PUBLICATIONS

Related U.S. Application Data

(63) Continuation-in-part of application No. 10/808,841, filed on Mar. 25, 2004, now Pat. No. 7,111,418.

Field Corn Planter, http://etc.usf.edu/clipart/4200/4213/planter_5.htm, Mar. 11, 2005, 2 pages.
U.S. Appl. No. 10/808,841, filed Mar. 25, 2004, Noonan.
Two Photographs of Wovel® Wheeled Shovel, Jan. 2005.

(51) **LOC (8) Cl.** **08-01**

(52) **U.S. Cl.** **D8/10**

(58) **Field of Classification Search** D8/10;
294/51, 53.5, 54.5, 56, 58, 54.4, 57; 37/265,
37/284, 285, 264, 278, 273; 172/354, 358,
172/365

Primary Examiner—Holly H. Baynham
Assistant Examiner—Sheryl Friedman
(74) *Attorney, Agent, or Firm*—Harness, Dickey & Pierce, P.L.C.

See application file for complete search history.

(57) **CLAIM**

The ornamental appearance for a wheeled shovel, as shown and described.

(56) **References Cited**

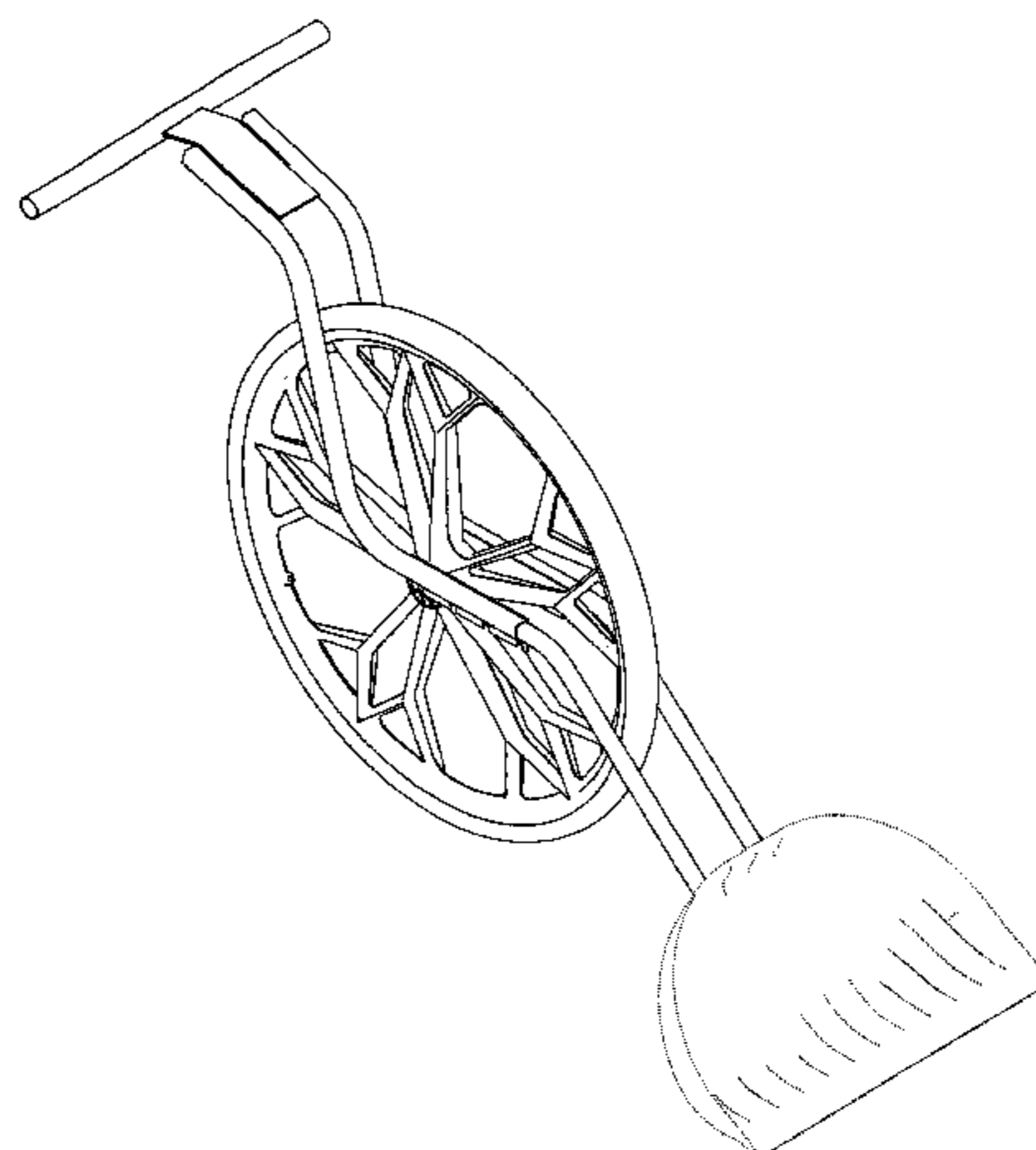
DESCRIPTION

U.S. PATENT DOCUMENTS

328,633 A	*	10/1885	Angell	37/265
998,517 A		7/1911	Humm	
1,514,076 A		11/1924	Brown	
1,683,732 A		9/1928	Selin	
2,470,217 A	*	5/1949	McLoughlin	37/434
2,520,606 A	*	8/1950	McLoughlin	414/444
2,715,786 A		8/1955	Dorko	
2,863,232 A		12/1958	Steinbach et al.	
2,867,827 A		1/1959	Gantz	
2,930,152 A		3/1960	Pipkin	
3,107,446 A	*	10/1963	Messinger	37/434
3,136,574 A	*	6/1964	Pasquale	294/54.5
3,468,041 A		9/1969	Mattson et al.	
3,469,326 A		9/1969	Malickson	
3,475,838 A	*	11/1969	Hagen et al.	37/265
3,643,356 A		2/1972	Gohl	
3,748,761 A		7/1973	Chetwynde	

FIG. 1 is an upper perspective view of the wheeled shovel, showing our new design;
FIG. 2 is another upper perspective view of the wheeled shovel thereof;
FIG. 3 is a lower perspective view thereof;
FIG. 4 is another lower perspective view thereof;
FIG. 5 is a top plan view thereof;
FIG. 6 is a bottom plan view thereof;
FIG. 7 is a front elevation view thereof;
FIG. 8 is a rear elevation view thereof;
FIG. 9 is a right elevation view thereof; and,
FIG. 10 is a left elevation view thereof.
The details shown in broken lines are for illustrative purposes only and form no part of the claimed design.

1 Claim, 10 Drawing Sheets



US D543,807 S

Page 2

U.S. PATENT DOCUMENTS					
4,161,073	A	7/1979 Oakes	5,581,915	A	12/1996 Lobato
4,179,828	A	12/1979 Brunty	5,727,799	A	3/1998 DiSario
4,214,385	A	7/1980 Baranowski et al.	5,810,408	A *	9/1998 Armstrong 294/57
4,224,751	A	9/1980 Schoemann et al.	5,918,921	A	7/1999 Samuelson
4,231,604	A *	11/1980 Obergfell 294/59	D415,663	S	10/1999 Whitehead et al.
4,690,447	A *	9/1987 Adams 294/57	5,970,692	A	10/1999 Foster
4,704,758	A *	11/1987 Hoffman 15/144.4	6,053,548	A	4/2000 Bowles, Jr.
4,865,373	A *	9/1989 Hudson 294/54.5	6,163,986	A	12/2000 Townsend
D314,318	S	2/1991 Uimonen	6,334,640	B1 *	1/2002 Werner et al. 294/54.5
5,048,206	A	9/1991 Jones	D459,641	S	7/2002 Guneyasu
5,054,278	A *	10/1991 Thorndike 56/400.14	6,474,007	B1 *	11/2002 Sueshige et al. 37/266
5,074,064	A	12/1991 Nickels	6,643,958	B1	11/2003 Krejci
5,117,530	A	6/1992 Rank	6,675,507	B2	1/2004 Petruzzelli
5,123,187	A	6/1992 Zamaria	6,735,887	B1 *	5/2004 Muzzammel 37/285
5,511,327	A	4/1996 Jurkowski et al.	6,922,920	B1 *	8/2005 Stratz 37/197
D375,235	S	11/1996 Spear et al.	2005/0160663	A1	7/2005 Noonan

* cited by examiner

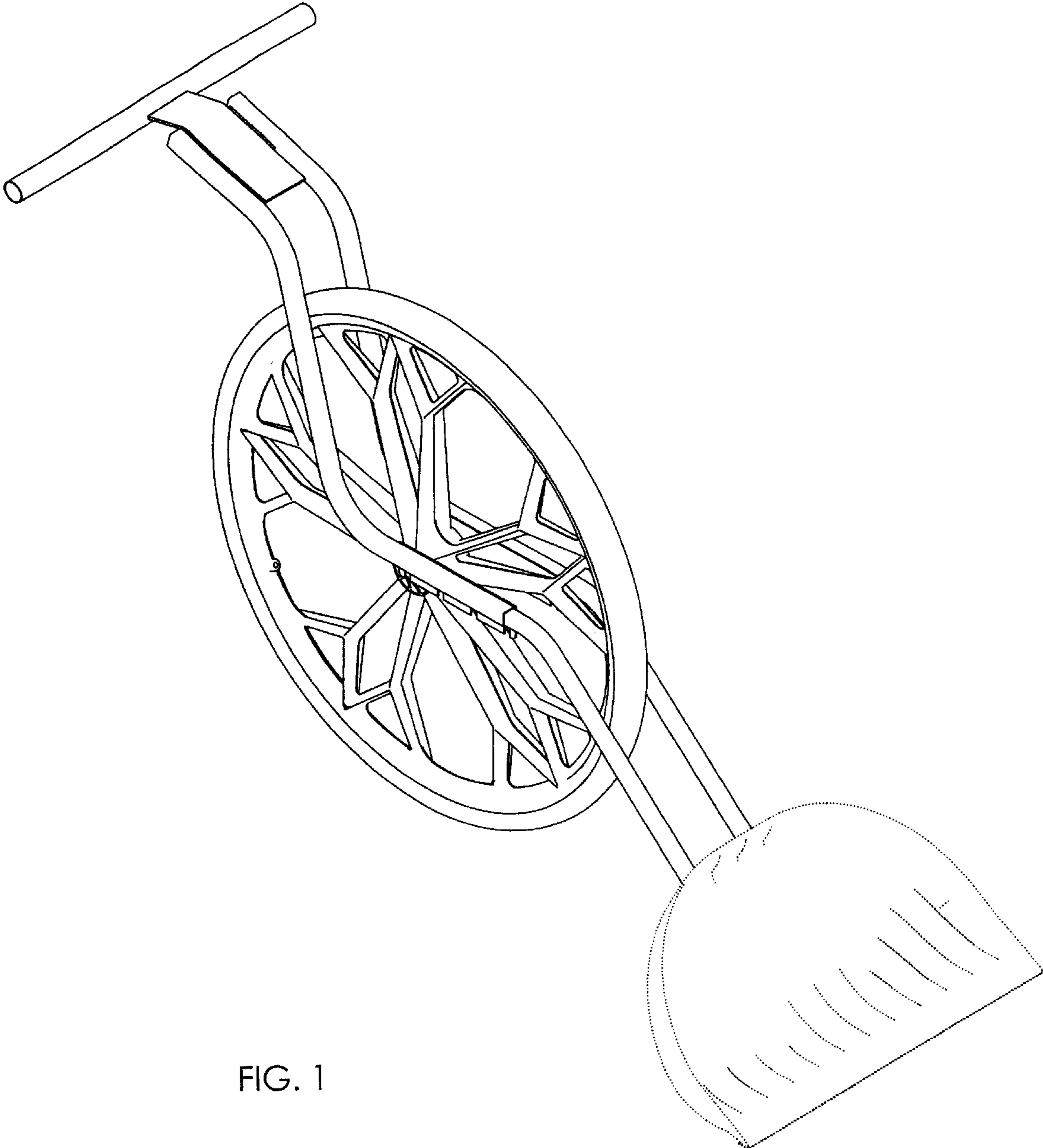


FIG. 1

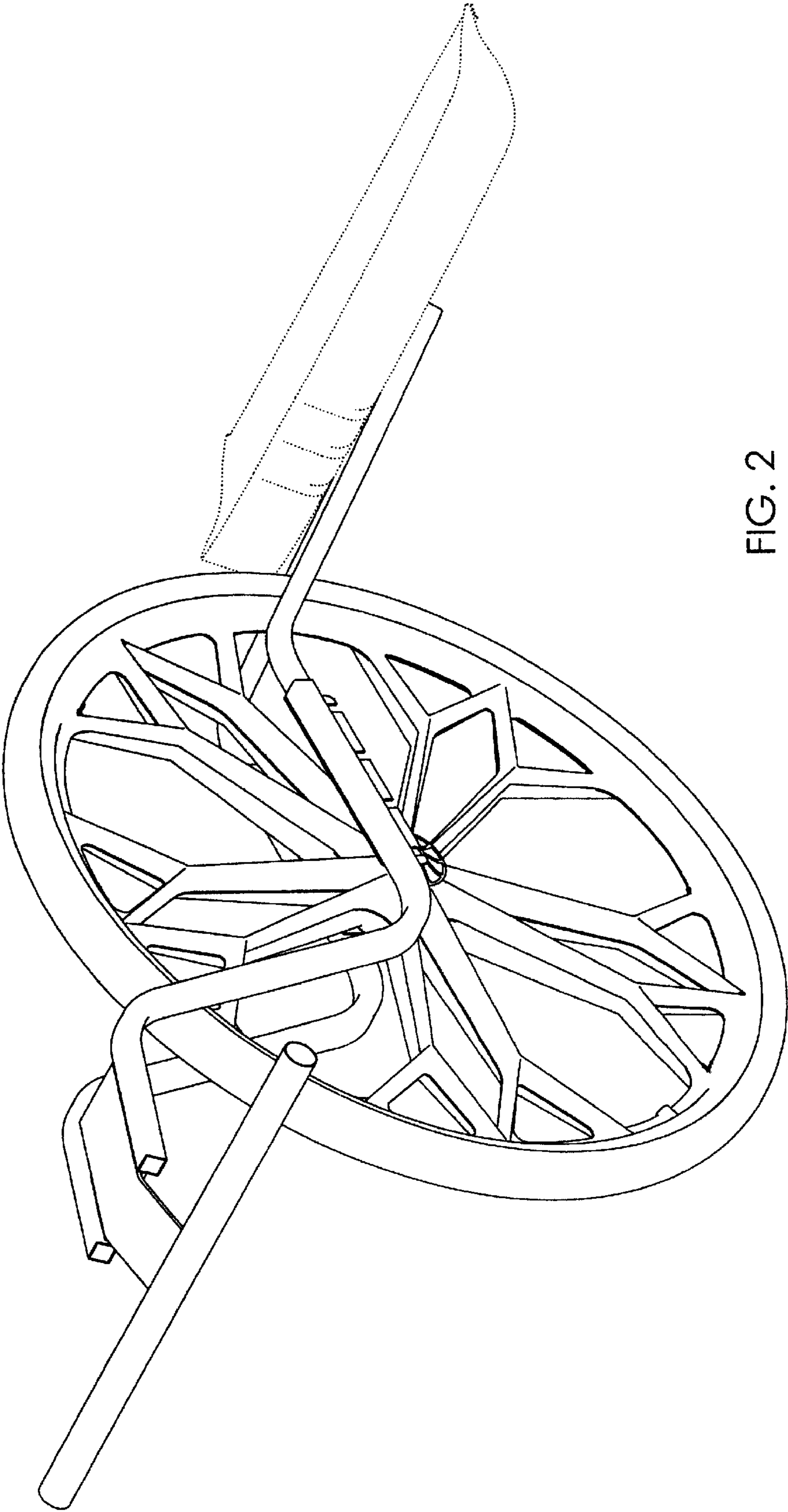


FIG. 2

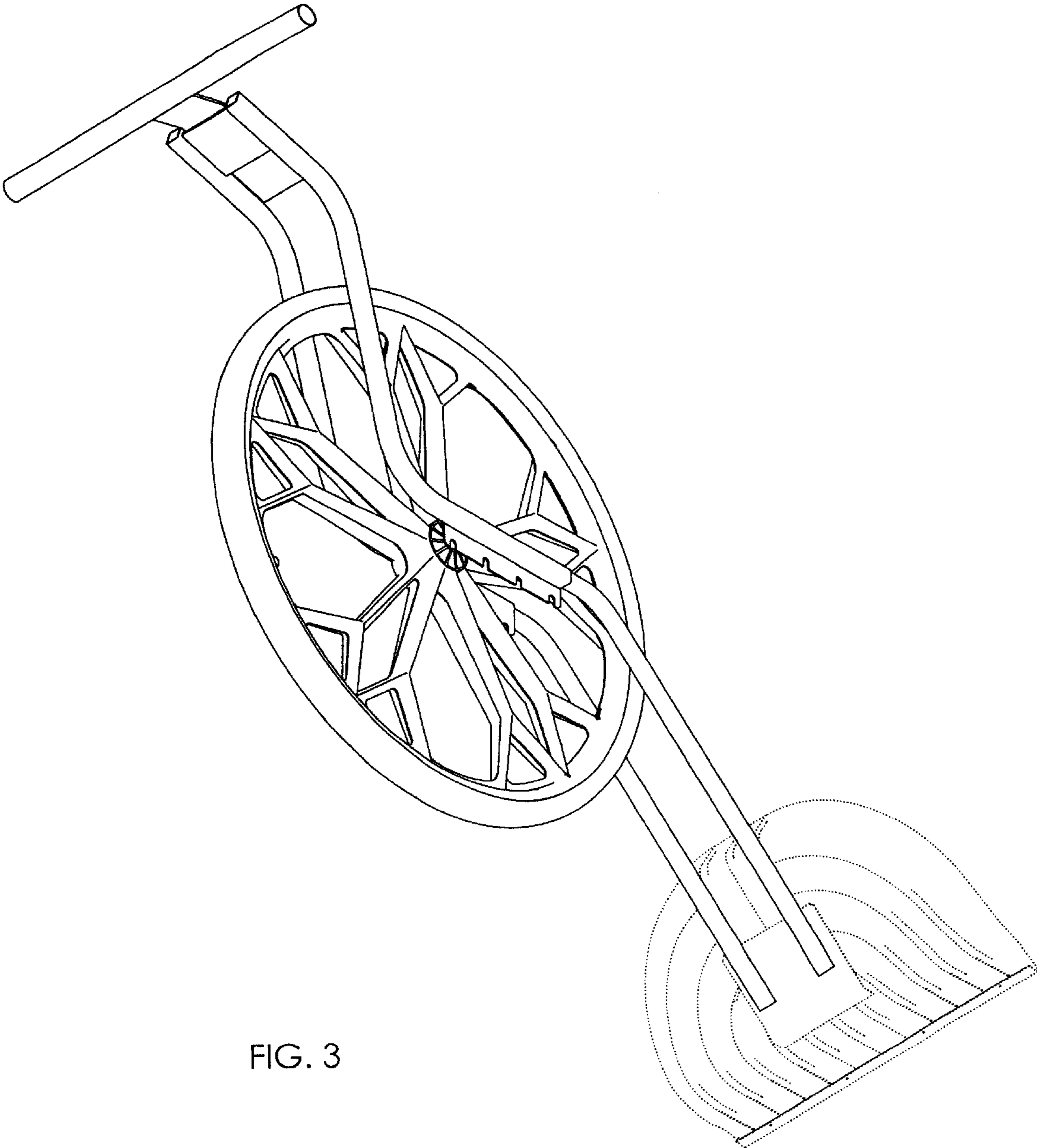


FIG. 3

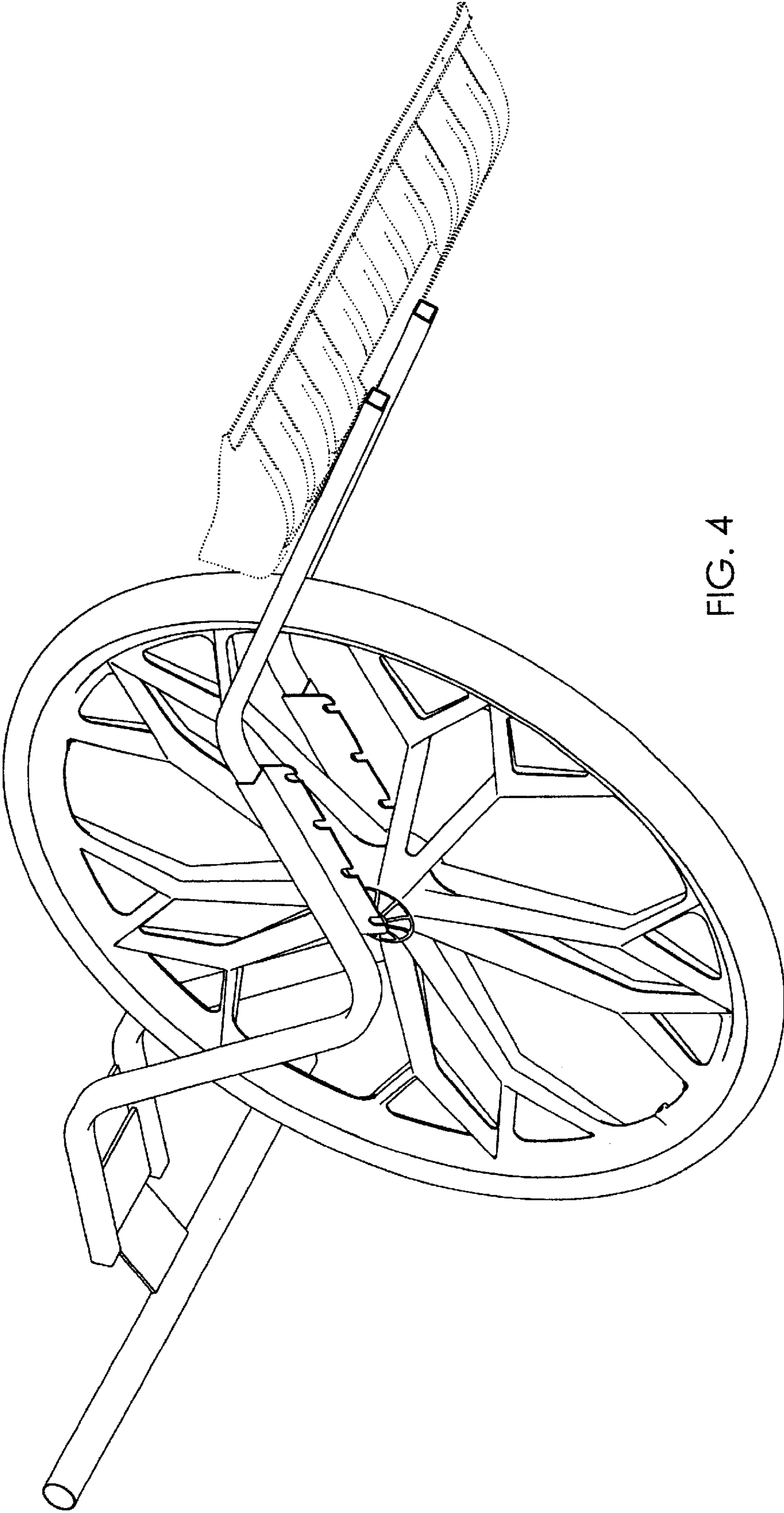


FIG. 4

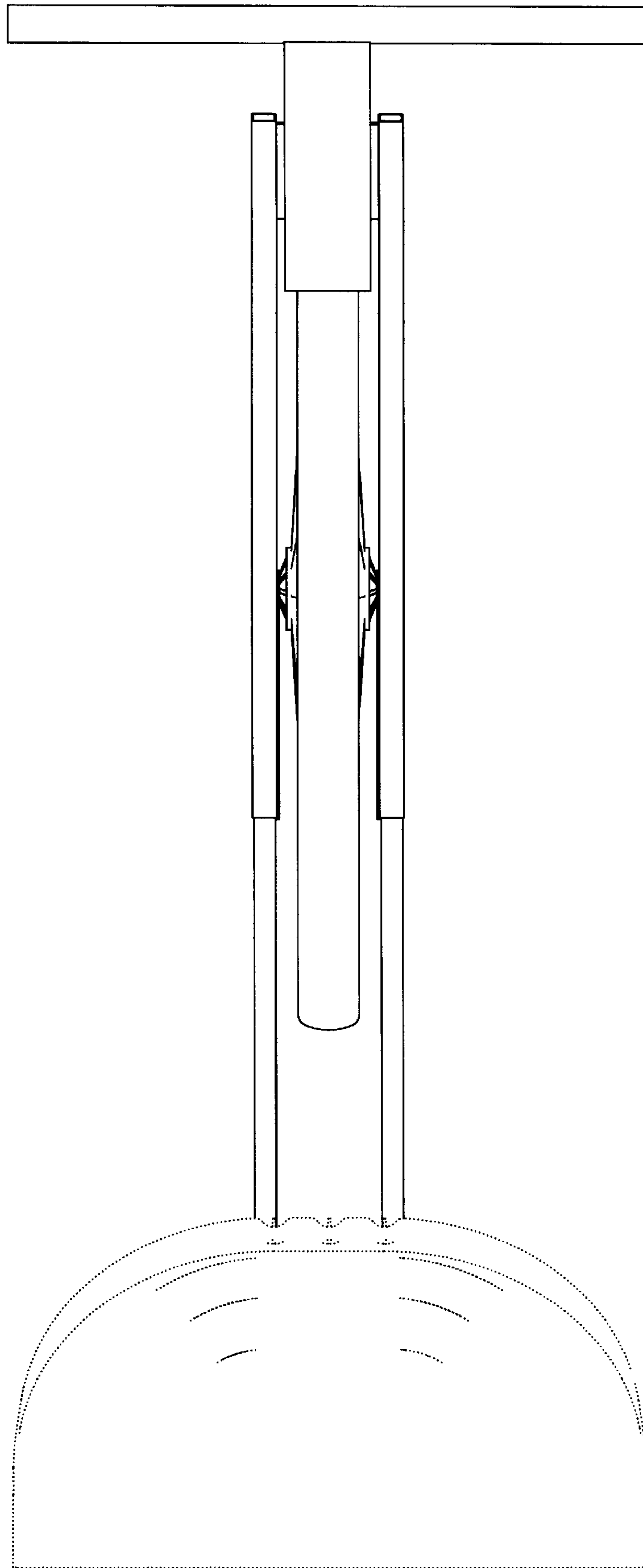


FIG. 5

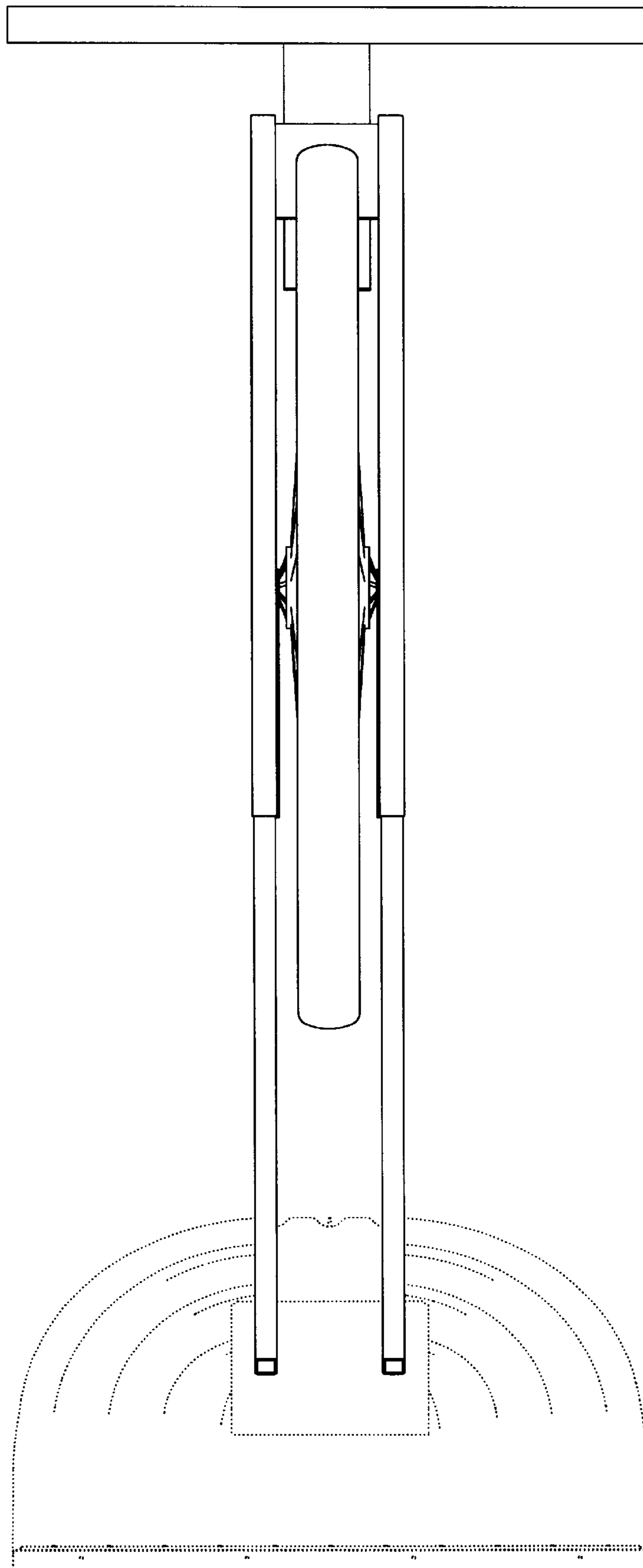


FIG. 6

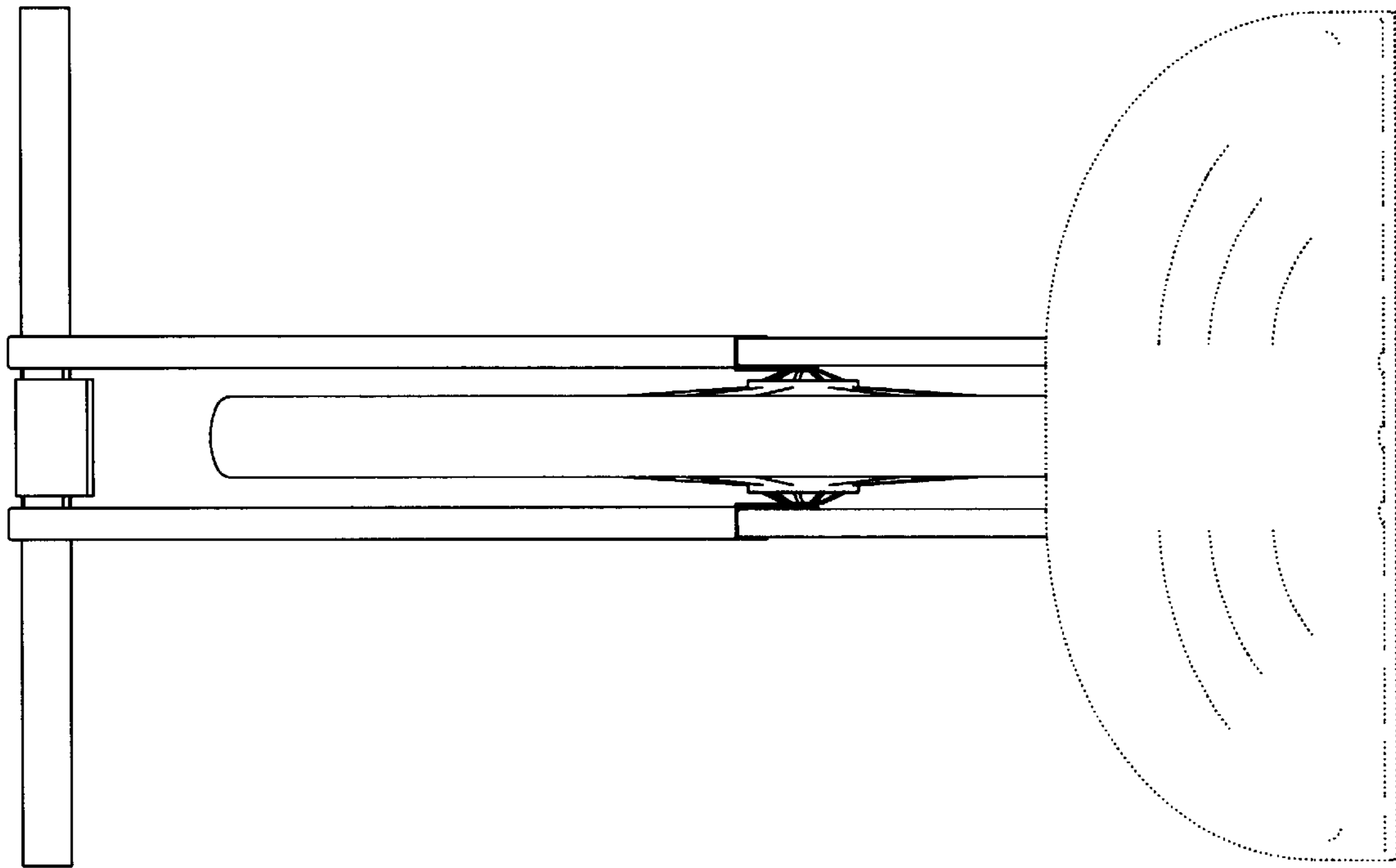


FIG. 7

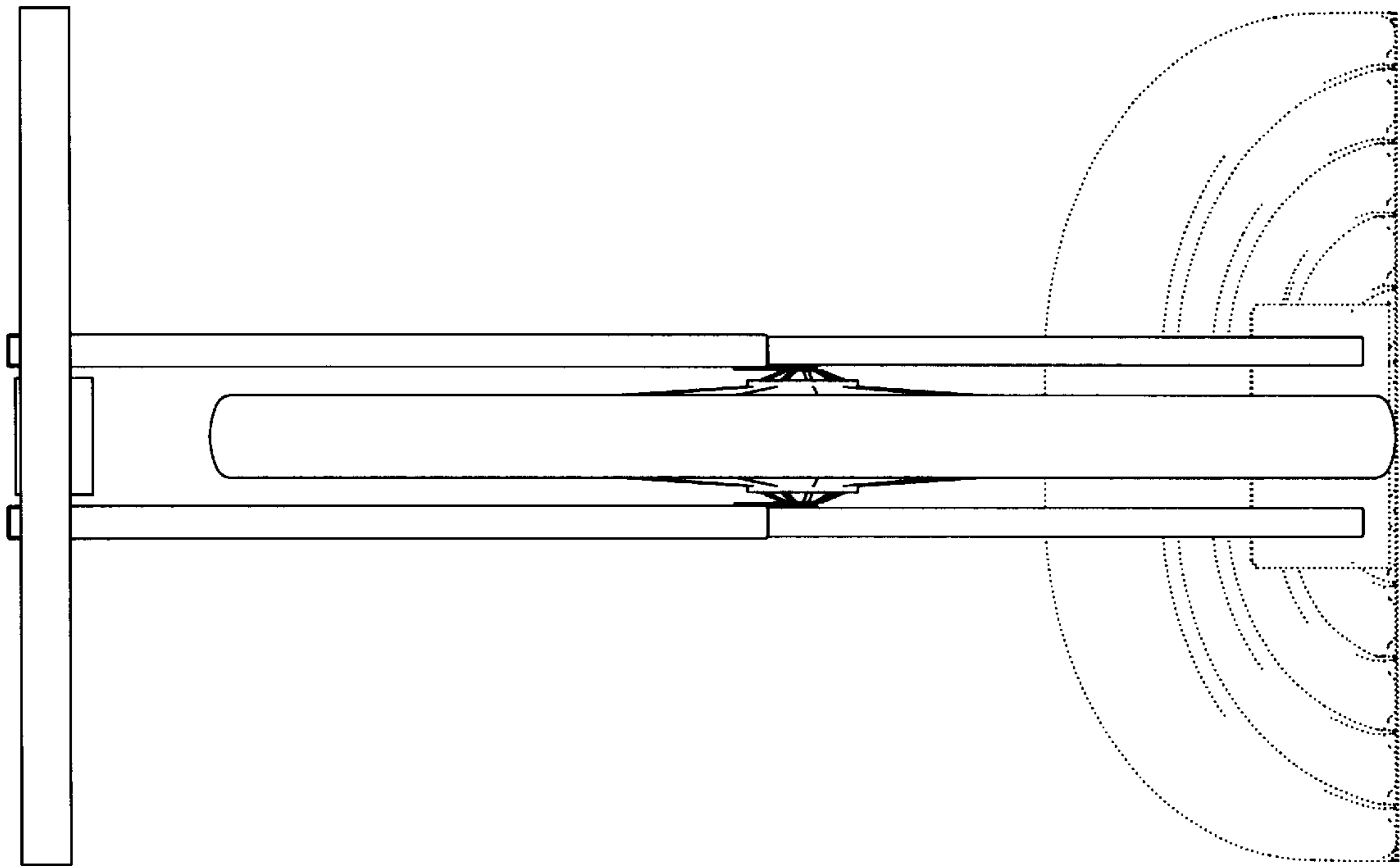


FIG. 8

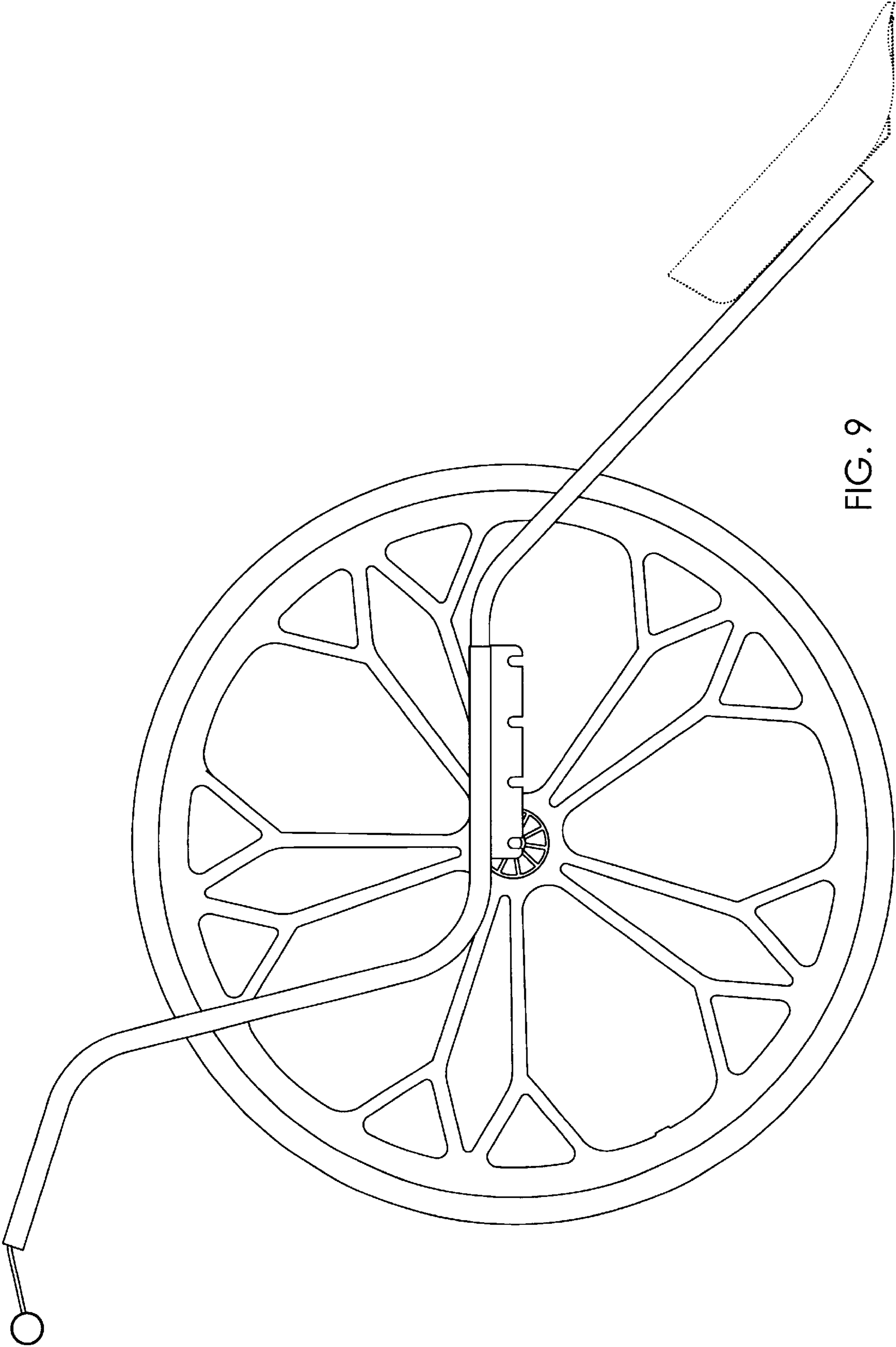


FIG. 9

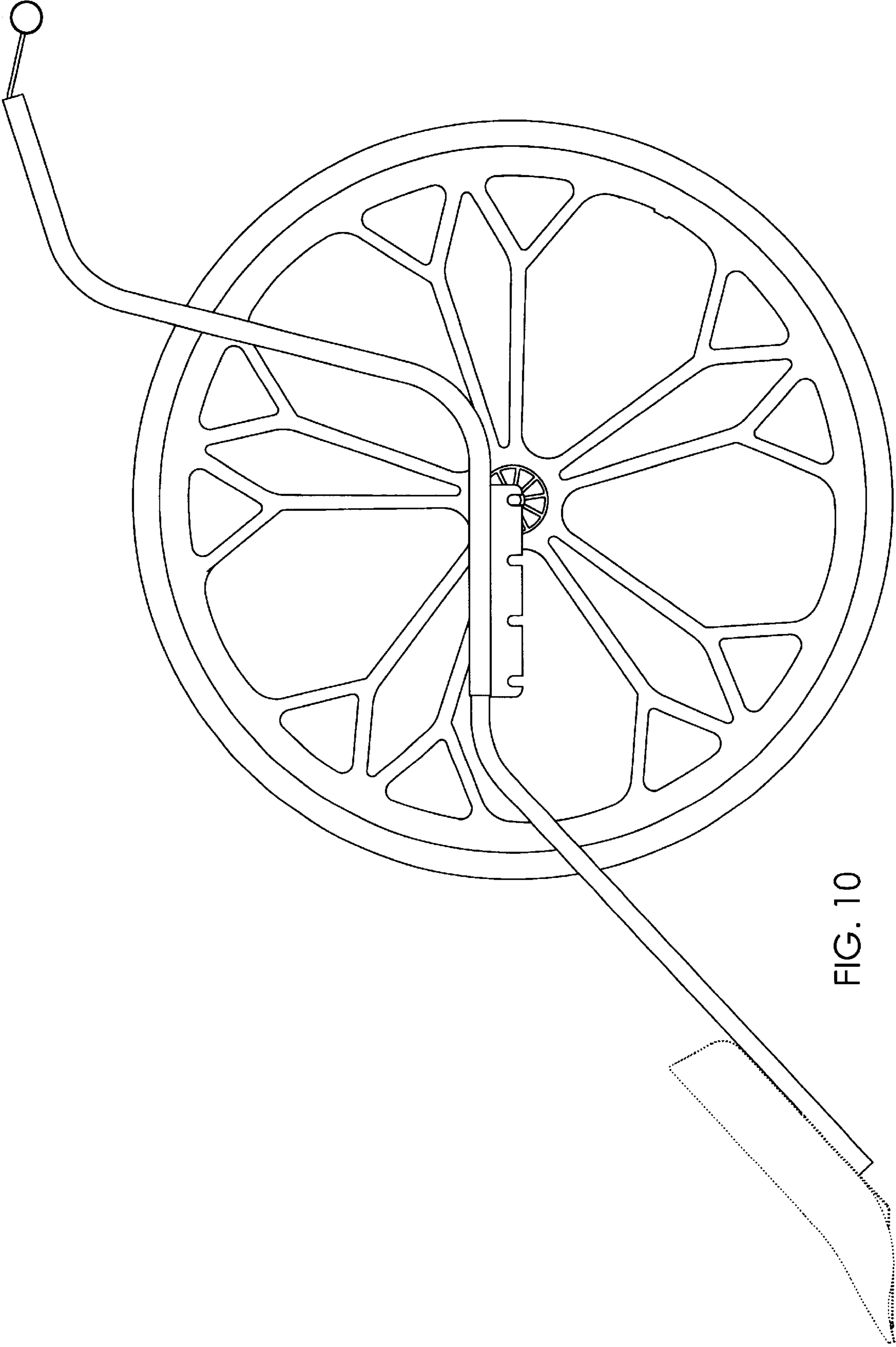


FIG. 10