



US00D543806S

(12) **United States Design Patent** (10) **Patent No.:** **US D543,806 S**
Ethington (45) **Date of Patent:** **** Jun. 5, 2007**

(54) **LINKAGE FOR A CLAM-SHELL RAKE**

(74) *Attorney, Agent, or Firm*—Audrey A. Millemann;
Weintraub Genshlea Chediak

(76) Inventor: **Lyle K. Ethington**, 5878 Gibson Pl.,
Granite Bay, CA (US) 95746

(**) Term: **14 Years**

(57) **CLAIM**

The ornamental design for a linkage for a clam-shell rake, as shown and described.

(21) Appl. No.: **29/230,145**

(22) Filed: **May 16, 2005**

DESCRIPTION

(51) **LOC (8) Cl.** **08-01**

FIG. 1 is a perspective view of a linkage mechanism for a clam-shell rake, showing my new design in full lines.

(52) **U.S. Cl.** **D8/10**

FIG. 2 is a perspective view of the linkage mechanism for a clam-shell rake shown in FIG. 1.

(58) **Field of Classification Search** 294/53,
294/54, 55.5, 57; D8/1, 10, 14, 370
See application file for complete search history.

FIG. 3 is a front view thereof, the opposite side being a mirror image.

(56) **References Cited**

U.S. PATENT DOCUMENTS

2,942,404	A	6/1960	Grangie	
3,264,809	A	8/1966	Jackson	
3,328,066	A	6/1967	Johnston	
3,601,966	A	8/1971	Kerry	
4,143,899	A	3/1979	Wetherall et al.	
D345,492	S *	3/1994	Mele	D8/10
5,465,510	A *	11/1995	Goodnough et al.	37/285
D373,292	S *	9/1996	Motley	D8/10
D384,558	S *	10/1997	Mele	D8/10
D405,664	S *	2/1999	Stryd	D8/10
6,151,878	A	11/2000	Kalavitis	
6,357,809	B1	3/2002	Gregoire	
D461,106	S *	8/2002	Stryd et al.	D8/10
D474,948	S	5/2003	Crites	

FIG. 4 is a left side view thereof, the opposite side being a mirror image.

FIG. 5 is a top view thereof.

FIG. 6 is a bottom view thereof.

FIG. 7 is a front view of an alternate embodiment of the linkage mechanism for a clam-shell rake shown in FIG. 2; and,

FIG. 8 is a side view of an alternate embodiment of the linkage mechanism for a clam-shell rake shown in FIG. 2.

FIG. 1-6 are drawn broken away to show indeterminate length.

OTHER PUBLICATIONS

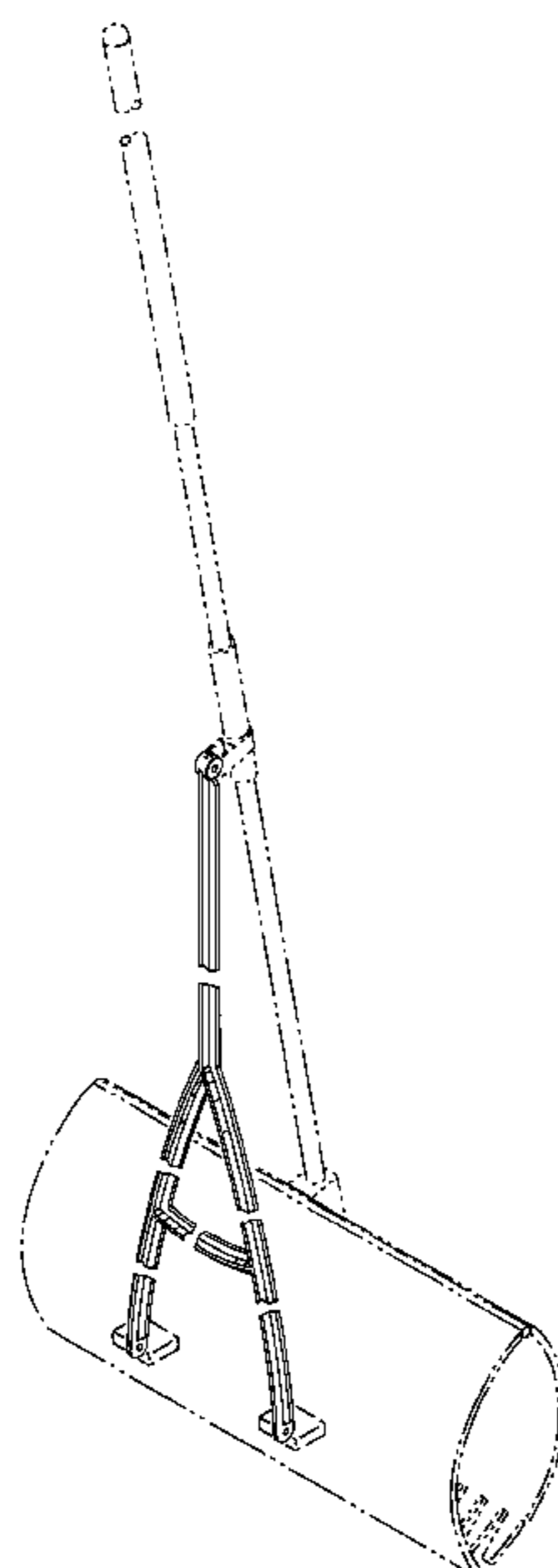
Flyer for EZ Rake, 2002, no page number.

The broken line showing of the rake is included for the purpose of illustrating environmental structure and forms no part of the claimed design.

* cited by examiner

Primary Examiner—Holly H. Baynham
Assistant Examiner—Sheryl Friedman

1 Claim, 5 Drawing Sheets



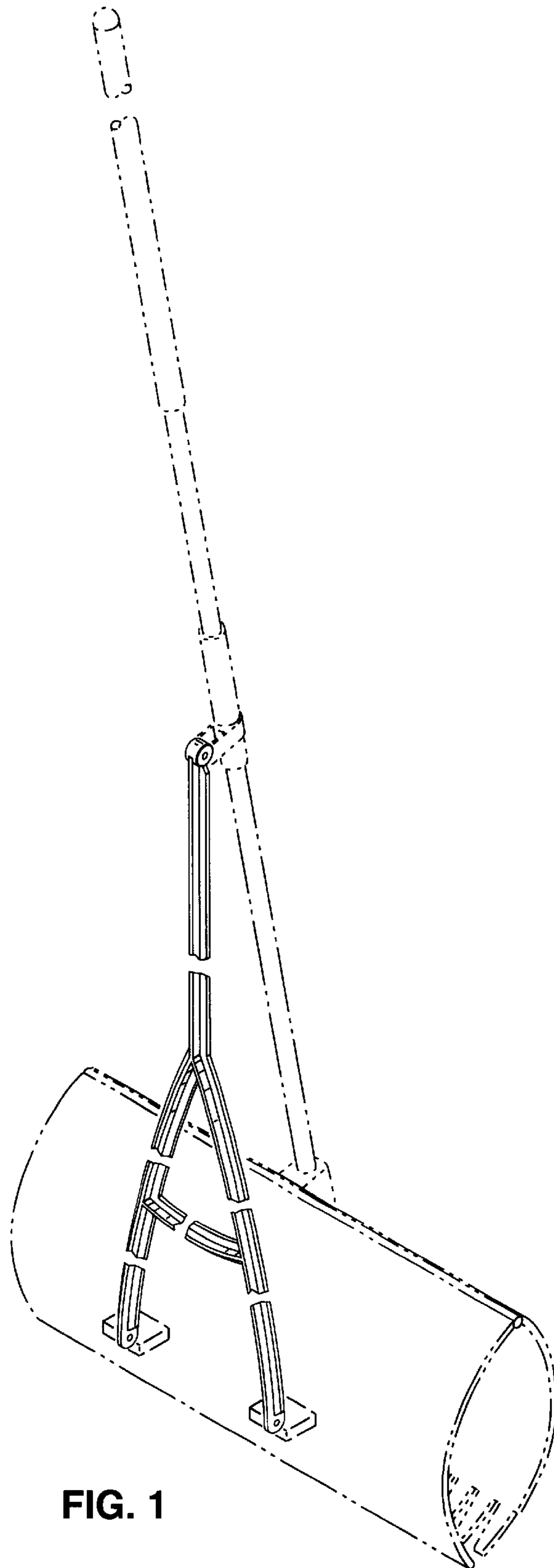


FIG. 1

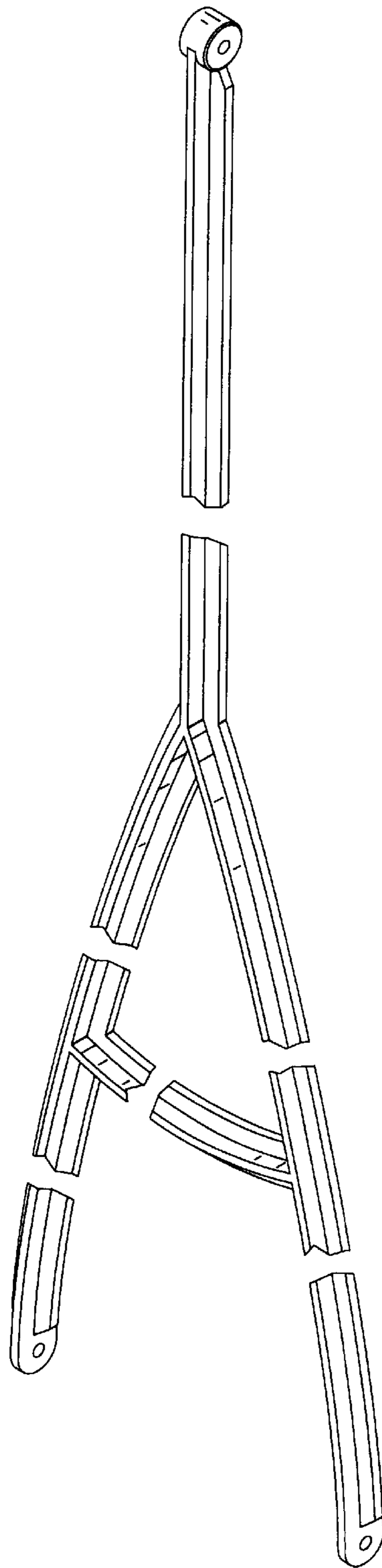


FIG. 2

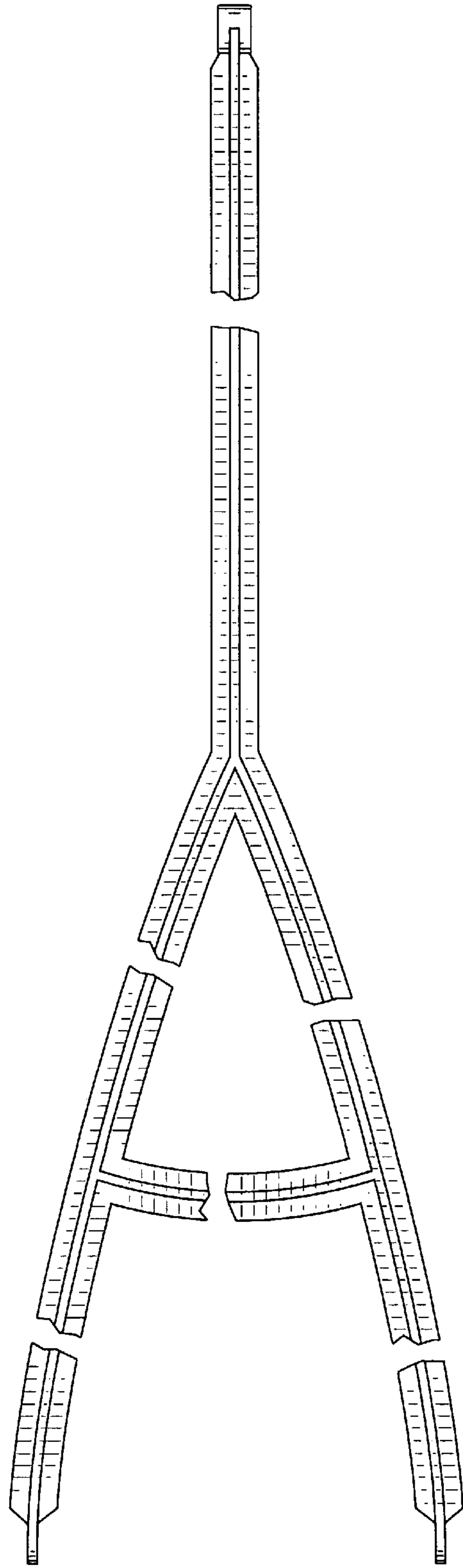


FIG. 3

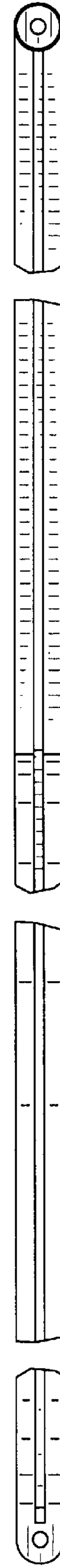


FIG. 4

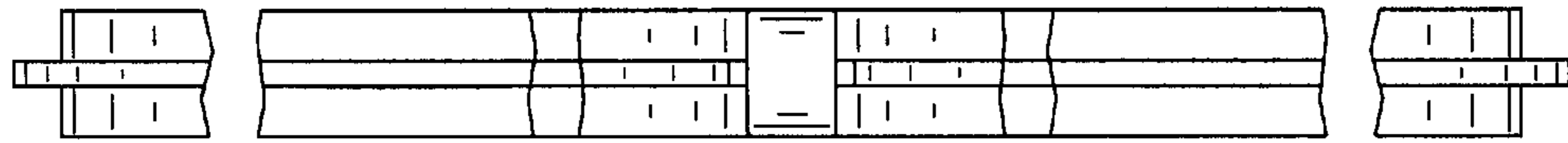


FIG. 5

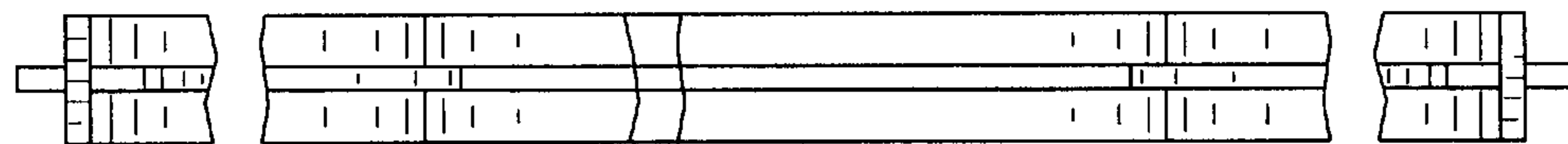


FIG. 6

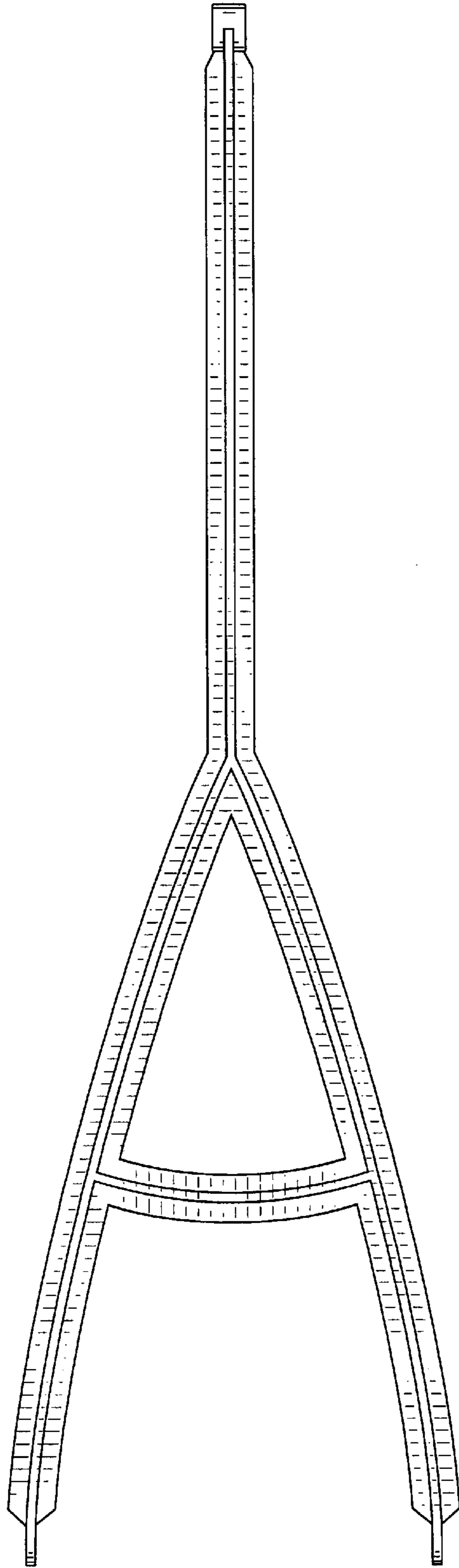


FIG. 7

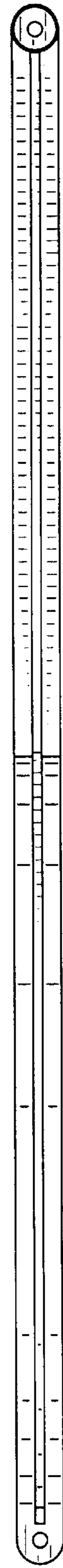


FIG. 8