



US00D543787S

(12) **United States Design Patent**
Wasserman et al.

(10) **Patent No.: US D543,787 S**

(45) **Date of Patent: ** Jun. 5, 2007**

(54) **DOUBLE WALLED METALLIC BOWL**

(75) Inventors: **David M. Wasserman**, Whitefish Bay, WI (US); **Rebecca J. Schreiber-Pethan**, Sheboygan, WI (US)

(73) Assignee: **The Vollrath Company, L.L.C.**, Sheboygan, WI (US)

(**) Term: **14 Years**

(21) Appl. No.: **29/239,252**

(22) Filed: **Sep. 28, 2005**

(51) **LOC (8) Cl.** **07-01**

(52) **U.S. Cl.** **D7/570; D7/565; D7/584; D7/602**

(58) **Field of Classification Search** D7/500, D7/510, 511, 523, 524, 526, 527, 528, 530-532, D7/538-542, 560-562, 568, 545, 584, 586, D7/587, 601, 602, 608, 354-358, 565, 691, D7/570-575, 323, 392.1, 547, 566, 396.4, D7/396.5; D9/502, 504, 516, 535, 539, 555, D9/738, 739

See application file for complete search history.

(56) **References Cited**

U.S. PATENT DOCUMENTS

184,814 A	11/1876	Adam	
1,093,648 A	4/1914	Potter	
D50,194 S	1/1917	Haley	
D50,398 S	2/1917	Miller	
D50,401 S	2/1917	Miller	
1,607,864 A	11/1926	Butler	
D75,939 S	7/1928	Tennhardt	
D81,921 S *	9/1930	Dwyer D7/585
D94,245 S	1/1935	Sebring, Jr. et al.	
2,050,206 A	8/1936	Chaplin	
D209,307 S	11/1967	Schilling	
D214,678 S	7/1969	Weeber	

D219,748 S *	1/1971	Bixler D7/554.1
3,792,809 A	2/1974	Schneider et al.	
D248,269 S *	6/1978	Schreckengost D7/565
D254,714 S *	4/1980	Mascia et al. D9/506
D256,756 S *	9/1980	Painter et al. D7/584
D264,791 S	6/1982	Conti	
D264,792 S	6/1982	Conti	
D288,515 S	3/1987	Rimmeir	
D289,245 S	4/1987	Ritman	
D289,246 S	4/1987	Ritman	
D289,717 S	5/1987	Ritman	
D291,757 S	9/1987	Ritman	
D315,658 S	3/1991	Scherer	
D321,815 S	11/1991	Bowdler	
D325,112 S	4/1992	Thompson	
5,172,826 A	12/1992	Celaya	
D340,617 S	10/1993	Douglas	

(Continued)

Primary Examiner—Philip S. Hyder
Assistant Examiner—Cynthia Underwood
(74) *Attorney, Agent, or Firm*—Foley & Lardner LLP

(57) **CLAIM**

We claim the ornamental design for a double walled metallic bowl, as shown and described.

DESCRIPTION

FIG. 1 is a top perspective view of a double walled metallic bowl according to my new design.

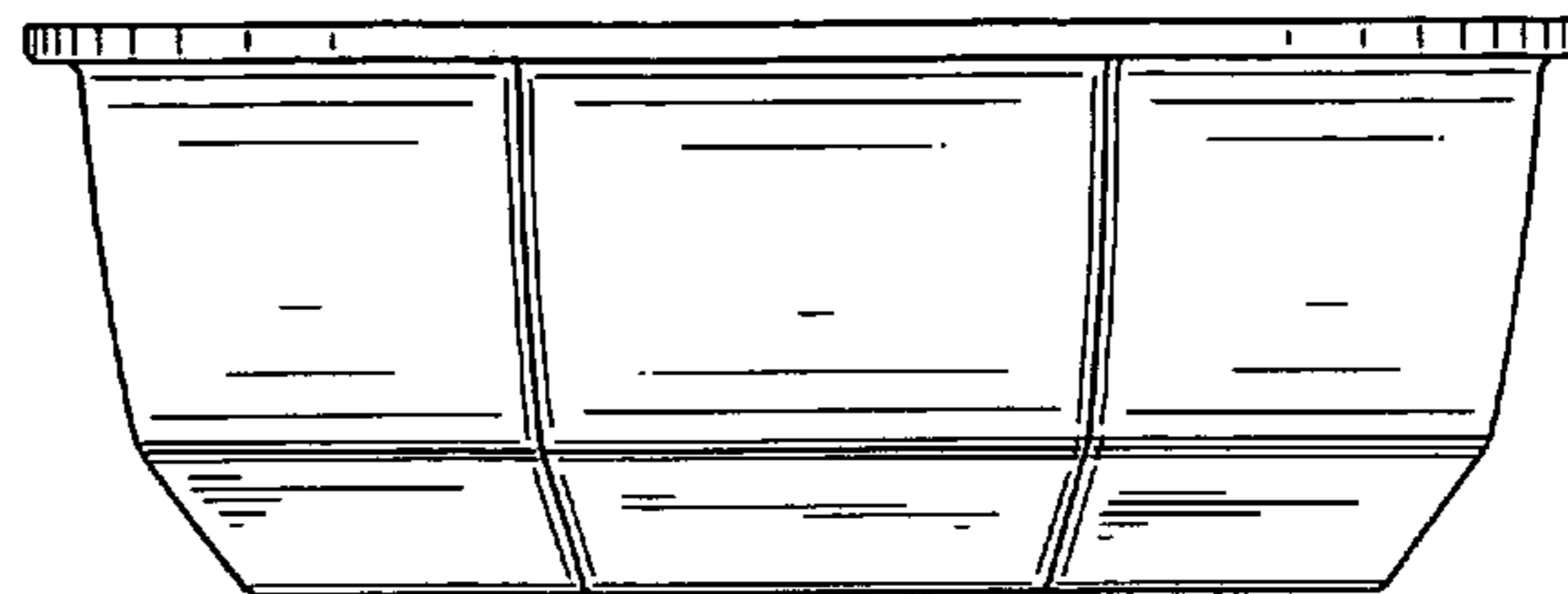
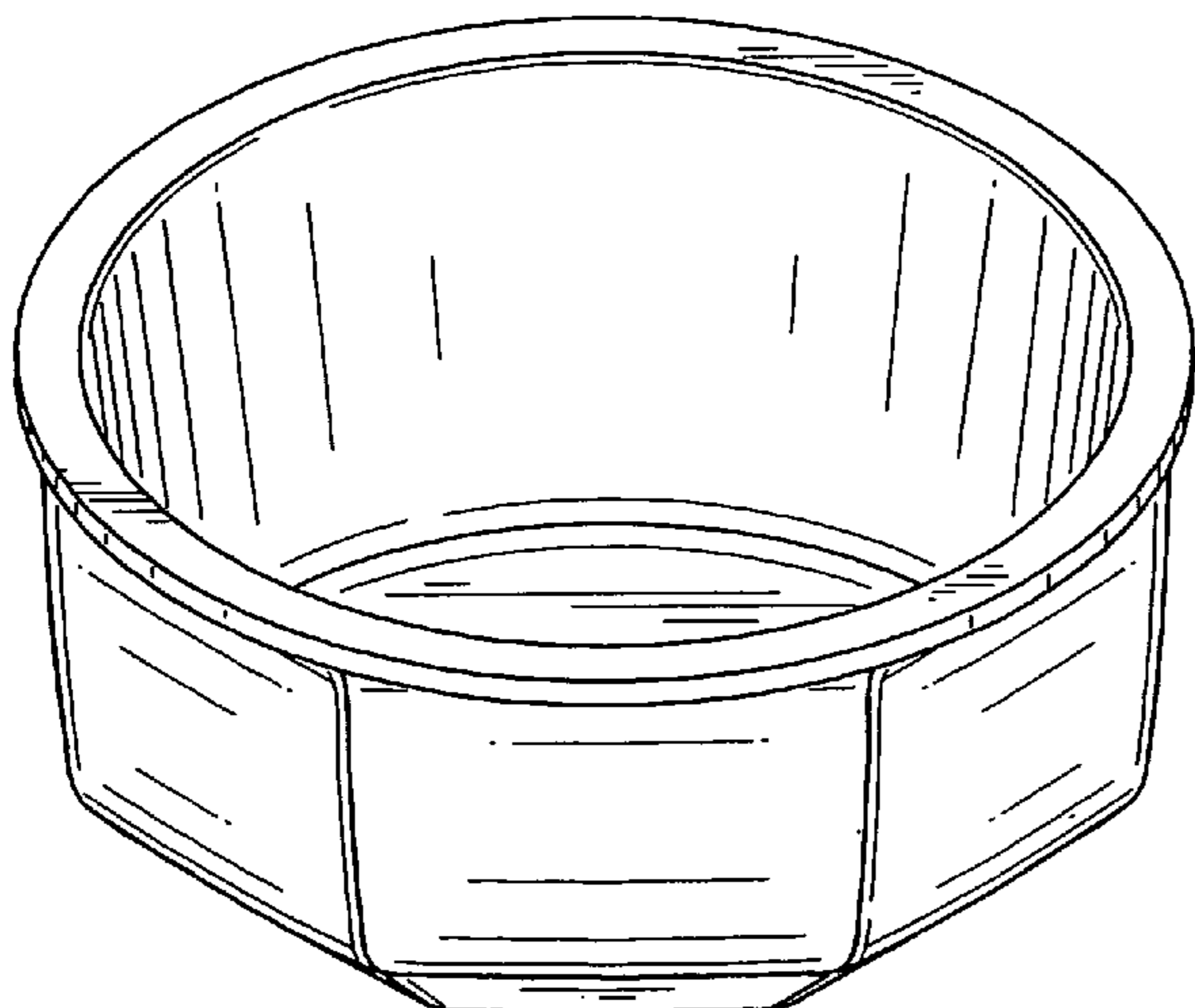
FIG. 2 is a front elevational view thereof, the rear elevational view, left end elevational view and right end elevational view being the same as the front elevational view shown;

FIG. 3 is a top plan view thereof;

FIG. 4 is bottom plan view thereof; and,

FIG. 5 is a sectional view thereof taken along line 5—5 of FIG. 3.

1 Claim, 3 Drawing Sheets



US D543,787 S

Page 2

U.S. PATENT DOCUMENTS

D345,716 S	4/1994	Kwiatkowski		D457,389 S	5/2002	Snell	
D360,558 S	7/1995	Appleman		D458,807 S	6/2002	Trazzi	
D362,155 S	9/1995	Yee		D459,946 S	7/2002	Willat	
D362,594 S	9/1995	McEntee		D461,431 S *	8/2002	Ciocchini	D11/152
D367,413 S	2/1996	Ballin		D471,404 S	3/2003	Gady	
D371,939 S	7/1996	Rigney		D471,406 S	3/2003	Wellner	
D385,749 S *	11/1997	Ebrahim et al.	D7/565	D478,476 S	8/2003	Wellner	
D389,061 S *	1/1998	Ebrahim et al.	D9/542	D478,477 S	8/2003	Tisdale et al.	
5,706,980 A	1/1998	Dickerson		D480,269 S	10/2003	Currier	
D411,288 S	6/1999	Cuttriss		D481,262 S	10/2003	Tisdale et al.	
5,934,472 A	8/1999	Ramirez et al.		D482,967 S *	12/2003	Bourque et al.	D9/435
D424,879 S	5/2000	Biber		D485,127 S	1/2004	Maier-Aichen	
D428,770 S	8/2000	Wellner		D488,352 S	4/2004	Tisdale et al.	
D428,771 S	8/2000	Novi		D491,019 S	6/2004	Marsden et al.	
D432,362 S	10/2000	Fait		D494,062 S	8/2004	Willis	
D432,868 S	10/2000	Tan		D494,419 S	8/2004	Armer	
D438,794 S *	3/2001	Miles et al.	D9/429	D495,211 S	8/2004	Brown et al.	
D442,019 S	5/2001	Wyche		D511,437 S *	11/2005	Brown	D7/602
D442,425 S	5/2001	Wyche		D521,130 S *	5/2006	Mayer	D23/293.1
D443,476 S	6/2001	Miura		D525,532 S *	7/2006	Glass	D9/559
D456,211 S	4/2002	Price					

* cited by examiner

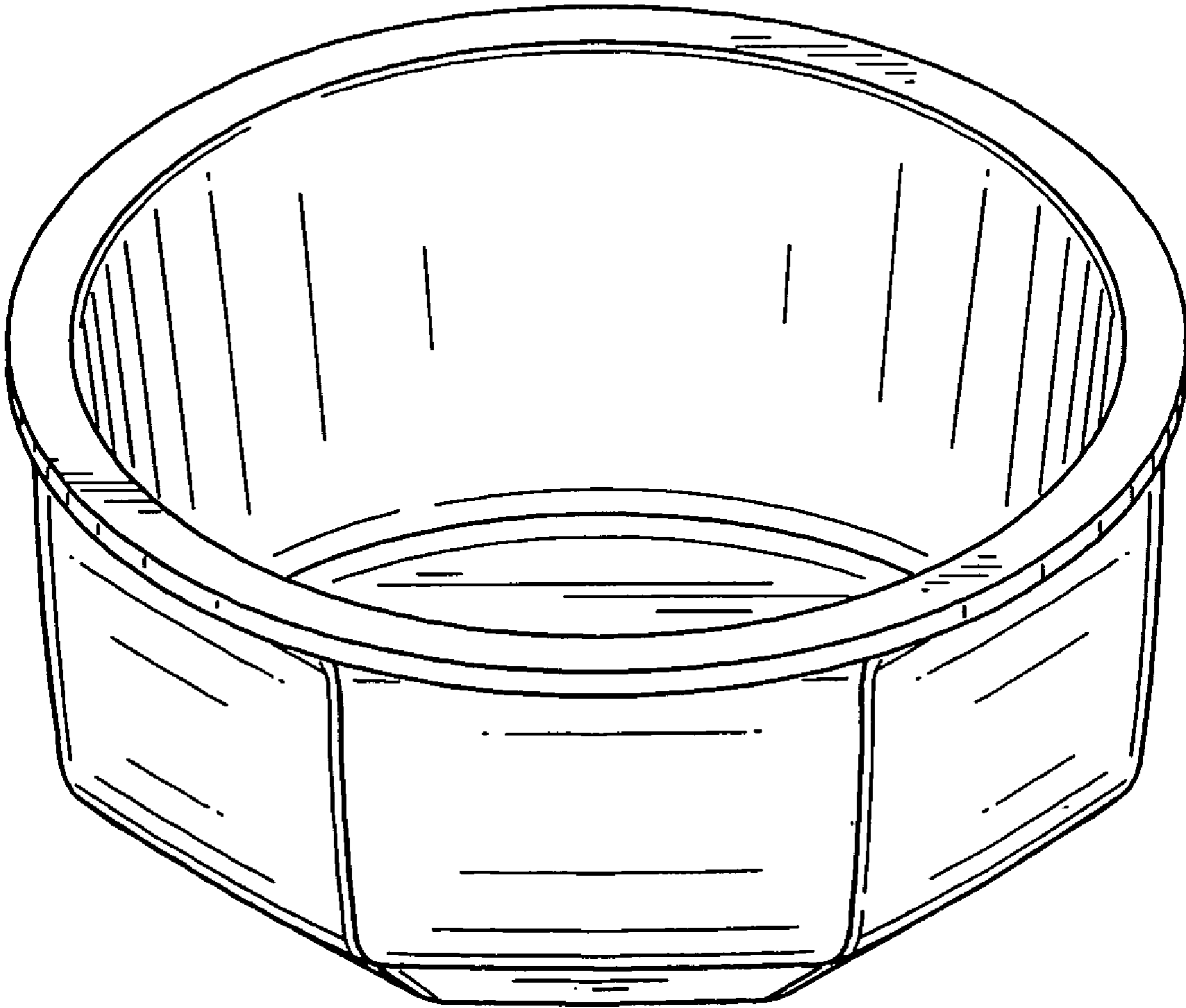


FIG. 1

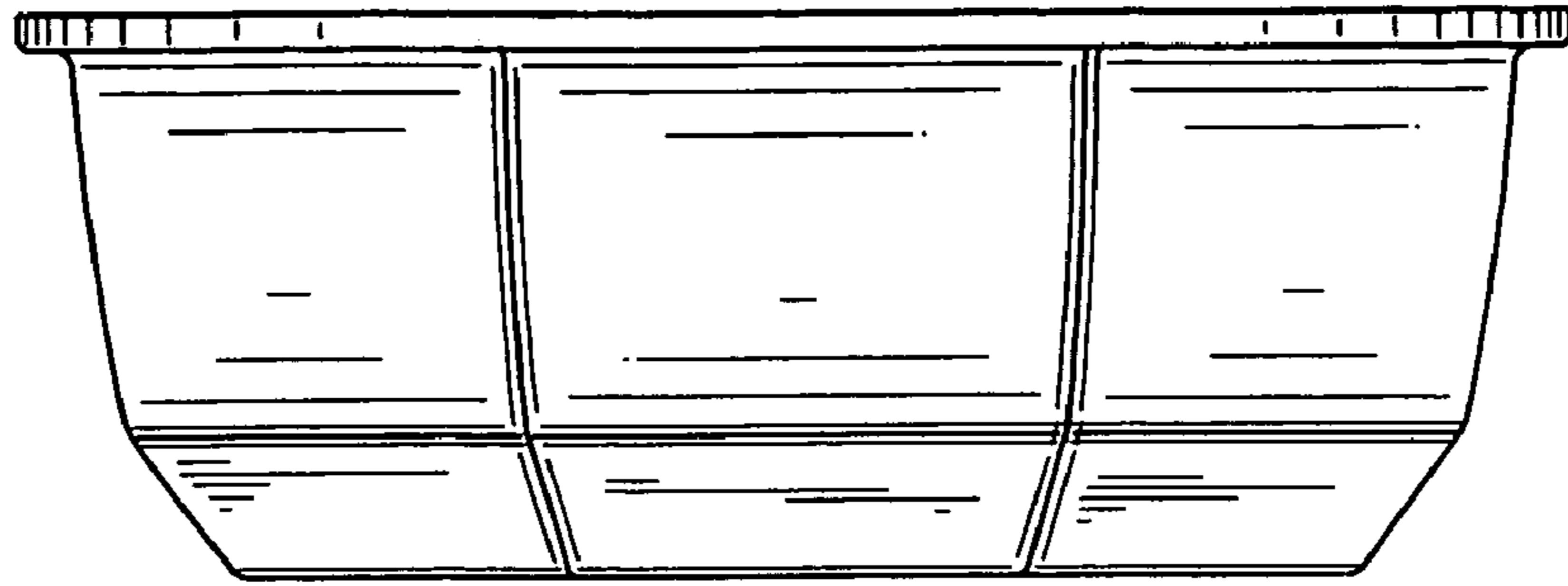


FIG. 2

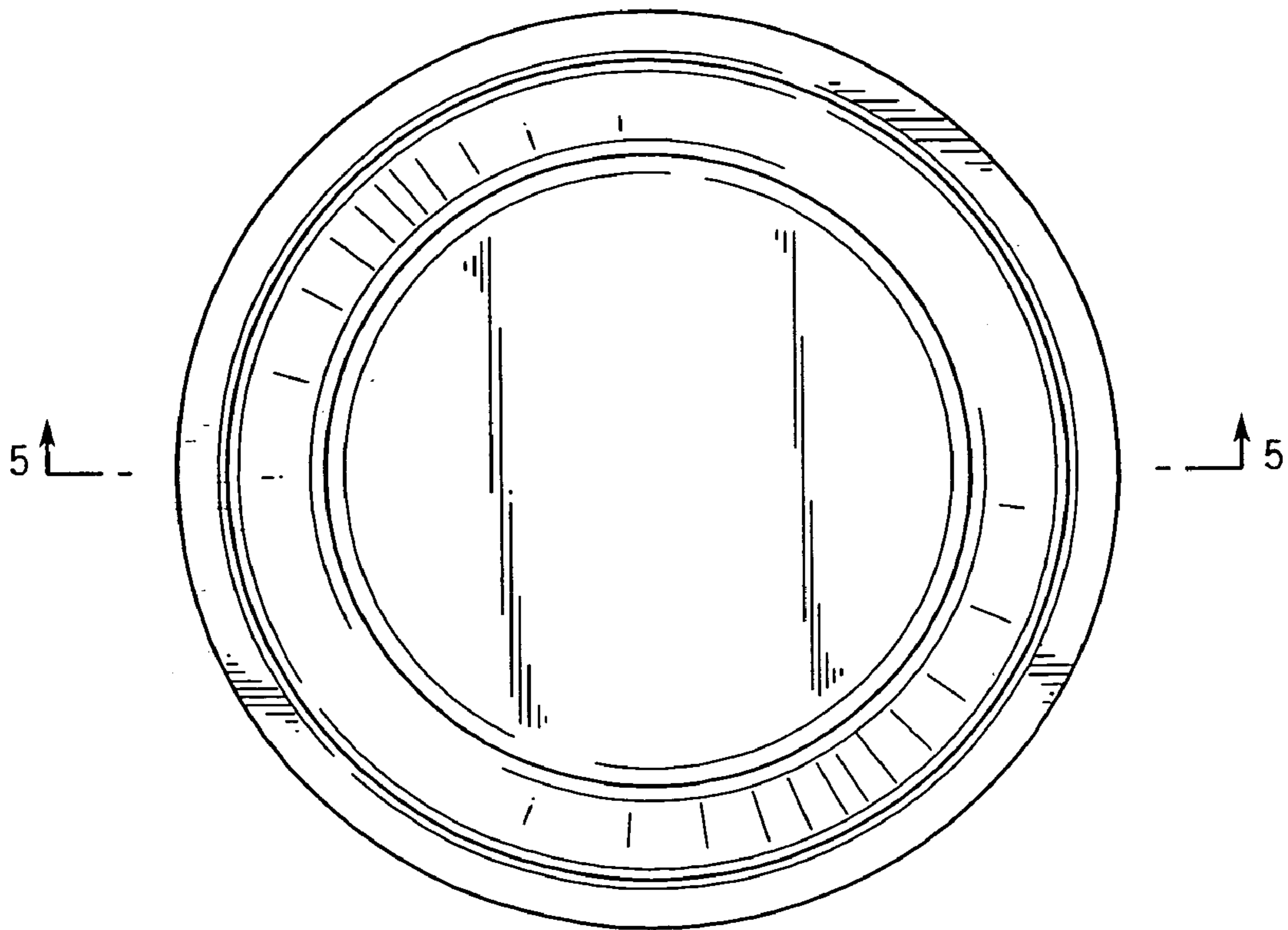


FIG. 3

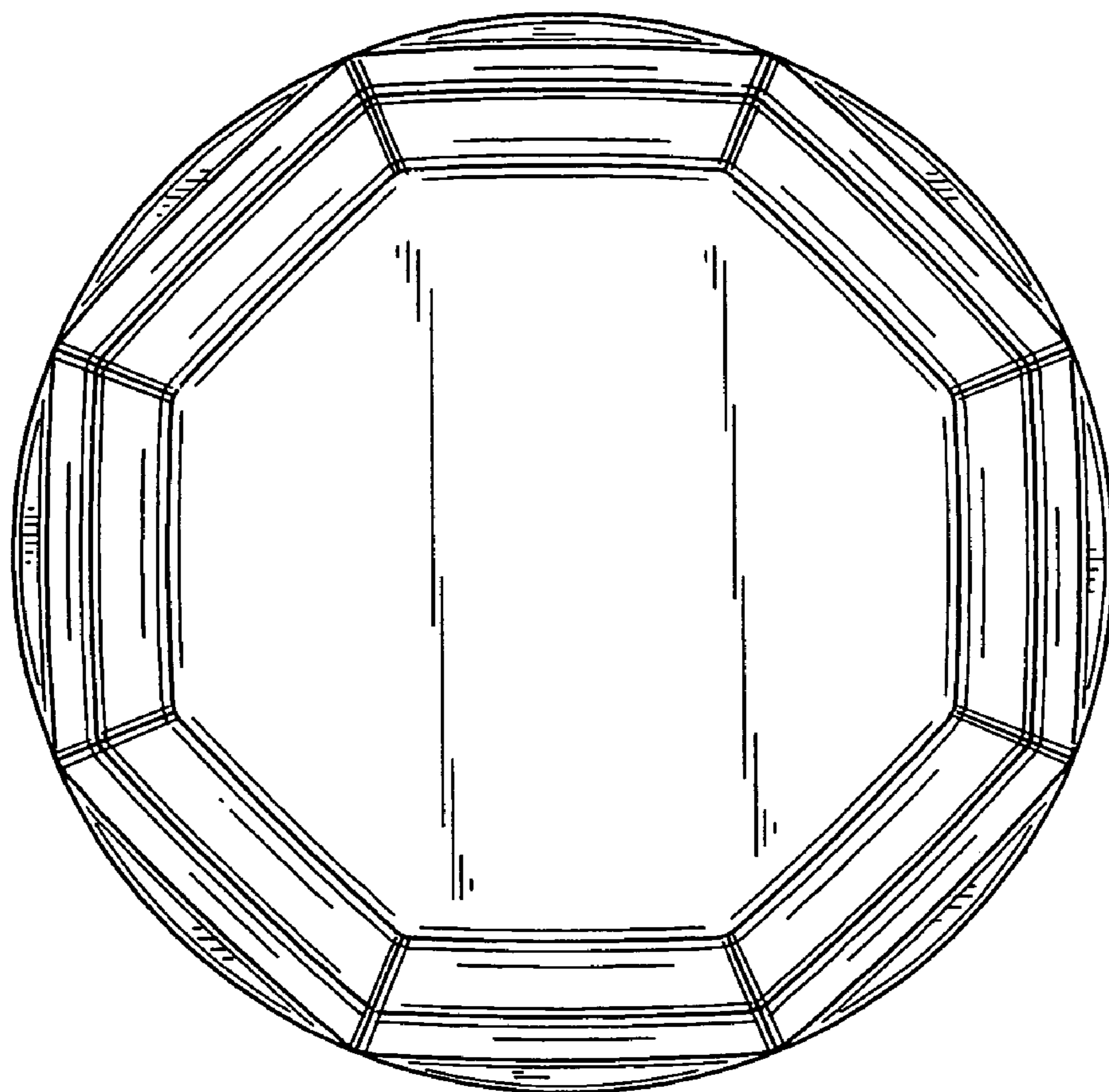


FIG. 4

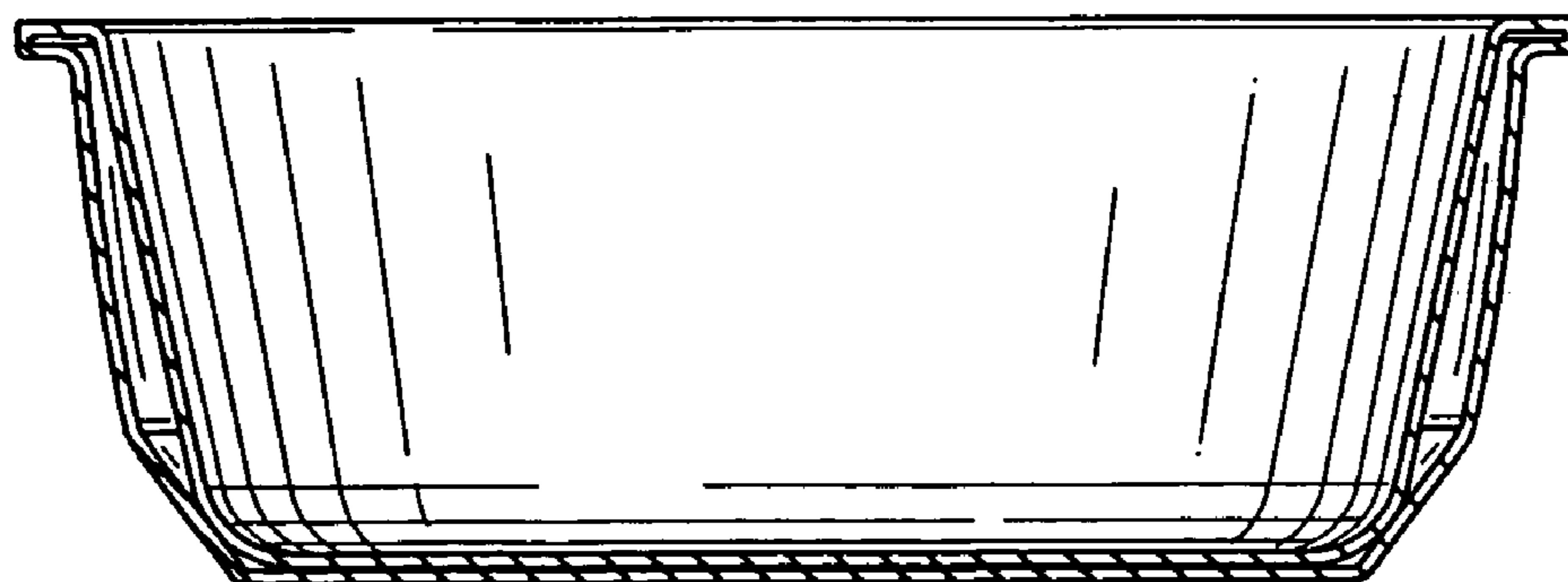


FIG. 5