



US00D543781S

(12) **United States Design Patent**
Martin et al.

(10) **Patent No.:** **US D543,781 S**

(45) **Date of Patent:** **** Jun. 5, 2007**

(54) **PORTION OF AN APPLIANCE**
(75) Inventors: **Robert H. Martin**, Anderson, SC (US);
Roberto Pezzetta, Porcia (IT); **Kent Allen Stephen Crookshanks**, Anderson, SC (US); **Victor Cascianelli**, Anderson, SC (US)

(73) Assignee: **Electrolux Home Products, Inc.**, Cleveland, OH (US)

(**) Term: **14 Years**

(21) Appl. No.: **29/246,050**

(22) Filed: **Jan. 10, 2006**

(51) **LOC (8) Cl.** **07-02**

(52) **U.S. Cl.** **D7/405**

(58) **Field of Classification Search** D7/339-341,
D7/346-351, 405, 406, 393-395; 126/19 R,
126/39 B, 39 C

See application file for complete search history.

(56) **References Cited**

U.S. PATENT DOCUMENTS

D173,817 S * 1/1955 Pavlak et al. D7/349
3,923,037 A * 12/1975 Donato 126/39 C

D366,983 S * 2/1996 Leukhardt et al. D7/349
D374,372 S * 10/1996 Holbrook, Jr. D7/340
D405,311 S * 2/1999 Holbrook, Jr. D7/340
D475,569 S * 6/2003 Nichols D7/340
D524,103 S * 7/2006 Bradshaw D7/405

* cited by examiner

Primary Examiner—Louis Zarfes

Assistant Examiner—Mark Cavanna

(74) *Attorney, Agent, or Firm*—Banner & Witcoff, Ltd.

(57) **CLAIM**

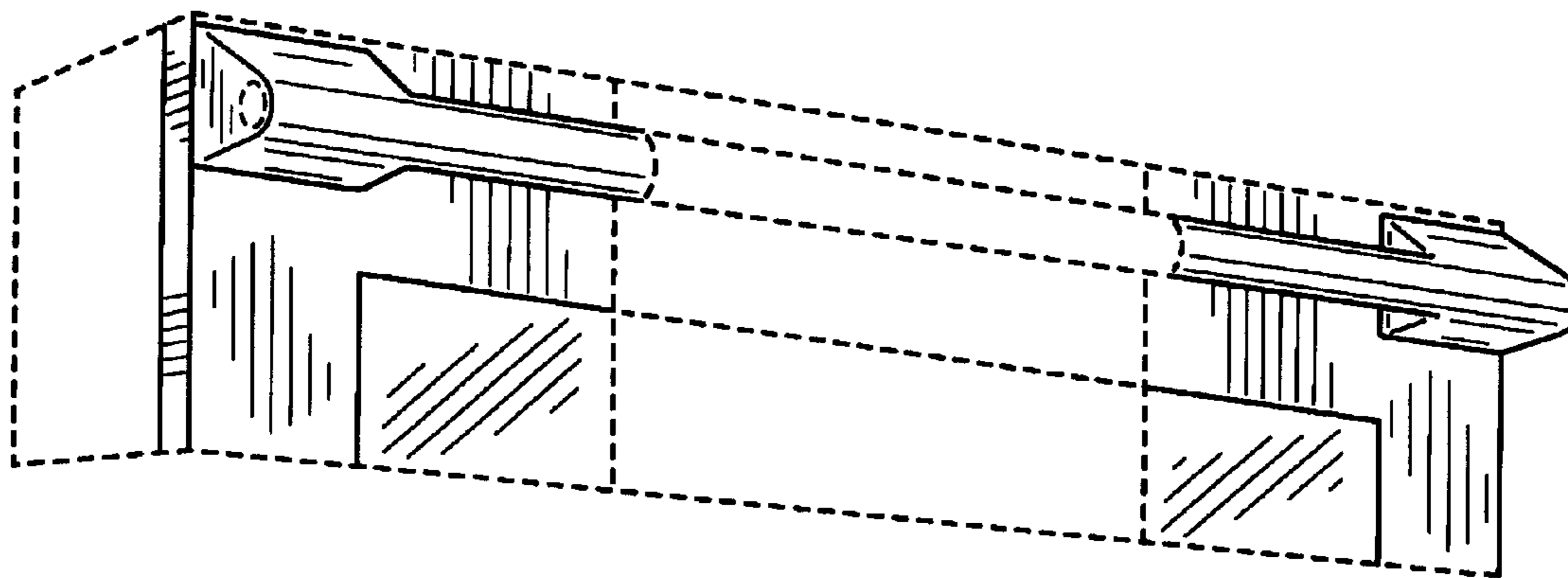
The ornamental design for a portion of an appliance, as shown and described.

DESCRIPTION

FIG. 1 is a front perspective view of a portion of an appliance showing our new design;
FIG. 2 is a front view thereof;
FIG. 3 is a left side view thereof;
FIG. 4 is a right side view thereof;
FIG. 5 is a top view thereof; and,
FIG. 6 is a bottom view thereof.

The broken line showing of various regions, including the unshaded areas therein, is for illustrative purposes and forms no part of the claimed design.

1 Claim, 2 Drawing Sheets



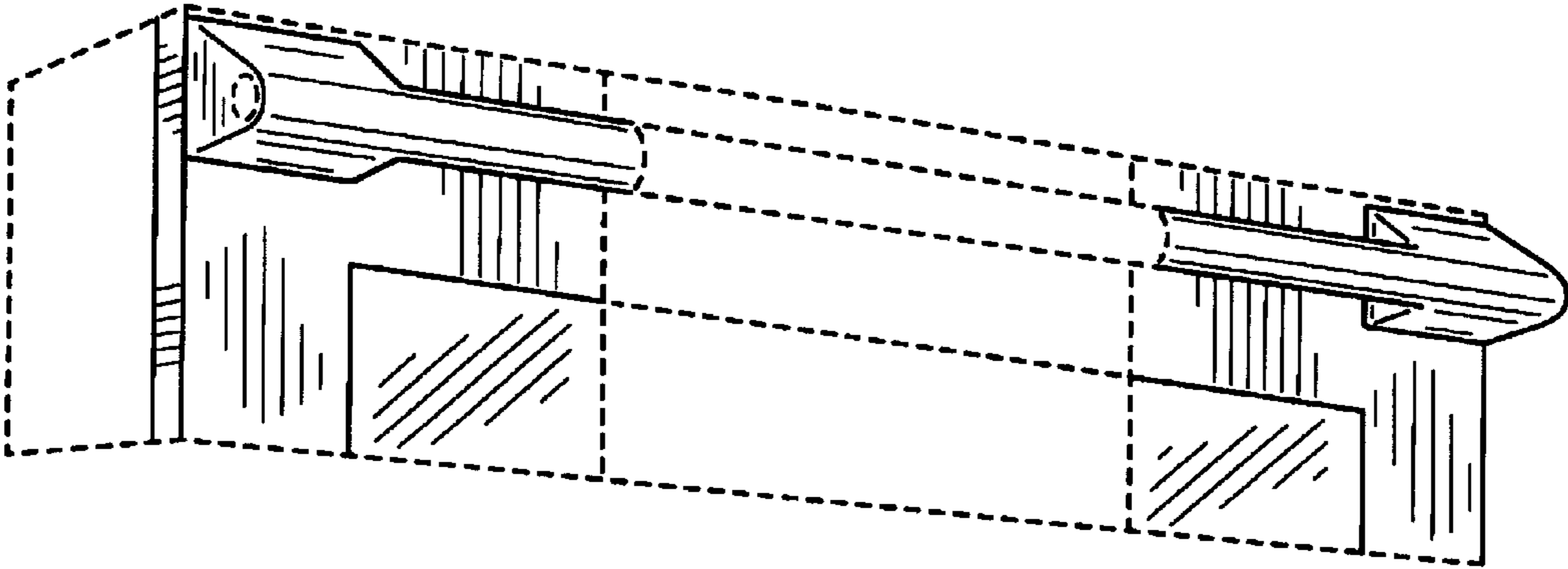


FIG. 1

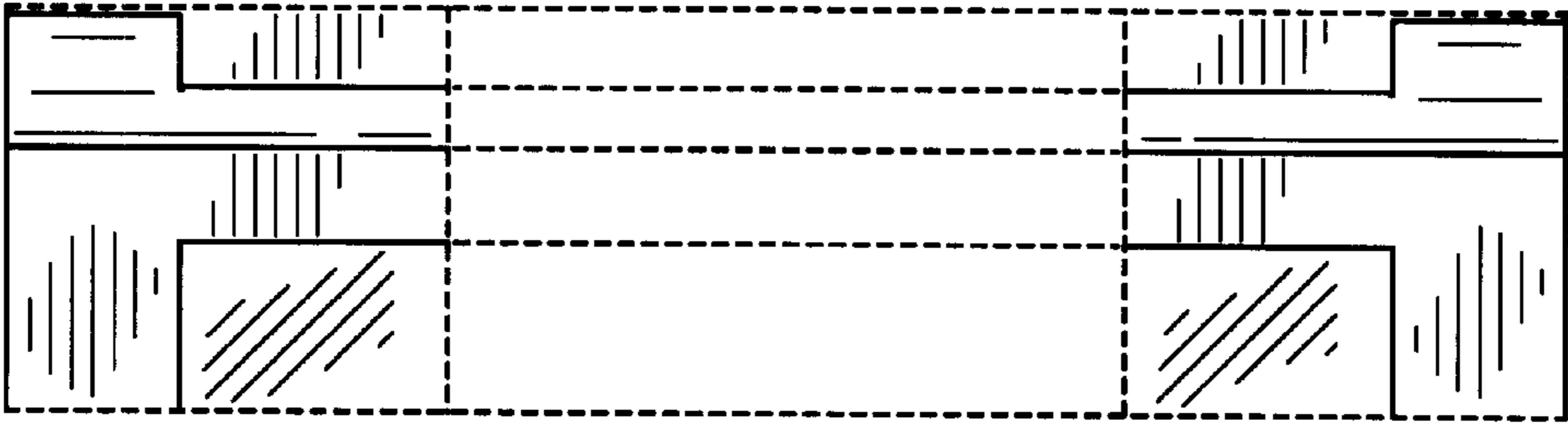


FIG. 2

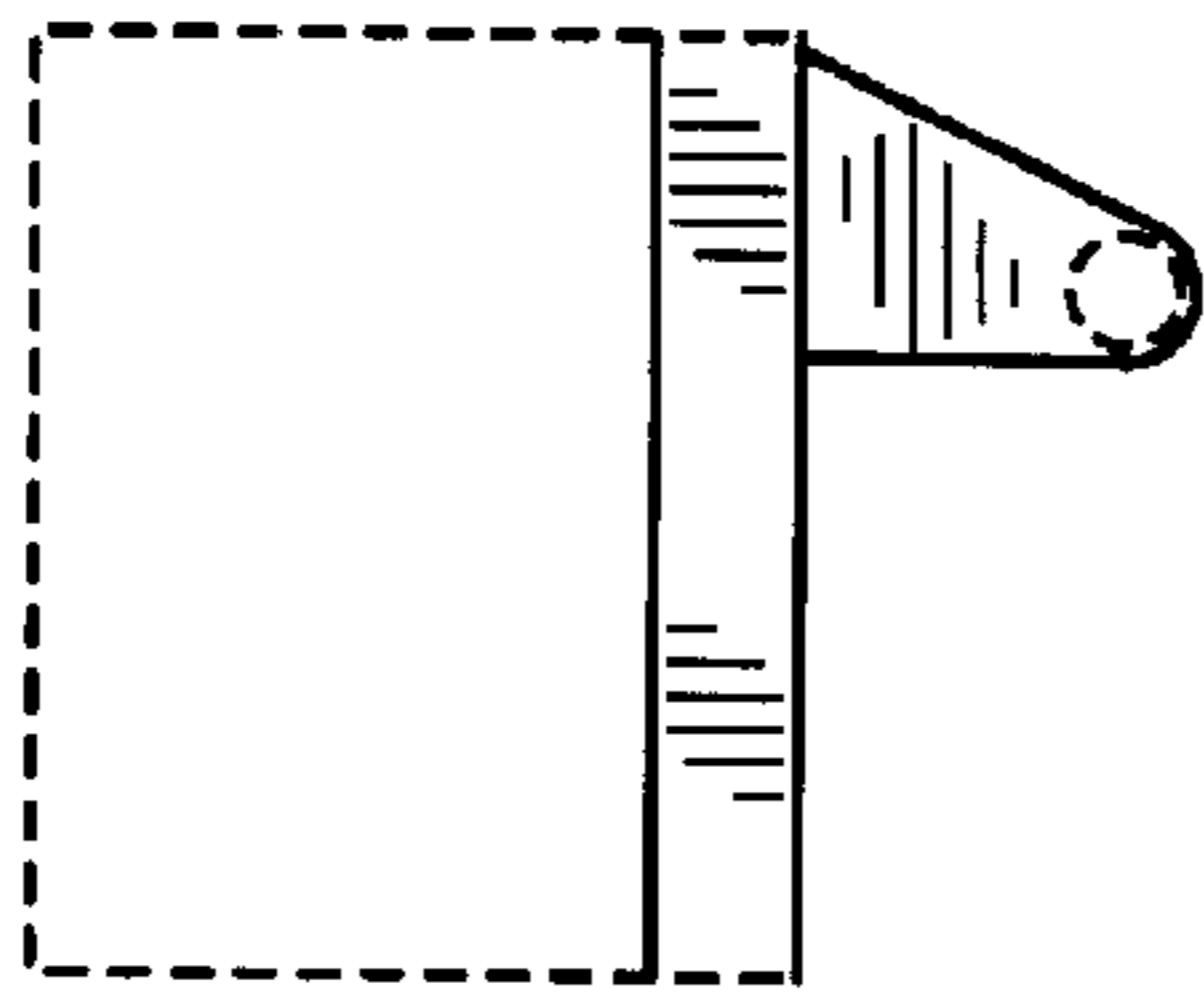


FIG. 3

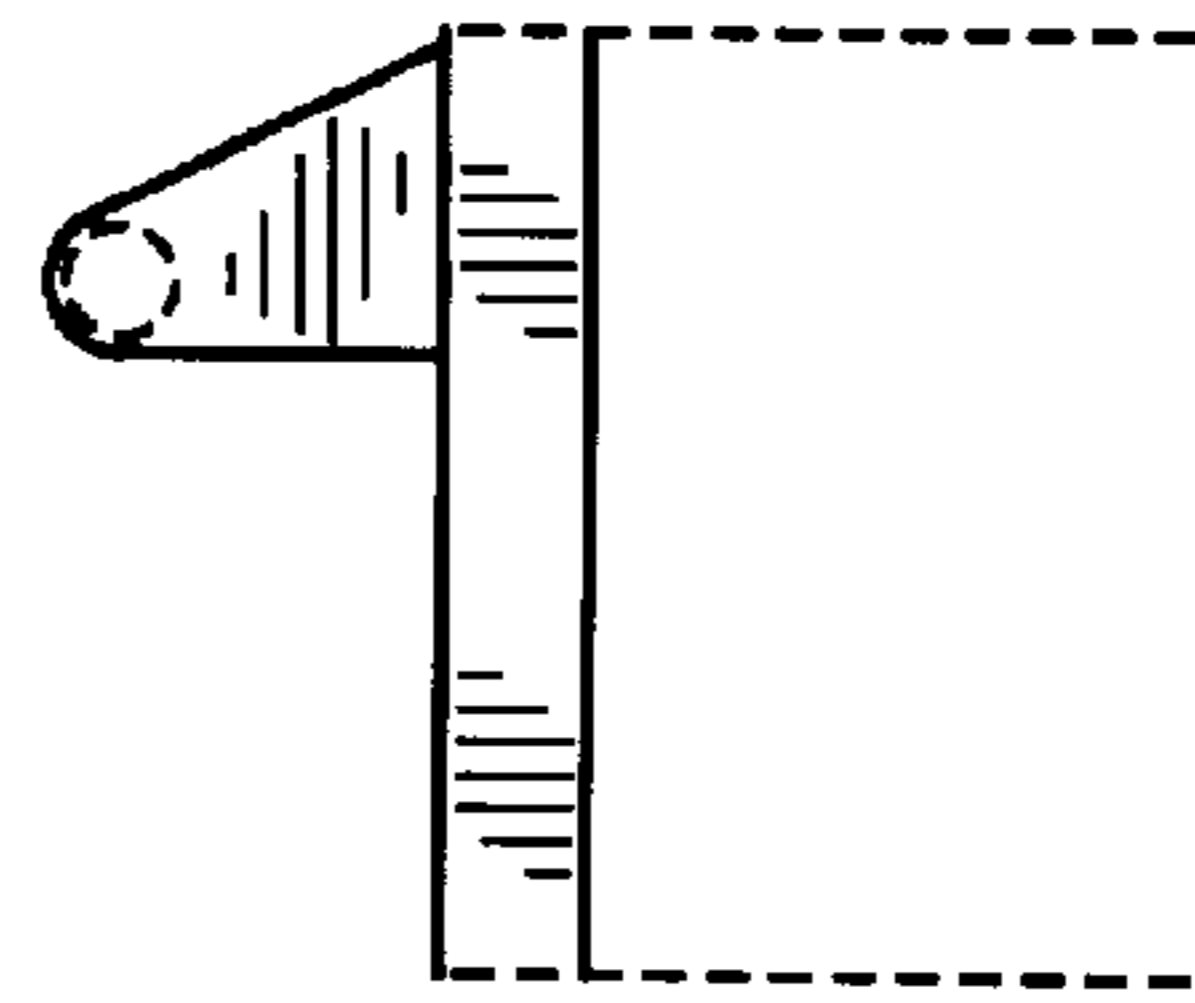


FIG. 4

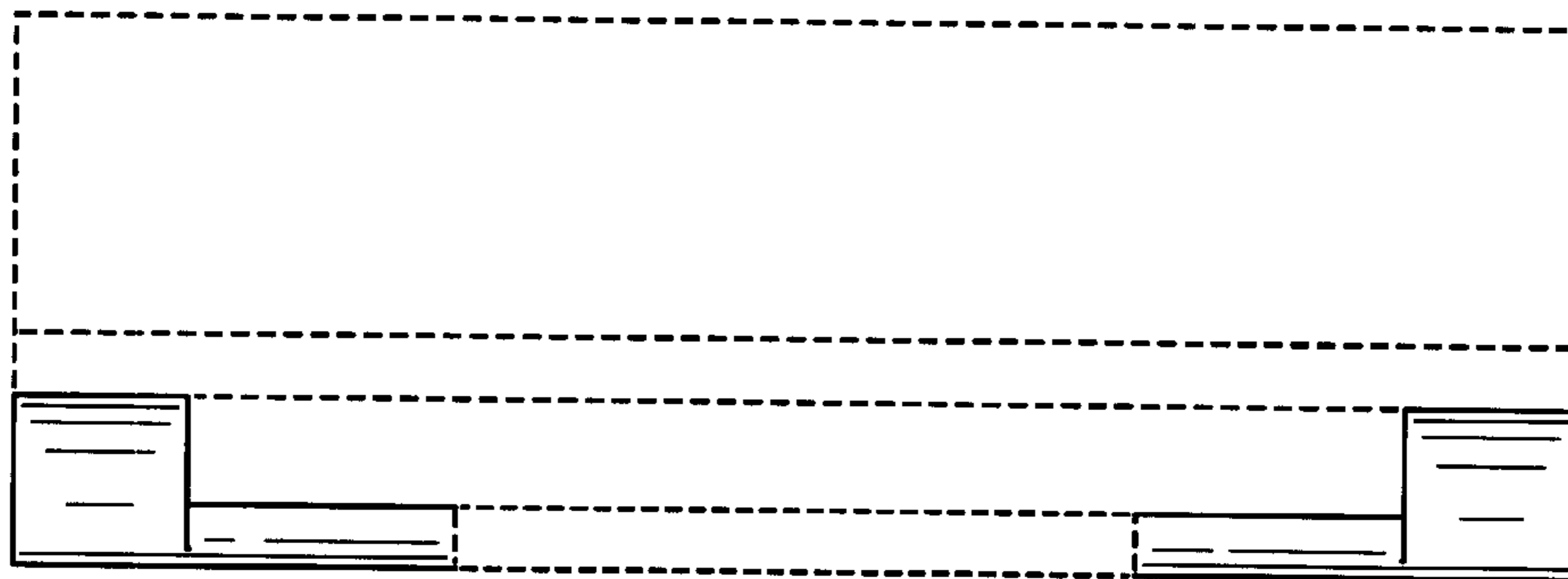


FIG. 5

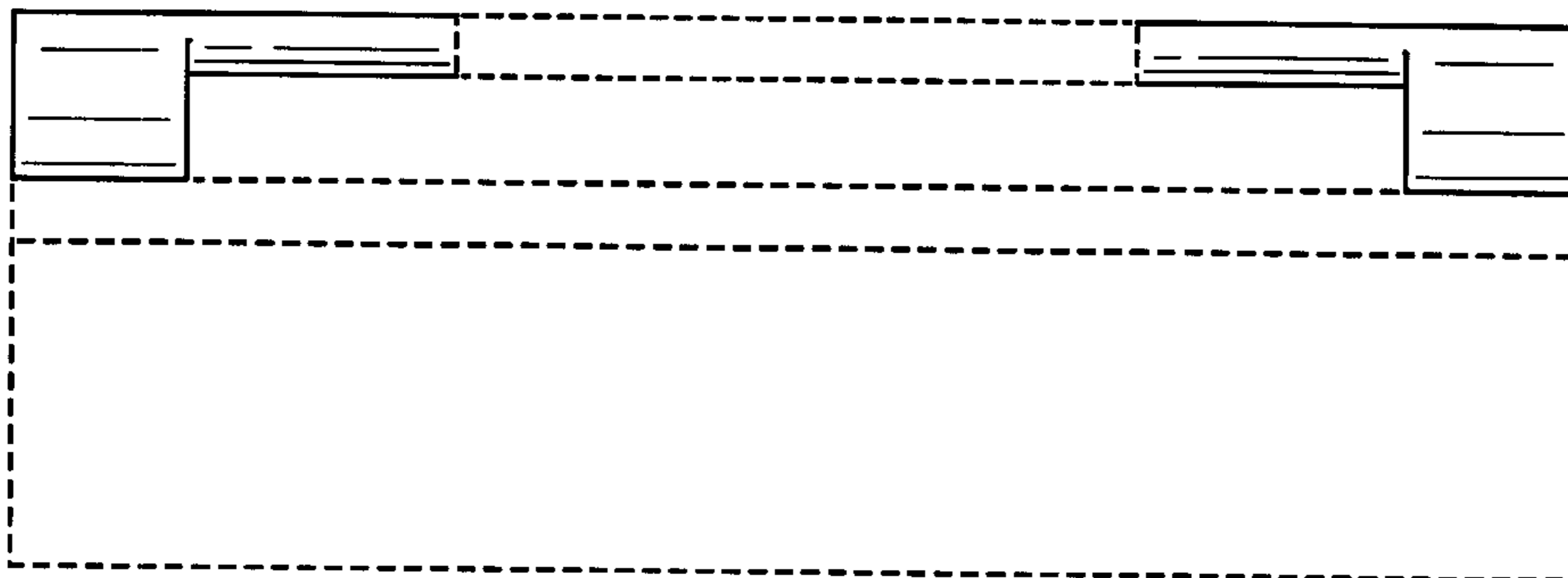


FIG. 6