



US00D543776S

(12) **United States Design Patent**  
**Yelland**

(10) **Patent No.:** **US D543,776 S**

(45) **Date of Patent:** **\*\* Jun. 5, 2007**

(54) **CARABINER SLIDE HANDLE CAP**

(75) Inventor: **William Yelland**, Brampton (CA)

(73) Assignee: **Sun Coast Merchandise Corporation**,  
Commerce, CA (US)

(\*\*) Term: **14 Years**

(21) Appl. No.: **29/246,711**

(22) Filed: **May 4, 2006**

(51) **LOC (8) Cl.** ..... **07-02**

(52) **U.S. Cl.** ..... **D7/392.1**

(58) **Field of Classification Search** ..... D7/316-319,  
D7/391-392.1, 396.2, 510-511, 629; D9/435,  
D9/440, 444, 447, 449-450, 454, 503-504;  
215/211, 200, 224, 243; 220/700, 701, 703,  
220/711, 713-715, 719

See application file for complete search history.

(56) **References Cited**

**U.S. PATENT DOCUMENTS**

- D496,559 S \* 9/2004 Bodum ..... D7/510
- D505,294 S \* 5/2005 Gauss ..... D7/392.1
- D508,185 S \* 8/2005 Gauss ..... D7/392.1
- D519,380 S \* 4/2006 Leoncavallo et al. .... D9/530
- 7,048,137 B2 \* 5/2006 Leoncavallo et al. .... 220/288
- D528,921 S \* 9/2006 Leoncavallo et al. .... D9/530

**OTHER PUBLICATIONS**

U.S. Appl. No. 11/538,047, William Yelland.

\* cited by examiner

*Primary Examiner*—Holly H. Baynham

*Assistant Examiner*—Cynthia M. Chin

(74) *Attorney, Agent, or Firm*—The Soni Law Firm

(57) **CLAIM**

The ornamental design for a carabiner slide handle cap, as shown and described.

**DESCRIPTION**

FIG. 1 is a front side perspective view thereof with the phantom lines depicting environmental structure and forming no part of the claimed design;

FIG. 2 is a front elevational view thereof with the phantom lines depicting environmental structure and forming no part of the claimed design;

FIG. 3 is a side elevational view thereof with the phantom lines depicting environmental structure and forming no part of the claimed design;

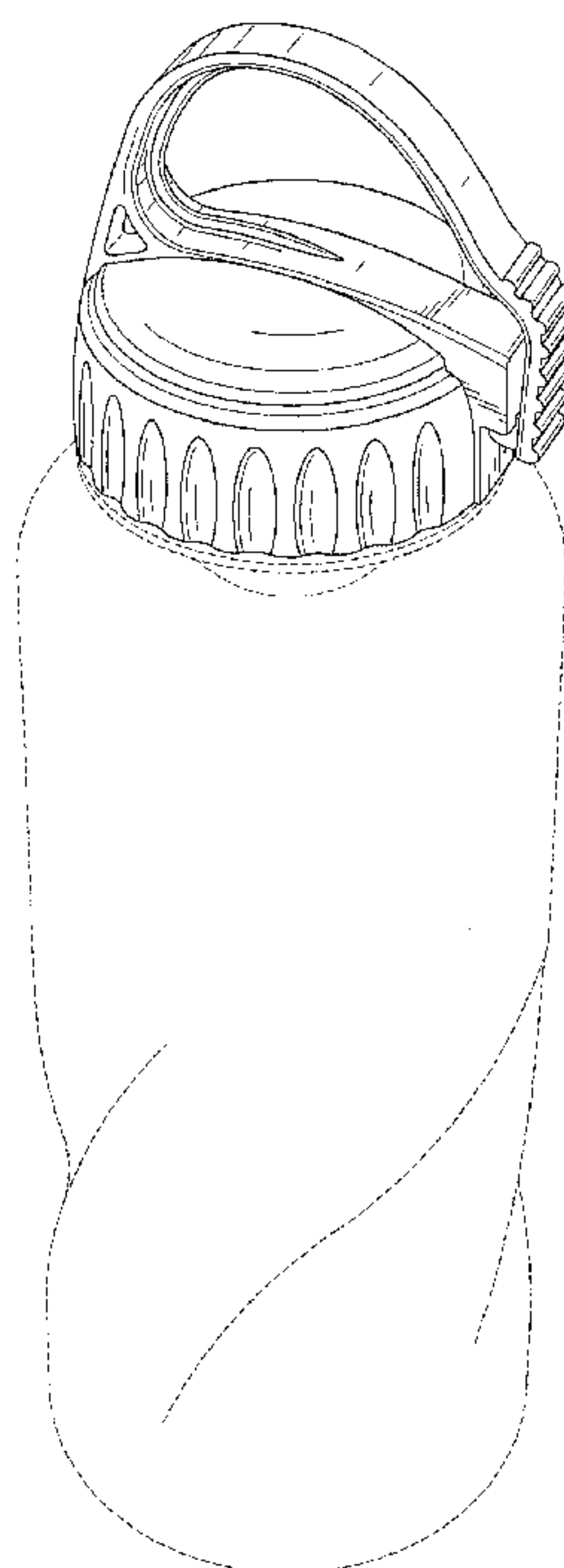
FIG. 4 is a back elevational view thereof with the phantom lines depicting environmental structure and forming no part of the claimed design;

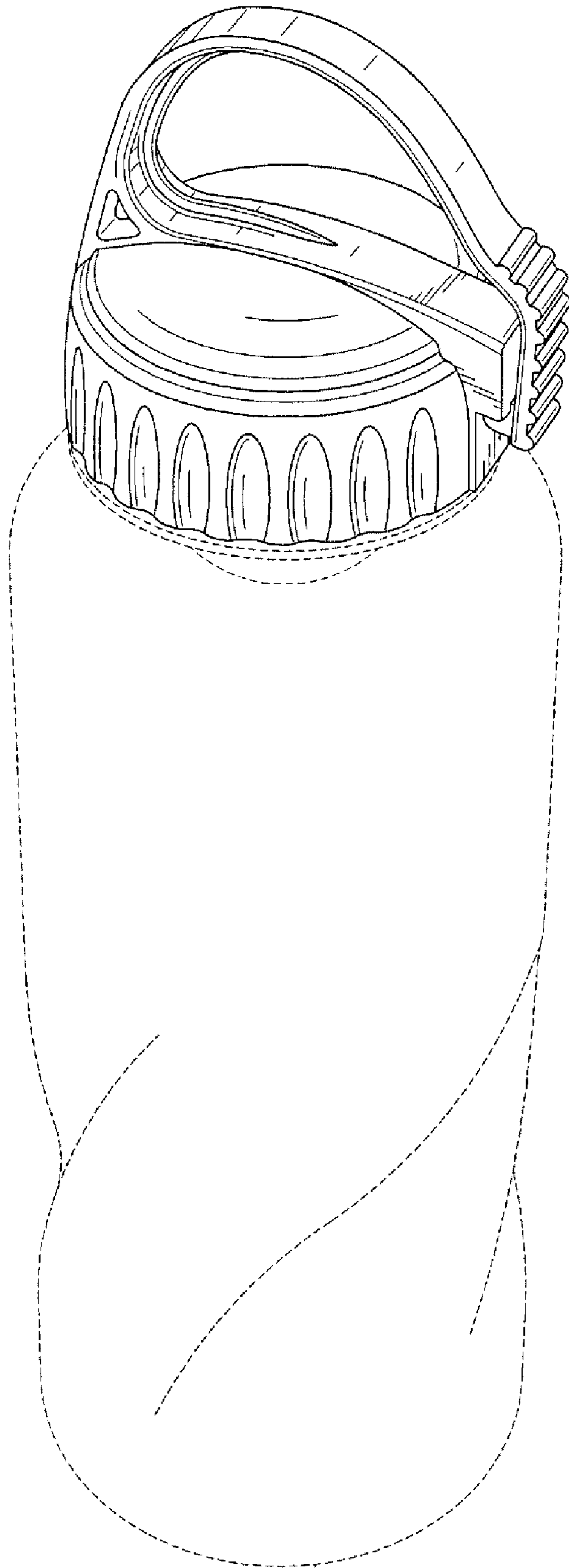
FIG. 5 is a side elevational view thereof with the phantom lines depicting environmental structure and forming no part of the claimed design;

FIG. 6 is a top plan view thereof with the phantom lines depicting environmental structure and forming no part of the claimed design; and,

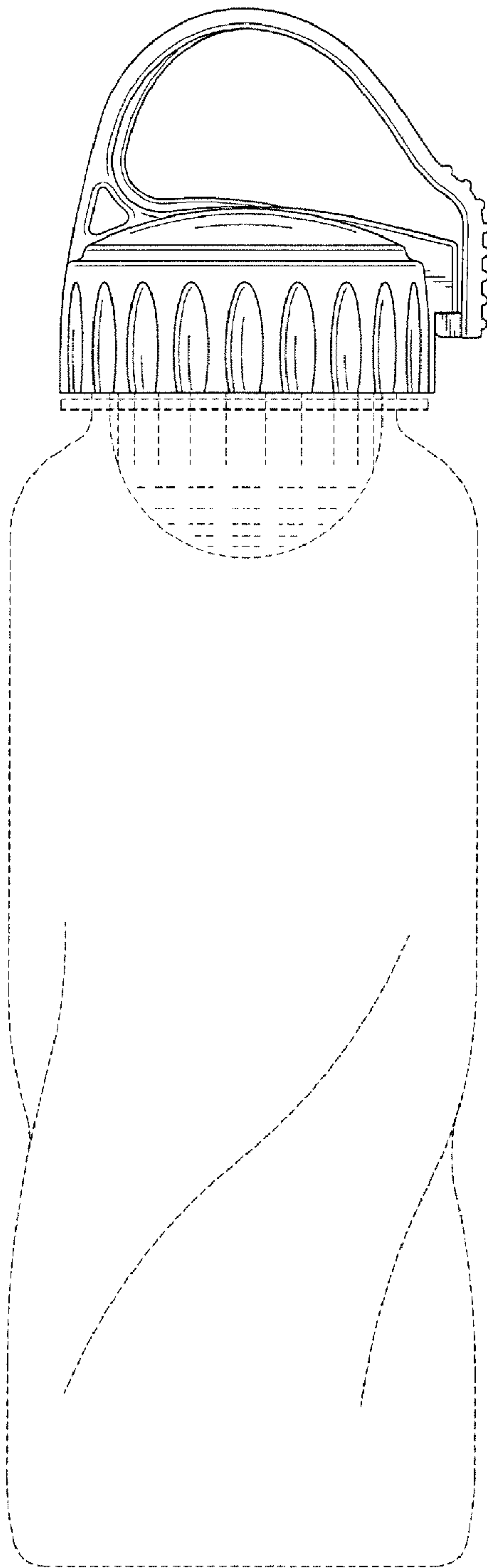
FIG. 7 is a bottom plan view thereof with the phantom lines depicting environmental structure and forming no part of the claimed design.

**1 Claim, 4 Drawing Sheets**

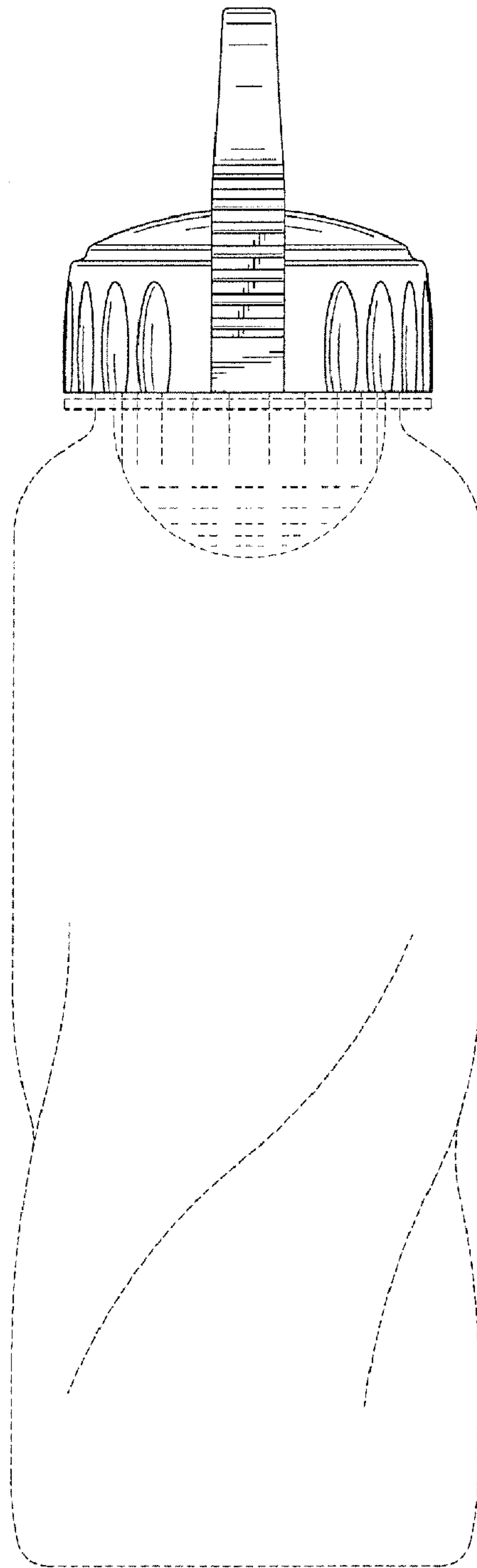




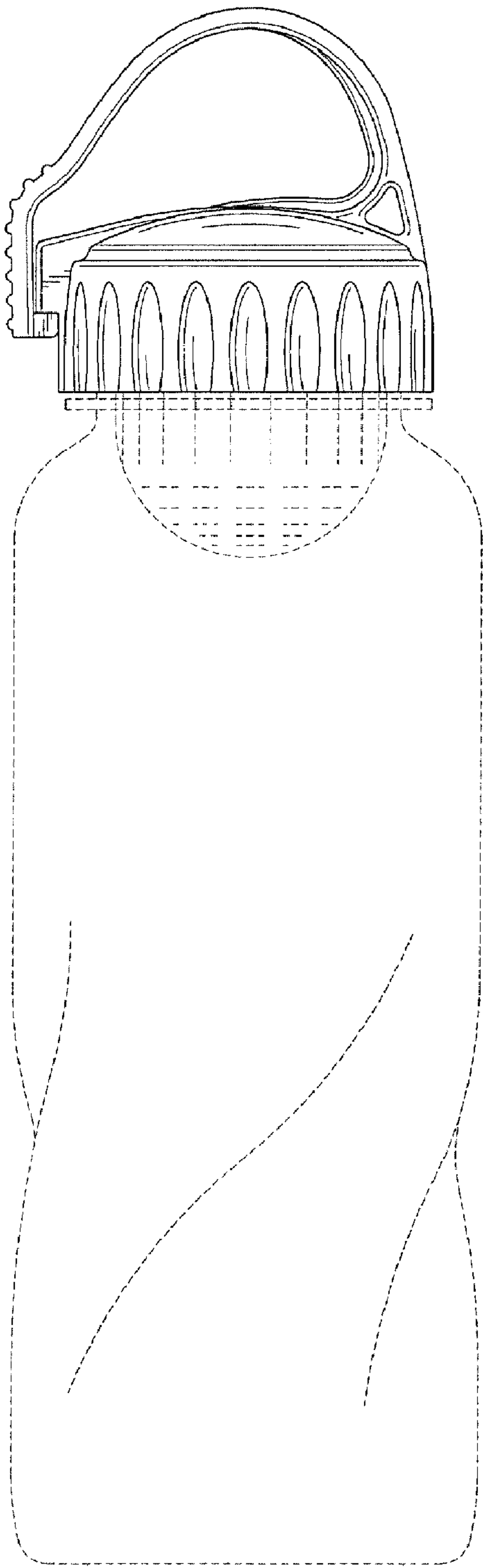
*FIG. 1*



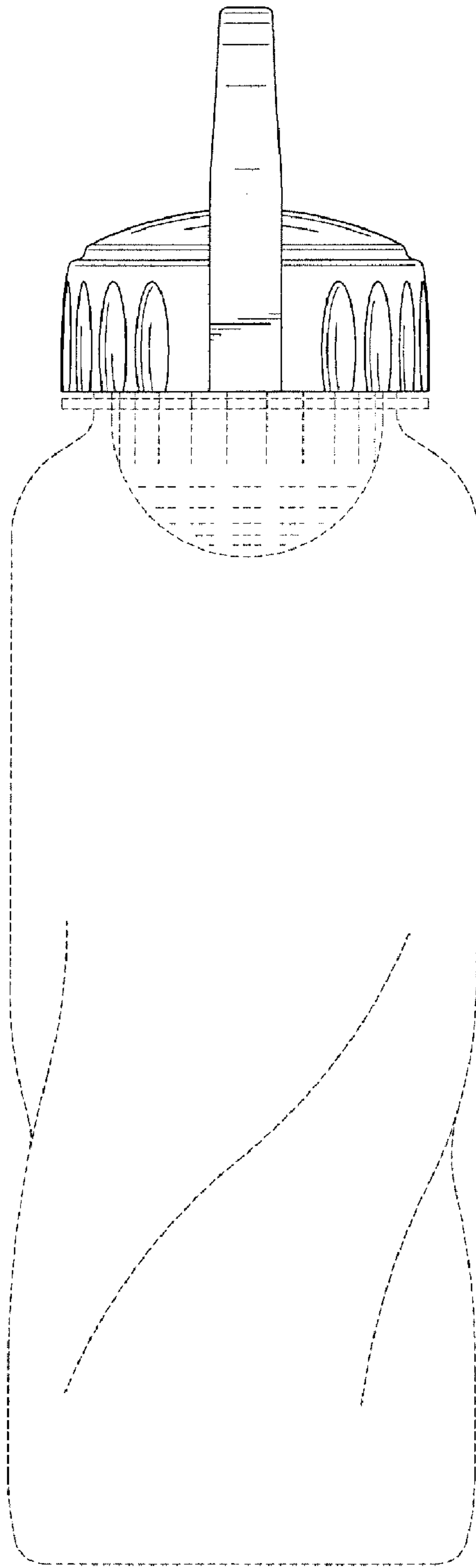
*FIG. 2*



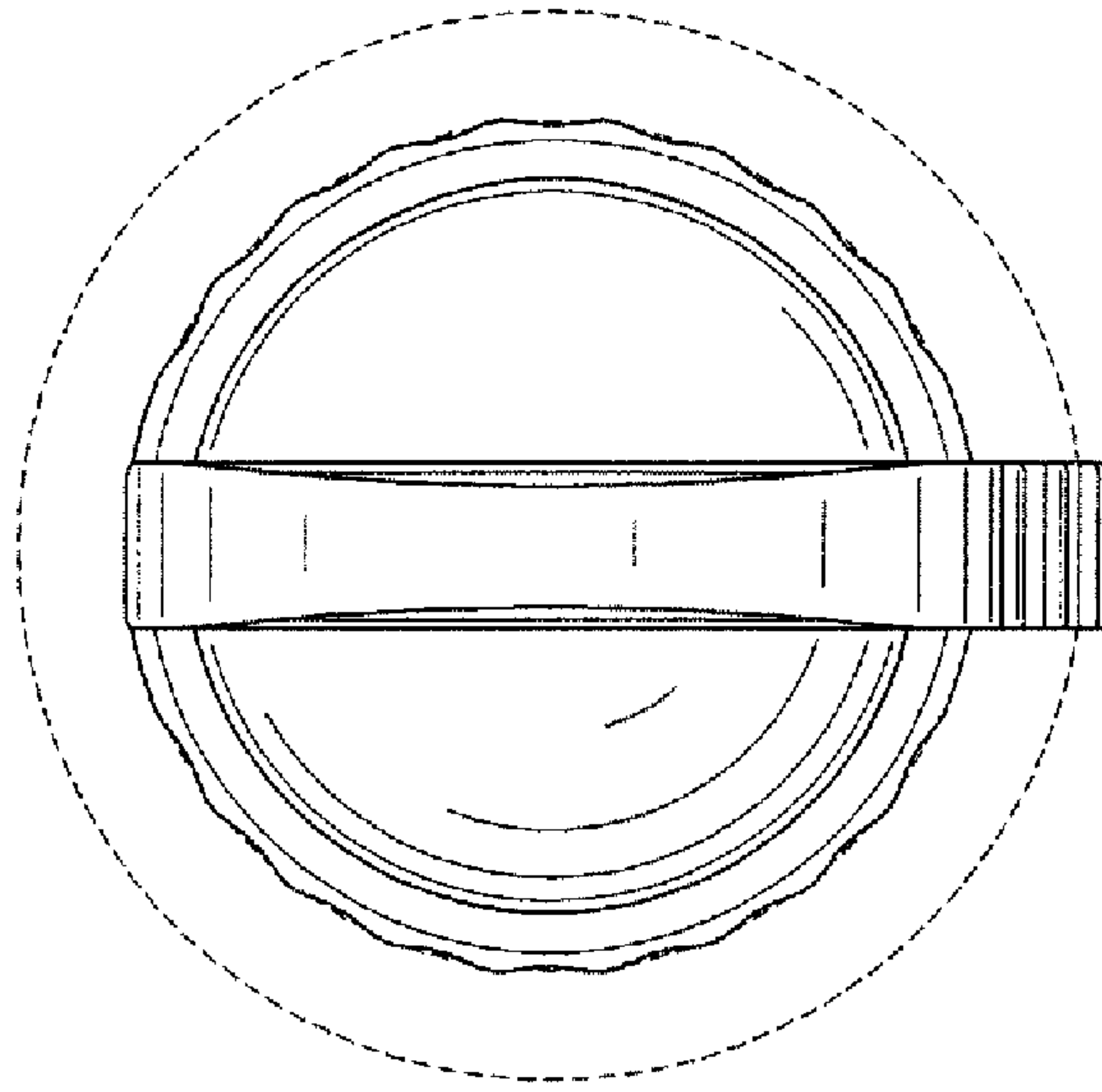
*FIG. 3*



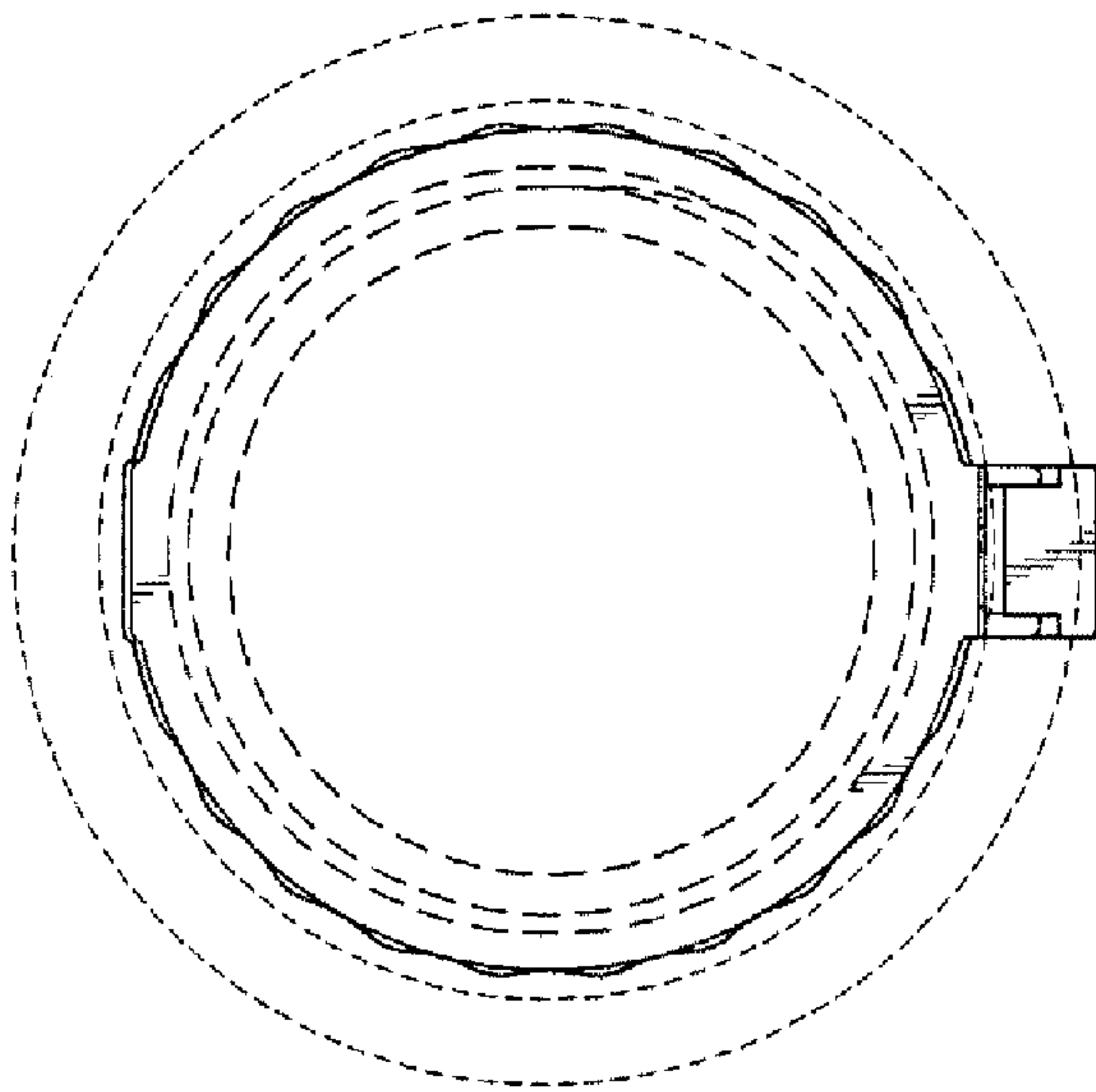
*FIG. 4*



*FIG. 5*



*FIG. 6*



*FIG. 7*