

US00D543775S

(12) **United States Design Patent**  
**Orr, Jr.**

(10) **Patent No.:** **US D543,775 S**

(45) **Date of Patent:** **\*\* Jun. 5, 2007**

(54) **TOASTER TRAY**

(76) **Inventor:** **John S. Orr, Jr.**, 22640 Lake Dr.,  
Tehachapi, CA (US) 93561

(\*\*) **Term:** **14 Years**

(21) **Appl. No.:** **29/230,463**

(22) **Filed:** **May 20, 2005**

(51) **LOC (8) Cl.** ..... **07-02**

(52) **U.S. Cl.** ..... **D7/390**

(58) **Field of Classification Search** ..... D7/323,  
D7/354-360, 550.1, 551.1, 552.1, 553.1,  
D7/543, 554.1, 554.2, 554.3, 393, 554.4,  
D7/602; 99/324, 339, 422, 446, 448; 220/573.1,  
220/573.2, 573.3, 574, 573.4, 912; 294/172  
See application file for complete search history.

(56) **References Cited**

**U.S. PATENT DOCUMENTS**

D113,571 S	*	2/1939	Reinecke et al.	.....	D7/586
2,777,626 A	*	1/1957	French	.....	229/406
3,409,199 A	*	11/1968	Lake	.....	229/407
D263,268 S	*	3/1982	Rein	.....	D7/554.3
D271,557 S	*	11/1983	Schwarzli	.....	D7/363
D325,845 S	*	5/1992	Helman et al.	.....	D7/346
D365,495 S	*	12/1995	O'Higgins	.....	D7/359
D373,284 S	*	9/1996	Hirst	.....	D7/354
D378,561 S	*	3/1997	Ferris et al.	.....	D7/554.3

D427,009 S	*	6/2000	Iyengar et al.	.....	D7/360
D431,958 S	*	10/2000	Harris	.....	D7/354
D462,231 S	*	9/2002	Kari et al.	.....	D7/354
D489,568 S	*	5/2004	Groll	.....	D7/354

\* cited by examiner

*Primary Examiner*—Cathron C. Brooks

*Assistant Examiner*—Ricky Pham

(74) *Attorney, Agent, or Firm*—Michael Blaine Brooks,  
P.C.; Michael B. Brooks; Andrew S. Naglestad

(57) **CLAIM**

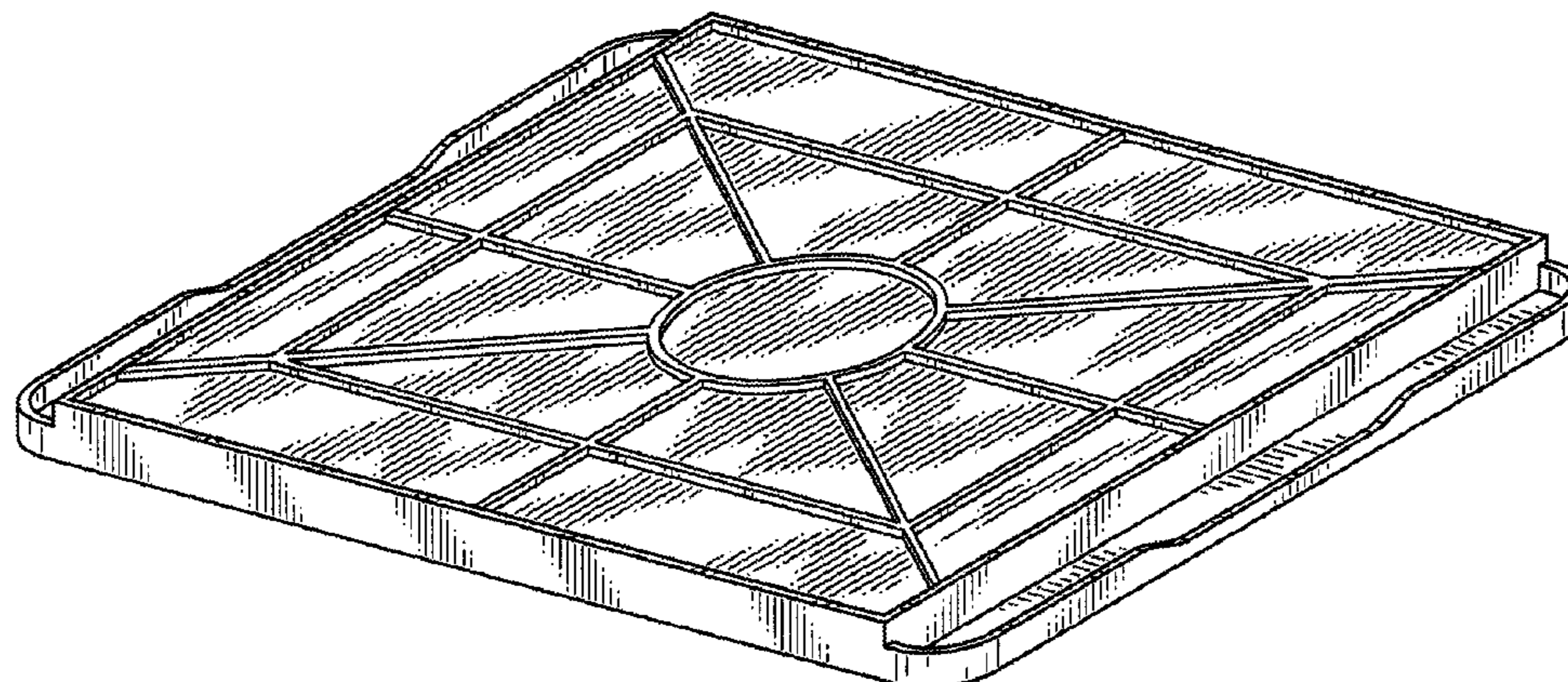
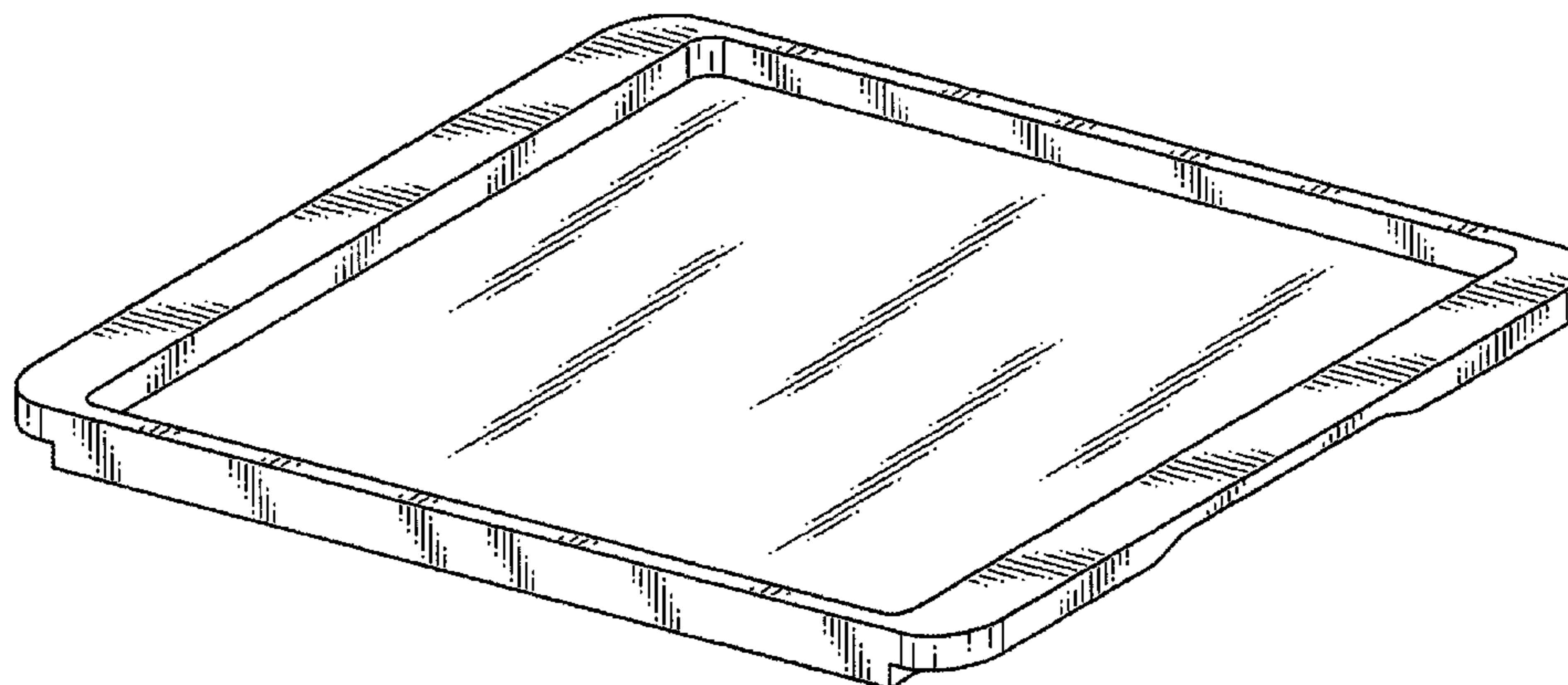
The ornamental design for a toaster tray, as shown and described.

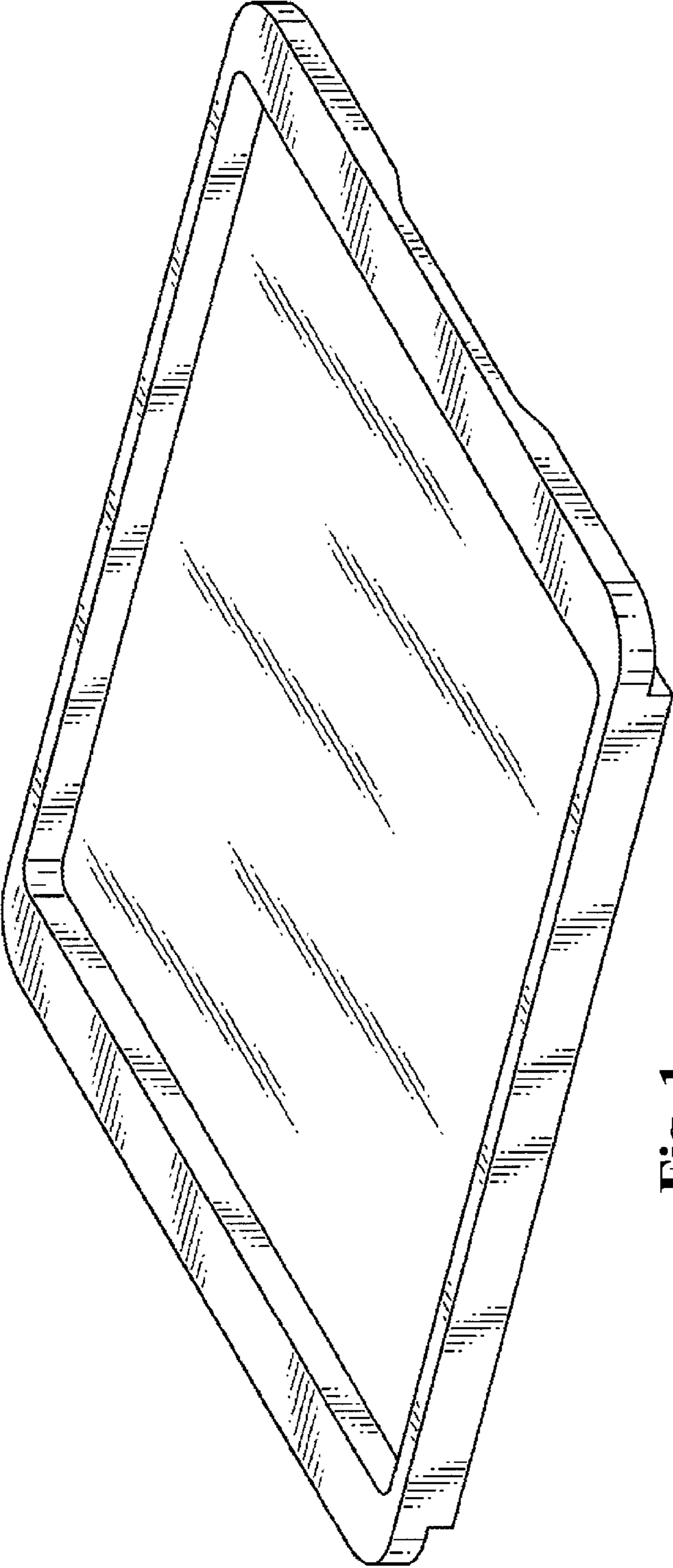
**DESCRIPTION**

FIG. 1 is a top side perspective view of a toaster tray; FIG. 2 is a bottom side perspective view of the toaster tray; FIG. 3 is a top plan view of the toaster tray; FIG. 4 is a front side elevational view of the toaster tray; FIG. 5 is a left side elevational view of the toaster tray; FIG. 6 is a bottom plan view of the toaster tray; and, FIG. 7 is a cross-sectional view taken through line 7-7 of the toaster tray of FIG. 6.

The rear side elevational view of the toaster tray is a mirror image of the front side elevational view of FIG. 4. The right side elevational view of the toaster tray is a mirror image of the left side elevational view of FIG. 5.

**1 Claim, 4 Drawing Sheets**





**Fig. 1**

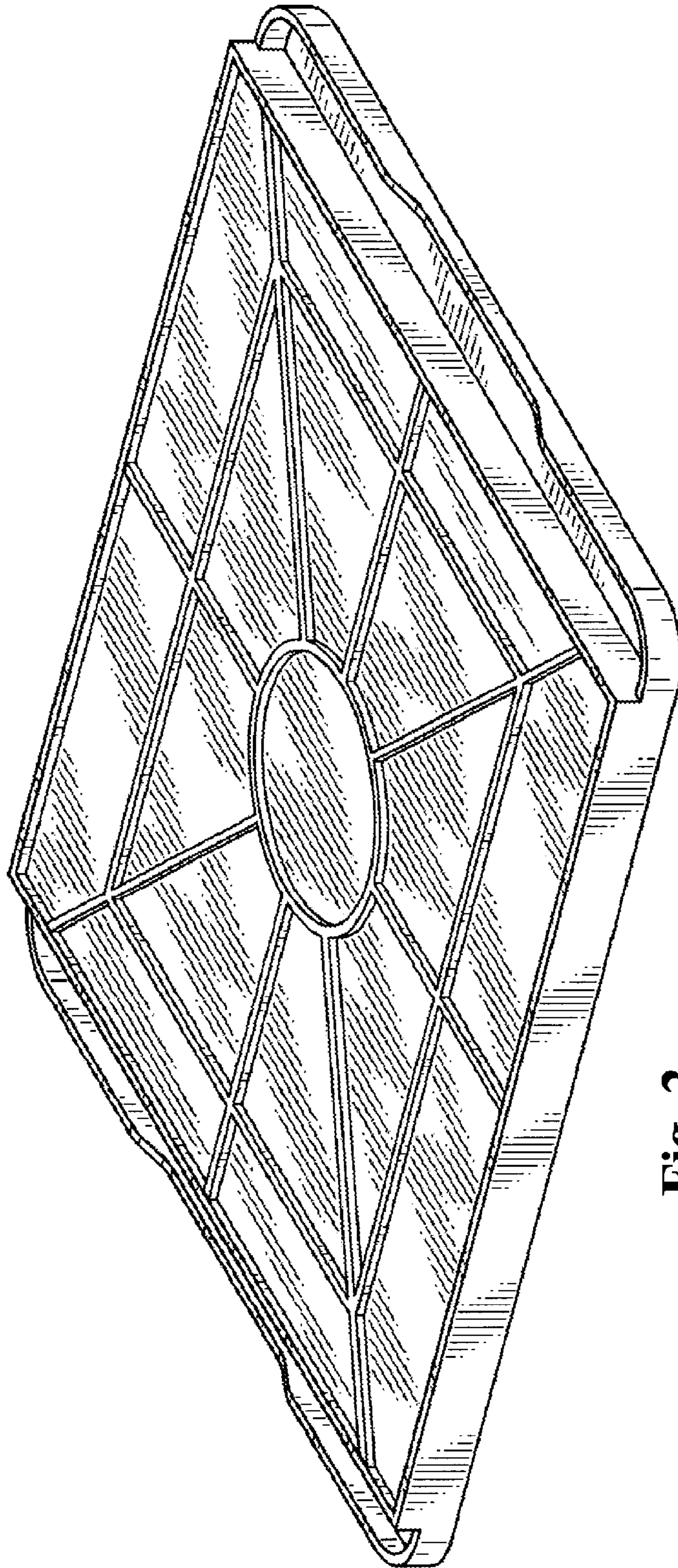
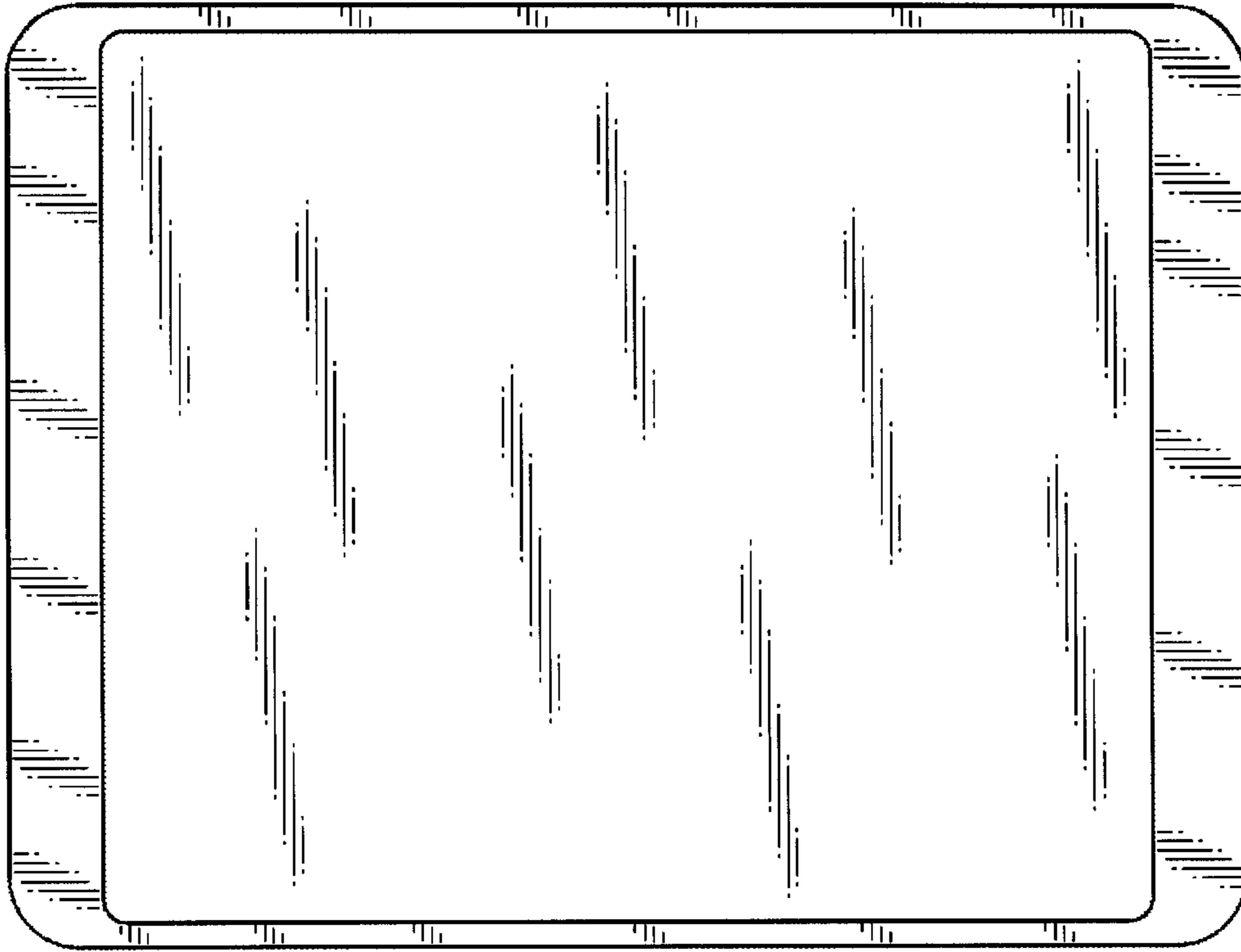


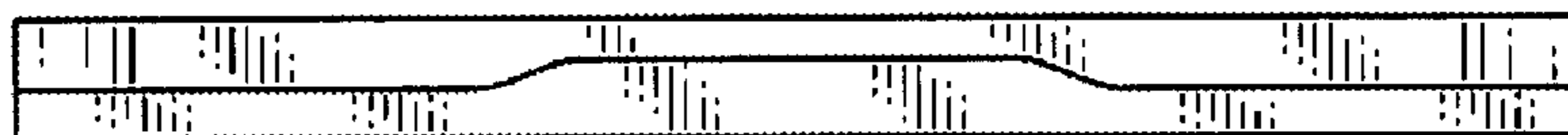
Fig. 2



**Fig. 3**



**Fig. 4**



**Fig. 5**

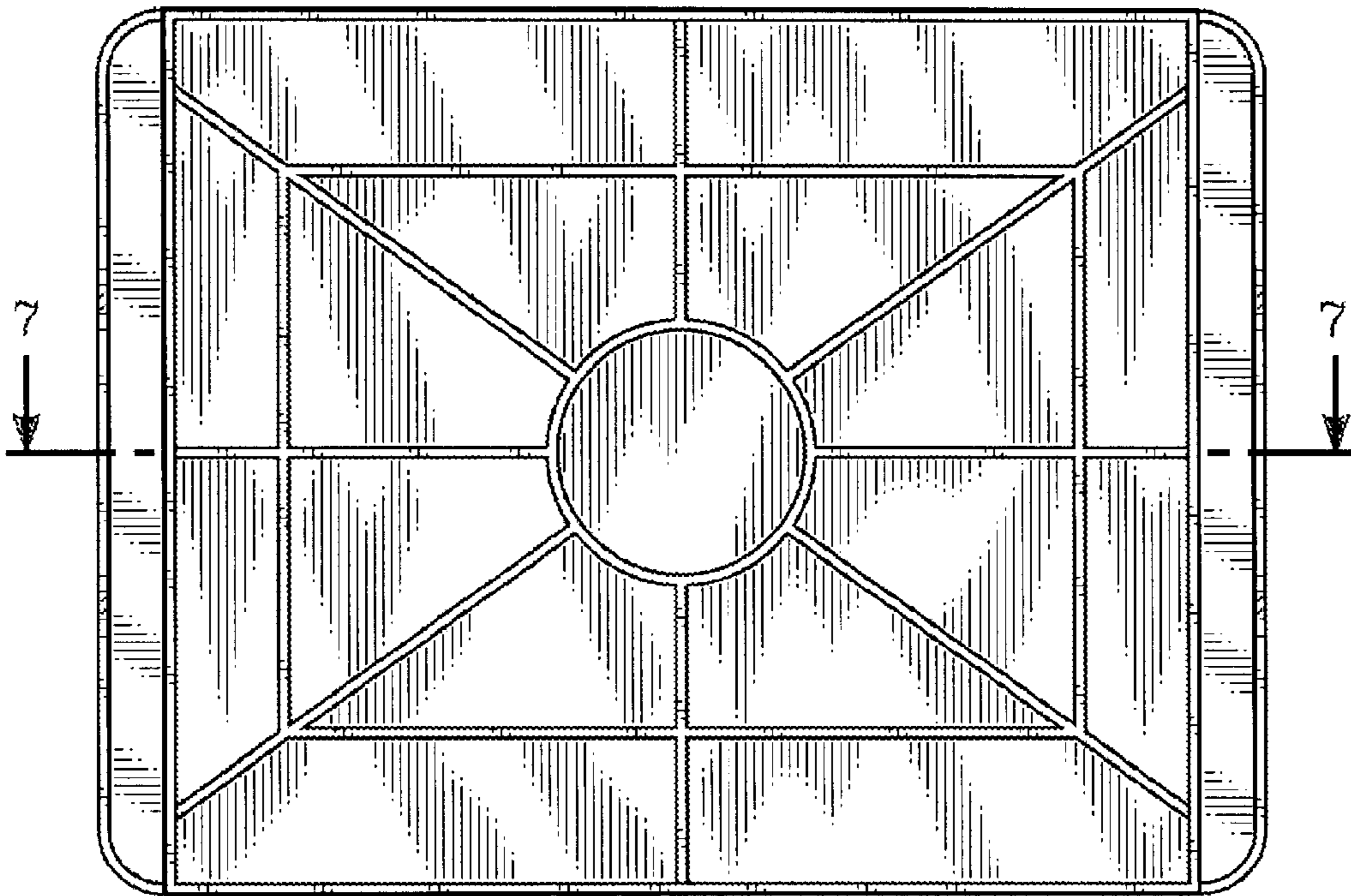


Fig. 6



Fig. 7