



US00D543774S

(12) **United States Design Patent**  
**Rohrer**

(10) **Patent No.:** **US D543,774 S**

(45) **Date of Patent:** **\*\* Jun. 5, 2007**

(54) **SALAD CUTTER**

(75) **Inventor:** **Jeffrey S. Rohrer**, Kewaskum, WI (US)

(73) **Assignee:** **Regal Ware, Inc.**, Kewaskum, WI (US)

(\*\*) **Term:** **14 Years**

(21) **Appl. No.:** **29/221,490**

(22) **Filed:** **Jan. 14, 2005**

(51) **LOC (8) Cl.** ..... **31-00**

(52) **U.S. Cl.** ..... **D7/381**

(58) **Field of Classification Search** ..... D7/372,  
D7/373, 368, 376-386, 399, 412-414, 665;  
99/337, 509-511, 645; 241/30-37.5, 82,  
241/82.1, 82.6, 92, 93, 101.01-101.2, 166-169.1,  
241/273.2, 273.3, 274-278.2, 282.1, 282.2,  
241/285.1-285.3, 291, 292.1; 366/64-67,  
366/98, 197-221, 241-254, 279-292, 341-343,  
366/325.94

See application file for complete search history.

(56) **References Cited**

**U.S. PATENT DOCUMENTS**

344,046 A	6/1886	Holmes	
399,587 A *	3/1889	Warren	241/82.1
859,368 A	7/1907	Collins	
913,187 A *	2/1909	Arnstein	241/93
1,114,411 A *	10/1914	Stuver	241/280
1,133,443 A	3/1915	Martin	
1,373,843 A	4/1921	Sundberg	
1,738,896 A	12/1929	Hansen	
1,780,173 A	11/1930	Crowe	
1,928,718 A	10/1933	Covey	
1,942,766 A	1/1934	O'Banion	
D156,557 S *	12/1949	Piker	D7/678
2,596,604 A *	5/1952	Schaeffer	241/280
2,695,643 A *	11/1954	Aberer	241/92
2,945,298 A	7/1960	Guttman	
2,958,355 A	11/1960	Young	
3,115,171 A	12/1963	Loveland	
3,138,823 A	6/1964	Langner	
D206,927 S *	2/1967	Pompeil	D7/372

3,353,266 A	11/1967	Goolsby	
D215,390 S *	9/1969	McGee	D7/383
D217,691 S	5/1970	Earp	
3,610,304 A *	10/1971	Popeil et al.	241/92
3,664,021 A	5/1972	Sawyer	
3,710,445 A	1/1973	Roth	
3,711,945 A	1/1973	Cronheim	
3,713,378 A	1/1973	West et al.	
3,772,737 A	11/1973	Fleiss	
D233,123 S *	10/1974	Rigamonti	D7/372
3,996,846 A	12/1976	Hupf	

(Continued)

**FOREIGN PATENT DOCUMENTS**

CA	1270657	6/1990
CA	2131876	9/2002
CH	642245	4/1984
DE	611489	3/1935
DE	9003291	7/1990
IT	573580	2/1958
KR	105515	10/1996
WO	WO 97/24469	7/1997

*Primary Examiner*—Cathron C. Brooks

*Assistant Examiner*—Ricky Pham

(74) *Attorney, Agent, or Firm*—Ryan Kromholz & Manion, S.C.

(57) **CLAIM**

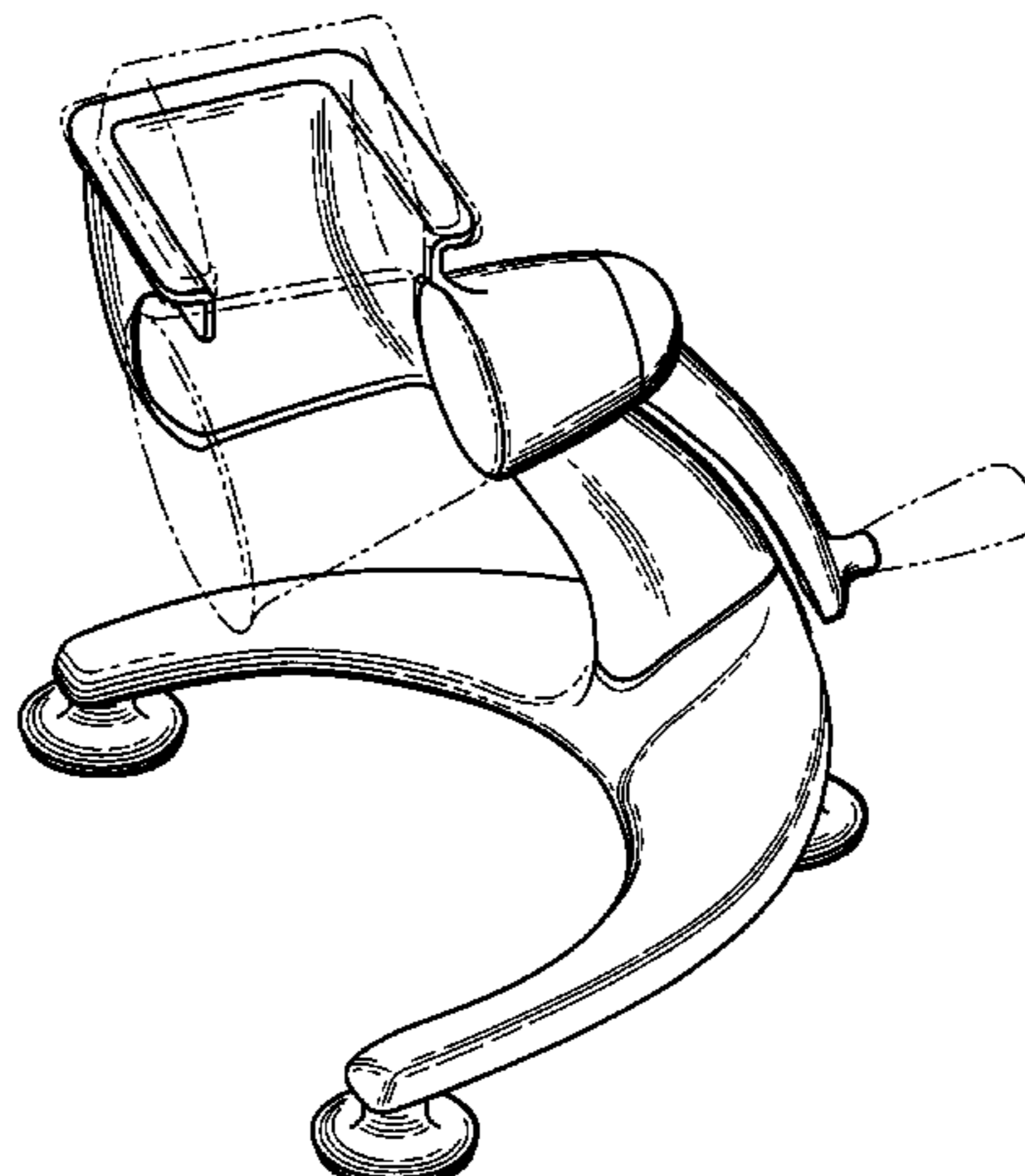
The ornamental design for a salad cutter, as shown and described.

**DESCRIPTION**

FIG. 1 is a right, front perspective view of the salad cutter of the present invention;  
FIG. 2 is a right side view thereof;  
FIG. 3 is a left side view thereof.  
FIG. 4 is a rear side view thereof;  
FIG. 5 is a front side view thereof;  
FIG. 6 is a top view thereof; and,  
FIG. 7 is a bottom view thereof.

The broken lines shown in the drawings are for illustrative purposes only and form no part of the claimed design.

**1 Claim, 3 Drawing Sheets**



# US D543,774 S

Page 2

U.S. PATENT DOCUMENTS							
4,100,677	A	7/1978	Jeff	D344,213	S	2/1994	Johns
4,134,358	A	1/1979	Heermans	5,355,588	A	10/1994	Brandenburg, Jr. et al.
D253,155	S	10/1979	Jurida	5,400,512	A	3/1995	Brush
4,199,841	A	4/1980	Jaccard	5,463,942	A	11/1995	Hupf et al.
4,254,700	A	3/1981	Fleming	D365,971	S	1/1996	Brockmann
4,258,657	A	3/1981	Fritz	5,493,781	A	2/1996	Saito
D260,129	S	* 8/1981	Shun ..... D7/678	D369,718	S	5/1996	Rohrer
D260,351	S	* 8/1981	Shun ..... D7/372	5,531,095	A	7/1996	Hupf
4,295,272	A	10/1981	Kubota	D372,634	S	8/1996	Rohrer
4,418,637	A	12/1983	Heermans	D376,726	S	12/1996	Rohrer
4,437,237	A	3/1984	Ducret	D377,581	S	1/1997	Rohrer
4,463,476	A	8/1984	Jaccard	D383,192	S	9/1997	Johnson
4,534,858	A	8/1985	Aldrich et al.	5,670,216	A	9/1997	Oak et al.
4,606,823	A	8/1986	Lucas, III	5,698,769	A	12/1997	Hupf
4,667,085	A	5/1987	Rommel et al.	5,765,289	A	6/1998	Schulz et al.
4,674,154	A	6/1987	Gilbert et al.	5,765,431	A	6/1998	Hupf
4,681,000	A	7/1987	Wolters	5,787,779	A	8/1998	Garuglieri
RE32,501	E	9/1987	Okada	D401,815	S	12/1998	Filipovic
D297,390	S	8/1988	Fehrmann	D414,383	S	9/1999	Fitzgibbons et al.
4,776,092	A	10/1988	Moore et al.	6,004,000	A	12/1999	Hupf et al.
4,776,296	A	10/1988	Heermans	6,080,496	A	6/2000	Hupf et al.
4,848,001	A	7/1989	Clark et al.	6,094,824	A	8/2000	Takeshita
4,862,552	A	9/1989	Rommel	6,209,750	B1	4/2001	Rommel
4,972,769	A	11/1990	Cailliot	6,260,733	B1	7/2001	Eimerman
5,023,927	A	6/1991	Bardell	6,282,794	B1	9/2001	Cho et al.
5,144,749	A	9/1992	Chen	D484,738	S	* 1/2004	Wong ..... D7/372

\* cited by examiner

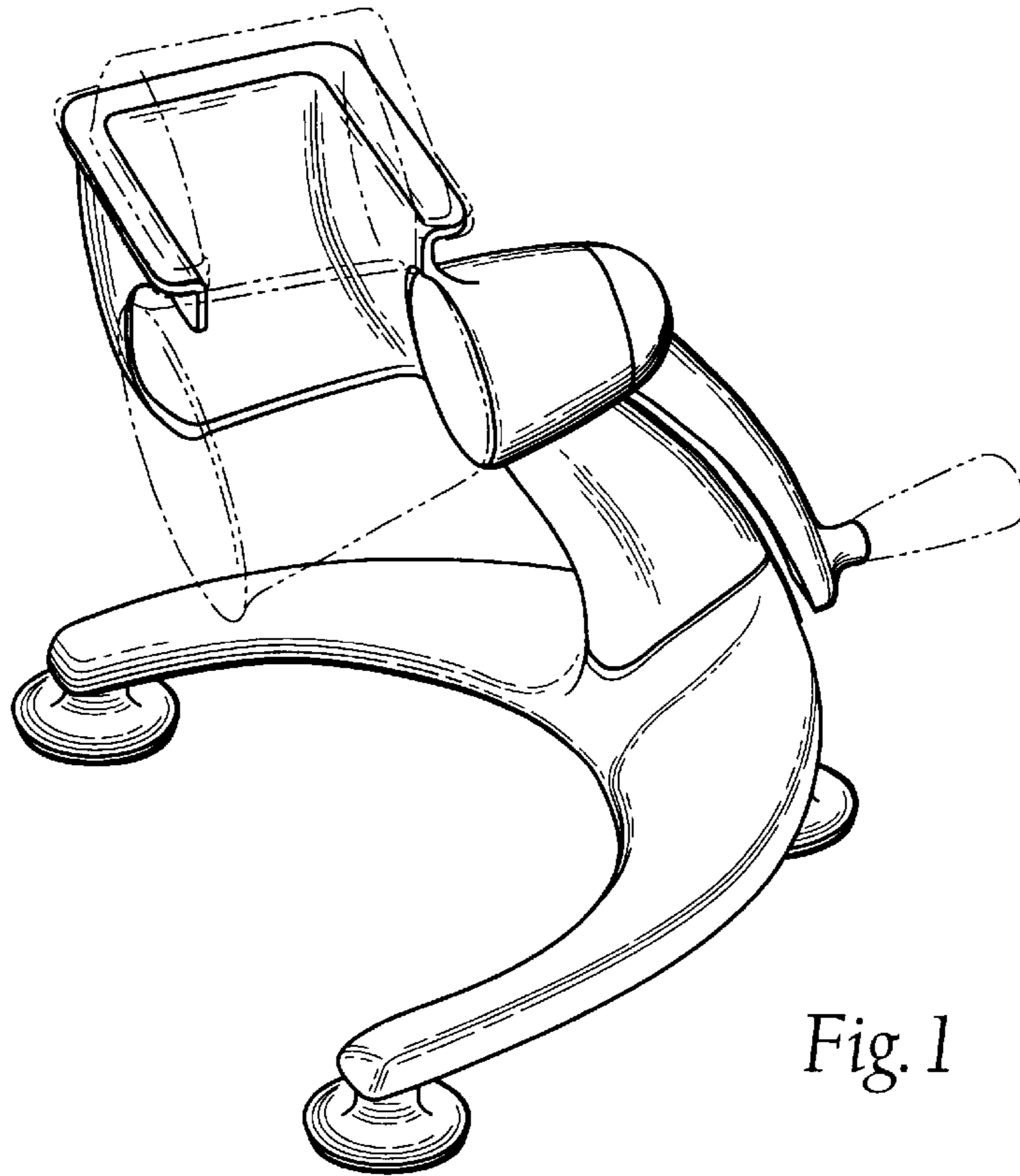


Fig. 1

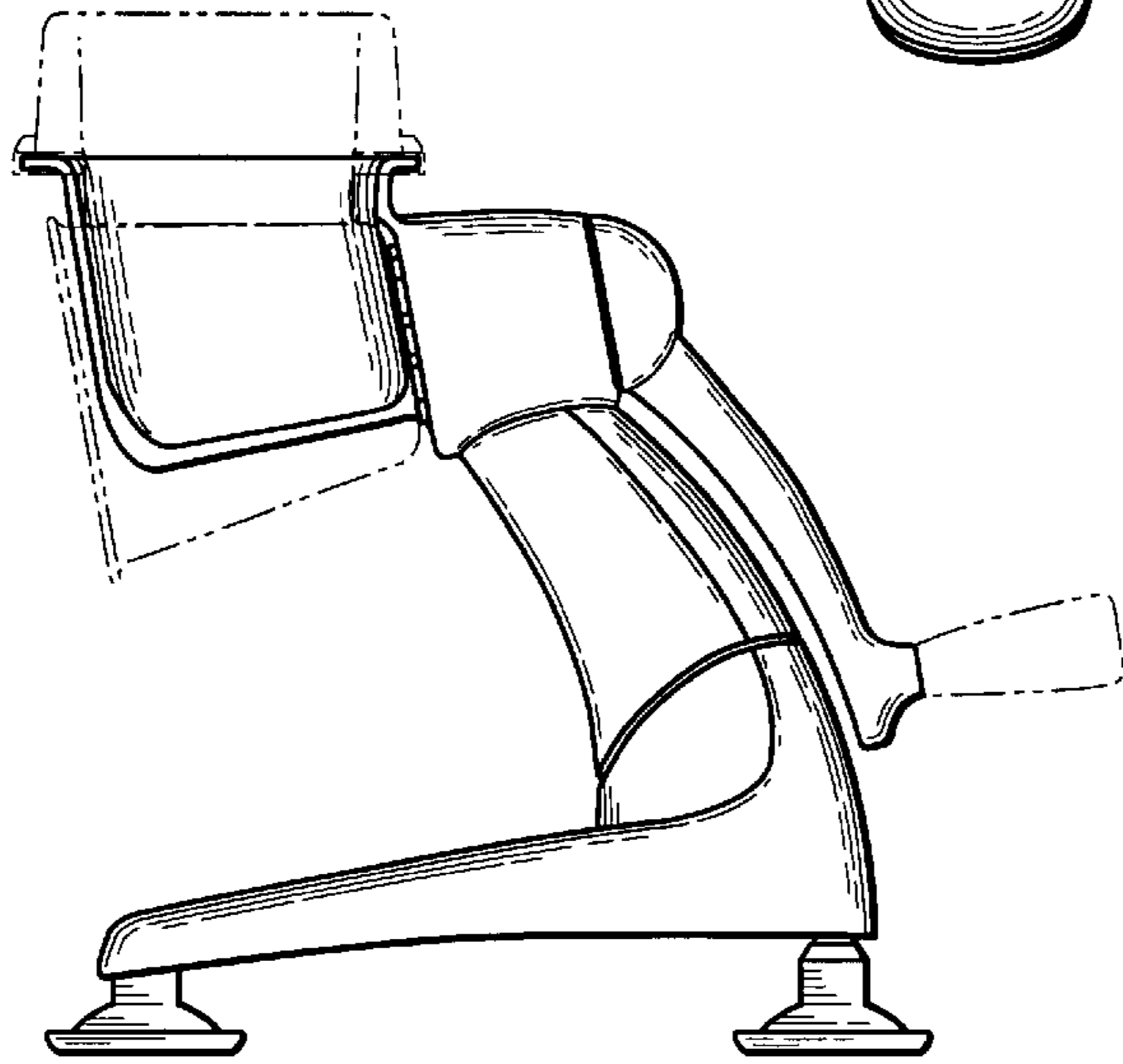


Fig. 2

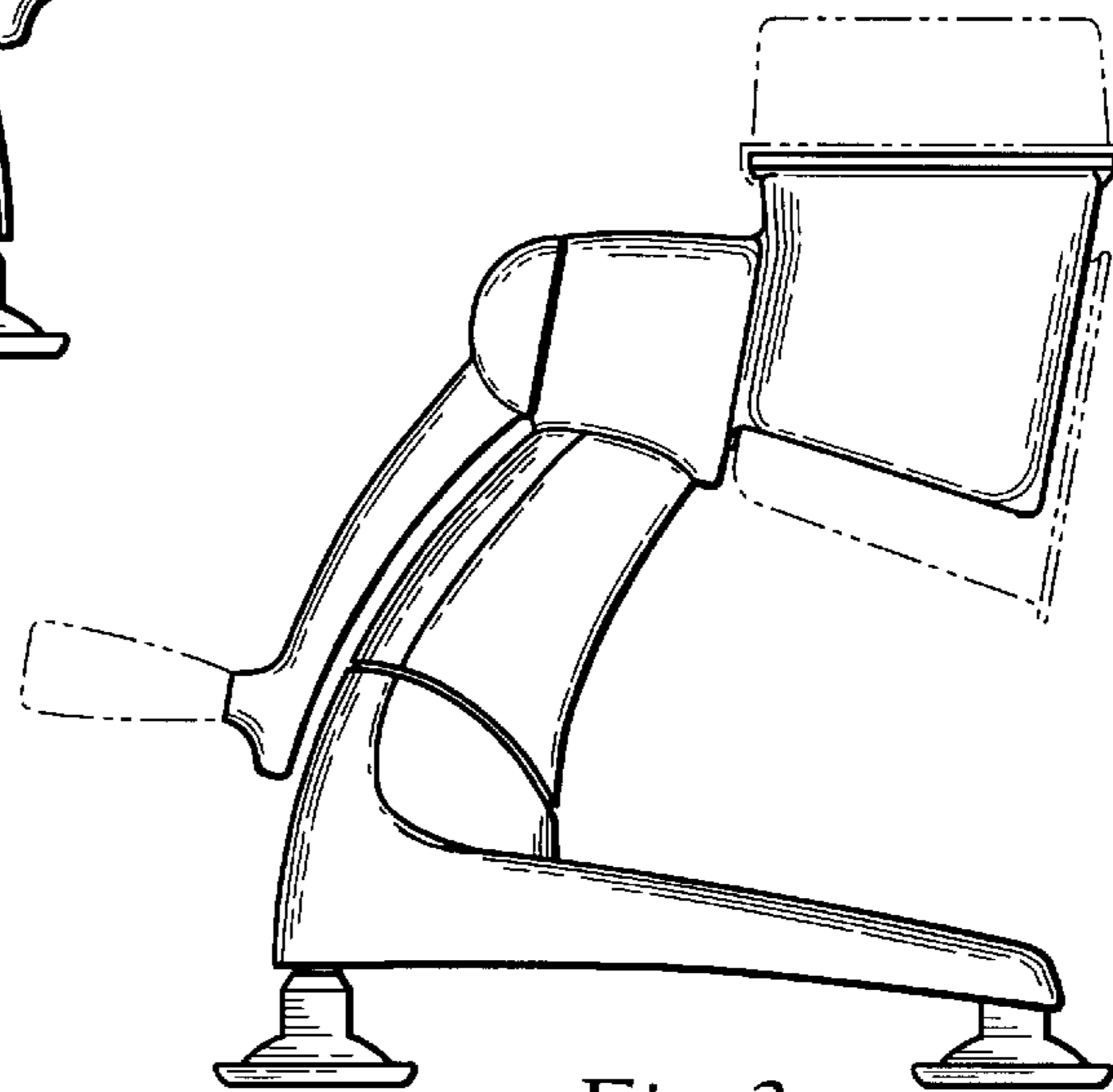


Fig. 3

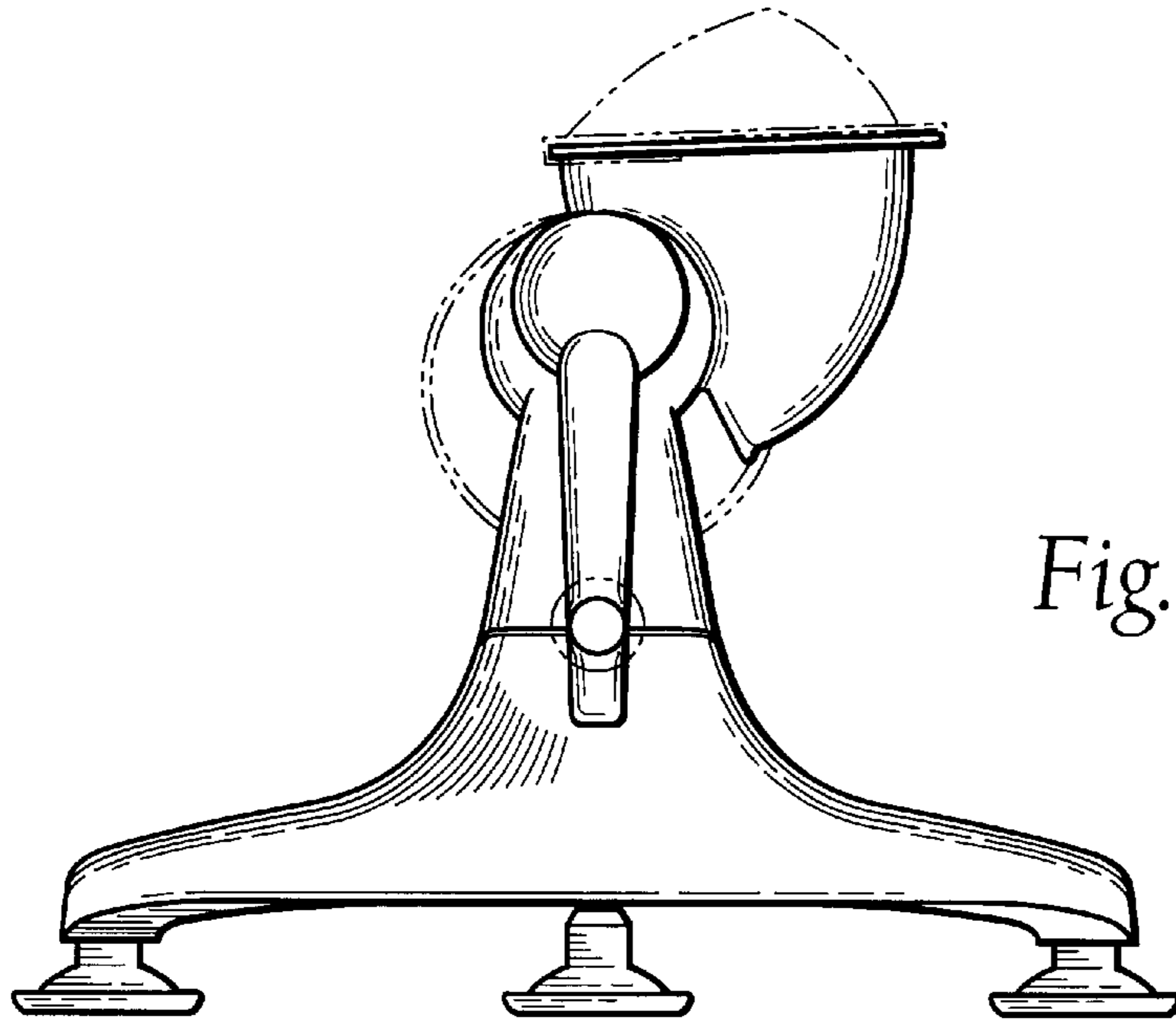


Fig. 4

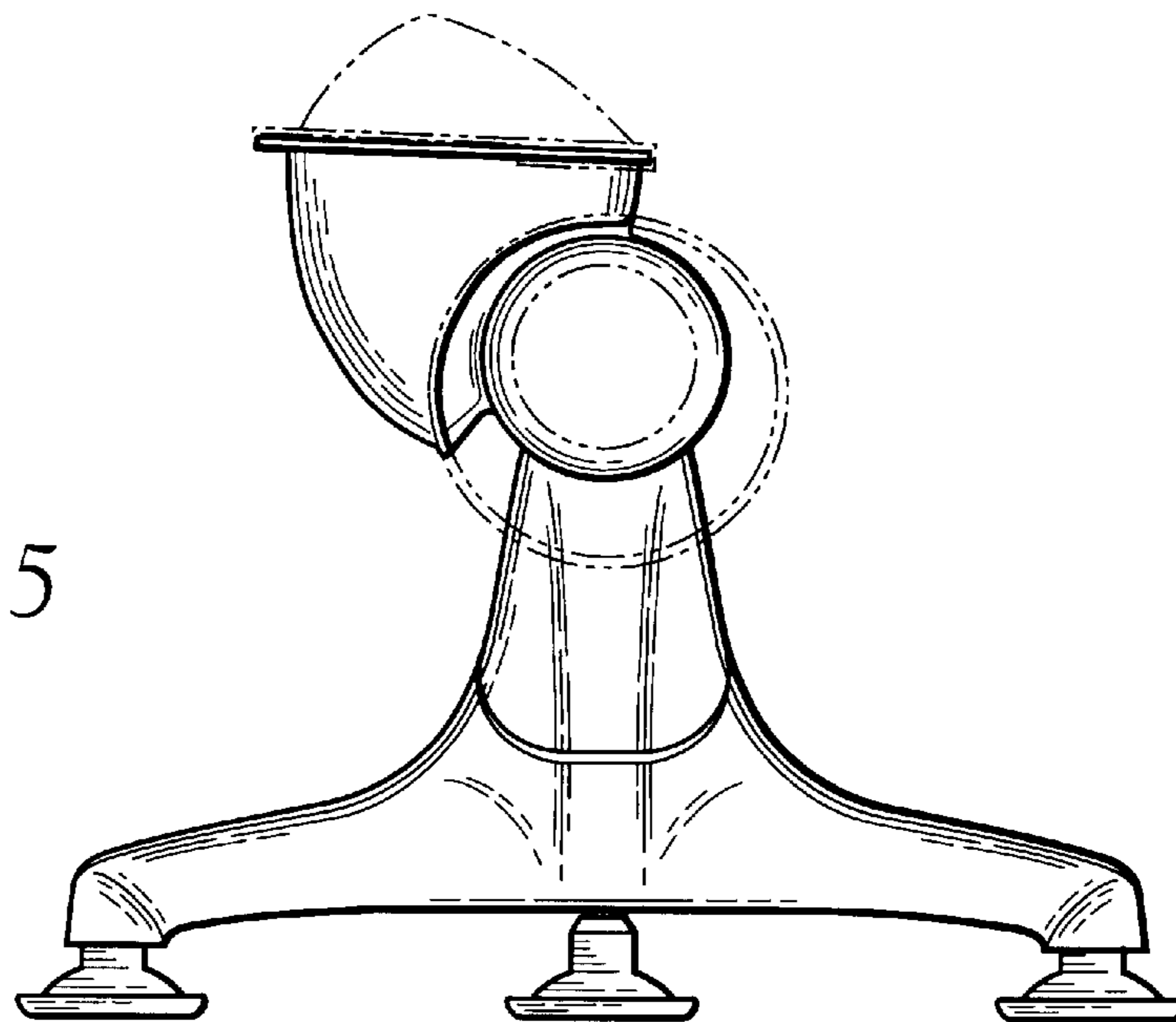


Fig. 5

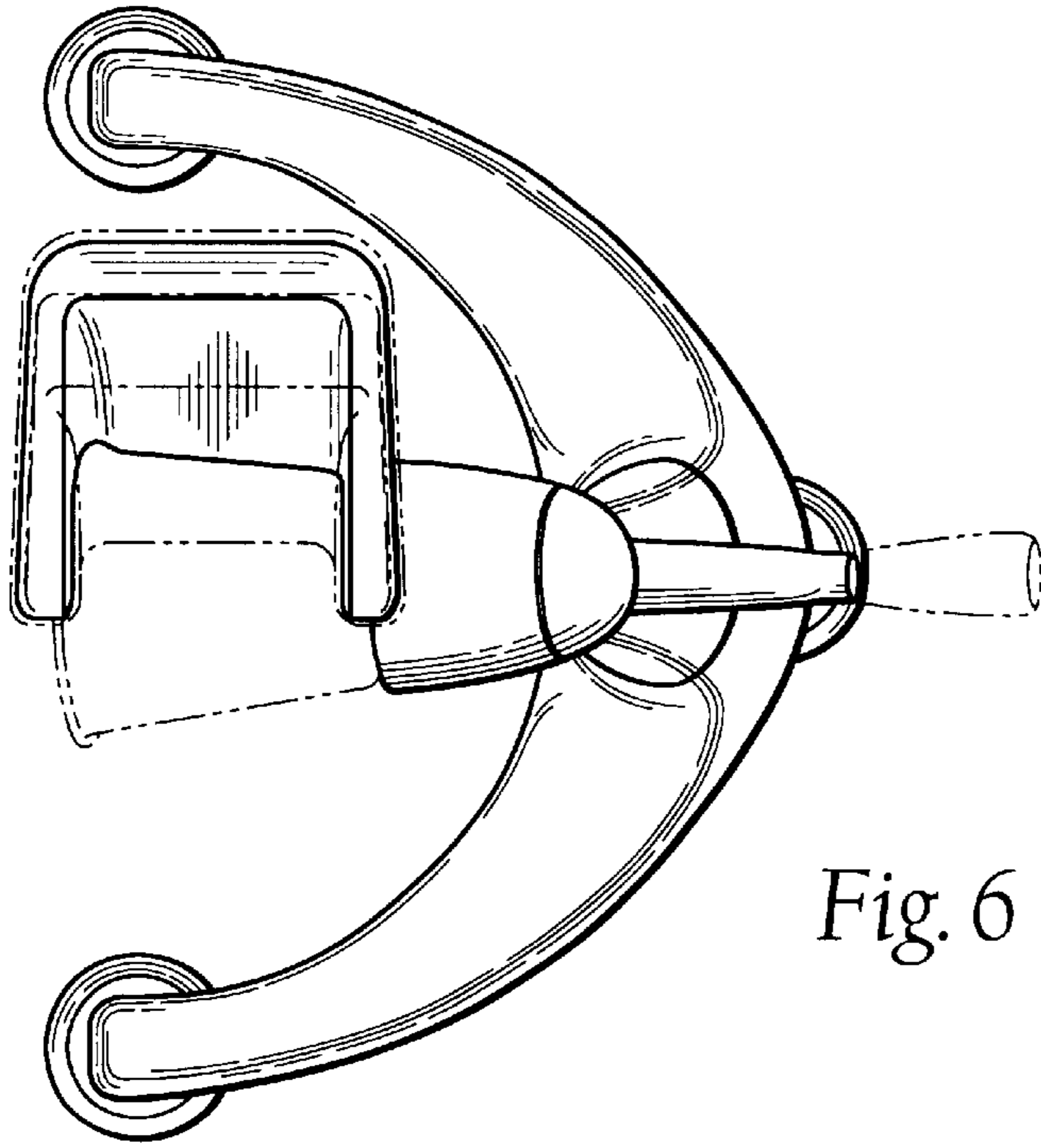


Fig. 6

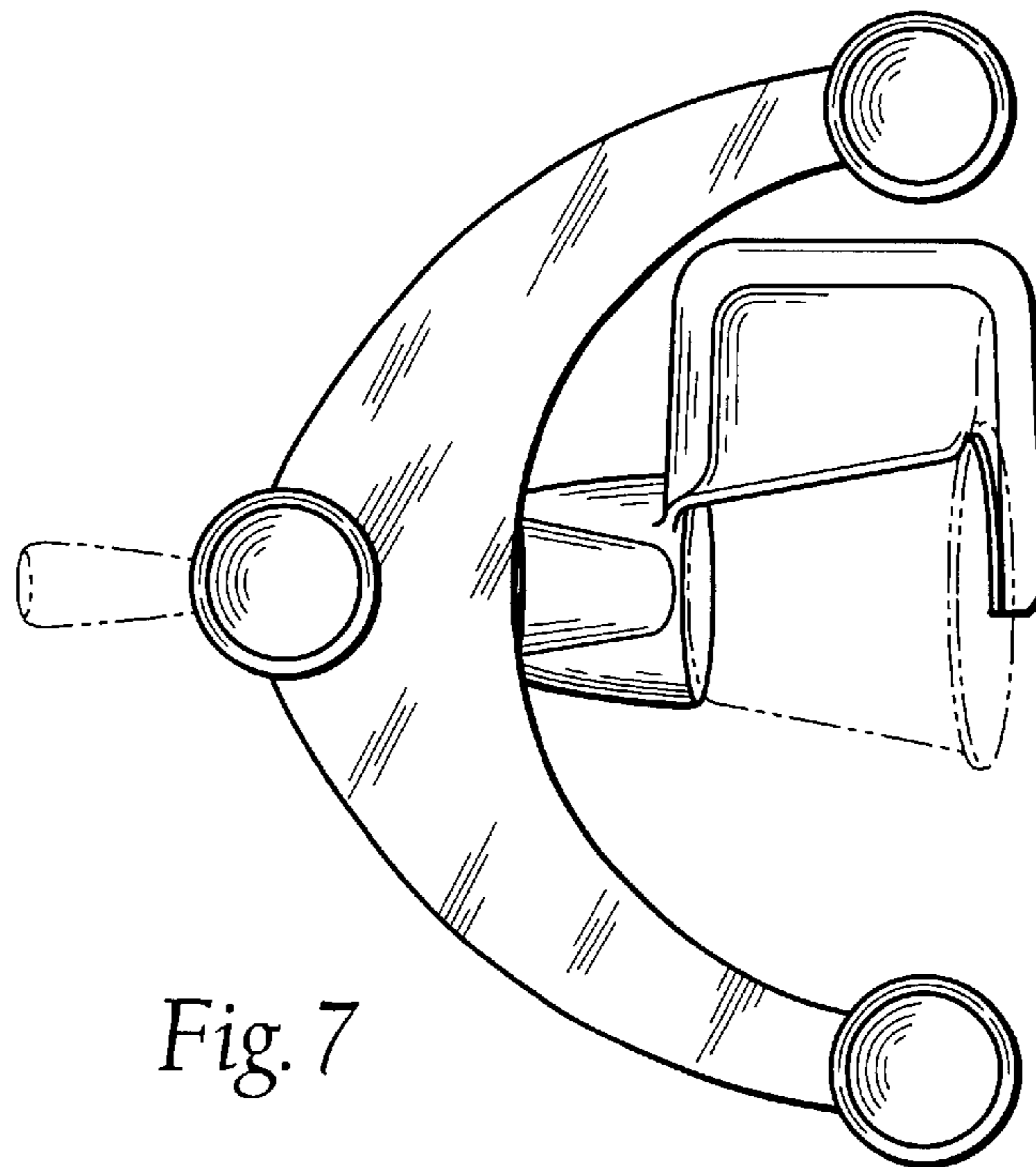


Fig. 7