



US00D543773S

(12) **United States Design Patent**  
**Reckert et al.**

(10) **Patent No.:** **US D543,773 S**

(45) **Date of Patent:** **\*\* Jun. 5, 2007**

(54) **TWO HANDLE TRAY**

(75) Inventors: **John Reckert**, Cooper City, FL (US);  
**Duane Crisp**, Miami, FL (US)

(73) Assignee: **Clipper Corporation**, Carson, CA (US)

(\*\*) Term: **14 Years**

(21) Appl. No.: **29/226,257**

(22) Filed: **Mar. 26, 2005**

(51) **LOC (8) Cl.** ..... **07-02**

(52) **U.S. Cl.** ..... **D7/360**

(58) **Field of Classification Search** ..... D7/323,  
D7/354-360, 550.1, 551.1, 552.1, 553.1,  
D7/543, 554.1, 554.2, 554.3, 393, 554.4,  
D7/602; 99/324, 339, 422, 446, 448; 220/573.1,  
220/573.2, 573.3, 574, 573.4, 912; 294/172  
See application file for complete search history.

(56) **References Cited**

**U.S. PATENT DOCUMENTS**

- 1,204,429 A \* 11/1916 Griswold ..... 99/425
- 2,047,835 A \* 7/1936 Prew ..... 294/172
- D181,246 S \* 10/1957 Boldt ..... D7/361
- 3,713,380 A \* 1/1973 Bardin ..... 99/422

- D245,059 S \* 7/1977 Bardin ..... D7/361
- D247,539 S \* 3/1978 Mizoguchi ..... D7/352
- D248,722 S \* 8/1978 Tsuji ..... D7/352
- D297,604 S \* 9/1988 Hagberg et al. .... D7/359
- D379,135 S \* 5/1997 Vina ..... D7/552.1
- D395,548 S \* 6/1998 Morissette ..... D3/307
- D434,265 S \* 11/2000 Tatlow ..... D7/354
- D458,797 S \* 6/2002 Kellermann ..... D7/360
- D470,713 S \* 2/2003 Swinford et al. .... D7/360

\* cited by examiner

*Primary Examiner*—Cathron C. Brooks

*Assistant Examiner*—Ricky Pham

(74) *Attorney, Agent, or Firm*—Marcia A. Devon

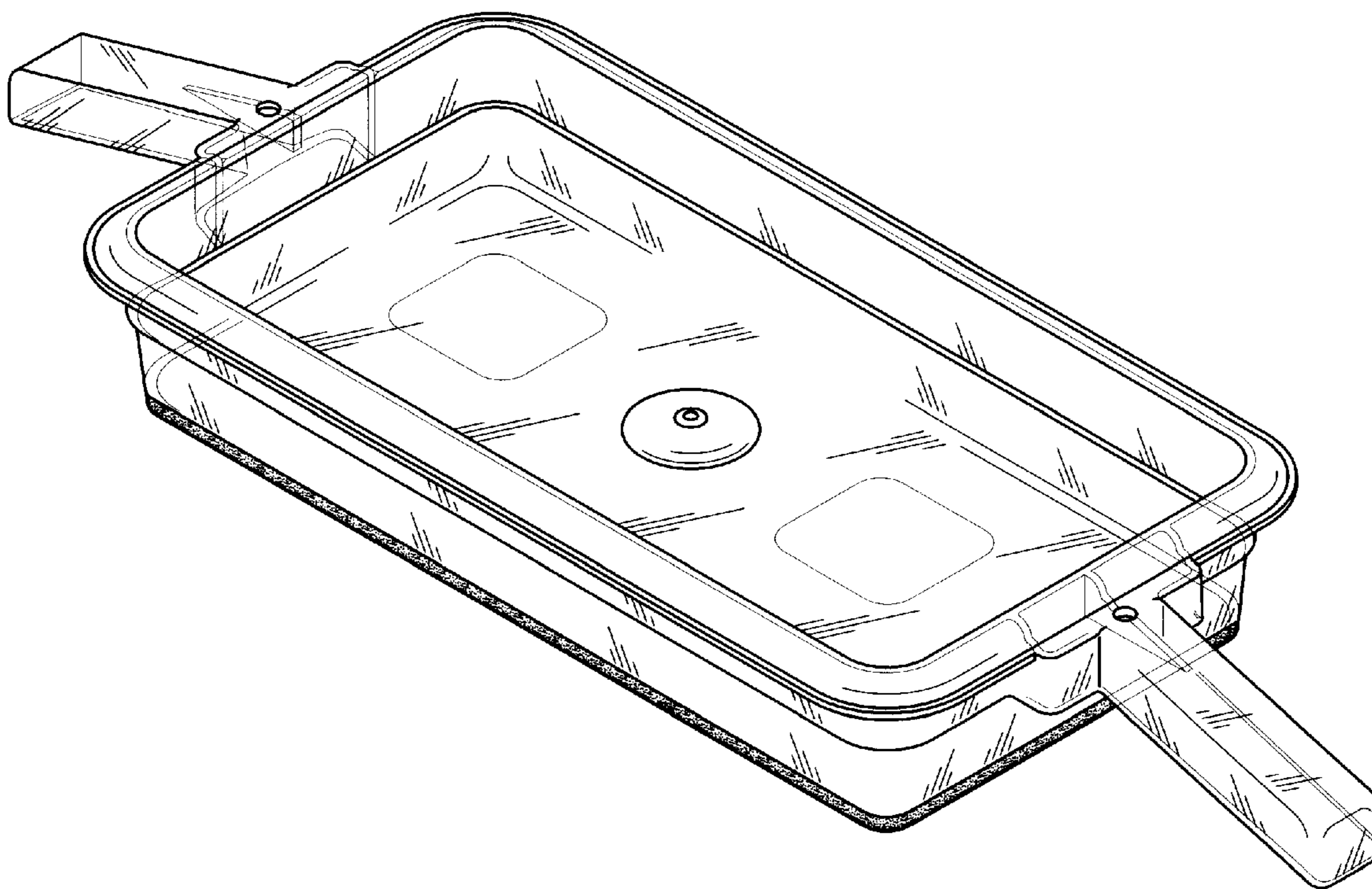
(57) **CLAIM**

The ornamental design for the two-handle tray, as shown.

**DESCRIPTION**

FIG. 1 is a perspective view of the invention;  
 FIG. 2 is a top plan view of the invention;  
 FIG. 3 is a side view of the invention;  
 FIG. 4 is a bottom plan view of the invention; and,  
 FIG. 5 is an end view of the invention.

**1 Claim, 3 Drawing Sheets**



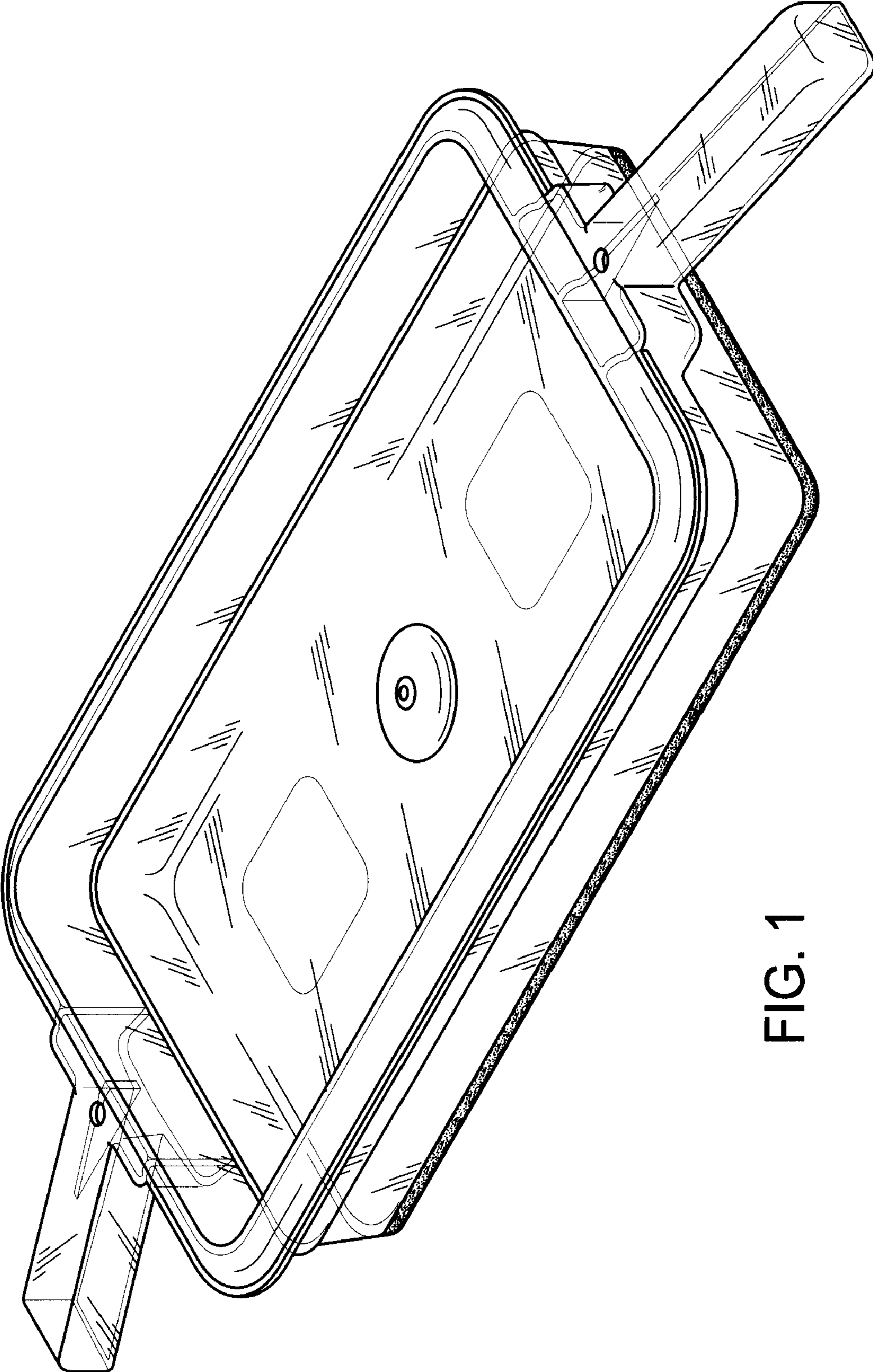


FIG. 1

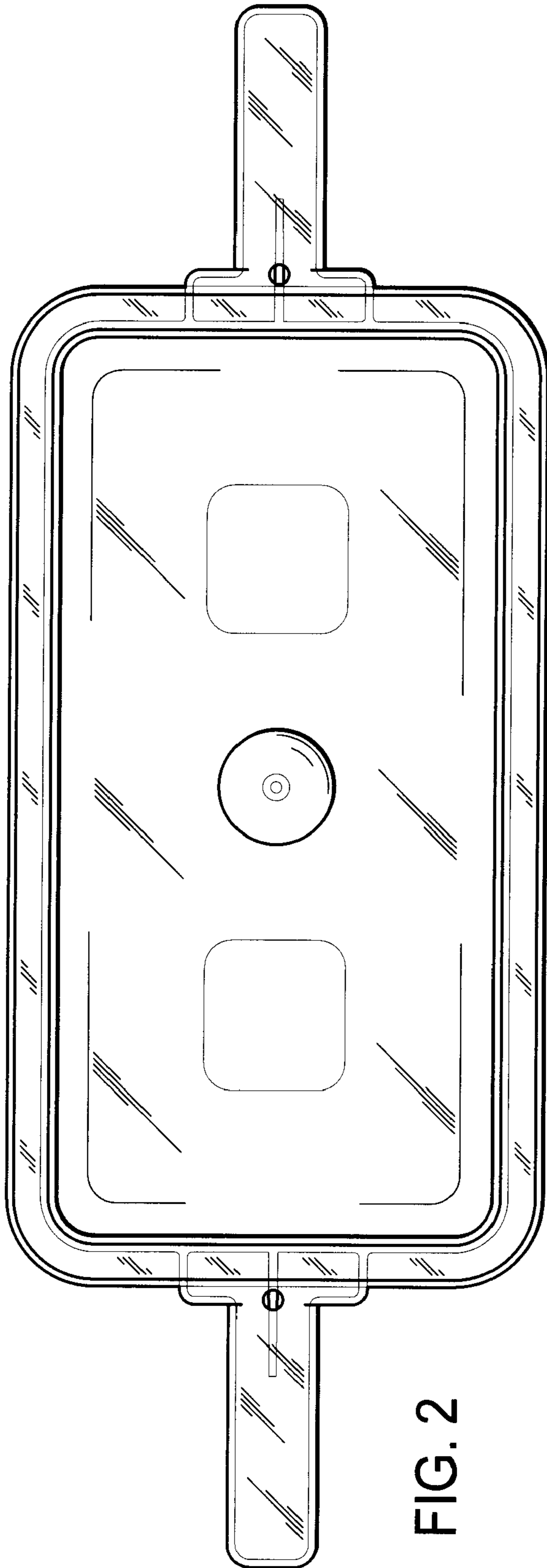


FIG. 2

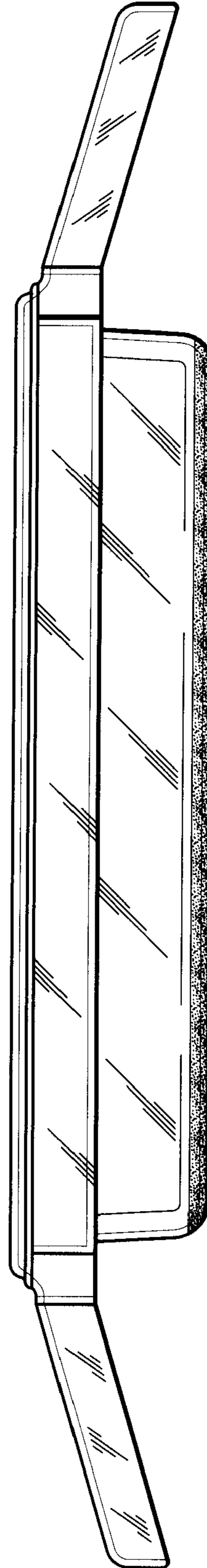


FIG. 3

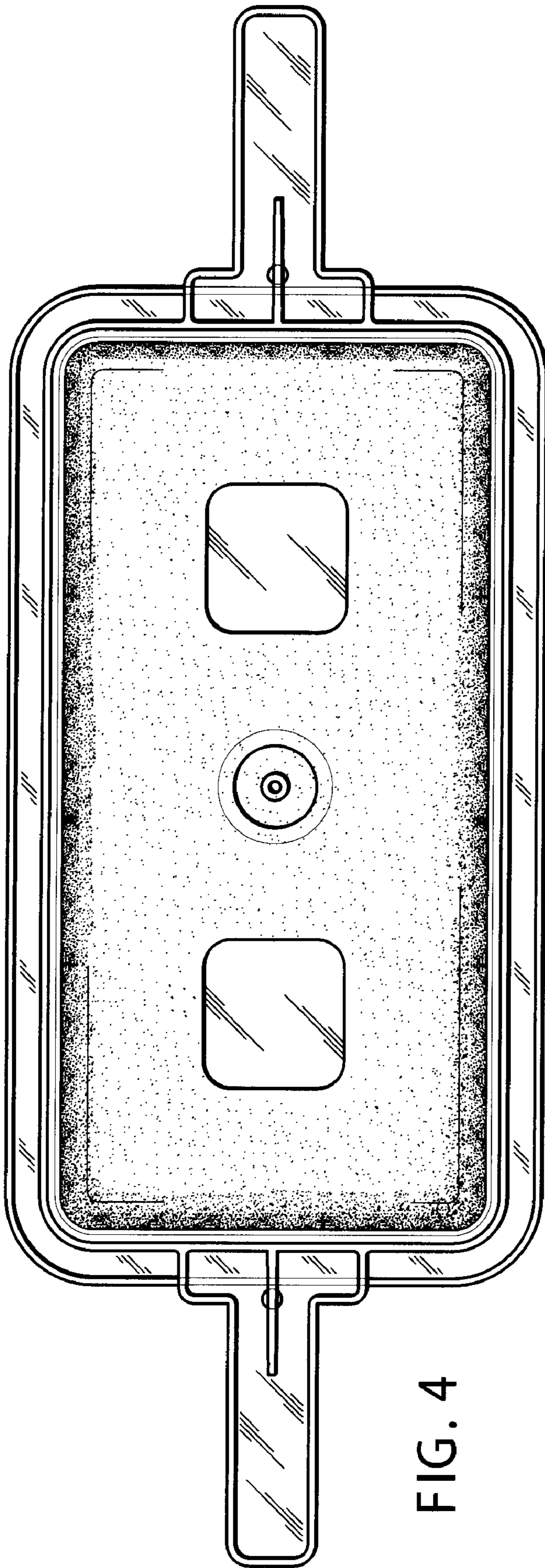


FIG. 4

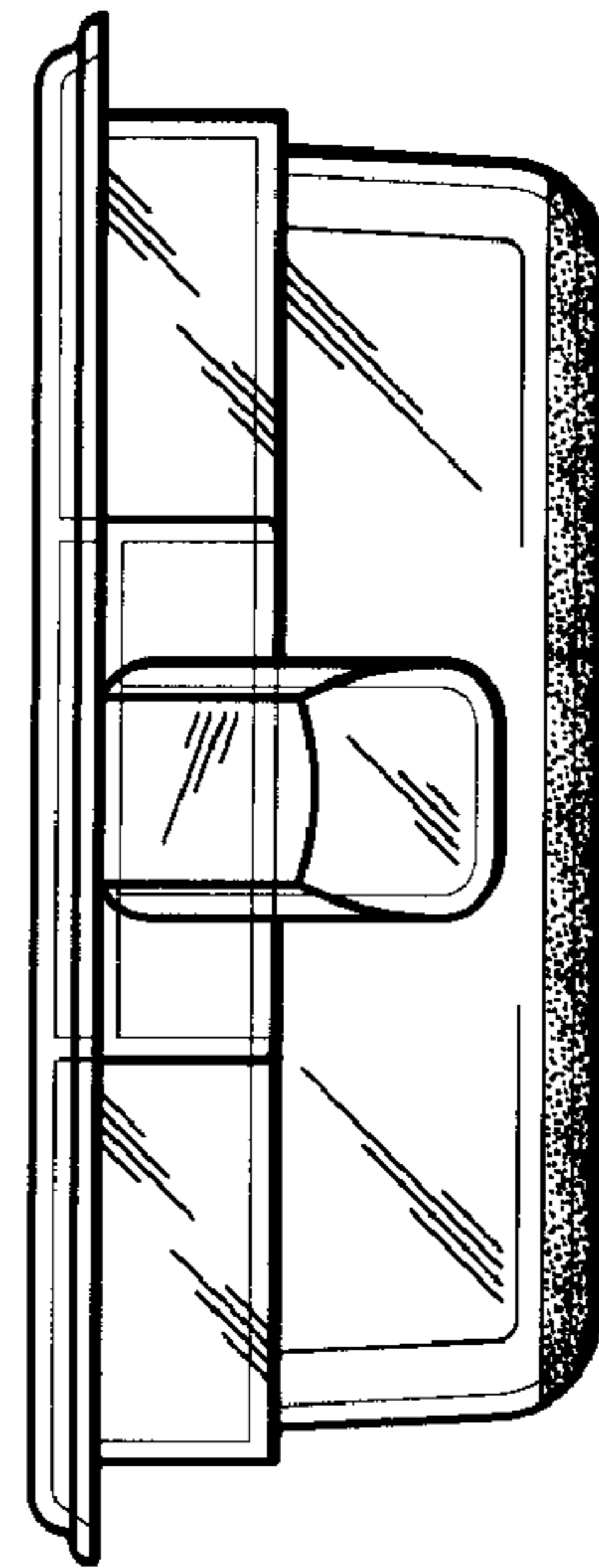


FIG. 5