

US00D543772S

(12) **United States Design Patent**
Roussard

(10) **Patent No.: US D543,772 S**

(45) **Date of Patent: ** Jun. 5, 2007**

(54) **PRESSURE COOKER**

(75) Inventor: **Phillippe Roussard**, Is sur Tille (FR)

(73) Assignee: **SEB**, Selongey (FR)

(**) Term: **14 Years**

(21) Appl. No.: **29/263,358**

(22) Filed: **Jul. 21, 2006**

(30) **Foreign Application Priority Data**

Jan. 24, 2006 (FR) 06 0420

(51) **LOC (8) Cl.** **07-02**

(52) **U.S. Cl.** **D7/358**

(58) **Field of Classification Search** D7/323,
D7/354-361; 99/324, 325, 329 R, 330-339;
220/203.01, 203.07, 303, 573.1

See application file for complete search history.

(56) **References Cited**

U.S. PATENT DOCUMENTS

- D141,818 S * 7/1945 Kendall D7/358
- D370,381 S * 6/1996 Roussard D7/358
- D384,547 S * 10/1997 Roussard et al. D7/358
- 6,105,810 A * 8/2000 Daenen et al. 220/366.1
- D432,349 S * 10/2000 Jo D7/358
- D433,273 S * 11/2000 Roussard D7/358
- D445,642 S * 7/2001 Rae D7/393
- D455,600 S * 4/2002 Barrena D7/358
- D465,126 S * 11/2002 Mendelson et al. D7/358
- D476,191 S * 6/2003 Josancy D7/358

- D480,262 S * 10/2003 Smekh D7/360
- D486,352 S * 2/2004 Park D7/358
- D521,312 S * 5/2006 Pukall et al. D7/360

FOREIGN PATENT DOCUMENTS

EP 1535553 A1 * 6/2005

OTHER PUBLICATIONS

U.S. Appl. No. 29/206,060, filed May 26, 2004, Philippe Roussard.

U.S. Appl. No. 29/237,731, filed Sep. 7, 2005, Philippe Roussard.

* cited by examiner

Primary Examiner—Cathron C. Brooks

Assistant Examiner—Ricky Pham

(74) *Attorney, Agent, or Firm*—Browdy and Neimark, PLLC

(57) **CLAIM**

The ornamental design for a pressure cooker, as shown.

DESCRIPTION

FIG. 1 is a front elevational view of a pressure cooker in accordance with the present design;

FIG. 2 is a rear elevational view thereof;

FIG. 3 is a left side elevational view thereof;

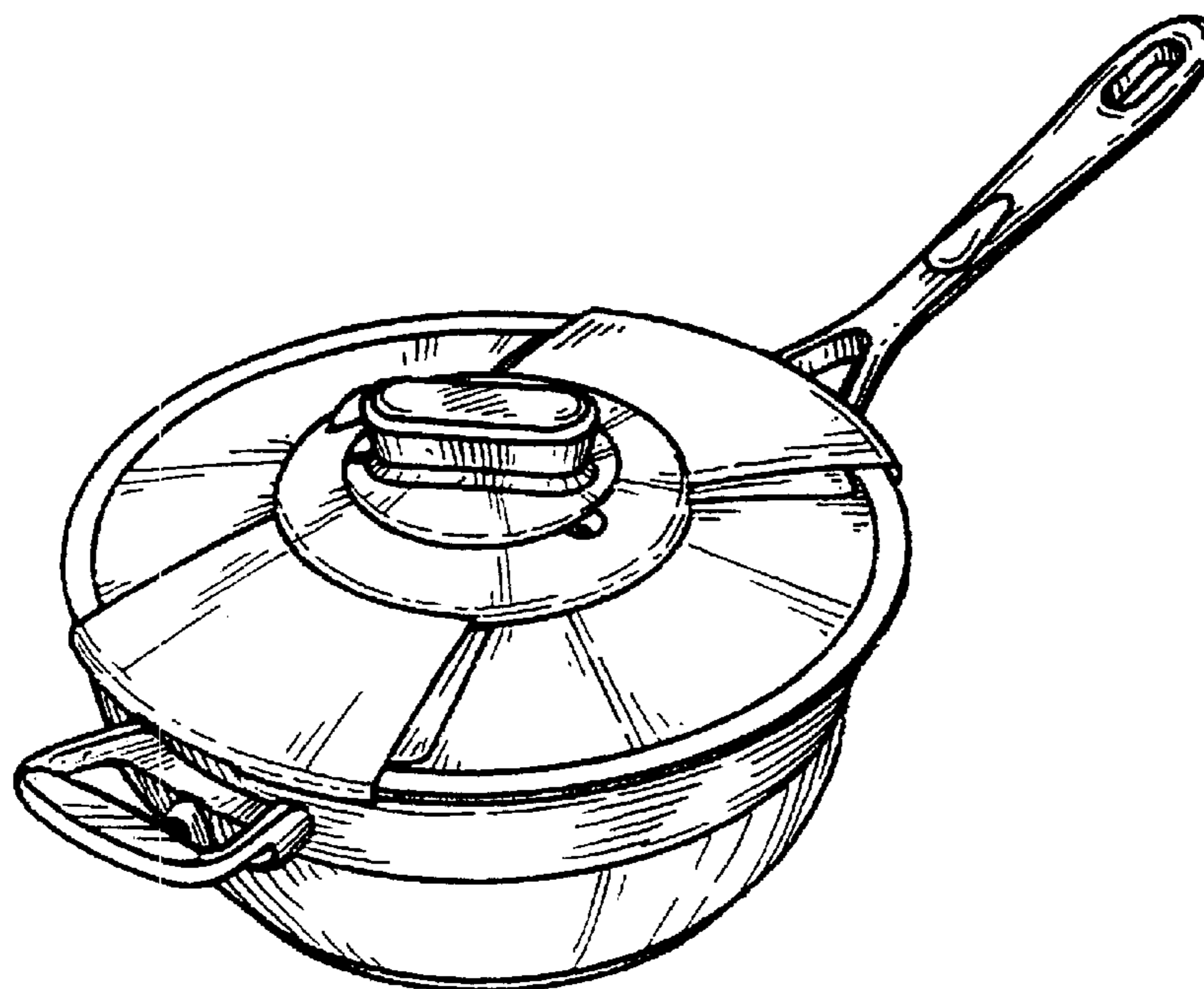
FIG. 4 is a right side elevational view thereof;

FIG. 5 is a top plan view thereof;

FIG. 6 is a bottom plan view thereof; and,

FIG. 7 is a perspective view thereof.

1 Claim, 7 Drawing Sheets



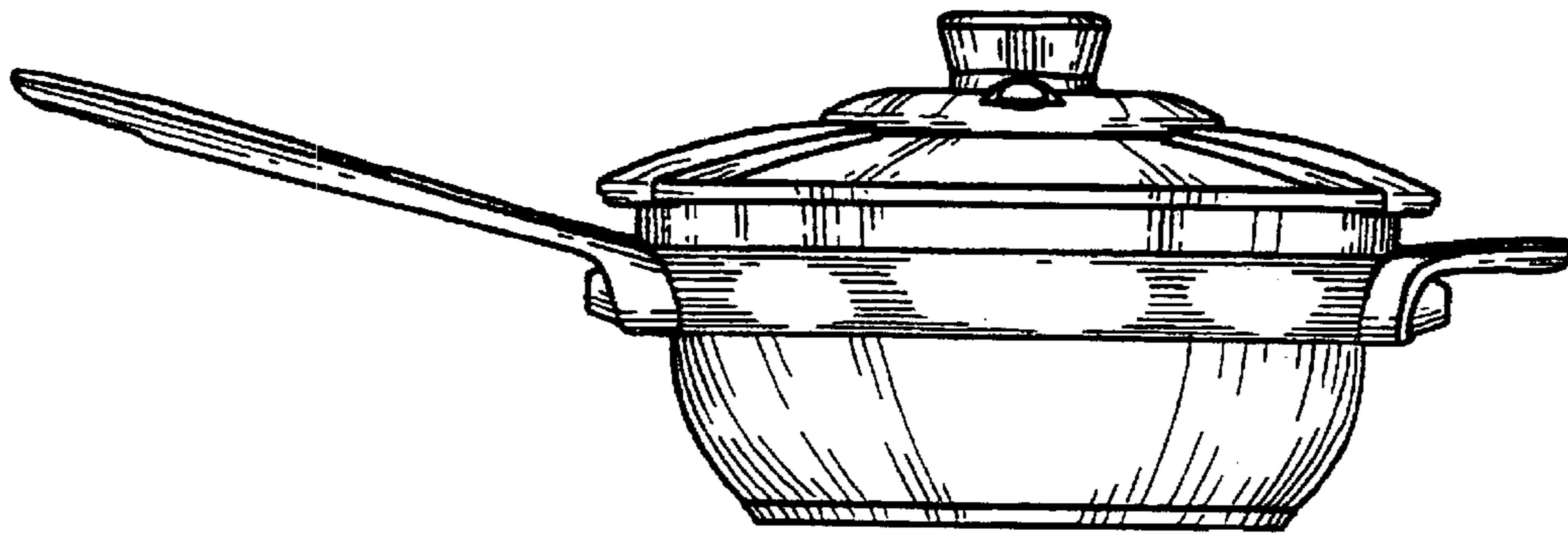


FIG. 1

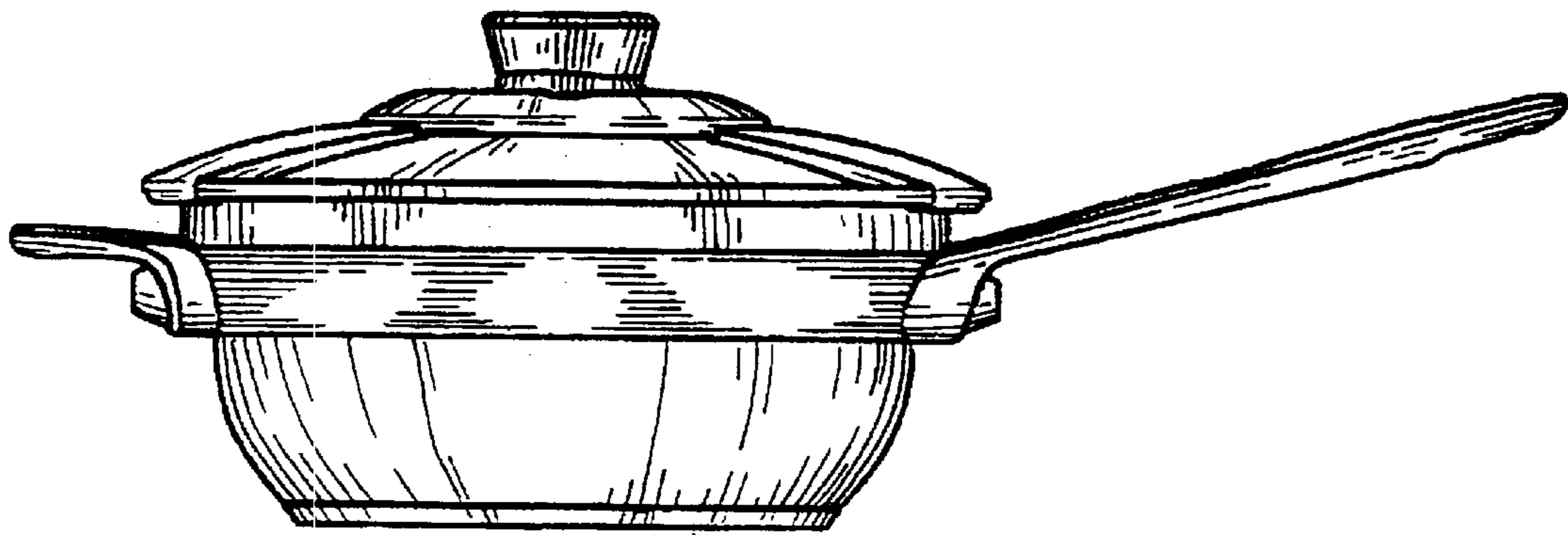


FIG. 2

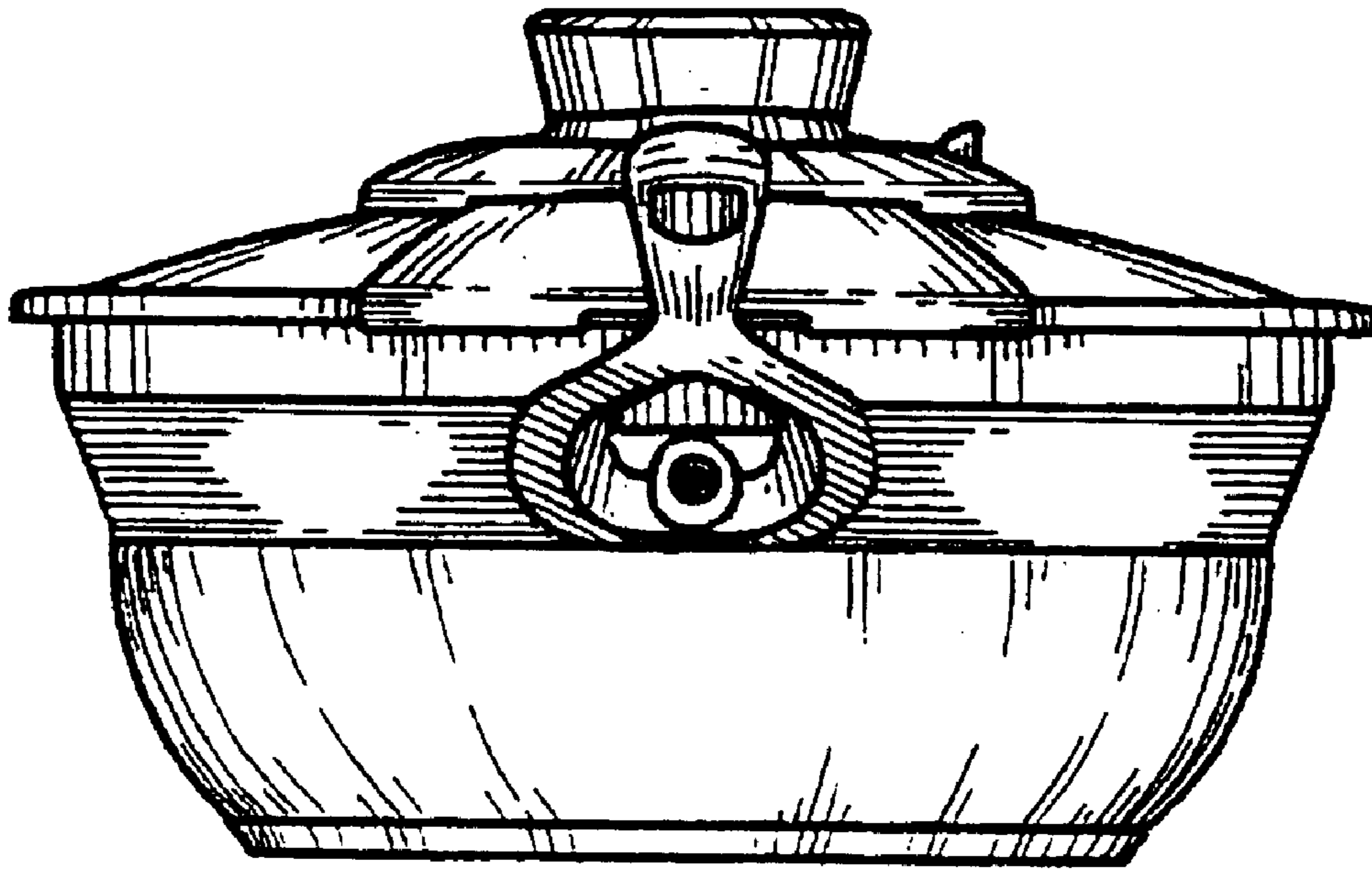


FIG. 3

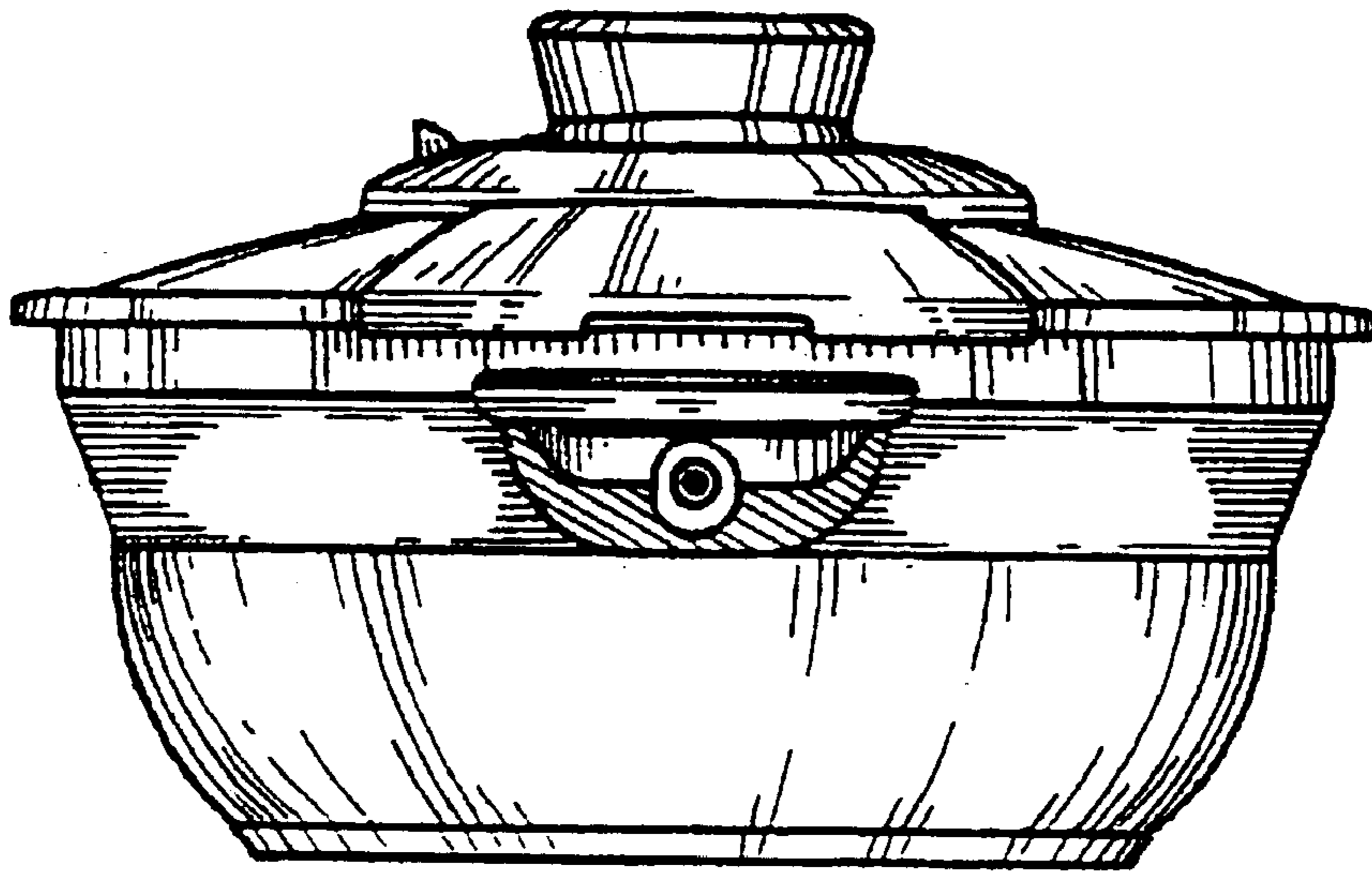


FIG. 4

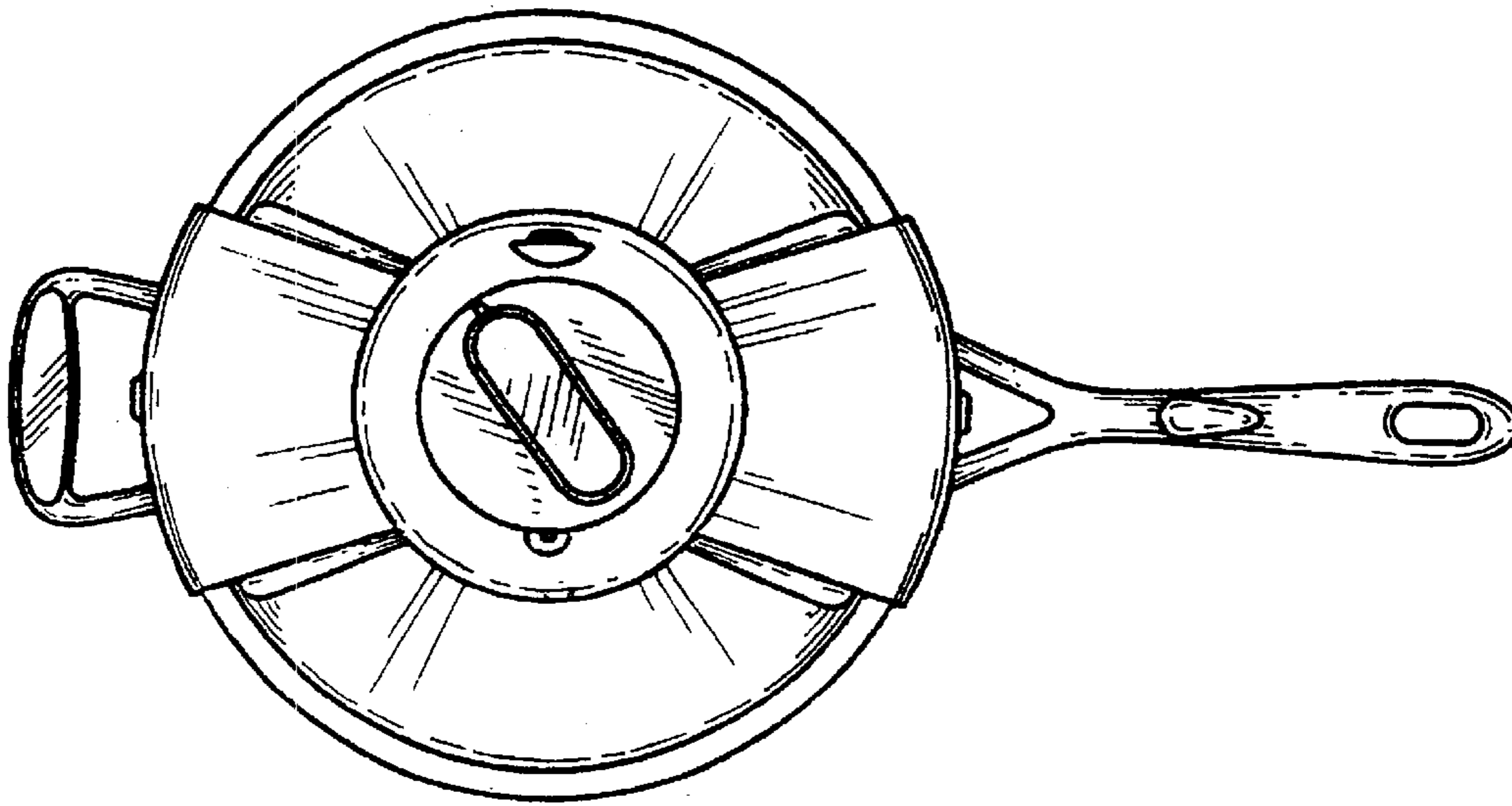


FIG. 5

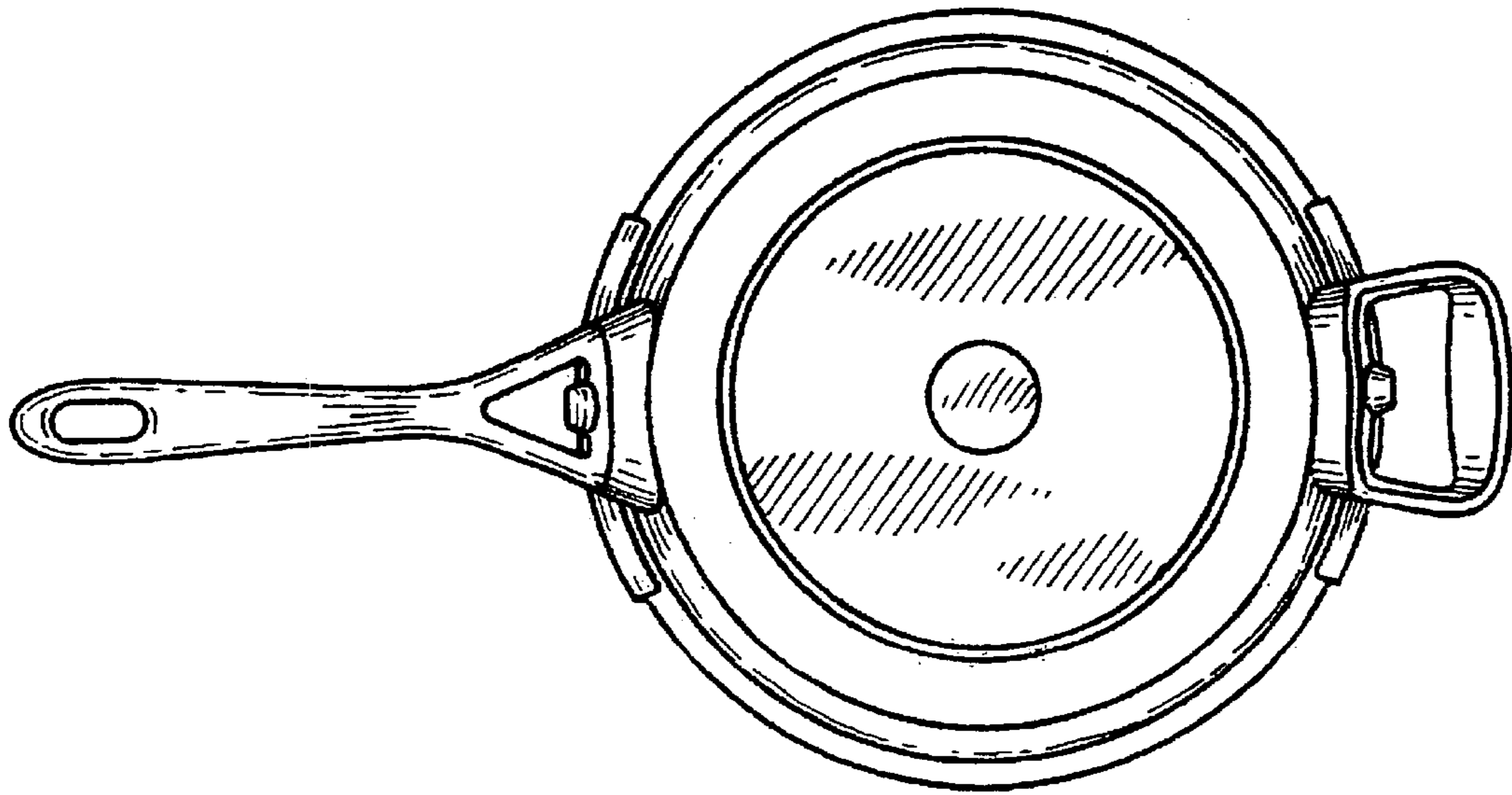


FIG. 6

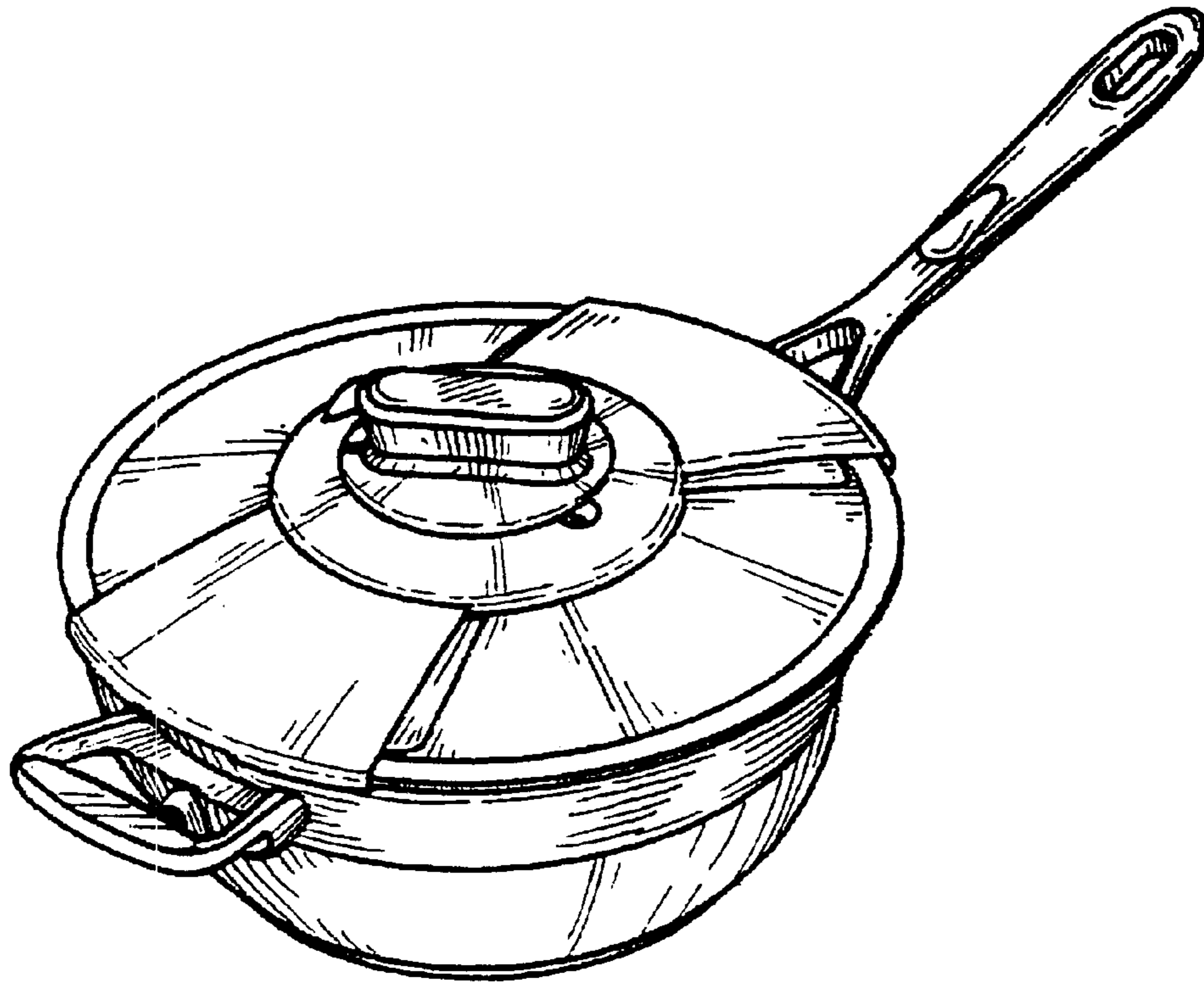


FIG. 7