



US00D543771S

(12) **United States Design Patent**
Julemont

(10) **Patent No.:** **US D543,771 S**

(45) **Date of Patent:** **** Jun. 5, 2007**

(54) **COFFEE MAKER**

(75) **Inventor:** **Pierre L. M. Julemont**, Argenteau
(BE)

(73) **Assignee:** **Conair Corporation**, Stamford, CT
(US)

(**) **Term:** **14 Years**

(21) **Appl. No.:** **29/235,850**

(22) **Filed:** **Aug. 8, 2005**

(51) **LOC (8) Cl.** **07-01**

(52) **U.S. Cl.** **D7/309; D7/310; D7/311**

(58) **Field of Classification Search** D7/309–311,
D7/300, 305–308; 99/295, 292, 303, 286,
99/279, 304, 306; 219/433

See application file for complete search history.

(56) **References Cited**

U.S. PATENT DOCUMENTS

D277,538 S *	2/1985	Jack	D7/309
4,550,652 A *	11/1985	Da Silva	99/279
D431,751 S *	10/2000	Cahen	D7/309
D441,593 S *	5/2001	Gudefin	D7/309
D457,375 S *	5/2002	Picozza et al.	D7/309
D489,217 S *	5/2004	Seum et al.	D7/309
D502,628 S *	3/2005	Ledingham et al.	D7/309
D510,675 S *	10/2005	Ball	D7/306
D514,865 S *	2/2006	Steiner	D7/309

D515,348 S *	2/2006	McWilliam	D7/309
D524,588 S *	7/2006	Copland	D7/309
D527,567 S *	9/2006	Nakato et al.	D7/306
D530,969 S *	10/2006	Lin	D7/309
7,146,904 B2 *	12/2006	Scribner	99/300

* cited by examiner

Primary Examiner—M. N. Pandozzi

(74) *Attorney, Agent, or Firm*—Lawrence Cruz; Steven A. Garner

(57) **CLAIM**

The ornamental design for a coffee maker, as shown and described.

DESCRIPTION

FIG. 1 is a perspective view of a coffee maker showing our new design;

FIG. 2 is a left side view thereof;

FIG. 3 is a front view thereof;

FIG. 4 is a top view thereof;

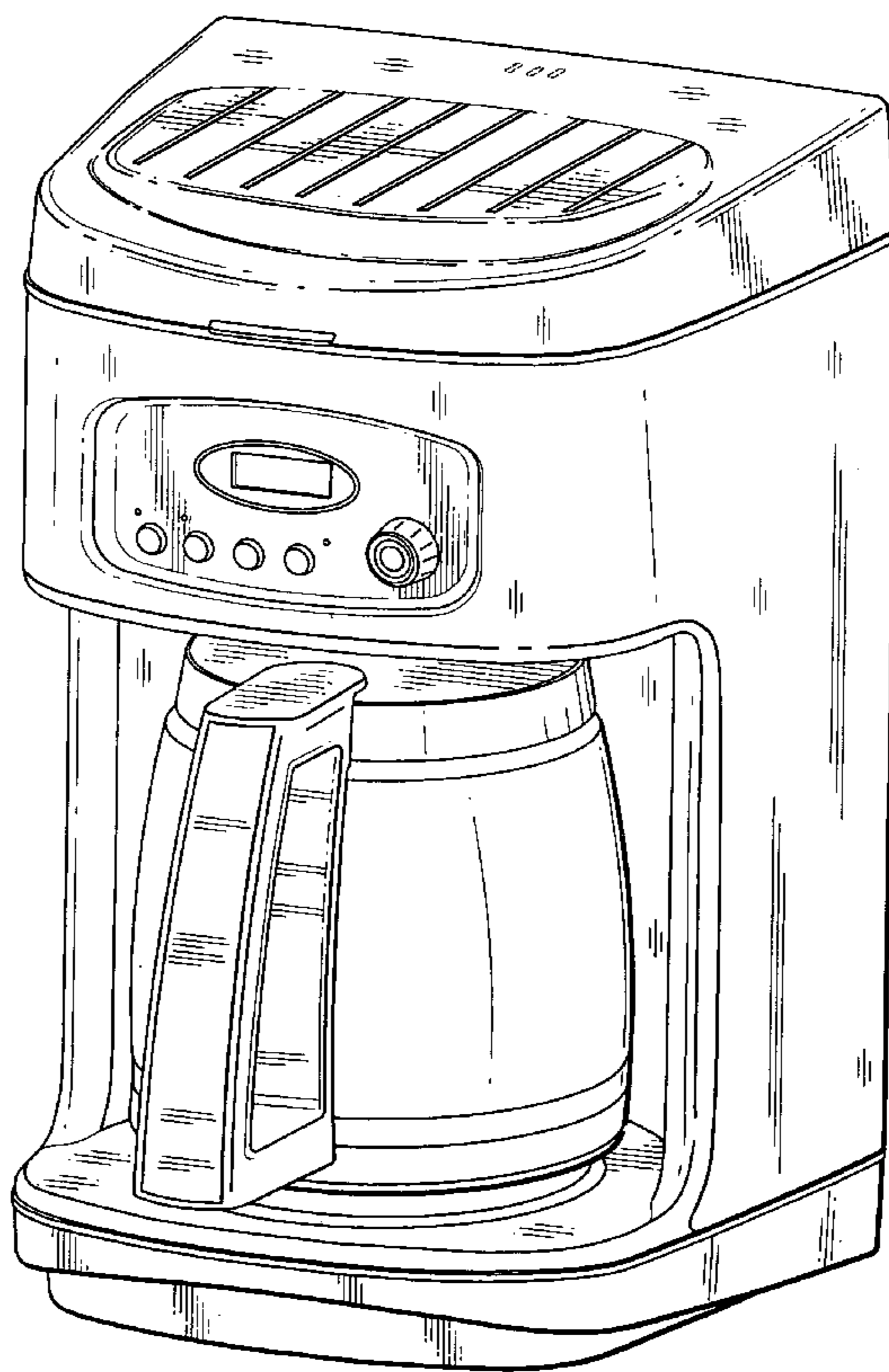
FIG. 5 is a rear view thereof;

FIG. 6 is a right side view thereof; and,

FIG. 7 is a bottom view.

The broken lines are shown for illustrative purposes only and form no part of the claimed design.

1 Claim, 7 Drawing Sheets



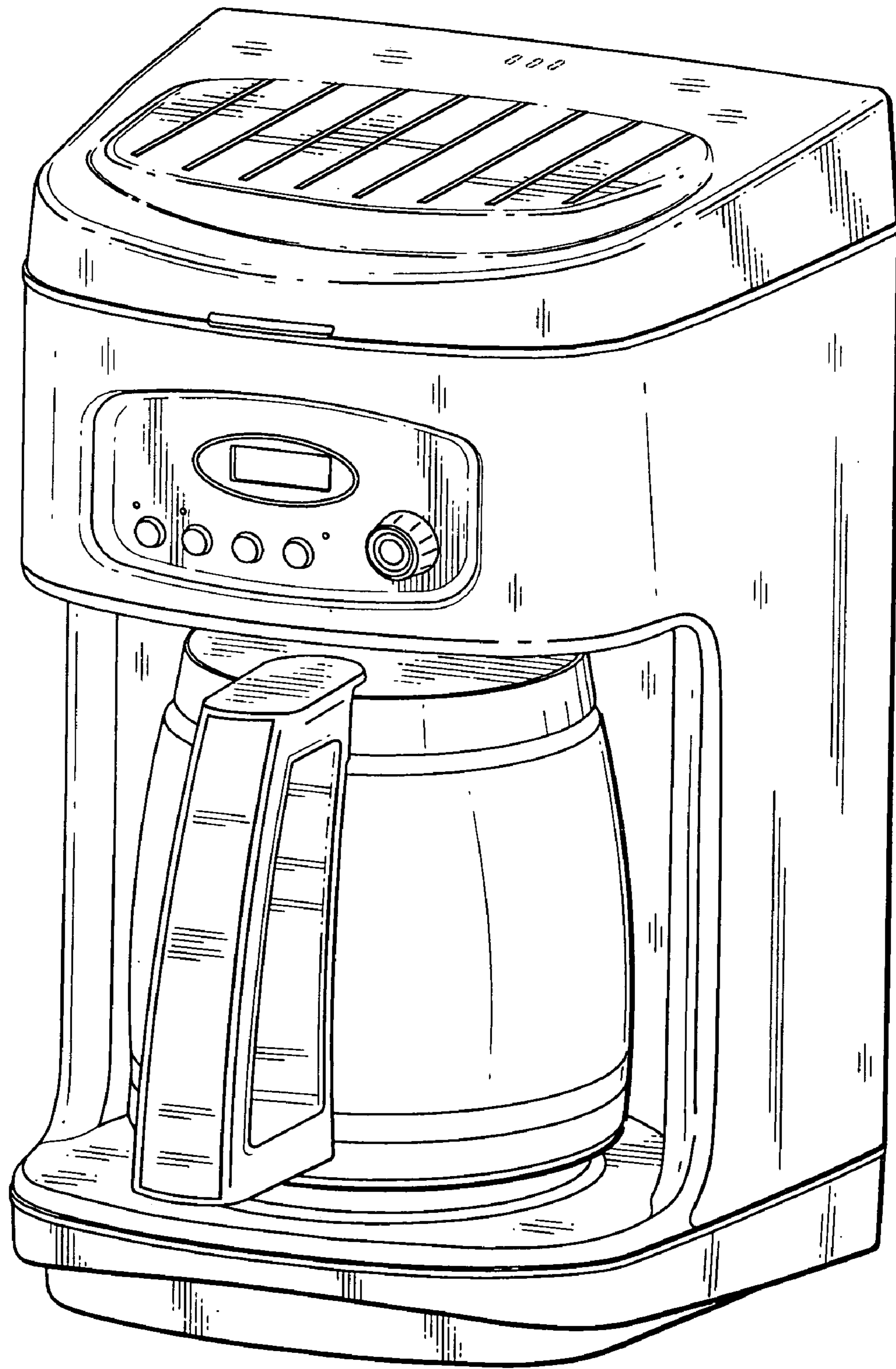


FIG. 1

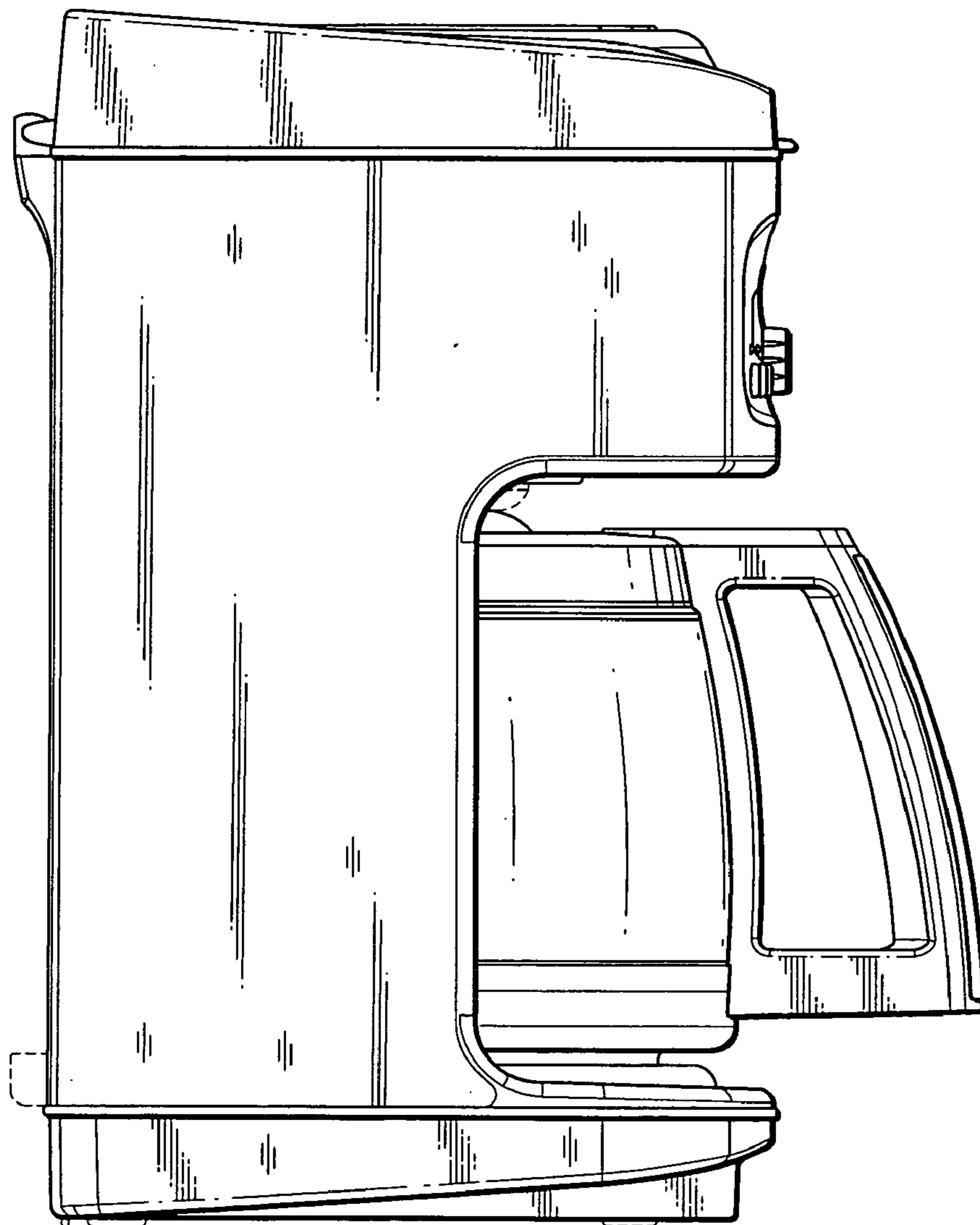


FIG. 2

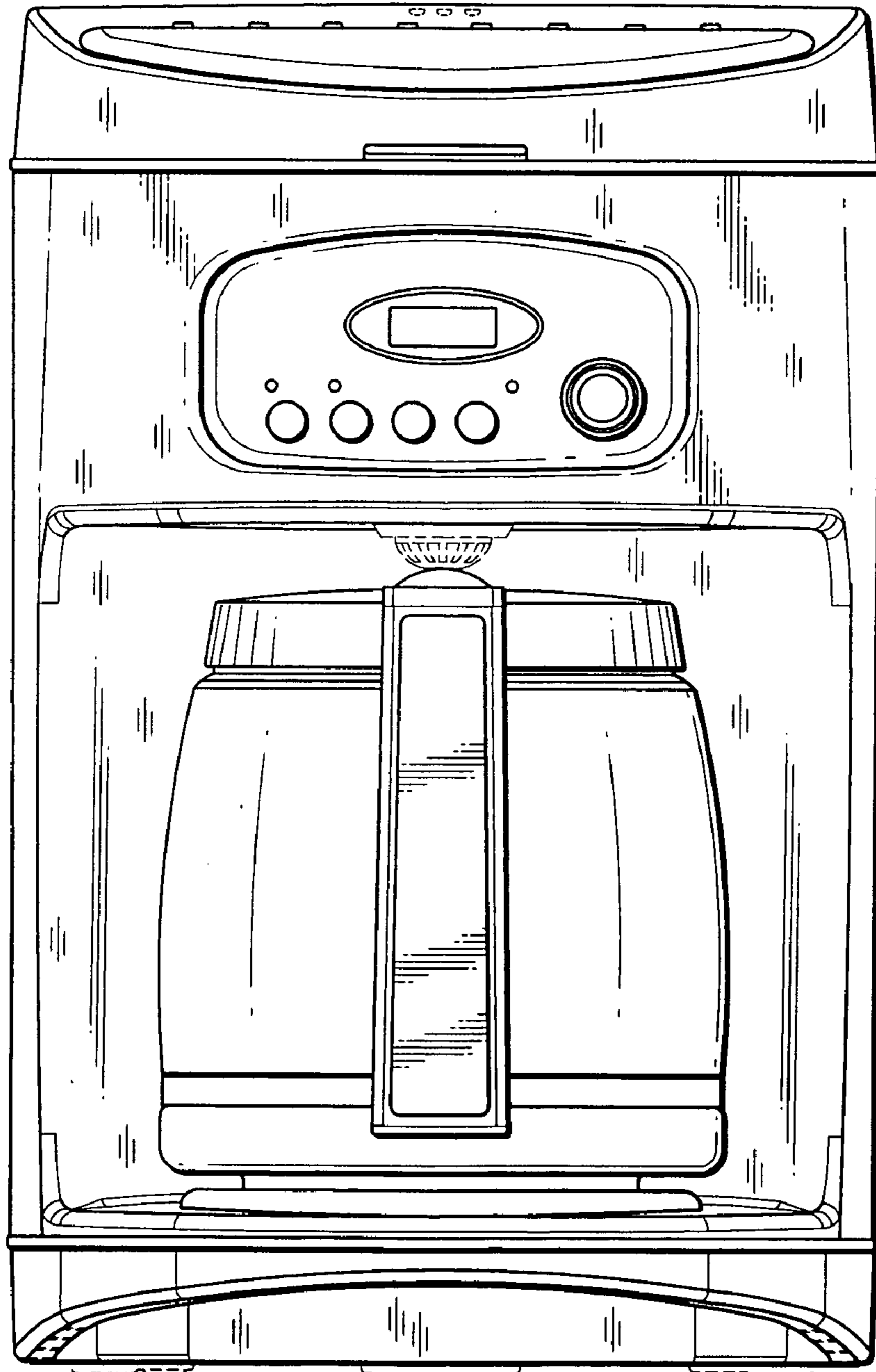


FIG. 3

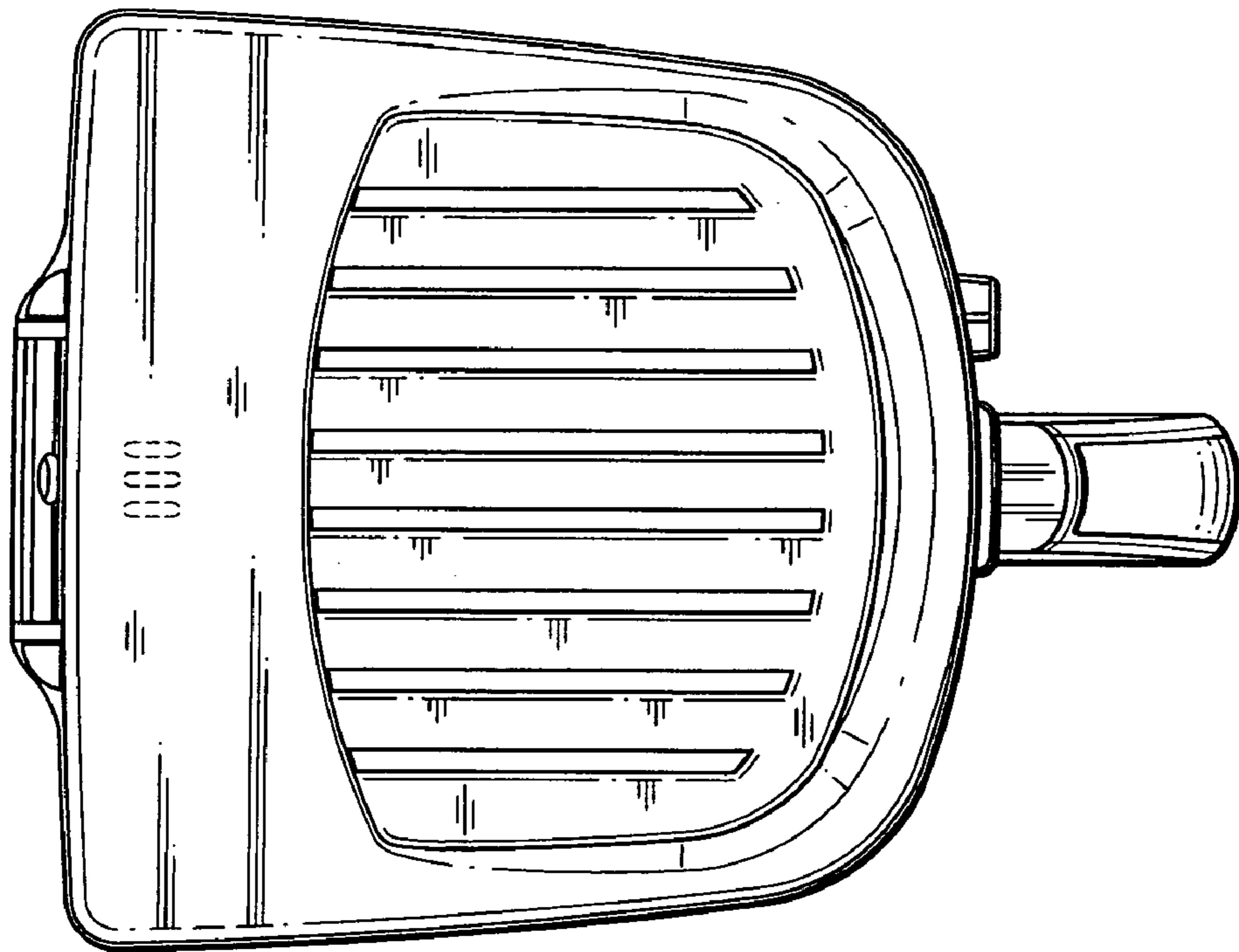


FIG. 4

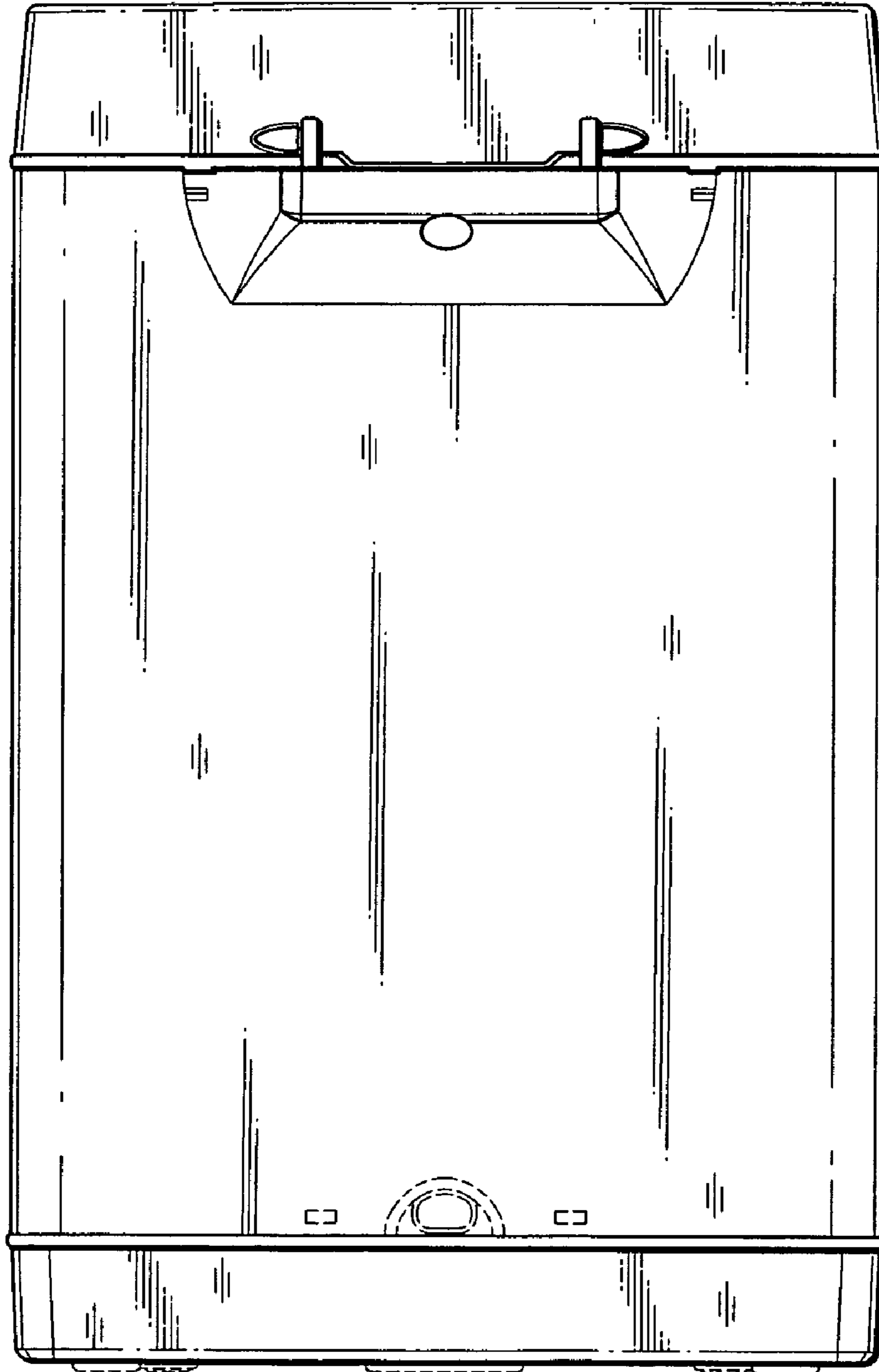


FIG. 5

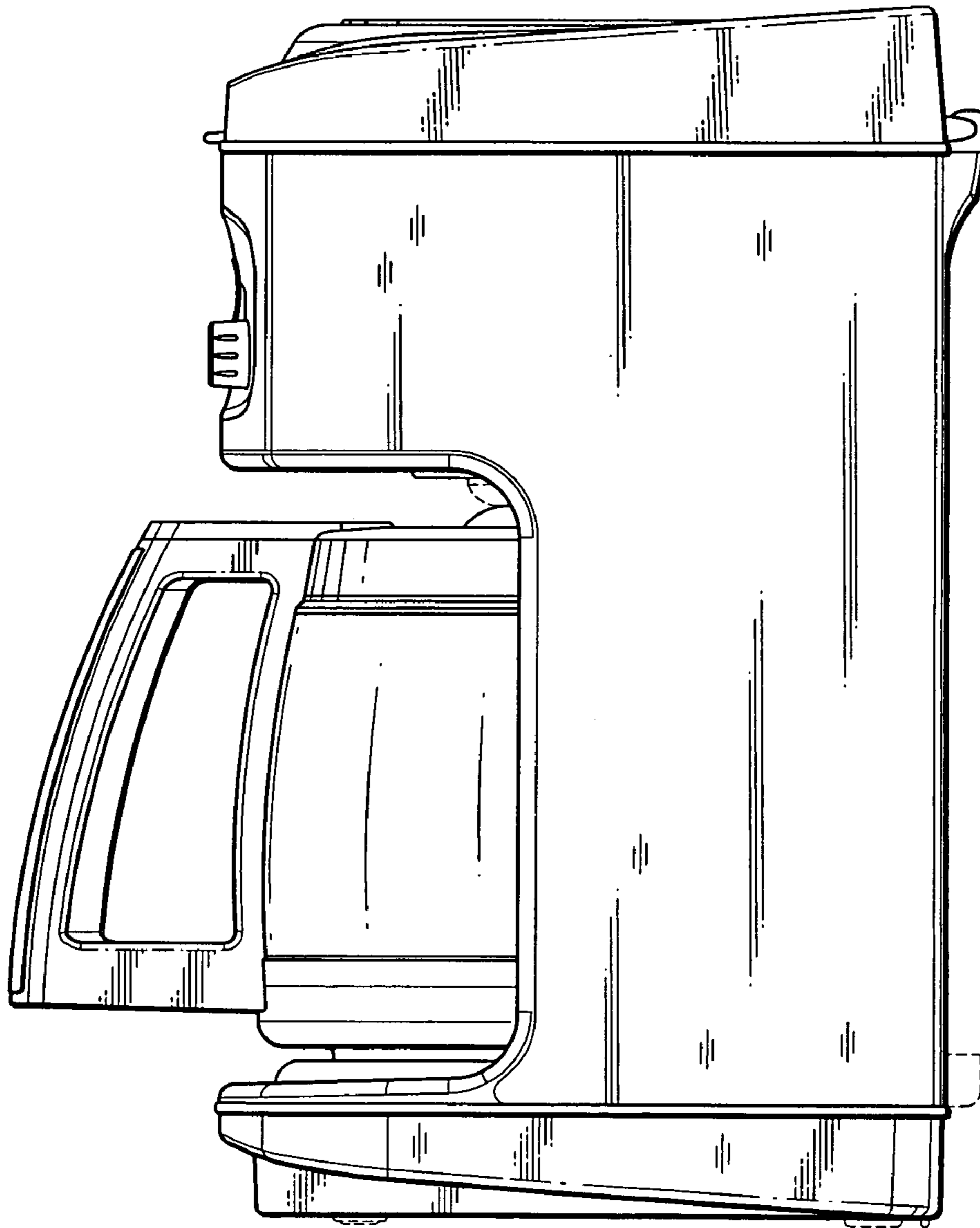


FIG. 6

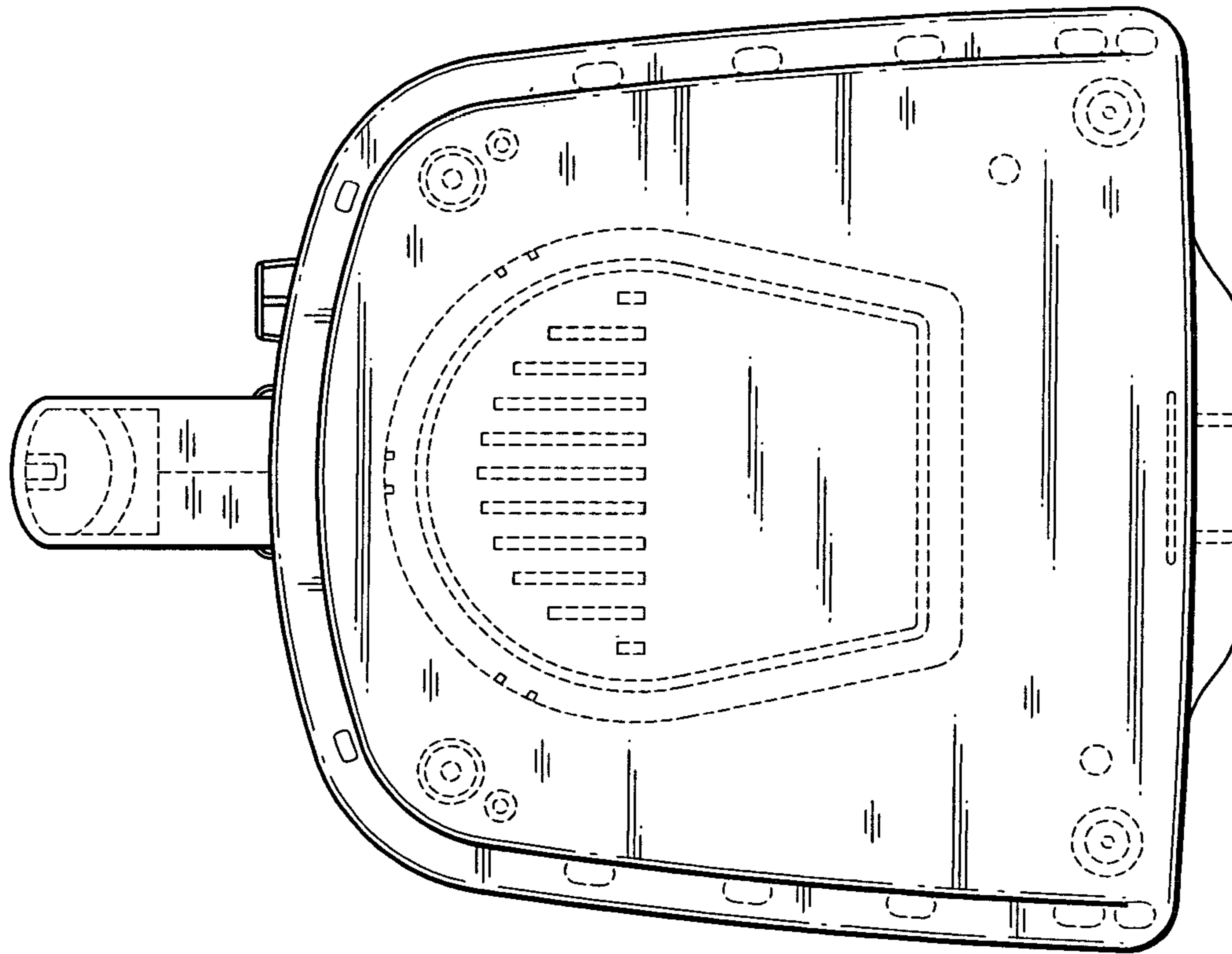


FIG. 7