

US00D543766S

(12) **United States Design Patent**
Goto

(10) **Patent No.:** **US D543,766 S**
(45) **Date of Patent:** **** Jun. 5, 2007**

(54) **CASE FOR DISC CARTRIDGE**

(75) Inventor: **Teiyu Goto**, Tokyo (JP)

(73) Assignee: **Sony Computer Entertainment Inc.**,
Tokyo (JP)

(**) Term: **14 Years**

(21) Appl. No.: **29/213,850**

(22) Filed: **Sep. 24, 2004**

(30) **Foreign Application Priority Data**

May 10, 2004 (JP) D2004-013743

(51) **LOC (8) Cl.** **06-04**

(52) **U.S. Cl.** **D6/634**

(58) **Field of Classification Search** D6/407,
D6/629, 630, 631, 632, 633, 634; 206/307,
206/307.1, 308.1, 309-313, 209; 211/40,
211/41.1, 41.12, 126.1; D9/415, 420, 423,
D9/432; 40/721; D19/75

See application file for complete search history.

(56) **References Cited**

U.S. PATENT DOCUMENTS

D271,726 S	*	12/1983	Drake	D6/631
D324,337 S	*	3/1992	Brady	D6/634
5,290,118 A	*	3/1994	Ozeki	402/79
D378,333 S	*	3/1997	Anderson	D6/632
D411,071 S	*	6/1999	Cerda-Vicedo	D6/632
D433,461 S	*	11/2000	Goto	D21/330
6,206,185 B1	*	3/2001	Ke et al.	206/308.1
D451,747 S	*	12/2001	Tang	D6/632
D452,105 S	*	12/2001	Chan	D6/635
D455,312 S	*	4/2002	Myszka et al.	D6/629
D455,595 S	*	4/2002	Ikeda et al.	D6/632

(Continued)

Primary Examiner—Ian Simmons

Assistant Examiner—Charles Hanson

(74) *Attorney, Agent, or Firm*—Rader, Fishman & Grauer
PLLC

(57) **CLAIM**

The ornamental design for a case for disc cartridge, as shown and described.

DESCRIPTION

FIG. 1 is a front elevational view of a case for disc cartridge showing my new design;

FIG. 2 is a rear elevational view thereof;

FIG. 3 is a left side elevational view thereof;

FIG. 4 is a right side elevational view thereof;

FIG. 5 is a top plan view thereof;

FIG. 6 is a bottom plan view thereof.

FIG. 7 is a reference front elevation view thereof;

FIG. 8 is a cross-section view thereof taken along the line VIII-VIII in FIG. 7;

FIG. 9 is cross-section view thereof taken along the line IX-IX in FIG. 7;

FIG. 10 is a front elevation view thereof of an enlarged portion taken along lines XV-XV and V'-XV' in FIG. 7;

FIG. 11 is cross-section view thereof shown in an enlarged scale taken along lines XI- XI and XI'-XI' in FIG. 8;

FIG. 12 is a cross-section view thereof shown in an enlarged scale taken along lines XII-XII and XII'-XII' in FIG. 9;

FIG. 13 is a cross-section view thereof shown in an enlarged scale taken along line XIII-XIII in FIG. 10;

FIG. 14 is a cross-section view thereof shown in an enlarged scale taken along line XIV-XIV in FIG. 10;

FIG. 15 is a reference front elevation view thereof shown in an enlarged scale taken along lines XV—XV and XV'-XV' in FIG. 7;

FIG. 16 is cross-section view thereof taken along line XVI—XVI'—XVI''-XVI''' in FIG. 15;

FIG. 17 is a front elevation view thereof in a closed position;

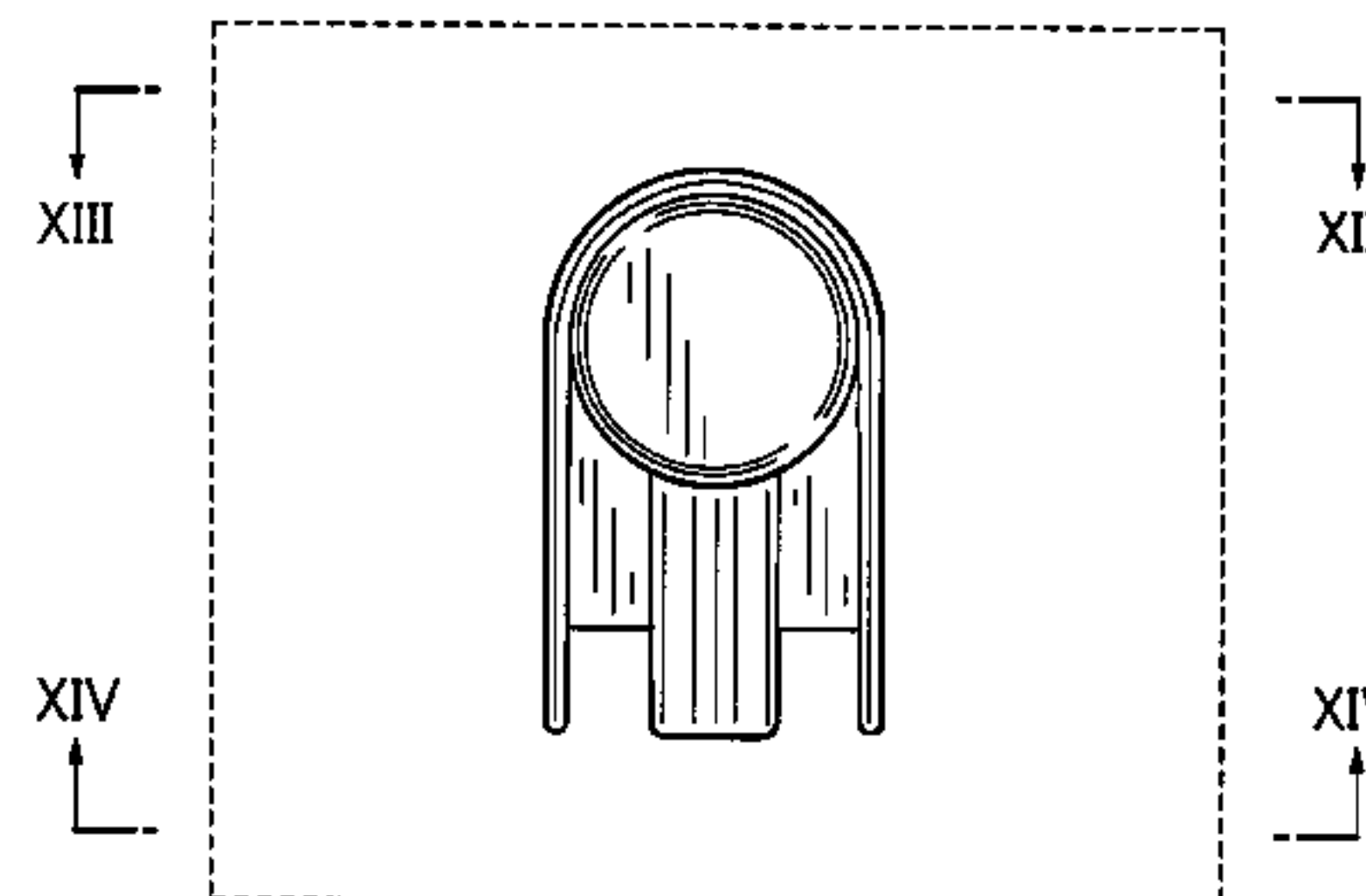
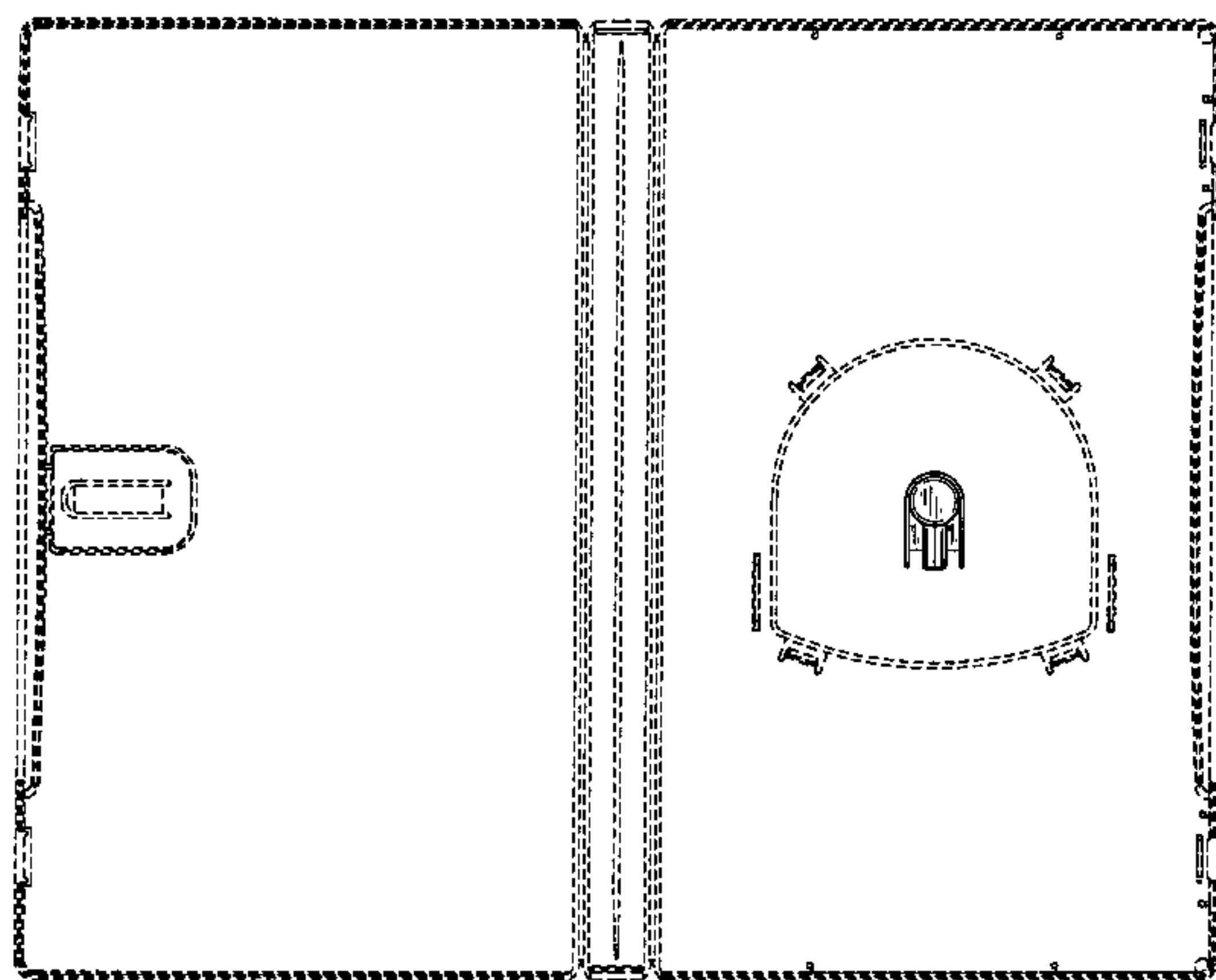
FIG. 18 is a right side elevation view thereof in a closed position;

FIG. 19 is a top plan view thereof in a closed position; and,

FIG. 20 is an enlarged cross-section view thereof taken along line XX-XX in FIG. 17.

Portions of the drawings shown in broken lines are to show environment and form no part of the claimed design.

1 Claim, 11 Drawing Sheets



US D543,766 S

Page 2

U.S. PATENT DOCUMENTS

D470,707 S	*	2/2003	Lopez Mas	D6/634	D517,363 S	*	3/2006	Goto	D6/629
D474,935 S	*	5/2003	Goto	D6/631	D518,674 S	*	4/2006	Goto	D6/629
D495,551 S	*	9/2004	Goto	D6/631	D522,302 S	*	6/2006	Goto	D6/629
D501,209 S	*	1/2005	Goto	D14/478	2005/0092628 A1	*	5/2005	Chang	206/308.1
D501,482 S	*	2/2005	Goto	D14/478						

* cited by examiner

FIG. 1

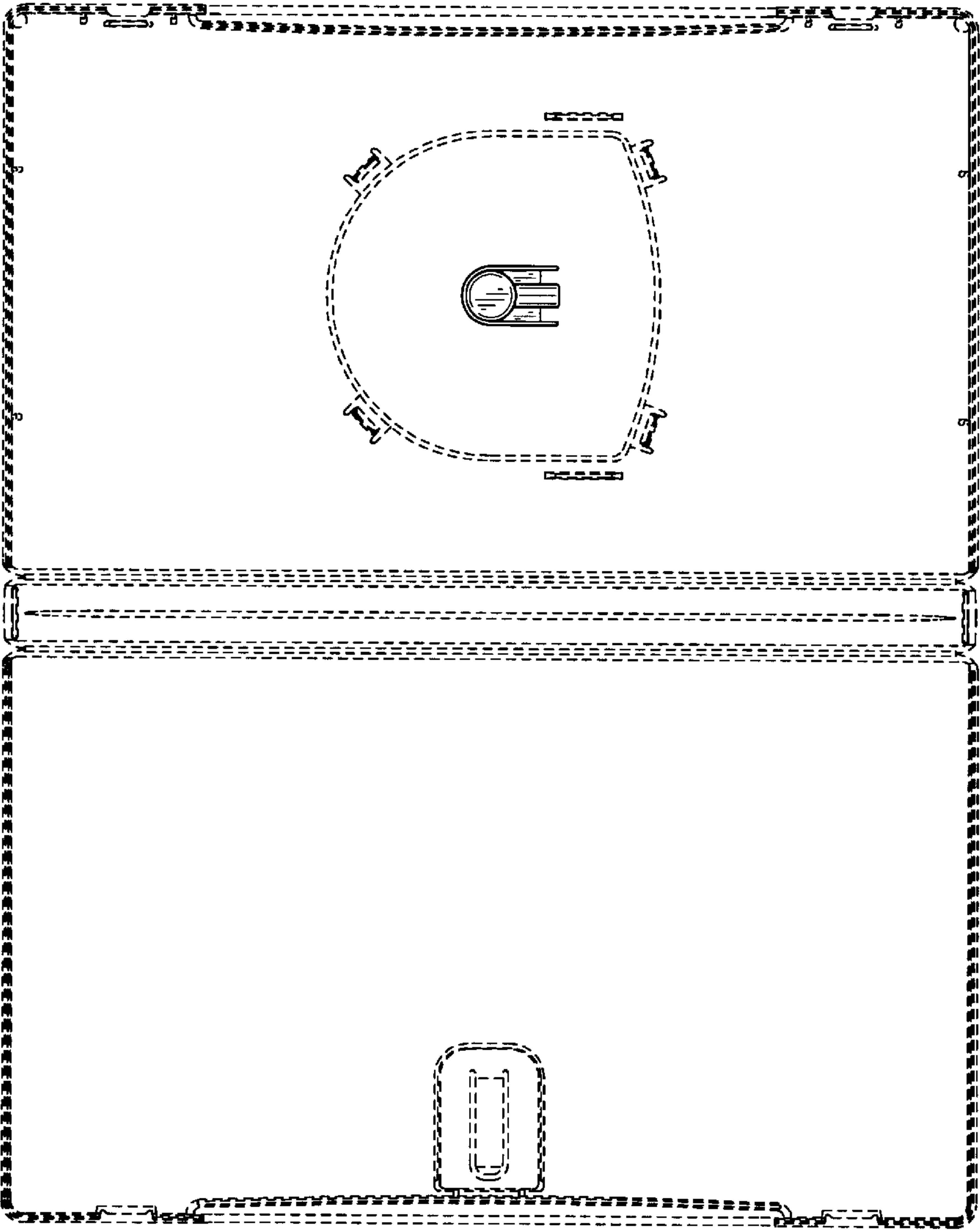


FIG.2

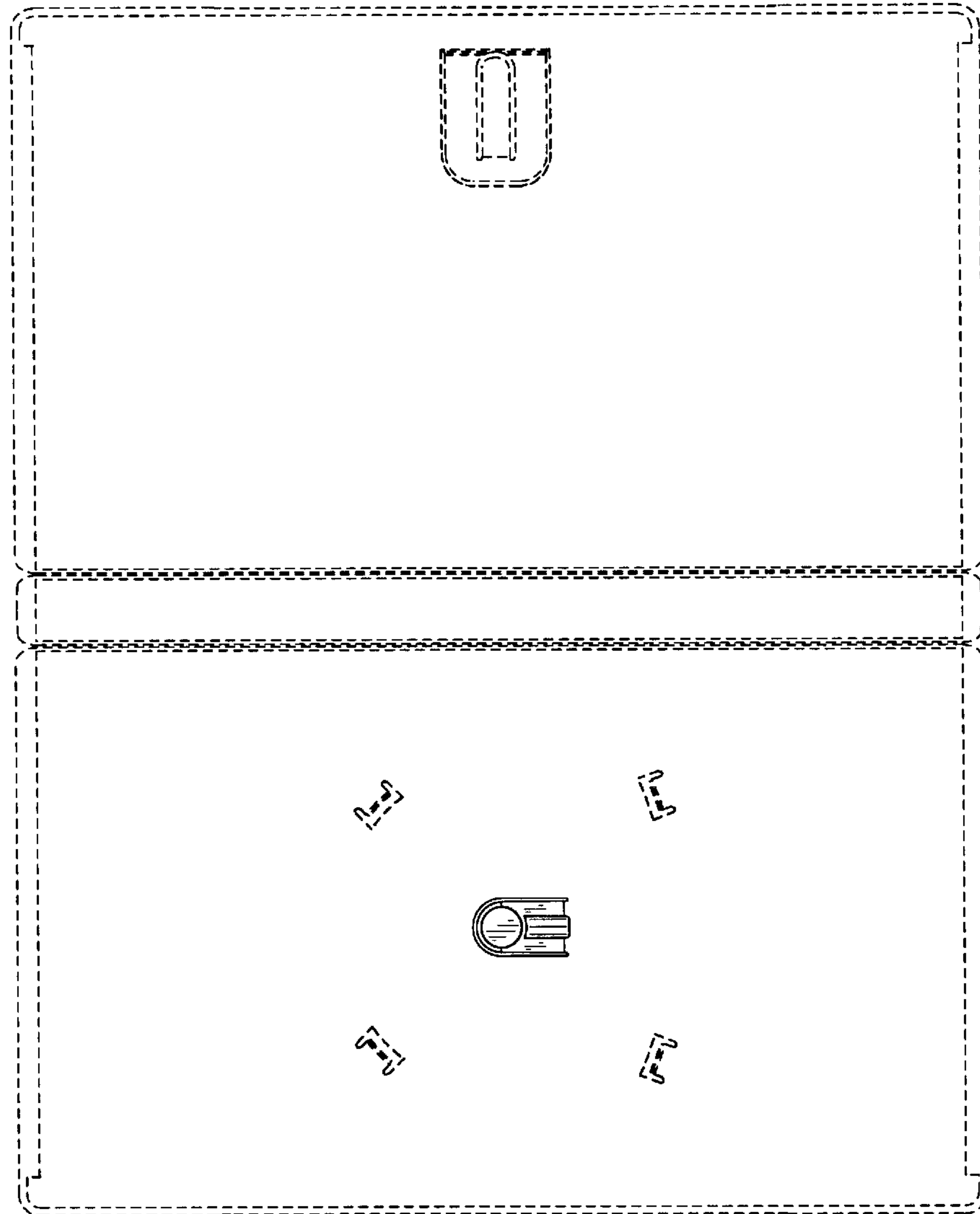


FIG.3

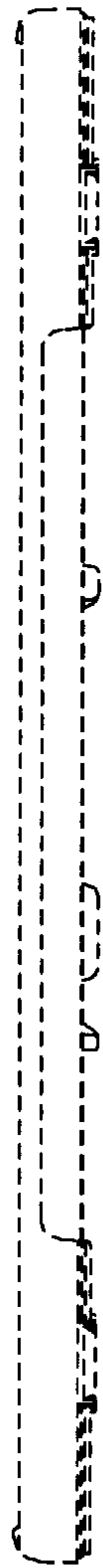


FIG.4



FIG. 5



FIG. 6



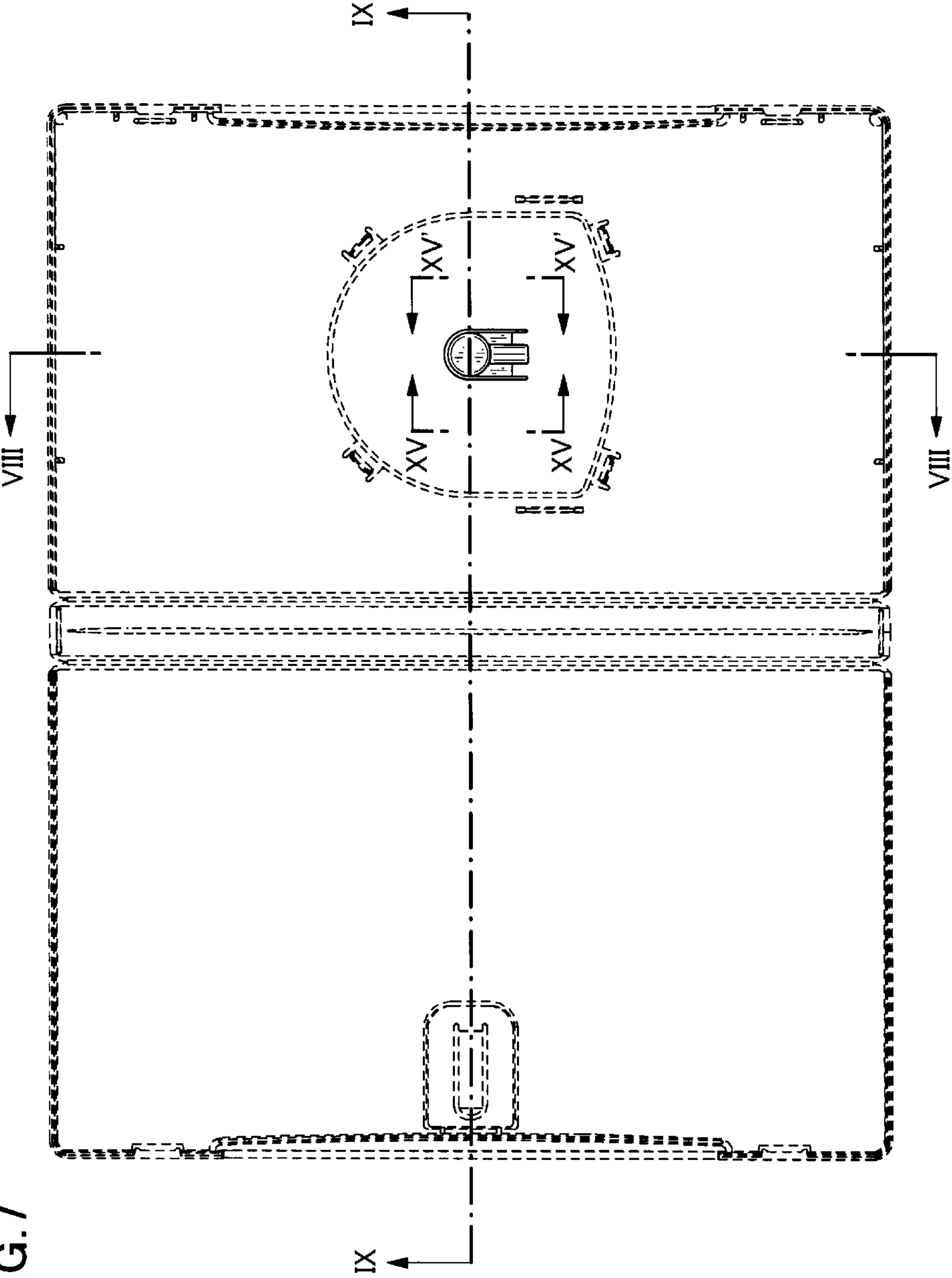


FIG. 7

FIG. 8

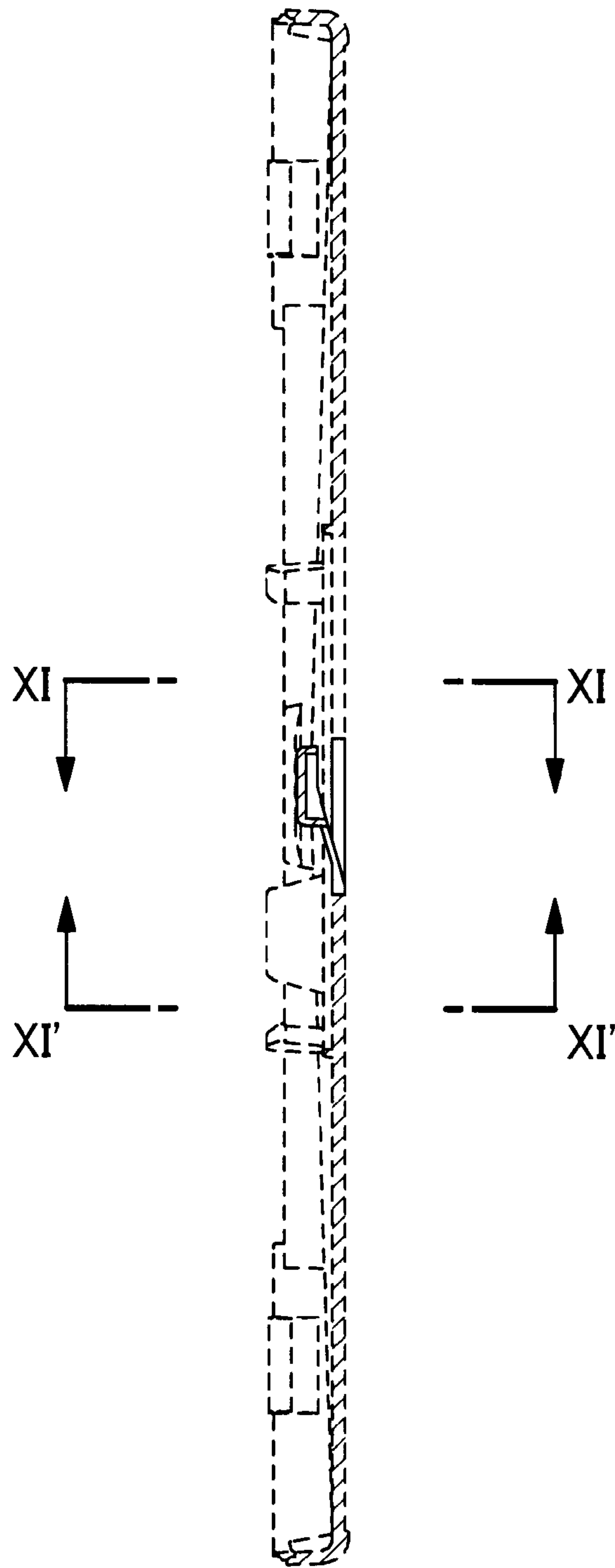


FIG. 9

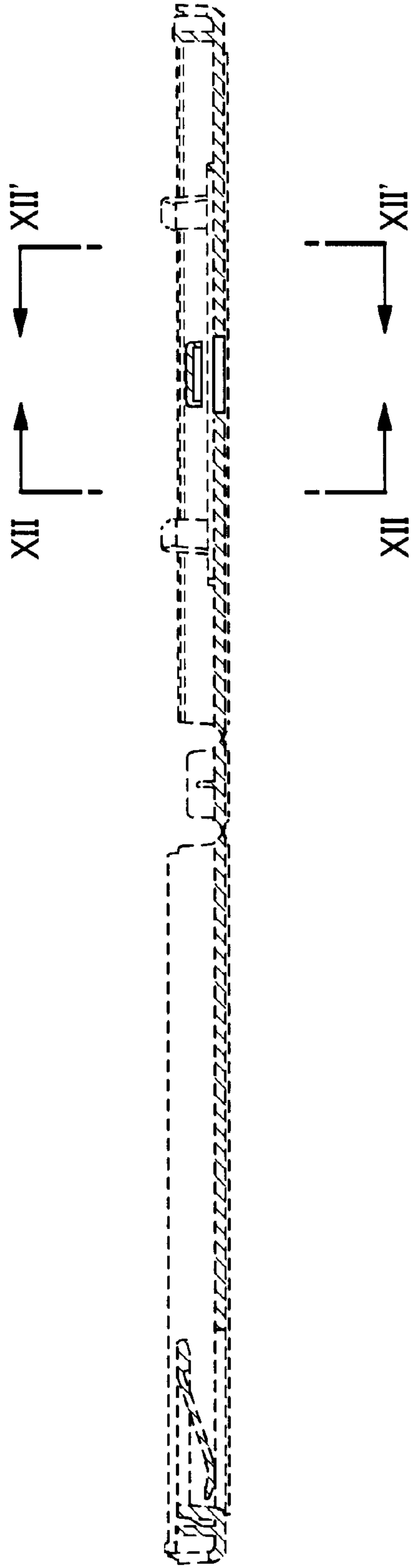


FIG.10

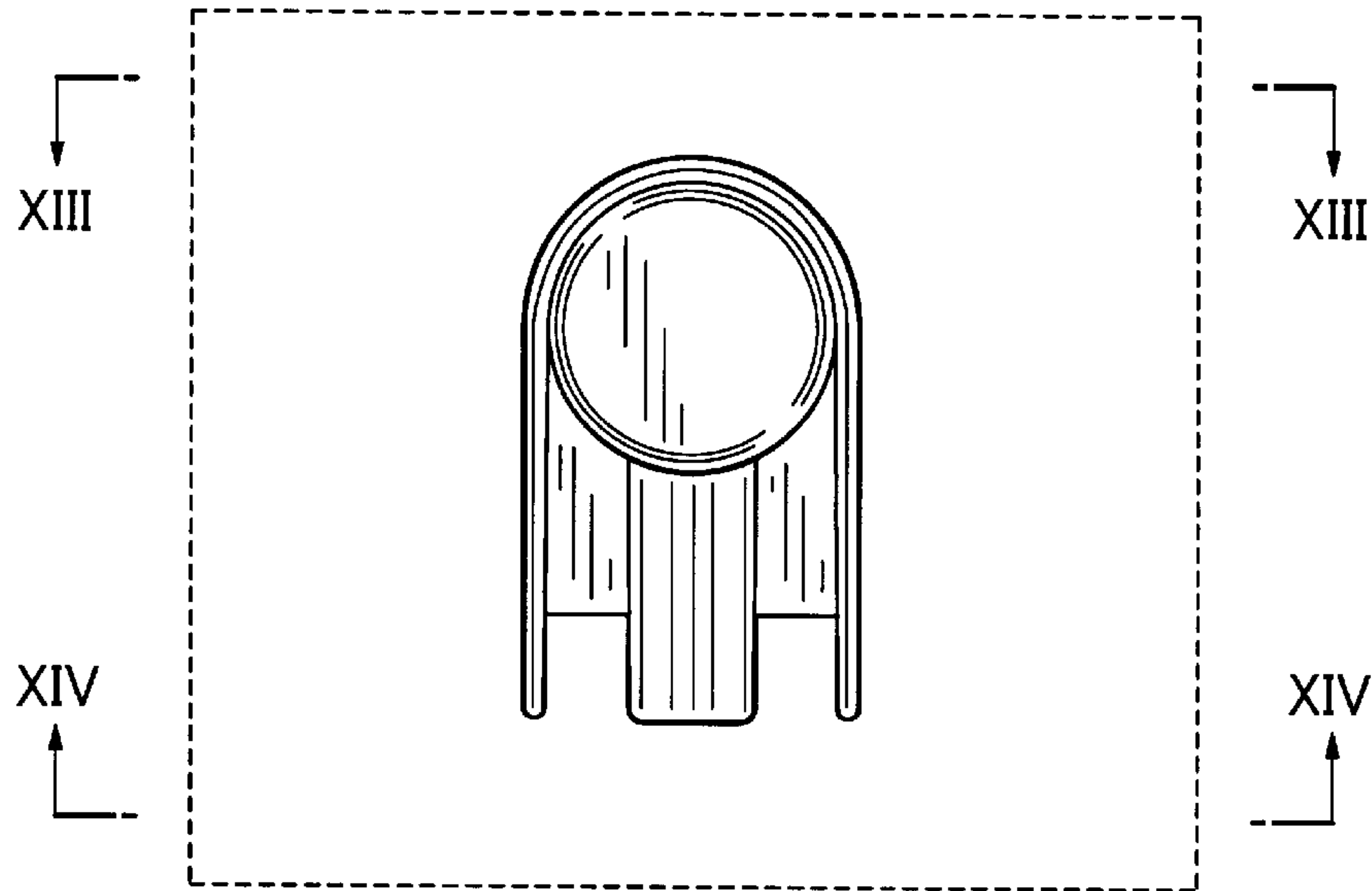


FIG.11

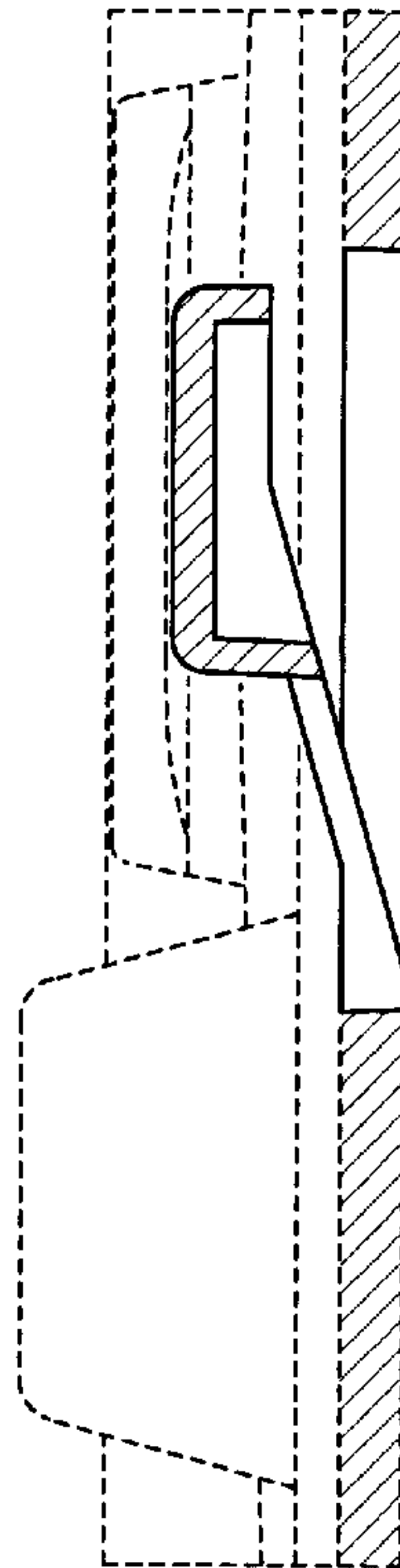


FIG. 12

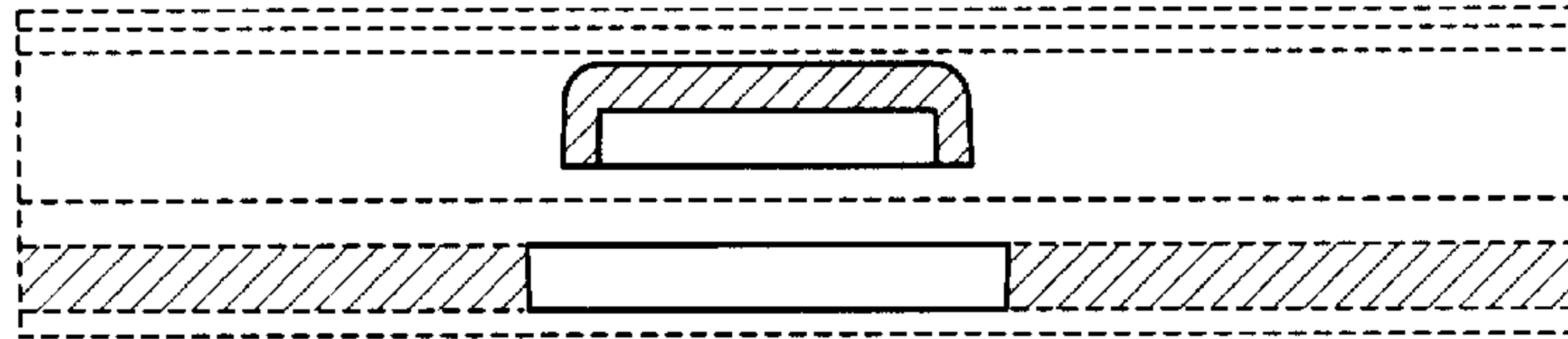


FIG. 13

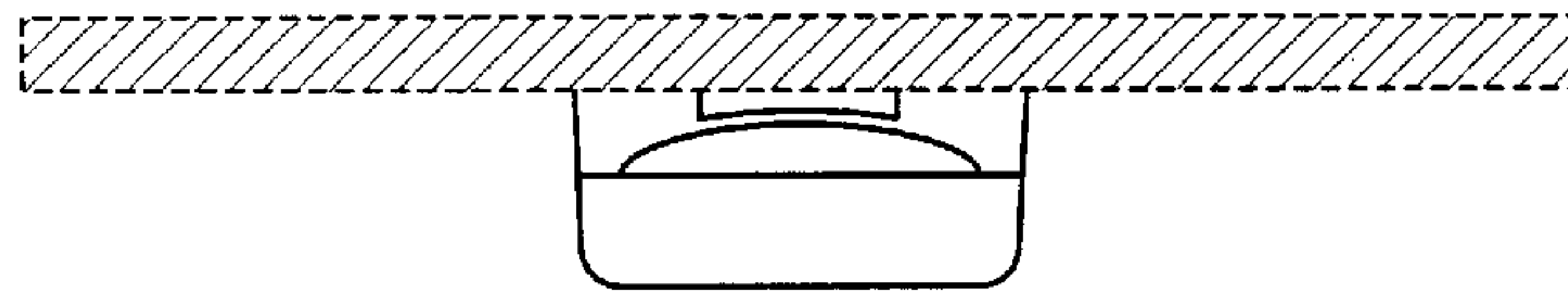


FIG. 14

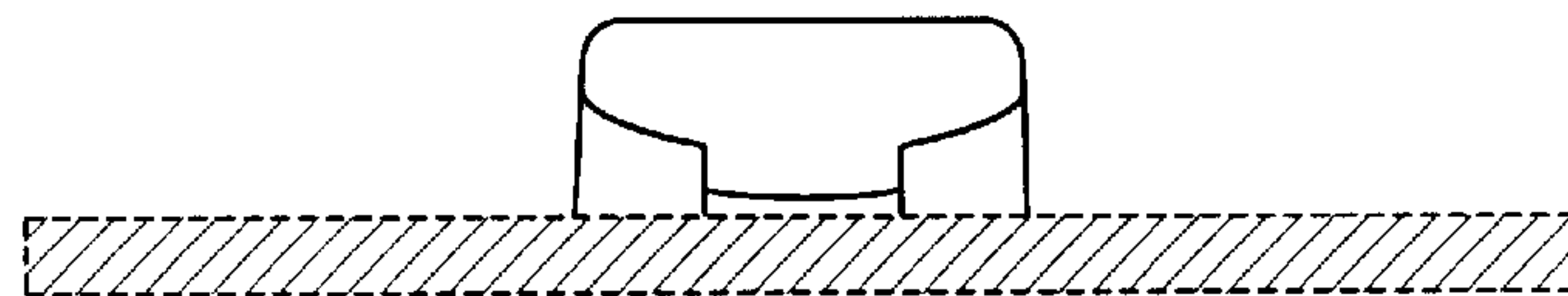


FIG. 15

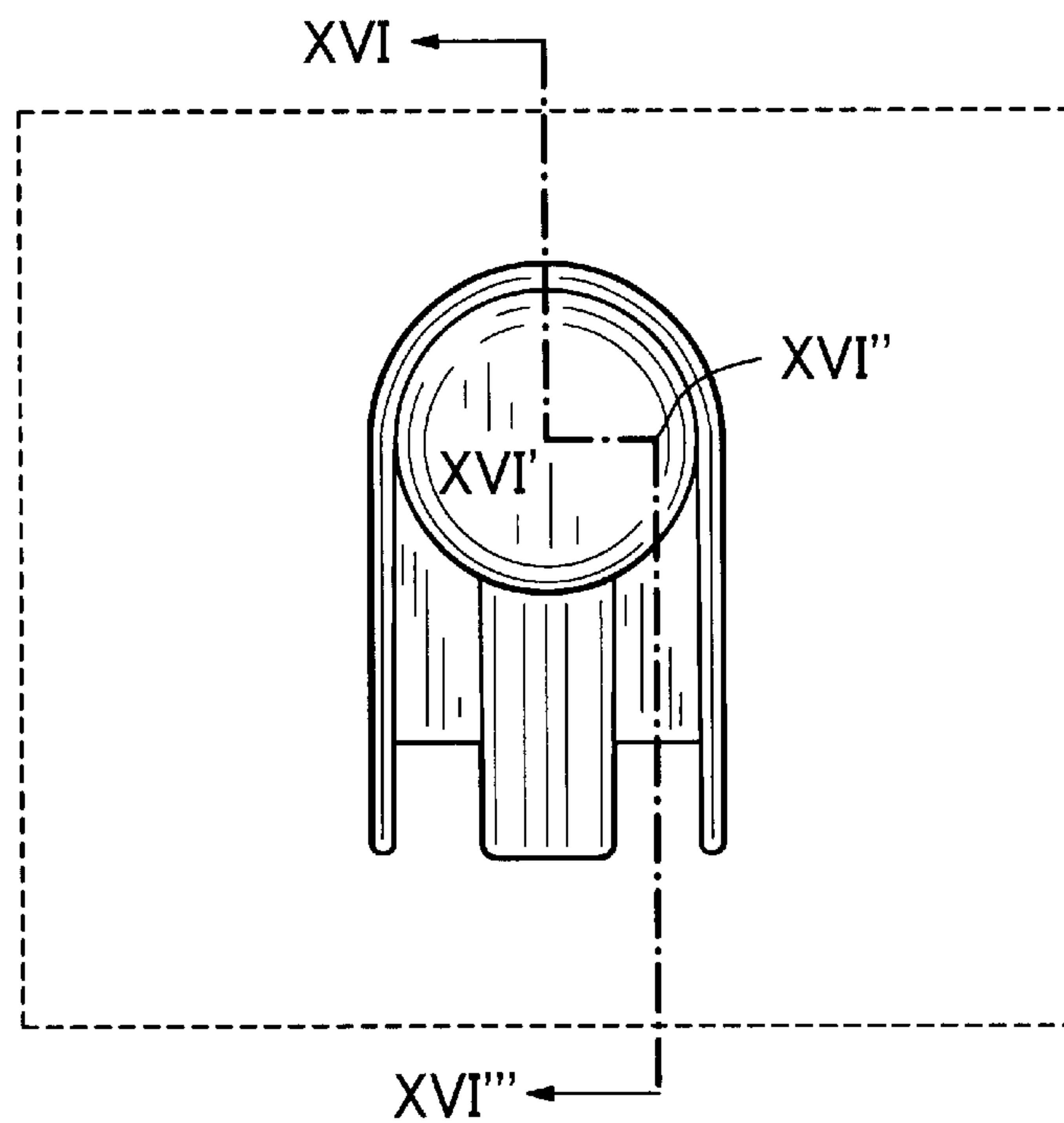


FIG. 16

XVI', XVI''

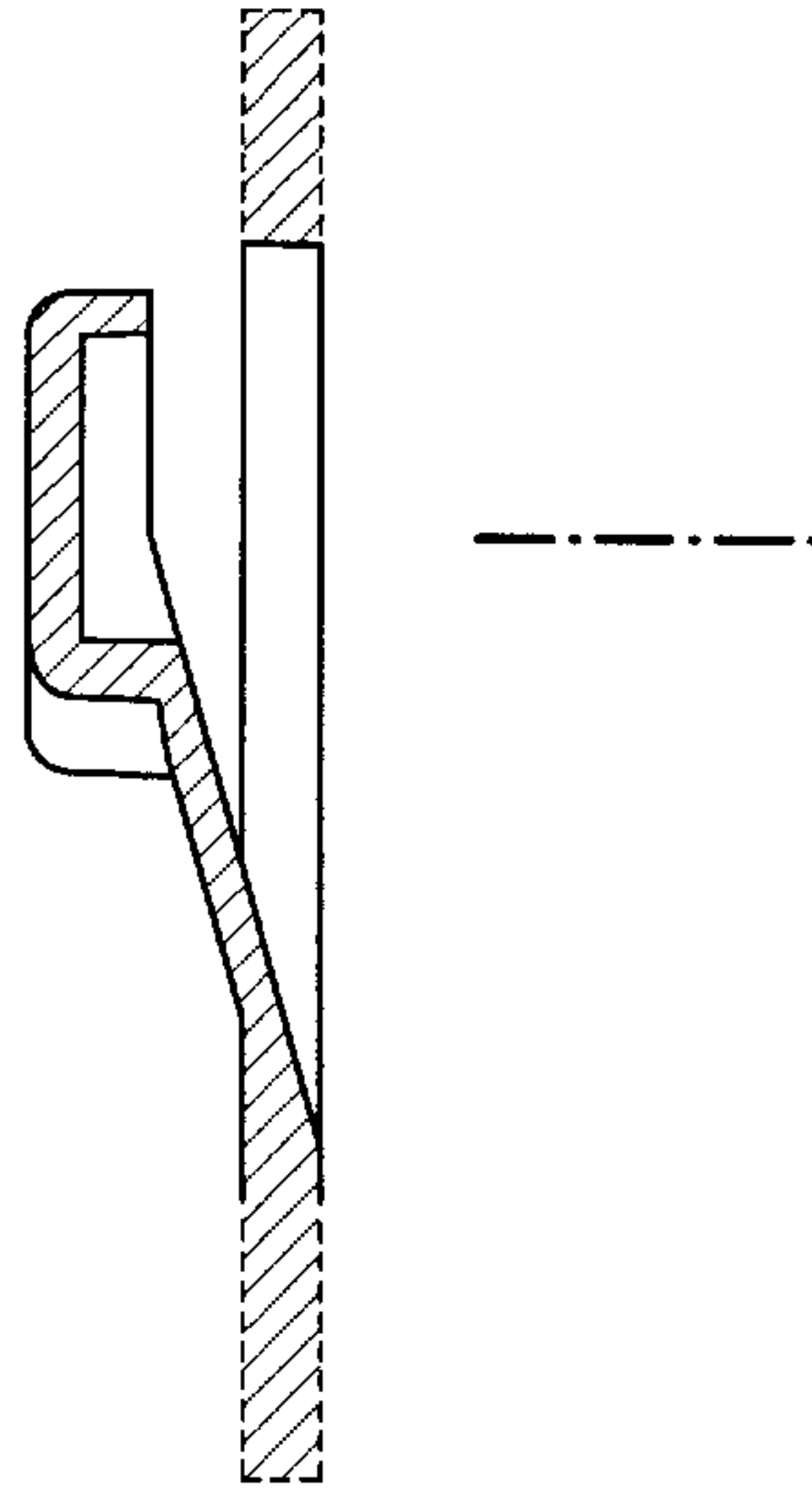


FIG. 17

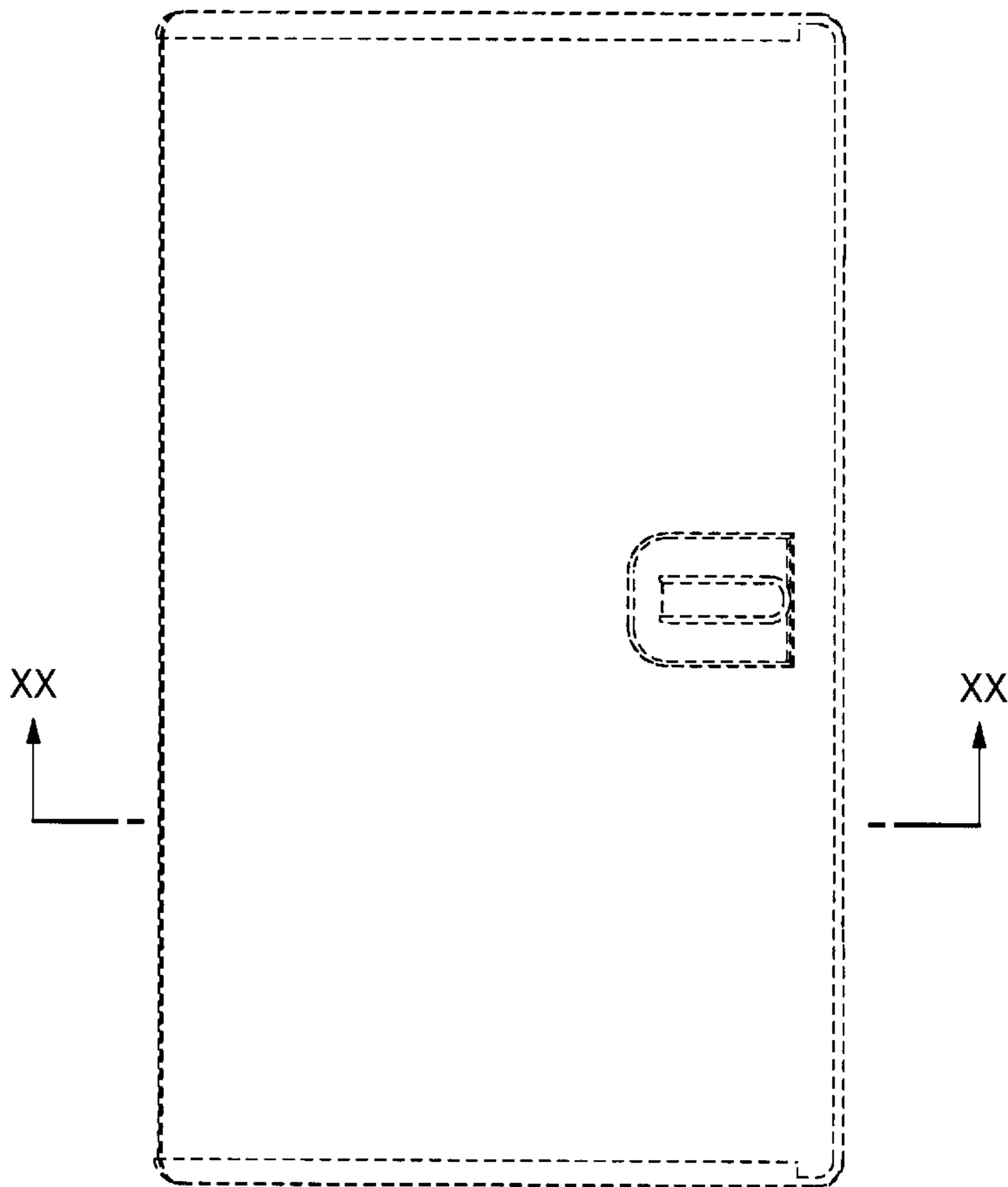


FIG. 18

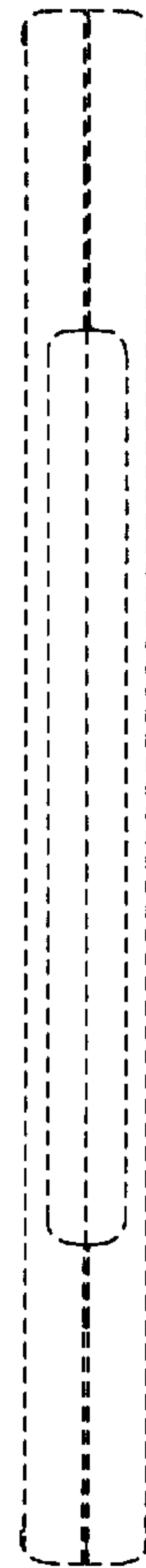


FIG. 19

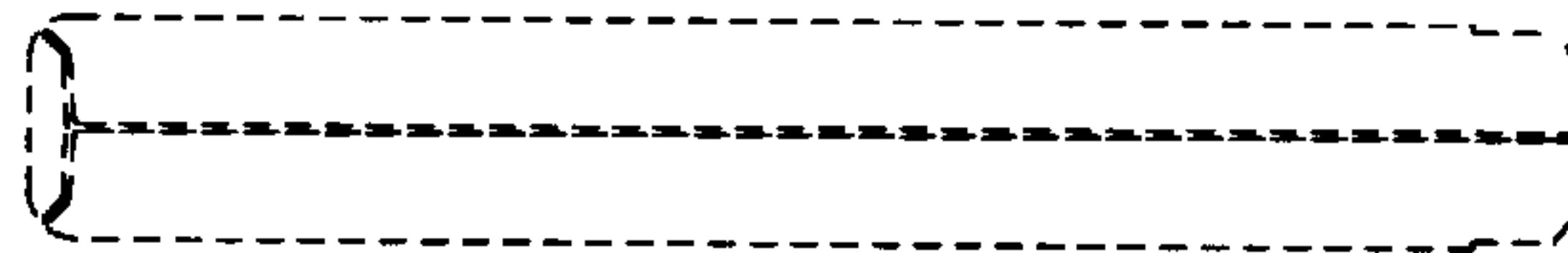


FIG. 20

