

US00D543765S

(12) **United States Design Patent**
Allen

(10) **Patent No.:** **US D543,765 S**

(45) **Date of Patent:** **** Jun. 5, 2007**

(54) **ANTI-FATIGUE MAT**

(76) Inventor: **Randy B. Allen**, 3421 Rusk St.,
Houston, TX (US) 77003

(**) Term: **14 Years**

(21) Appl. No.: **29/262,352**

(22) Filed: **Jun. 30, 2006**

(51) **LOC (8) Cl.** **06-11**

(52) **U.S. Cl.** **D6/582**

(58) **Field of Classification Search** D6/582-594;
D5/41, 37; D12/203, 579; D30/158; 119/498;
156/73.1; 428/45, 172, 192; 442/32; 482/23
See application file for complete search history.

(56) **References Cited**

U.S. PATENT DOCUMENTS

4,710,415	A *	12/1987	Slosberg et al.	428/48
5,021,277	A *	6/1991	Fan	428/76
5,645,014	A *	7/1997	Chilcote	119/498
D387,512	S *	12/1997	Bergman et al.	D30/158
5,938,873	A *	8/1999	Bailey et al.	156/73.1
6,420,015	B1 *	7/2002	Nord et al.	428/172
6,589,631	B1 *	7/2003	Suzuki et al.	428/172
6,599,615	B2 *	7/2003	Burke et al.	428/192
6,663,537	B2 *	12/2003	McCoy	482/23
6,740,380	B2 *	5/2004	Kessler	428/45

6,794,316	B1 *	9/2004	Buscher et al.	442/32
6,851,141	B2 *	2/2005	McMahan	5/420
6,921,502	B1 *	7/2005	Nord et al.	264/46.4
D516,977	S *	3/2006	Keilhauer et al.	D12/203
D517,977	S *	3/2006	Robert	D12/579
7,063,887	B2 *	6/2006	Kobe et al.	428/317.9

* cited by examiner

Primary Examiner—T. Chase Nelson

Assistant Examiner—Barbara Blanton Lohr

(74) *Attorney, Agent, or Firm*—Egbert Law Offices

(57) **CLAIM**

I claim the ornamental design for an anti-fatigue mat, as shown and described.

DESCRIPTION

FIG. 1 is a front perspective view of the anti-fatigue mat showing my design.

FIG. 2 is a front view thereof;

FIG. 3 is a back thereof;

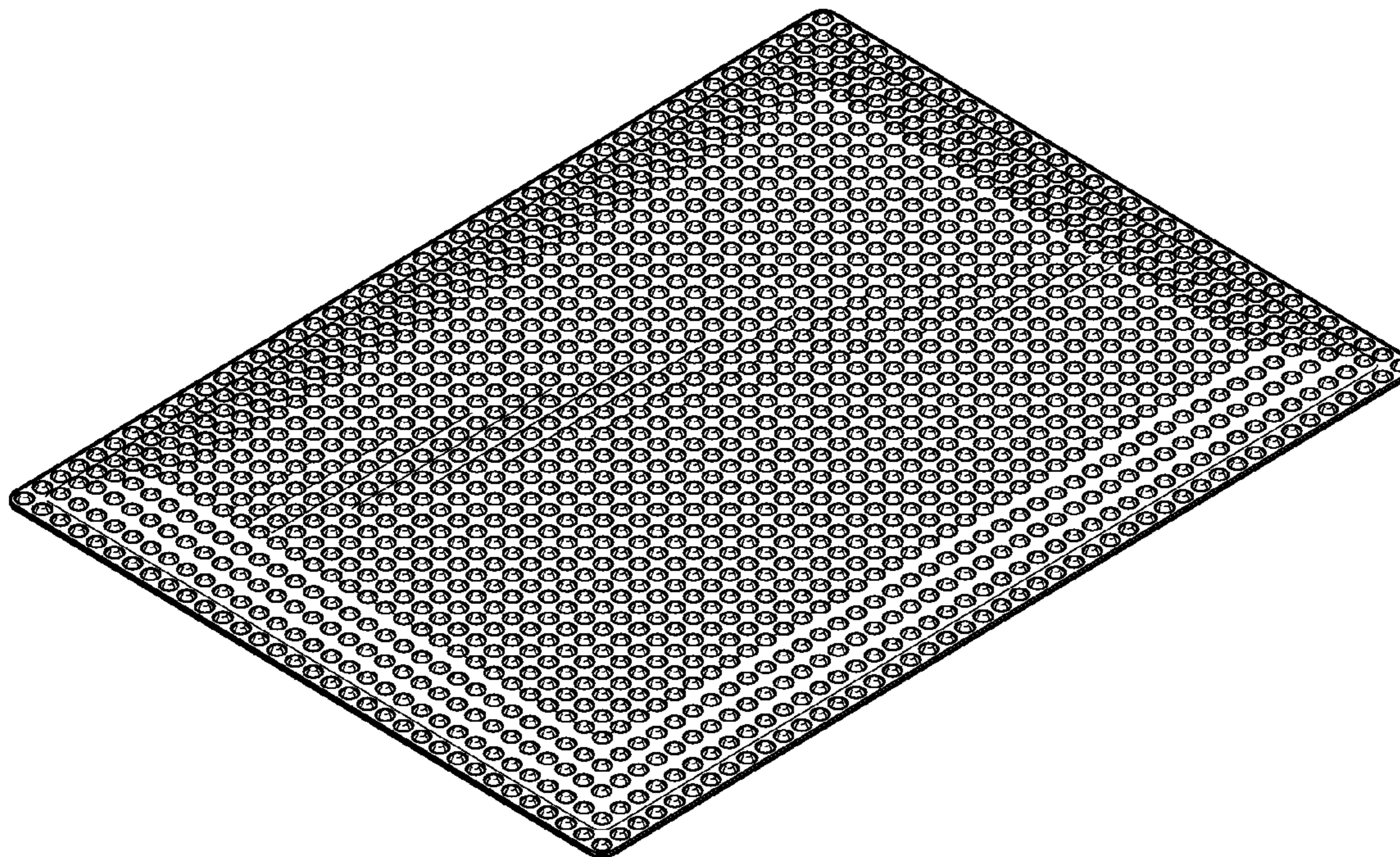
FIG. 4 is a side view thereof;

FIG. 5 is an opposite side view thereof;

FIG. 6 is a top plan view thereof; and,

FIG. 7 is a bottom plan view thereof.

1 Claim, 2 Drawing Sheets



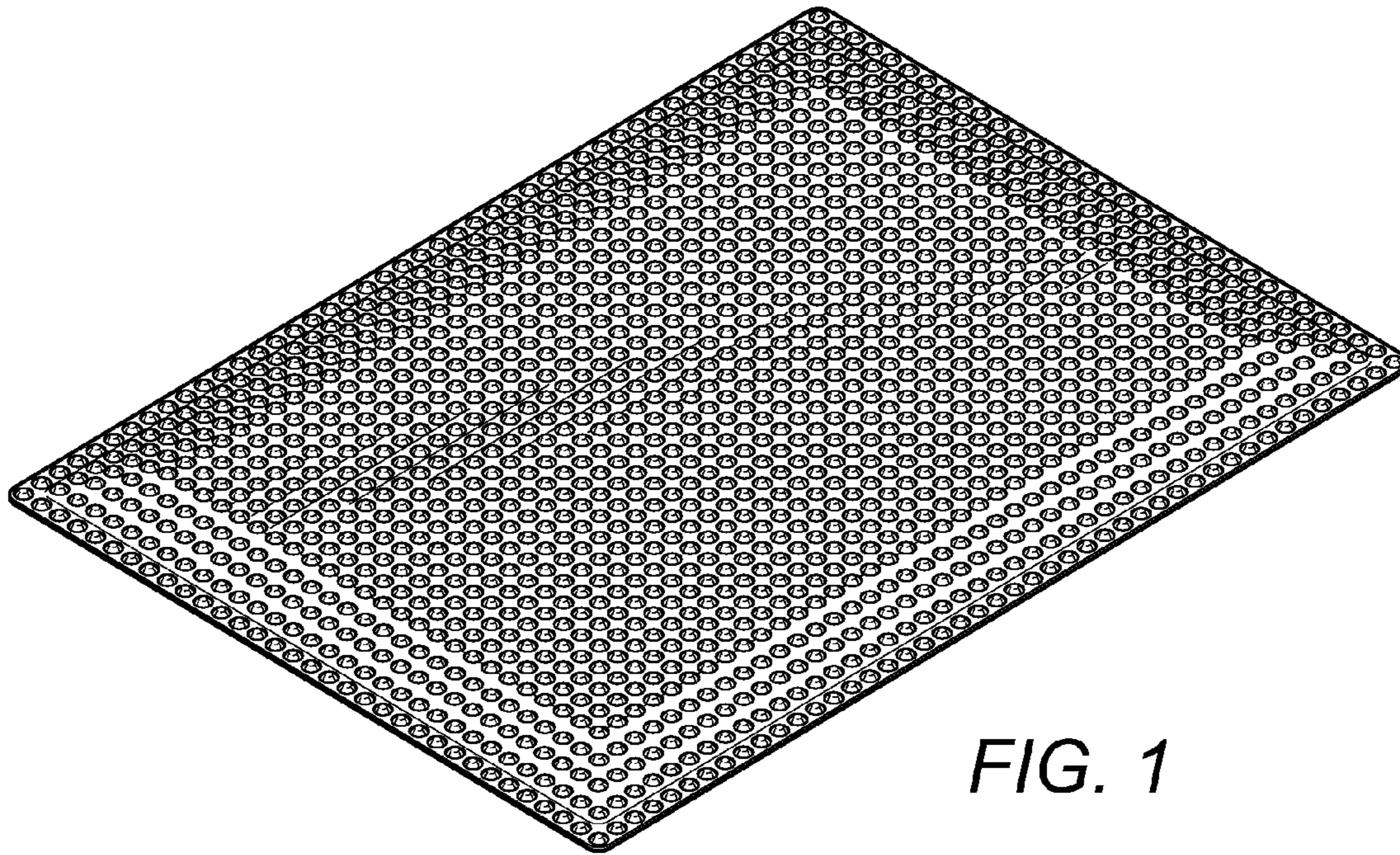


FIG. 1



FIG. 2



FIG. 3



FIG. 4



FIG. 5

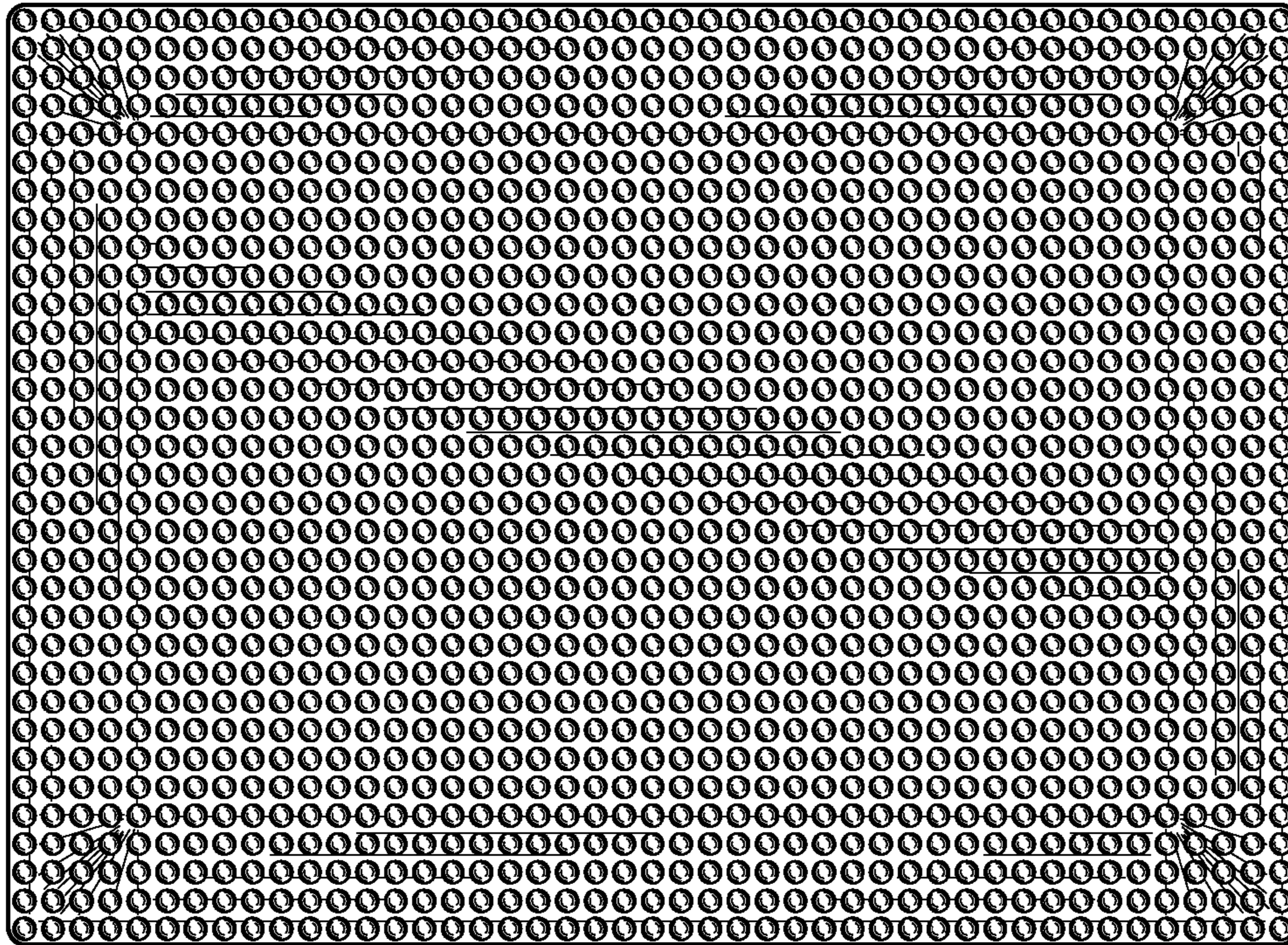


FIG. 6

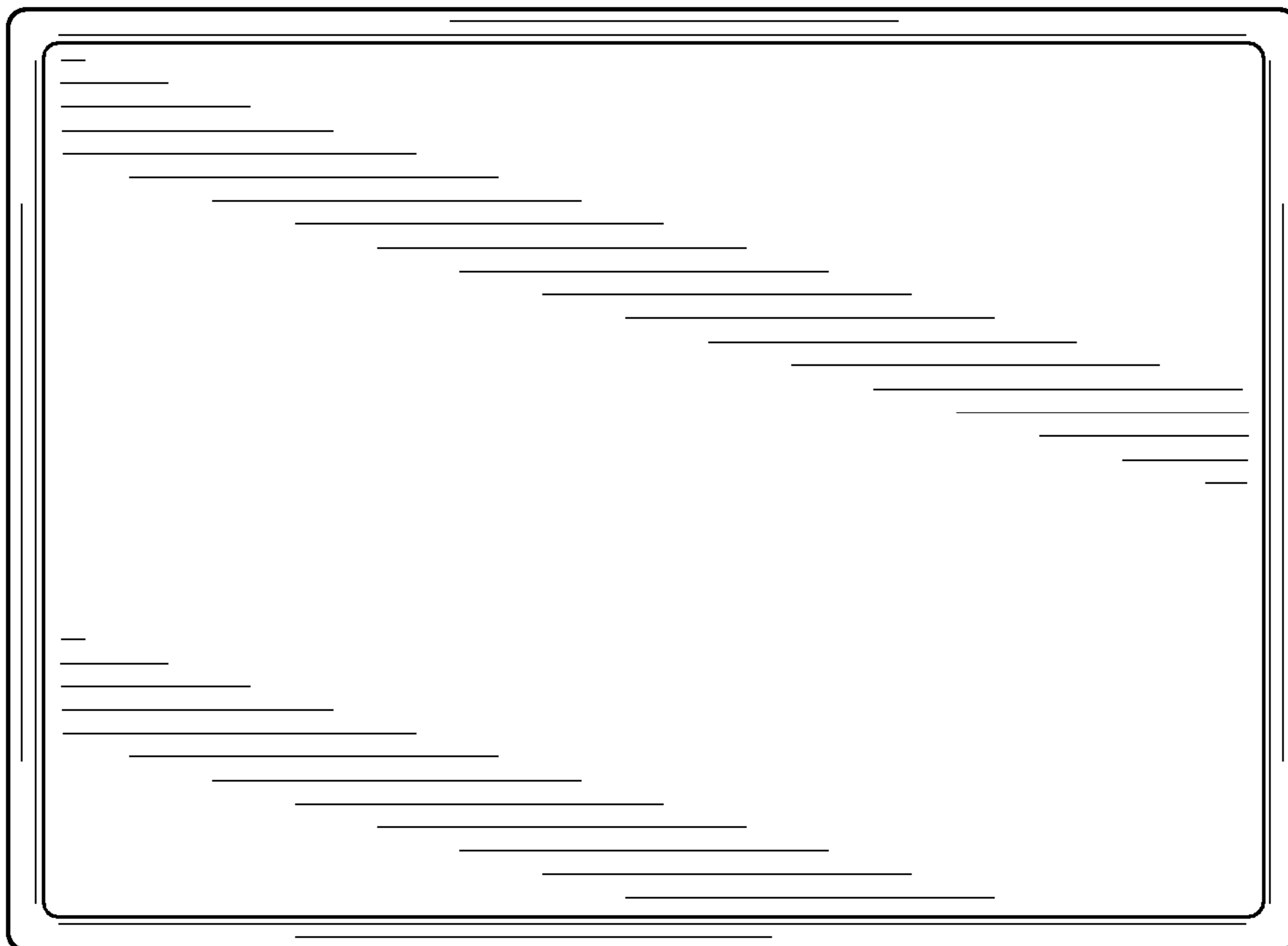


FIG. 7