



US00D543759S

(12) **United States Design Patent**  
**Stukenberg**

(10) **Patent No.:** **US D543,759 S**

(45) **Date of Patent:** **\*\* Jun. 5, 2007**

(54) **DISPLAY FIXTURE**

D495,548 S \* 9/2004 Goodman et al. .... D6/566

(75) Inventor: **Joseph R. Stukenberg**, Minneapolis, MN (US)

\* cited by examiner

*Primary Examiner*—Brian N Vinson

(73) Assignee: **Target Brands, Inc.**, Minneapolis, MN (US)

(74) *Attorney, Agent, or Firm*—Dicke, Billig & Czaja, P.L.L.C.

(\*\*) Term: **14 Years**

(57) **CLAIM**

(21) Appl. No.: **29/217,095**

The ornamental design for a display fixture, as shown and described.

(22) Filed: **Nov. 12, 2004**

**DESCRIPTION**

(51) **LOC (8) Cl.** ..... **06-04**

FIG. 1 is a top perspective view of a display fixture according to an embodiment of the invention, with elements in dashed lines forming no part of the claimed design.

(52) **U.S. Cl.** ..... **D6/553**

FIG. 2 is a bottom perspective view of a display fixture according to an embodiment of the invention, with elements in dashed lines forming no part of the claimed design.

(58) **Field of Classification Search** ..... D6/566,  
D6/567, 467, 570; D8/349, 354, 367, 370,  
D8/372, 373; 211/13.1, 41.1, 41.2, 41.4,  
211/181.1; 248/302, 309.1, 311.2, 489, 490  
See application file for complete search history.

FIG. 3 is a right side view of a display fixture according to an embodiment of the invention, with elements in dashed lines forming no part of the claimed design. A left side view is an identical mirror image of FIG. 3 and is omitted.

(56) **References Cited**

**U.S. PATENT DOCUMENTS**

2,508,841	A	5/1950	Schreibman	
2,835,394	A *	5/1958	Seymour	211/41.7
3,115,252	A	12/1963	Senical	
D250,379	S *	11/1978	Zahn	D6/467
4,364,537	A	12/1982	Helzer	
4,473,207	A	9/1984	Nascher	
D339,945	S *	10/1993	Moser	D6/570
5,257,702	A	11/1993	Grafstein	
5,673,800	A *	10/1997	Connolly	211/41.7
5,836,459	A	11/1998	Nezwek et al.	
D406,980	S *	3/1999	Goodman	D6/566
D414,640	S *	10/1999	Goodman	D6/566
6,007,041	A	12/1999	Law	
D426,737	S *	6/2000	Janis	D6/566
6,079,574	A	6/2000	Mylander et al.	
D431,953	S *	10/2000	Walters-Dowding et al.	D6/566
D436,486	S *	1/2001	Janis	D6/566
6,334,540	B1	1/2002	Plutsky	
6,336,563	B1	1/2002	Floyd, Sr.	
D479,423	S *	9/2003	Mahoney	D6/552

FIG. 4 is a front view of a display fixture according to an embodiment of the invention, with elements in dashed lines forming no part of the claimed design.

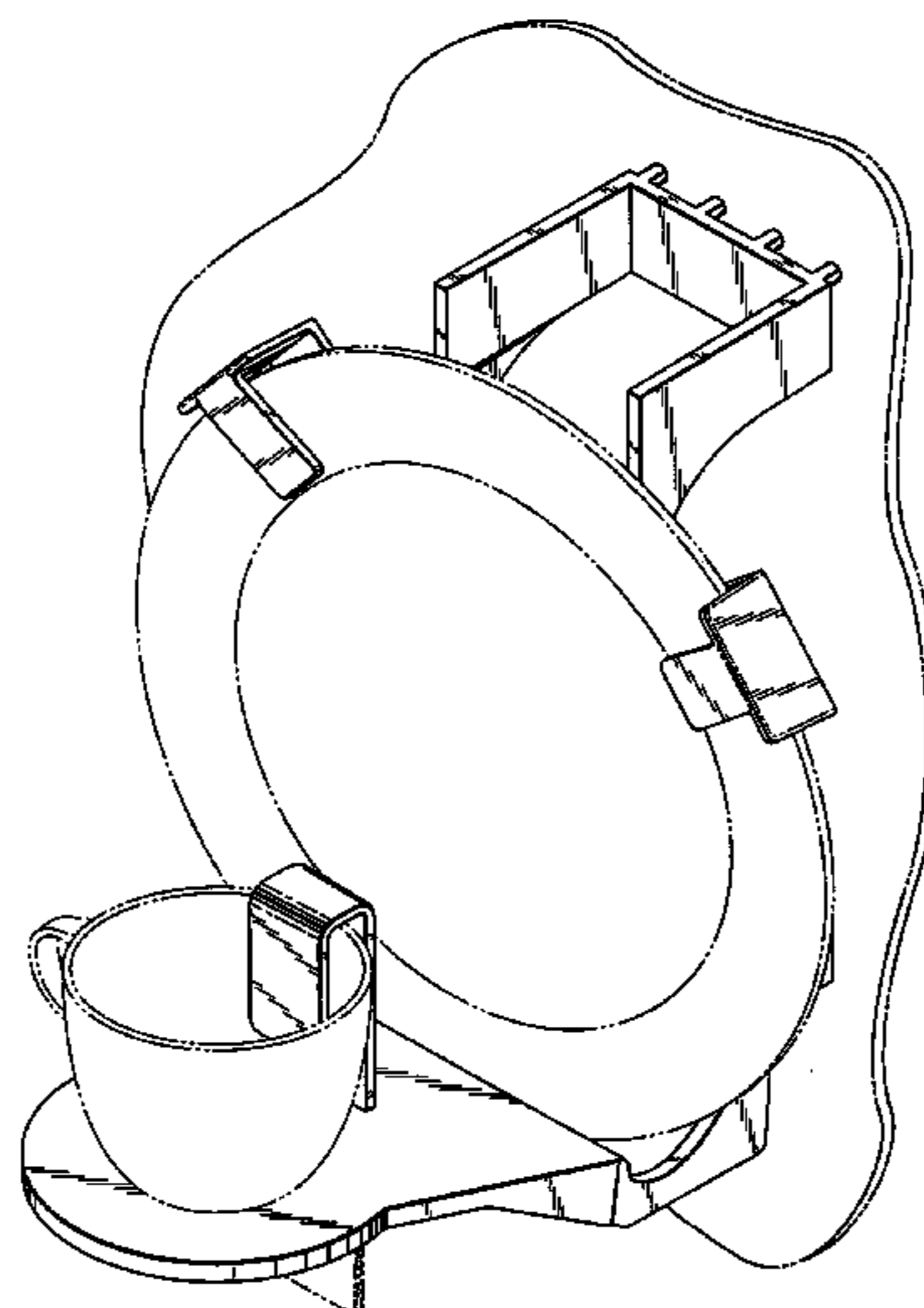
FIG. 5 is a rear view of a display fixture according to an embodiment of the invention, with elements in dashed lines forming no part of the claimed design.

FIG. 6 is a top view of a display fixture according to an embodiment of the invention, with elements in dashed lines forming no part of the claimed design.

FIG. 7 is a bottom view of a display fixture according to an embodiment of the invention, with elements in dashed lines forming no part of the claimed design; and,

FIG. 8 is a top perspective view of a display fixture, according to an embodiment of the invention, with elements in dashed lines forming no part of the claimed design.

**1 Claim, 8 Drawing Sheets**



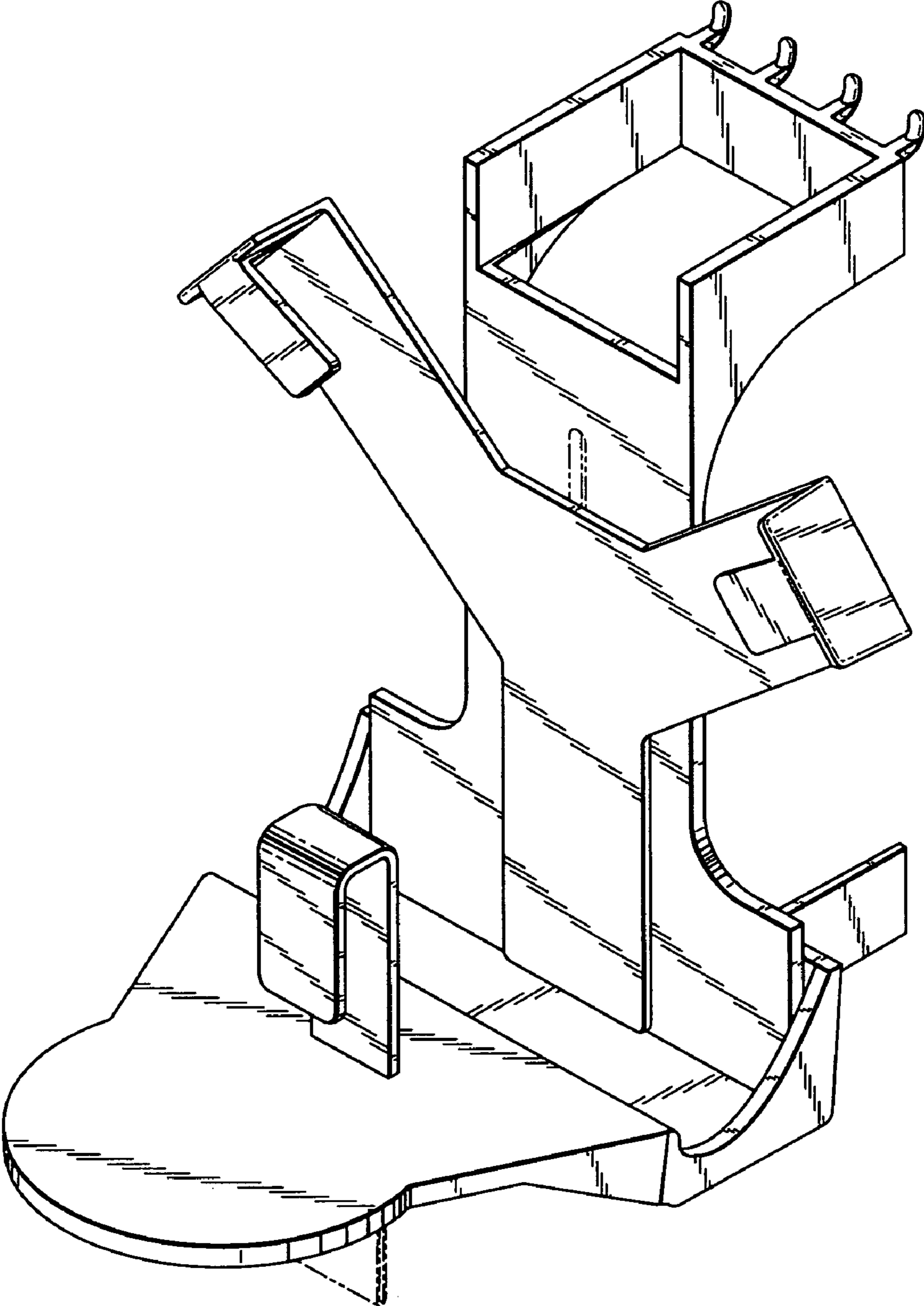
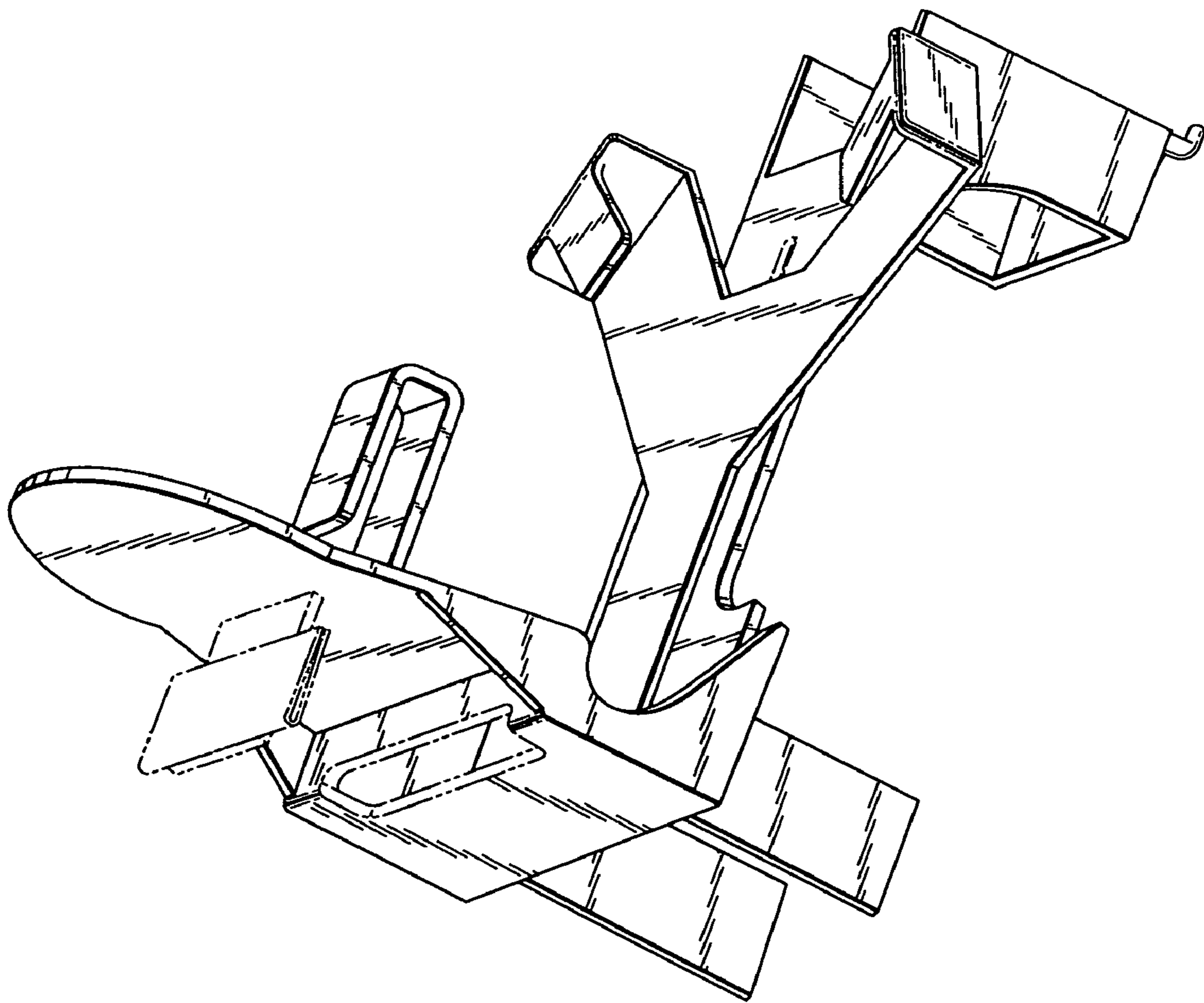


Fig. 1



**Fig. 2**

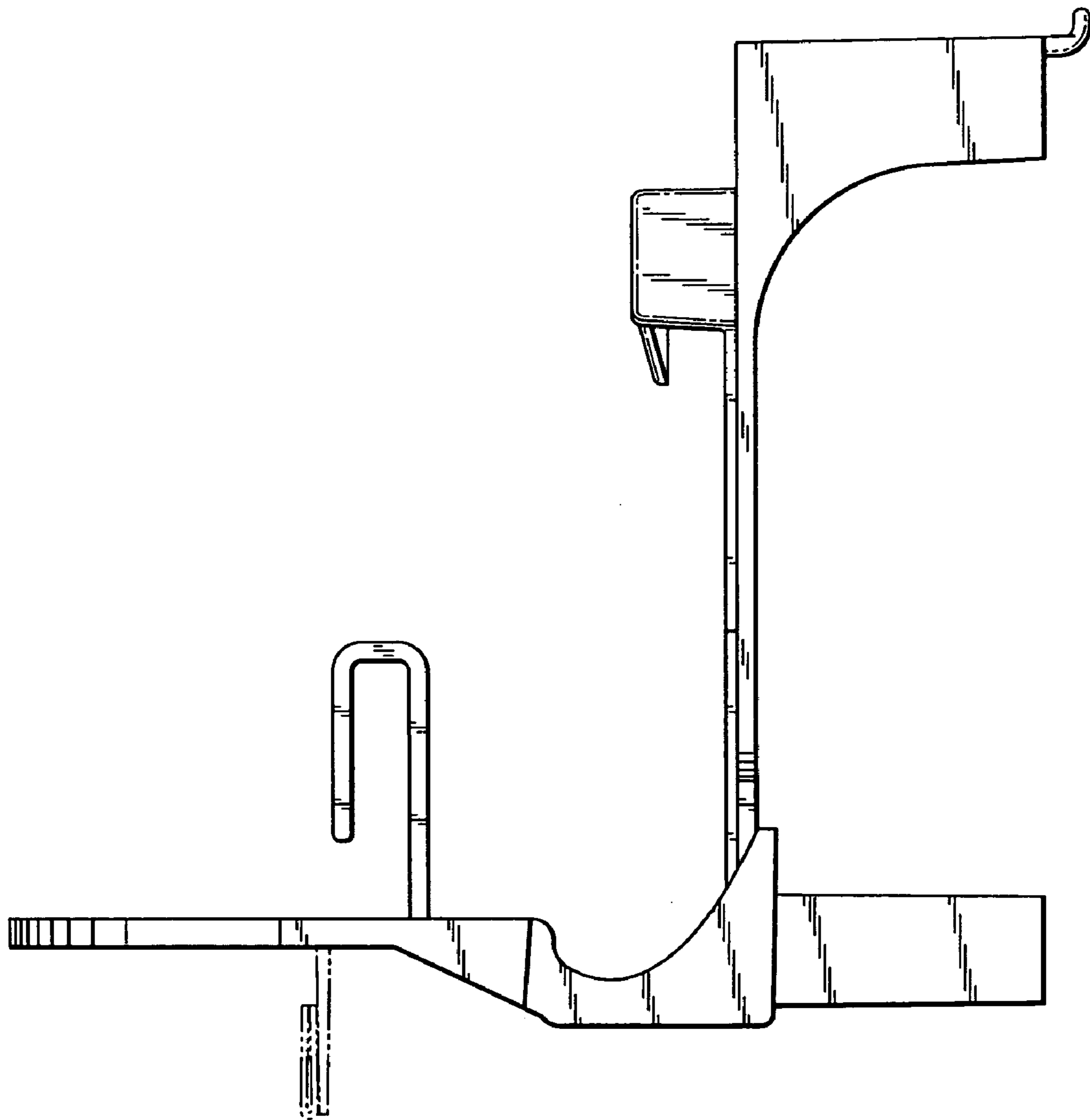
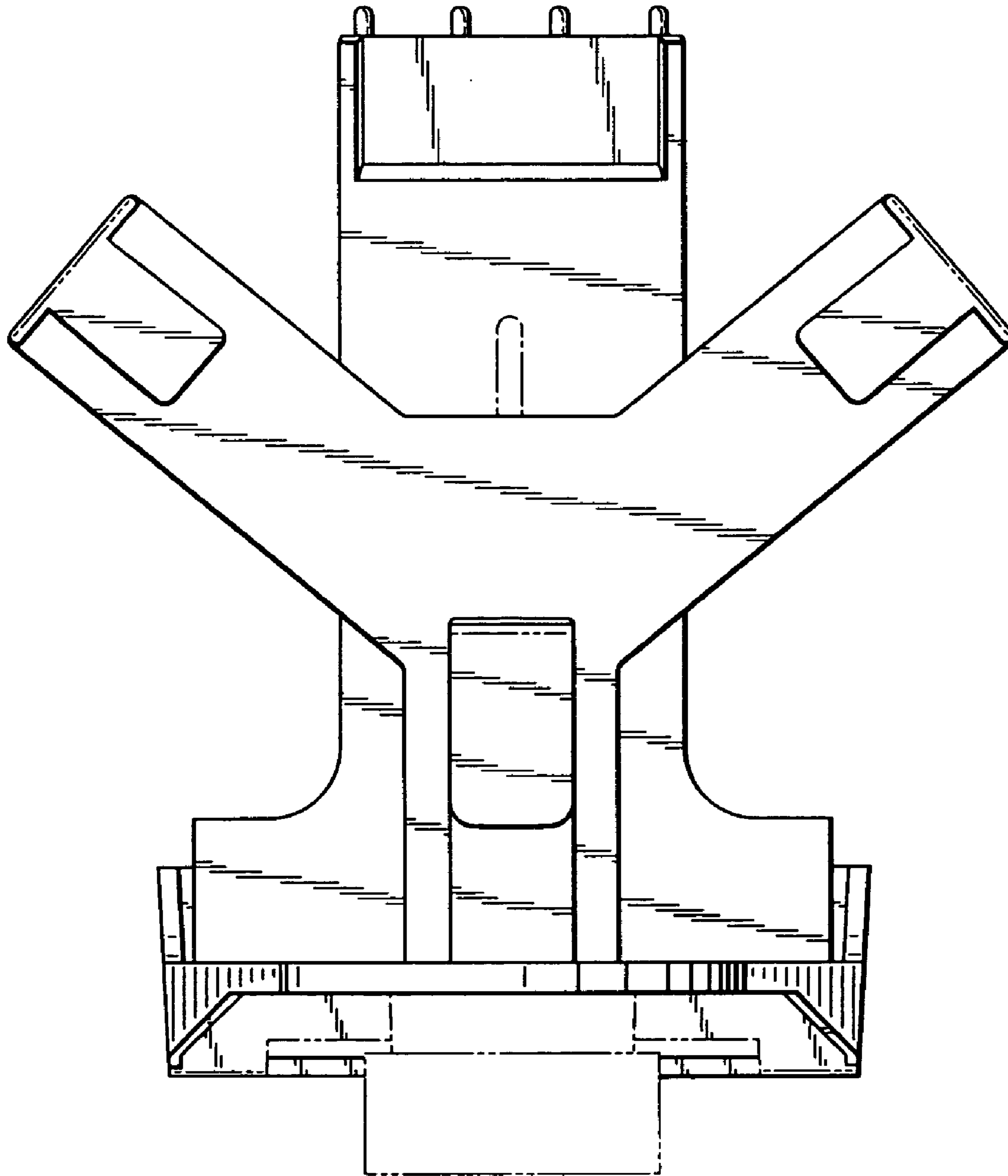
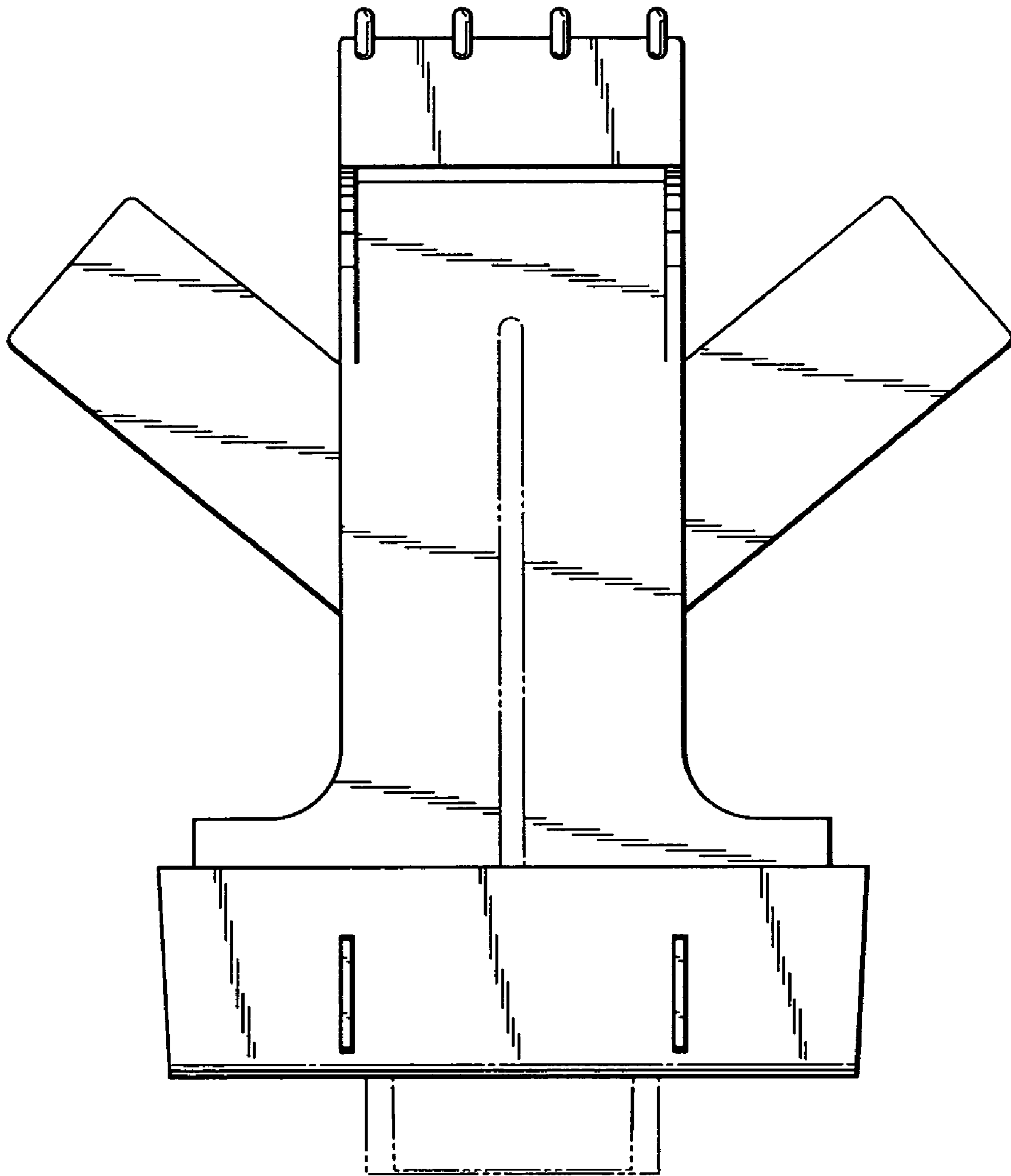


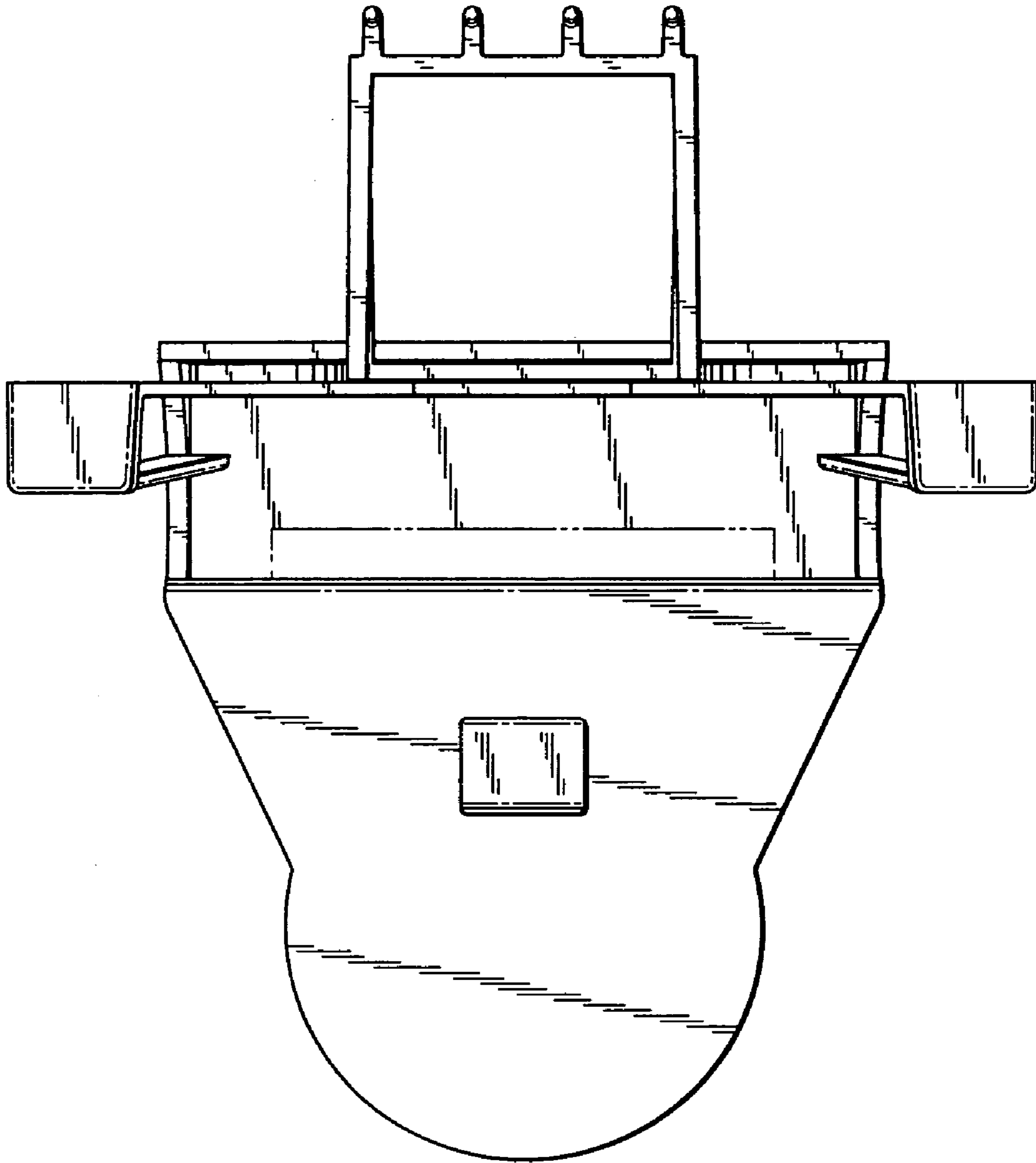
Fig. 3



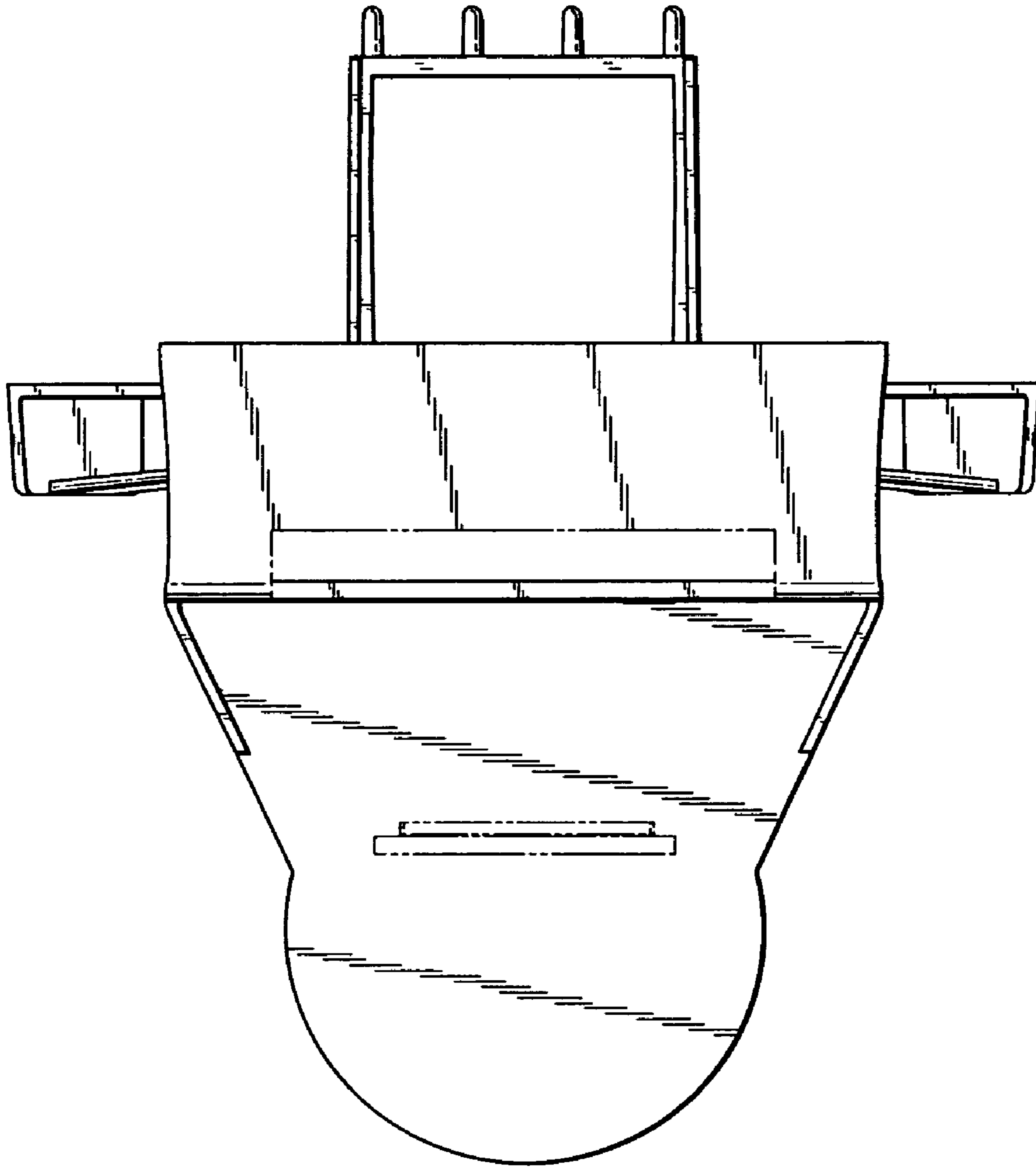
**Fig. 4**



**Fig. 5**



**Fig. 6**



**Fig. 7**



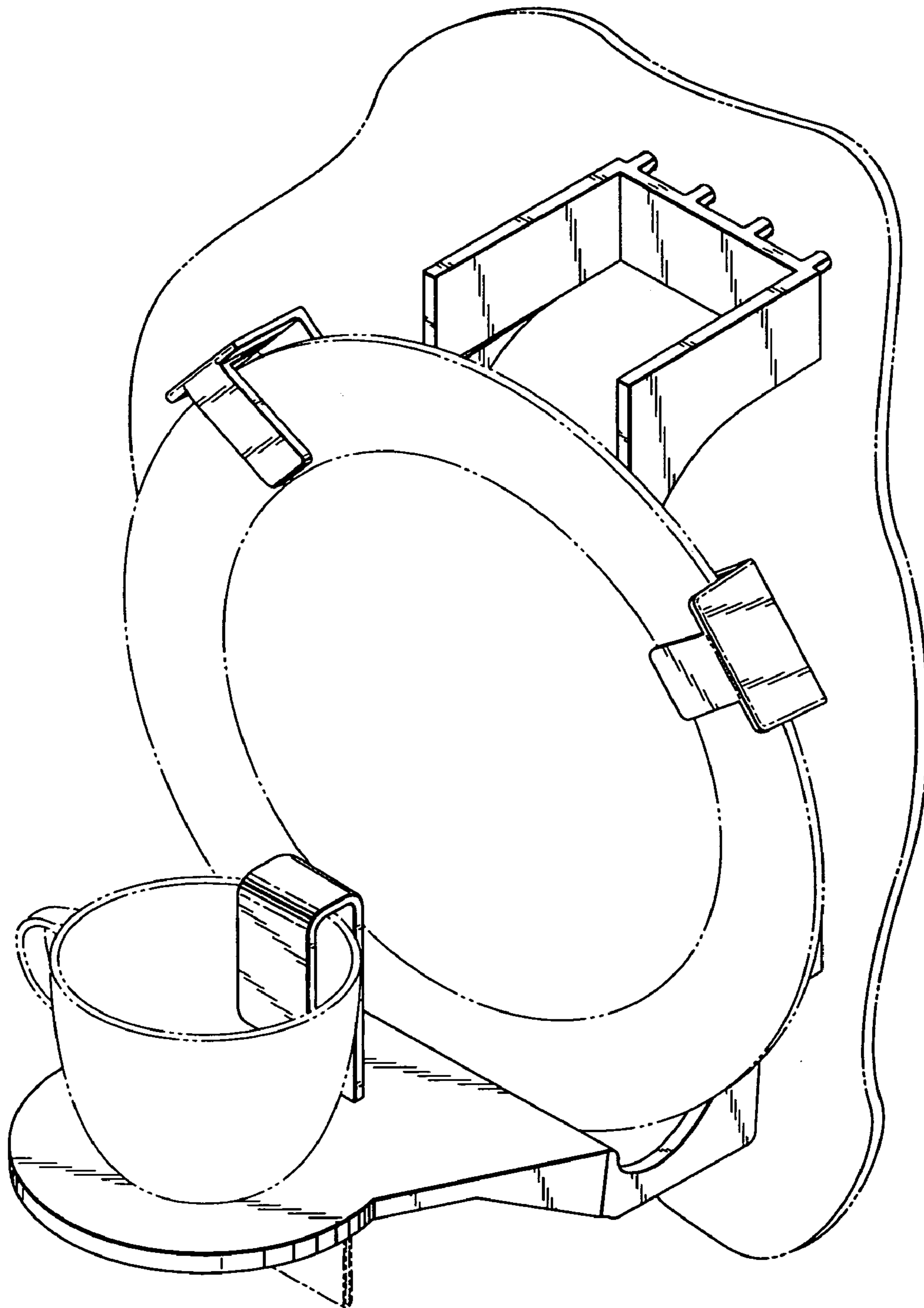


Fig. 8