



US00D543757S

(12) **United States Design Patent**
White

(10) **Patent No.:** **US D543,757 S**

(45) **Date of Patent:** **** Jun. 5, 2007**

(54) **SPORTS EQUIPMENT HOLDER**

D479,077 S * 9/2003 Ginsburg D6/552

(76) Inventor: **Larry J. White**, 739 Emerald Dr.,
Lindsborg, KS (US) 67456

* cited by examiner

Primary Examiner—Brian N Vinson
(74) *Attorney, Agent, or Firm*—Dale J. Ream

(**) Term: **14 Years**

(21) Appl. No.: **29/214,011**

(57) **CLAIM**

(22) Filed: **Sep. 27, 2004**

The ornamental design for a sports equipment holder, as shown and described.

(51) **LOC (8) Cl.** **08-08**

(52) **U.S. Cl.** **D6/552**

(58) **Field of Classification Search** D6/552,
D6/567-570; 206/315.9, 503; 211/13.1,
211/49.1; 312/234, 245

See application file for complete search history.

DESCRIPTION

FIG. 1 is a perspective view of a sports equipment holder showing my new design;

FIG. 2 is a front view thereof;

FIG. 3 is a back view thereof;

FIG. 4 is a left side view thereof;

FIG. 5 is a right side view thereof;

FIG. 6 is a top view thereof; and,

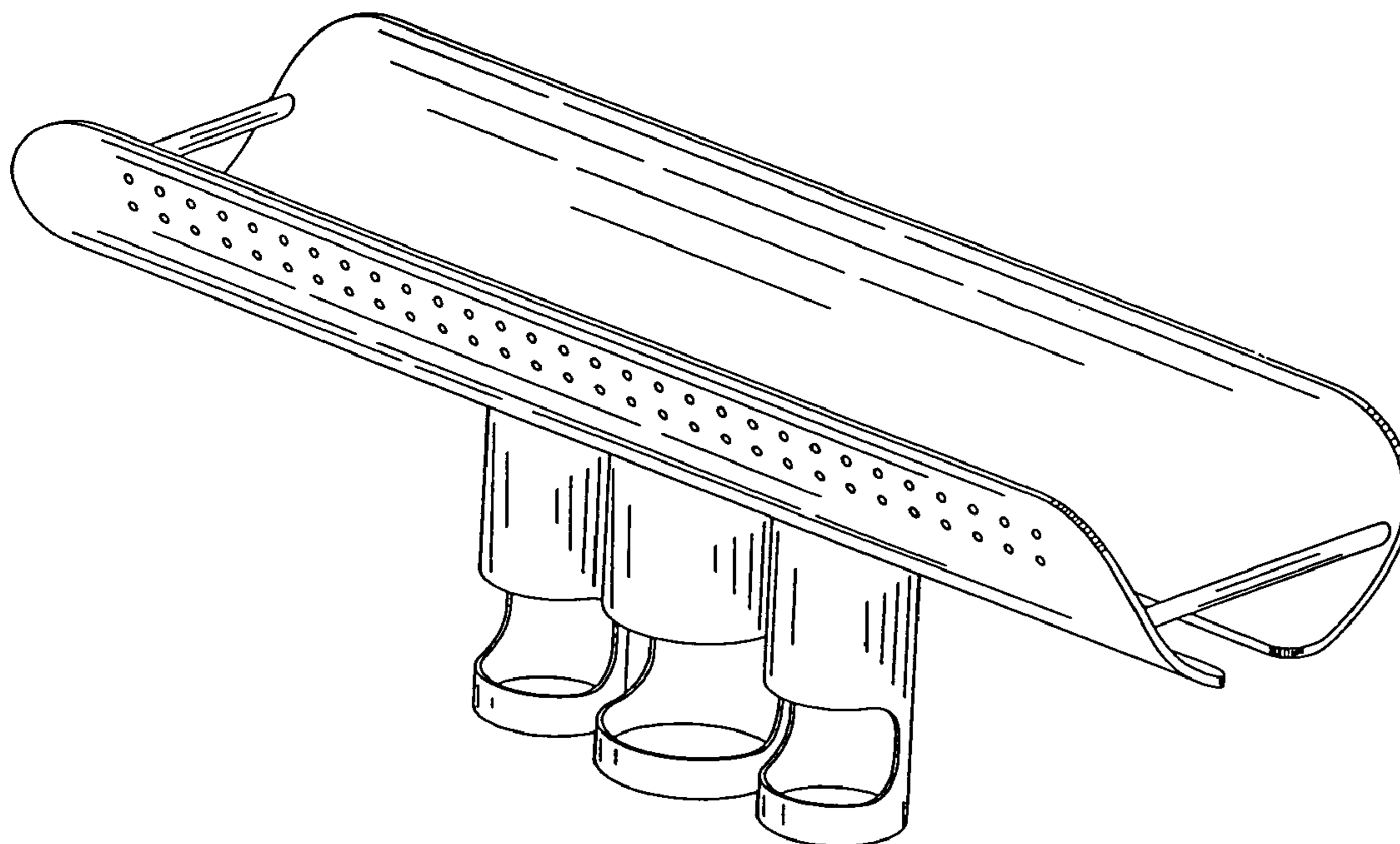
FIG. 7 is a bottom view thereof.

(56) **References Cited**

U.S. PATENT DOCUMENTS

4,082,209	A *	4/1978	Sanders	211/14
D346,520	S *	5/1994	Barfield	D6/552
5,746,332	A *	5/1998	Kleinschmidt	211/14
D421,865	S *	3/2000	Chen	D6/552
D431,950	S *	10/2000	Richardson	D6/552

1 Claim, 7 Drawing Sheets



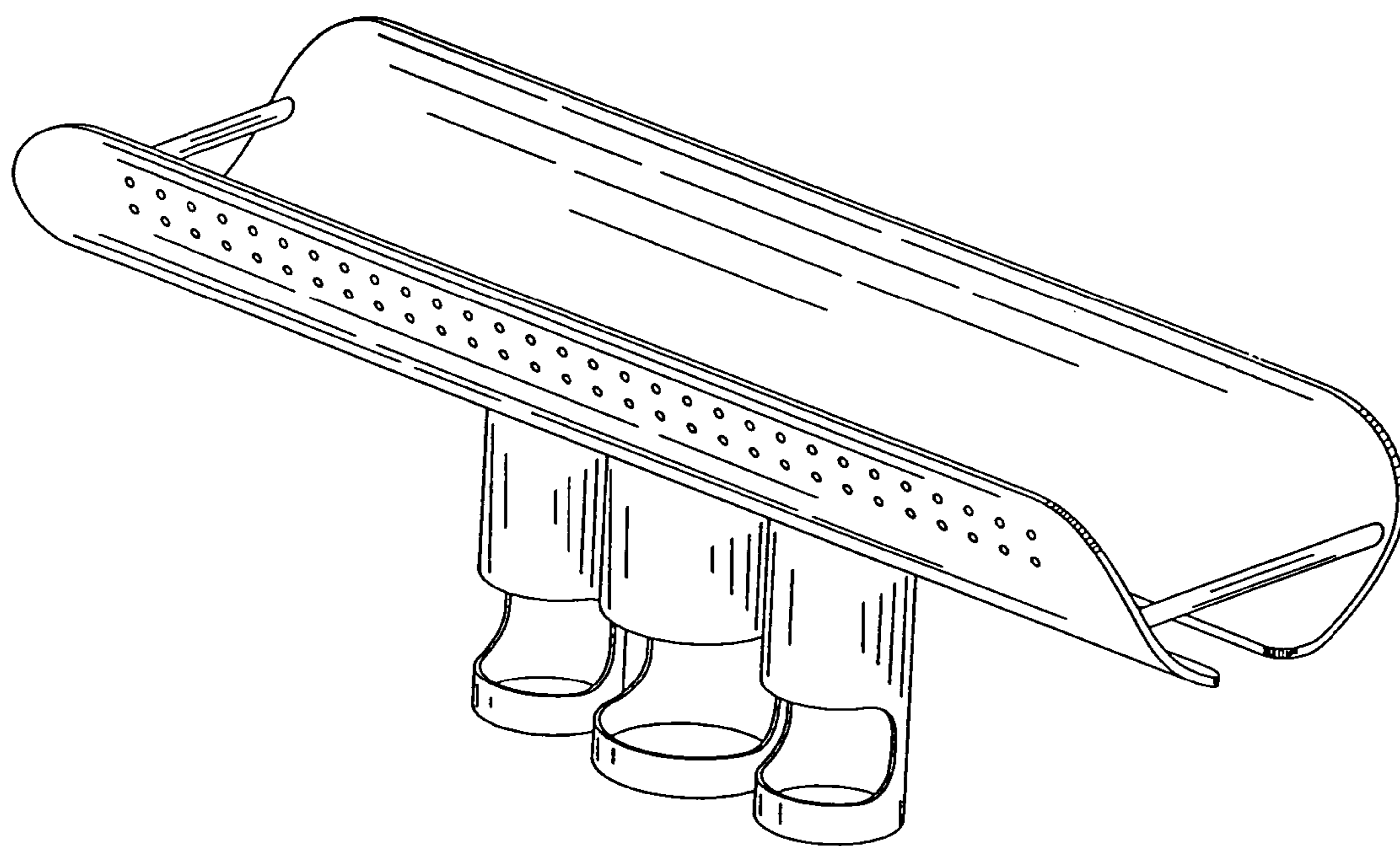


Fig. 1

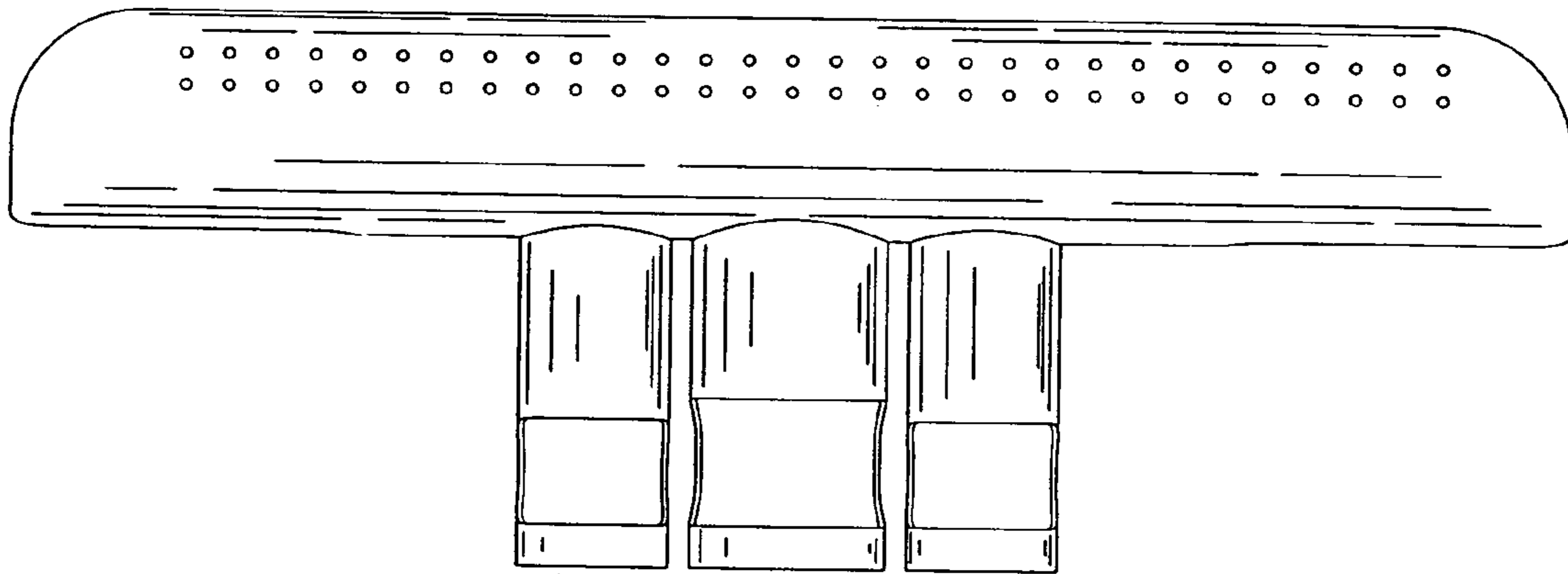


Fig. 2

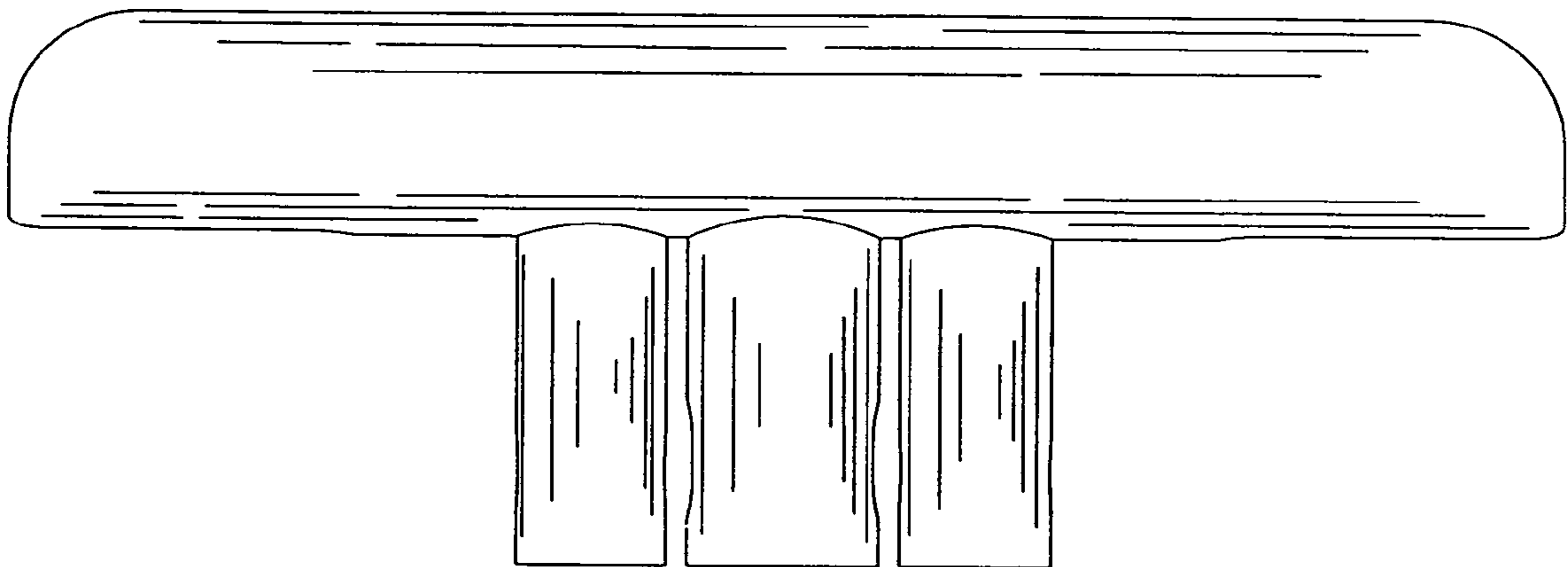


Fig. 3

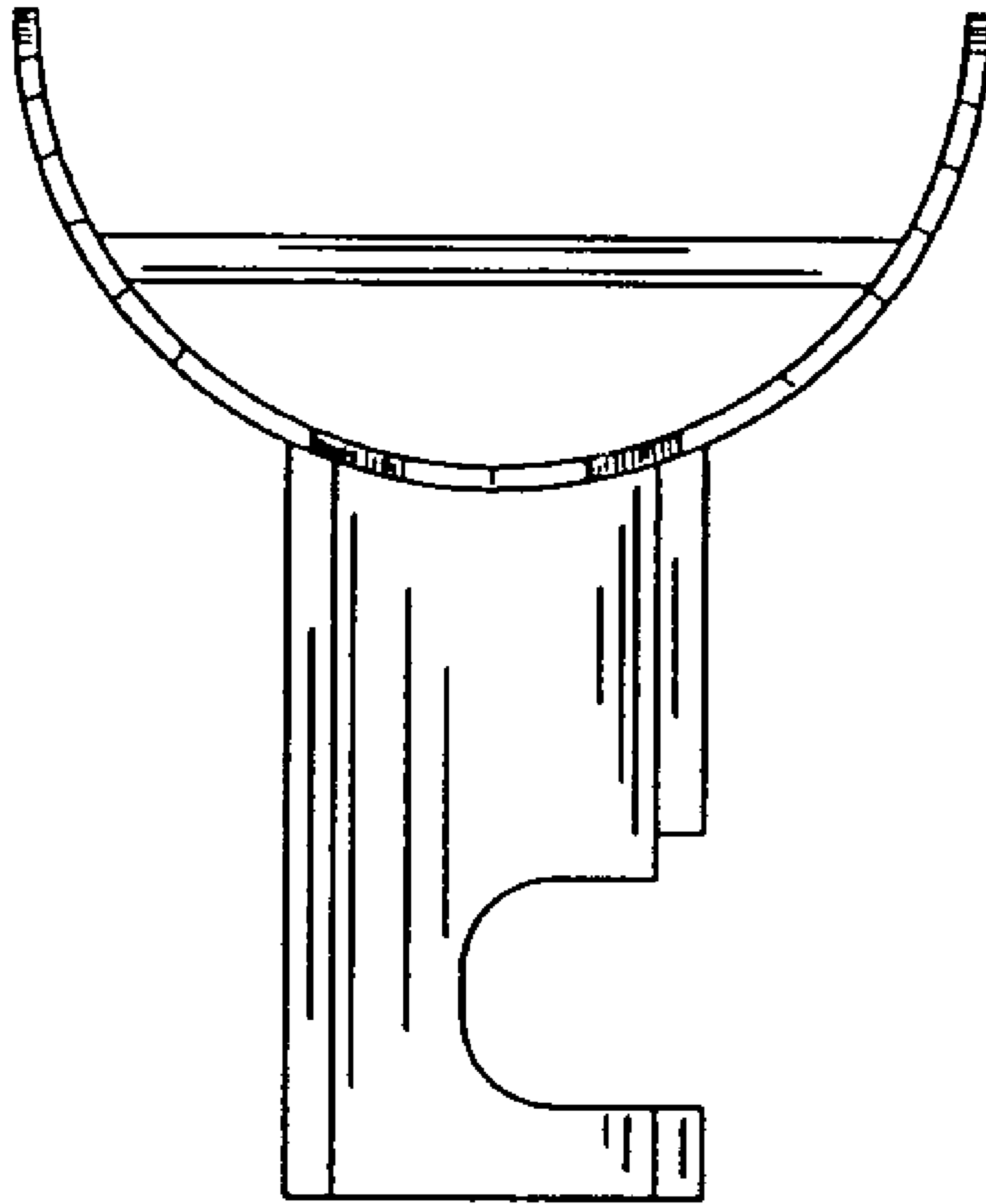


Fig. 4

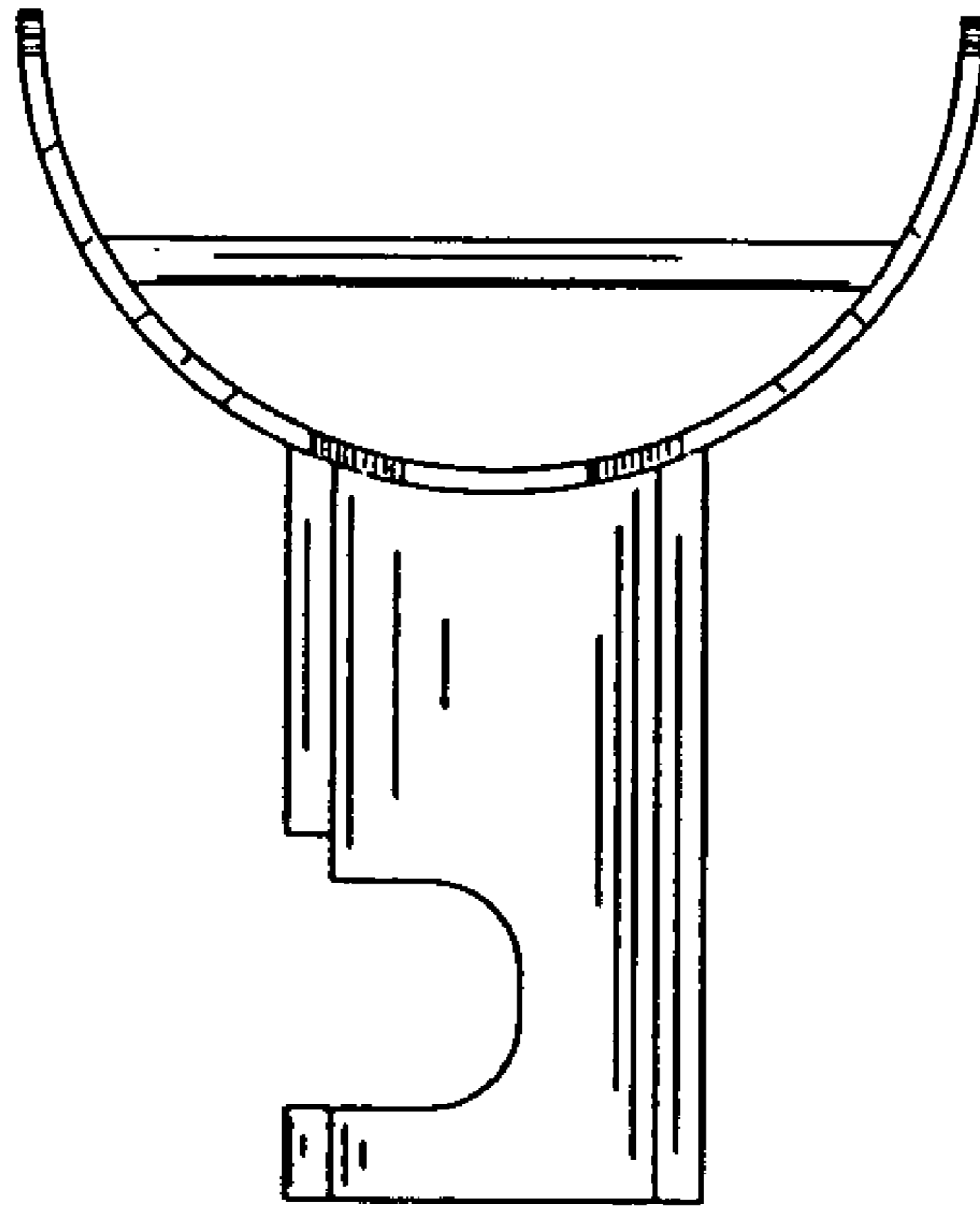


Fig. 5

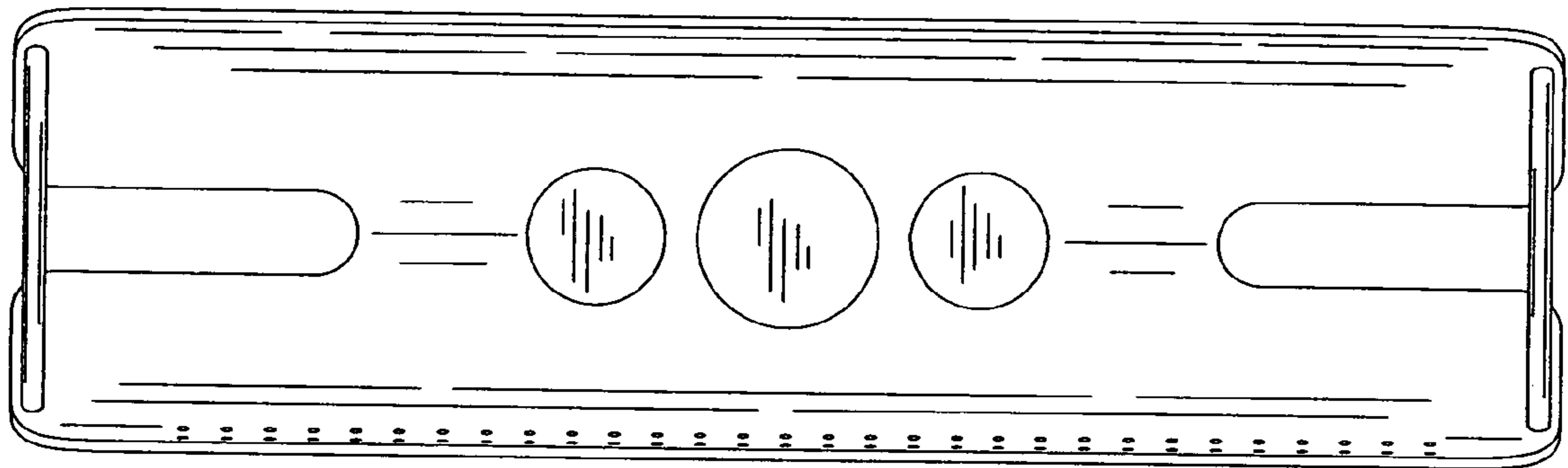


Fig. 6

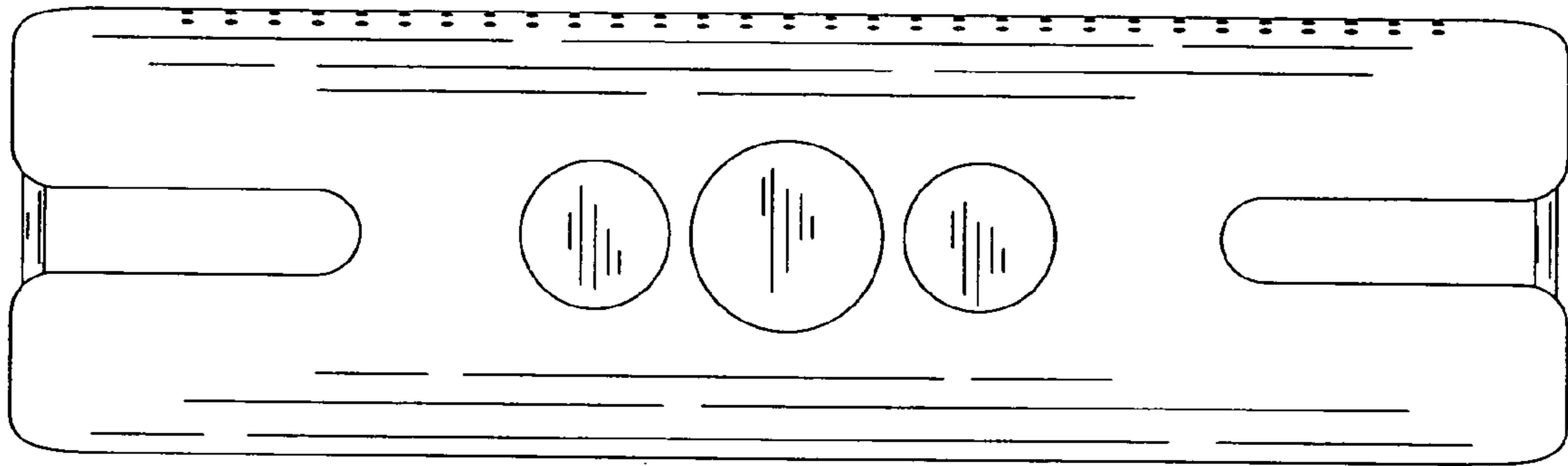


Fig. 7