

US00D543755S

(12) **United States Design Patent**  
**Bauer et al.**

(10) **Patent No.:** **US D543,755 S**

(45) **Date of Patent:** **\*\* Jun. 5, 2007**

(54) **ESCUTCHEON**

(75) Inventors: **Alan Bauer**, Medina, OH (US);  
**Christopher Jon Gilbert**, Moreland Hills, OH (US)

(73) Assignee: **Moen Incorporated**, North Olmsted, OH (US)

(\*\*) Term: **14 Years**

(21) Appl. No.: **29/241,736**

(22) Filed: **Oct. 31, 2005**

(51) **LOC (8) Cl.** ..... **06-04**

(52) **U.S. Cl.** ..... **D6/550**

(58) **Field of Classification Search** ..... D6/546–550,  
D6/518–523; D8/300, 303, 315–321, 349,  
D8/354, 363, 373, 380; 108/28–29; 211/13.1,  
211/16, 60.1, 100, 86.01, 87.01, 88.01, 88.04,  
211/105.1–105.2, 123, 182, 181.1; 248/175,  
248/176.1, 251, 302, 309.1; 16/110.1, 412,  
16/415; 242/570, 590, 595–598

See application file for complete search history.

(56) **References Cited**

**U.S. PATENT DOCUMENTS**

4,907,771	A *	3/1990	Wang	.....	248/251
5,307,528	A	5/1994	Nieuwenhuis et al.		
D349,228	S	8/1994	Jans		
D355,348	S	2/1995	Jans		
5,690,237	A	11/1997	Marzec		
D388,644	S	1/1998	Chen		
D391,351	S	2/1998	Ko		
D391,831	S	3/1998	Doughty et al.		
D430,924	S	9/2000	Wei et al.		
D435,749	S	1/2001	Ming-Hsiao		
D449,952	S *	11/2001	Lyndon	.....	D6/549
D451,324	S	12/2001	Lai		
D451,737	S	12/2001	Chen		
D451,738	S	12/2001	Yeh		
D451,739	S *	12/2001	Yeh	.....	D6/550
D452,402	S	12/2001	Chen		
D454,459	S	3/2002	Meck et al.		
D454,742	S *	3/2002	Meck et al.	.....	D6/549
D455,948	S *	4/2002	Zetsche	.....	D8/367
6,364,264	B1	4/2002	Lai		
D461,229	S	8/2002	Hanna		

D461,985	S *	8/2002	Fuchs	.....	D6/550
D462,115	S	8/2002	Tse		
D462,554	S *	9/2002	Fuchs	.....	D6/550
D471,964	S	3/2003	Bates et al.		
D477,482	S	7/2003	Green		
D480,451	S	10/2003	Singtoroj et al.		
D481,235	S	10/2003	Gilbert		
D482,758	S	11/2003	Bates et al.		
D493,993	S *	8/2004	Roberts et al.	.....	D6/550
D495,181	S *	8/2004	Sale, Jr.	.....	D6/550
D497,663	S	10/2004	Zieger et al.		
D499,292	S *	12/2004	Sale, Jr.	.....	D6/550
D499,592	S *	12/2004	Sale, Jr.	.....	D6/550
D501,110	S *	1/2005	Roberts et al.	.....	D6/550
D502,346	S *	3/2005	Berberet	.....	D6/550
2004/0255376	A1	12/2004	Moore		

\* cited by examiner

*Primary Examiner*—Brian N Vinson

(74) *Attorney, Agent, or Firm*—Calfee, Halter & Griswold LLP

(57) **CLAIM**

The ornamental design for an escutcheon, as shown and described.

**DESCRIPTION**

FIG. 1 is a perspective view of an escutcheon of the new design;

FIG. 2 is a front elevational view of the escutcheon of FIG. 1;

FIG. 3 is a rear elevational view of the escutcheon of FIG. 1;

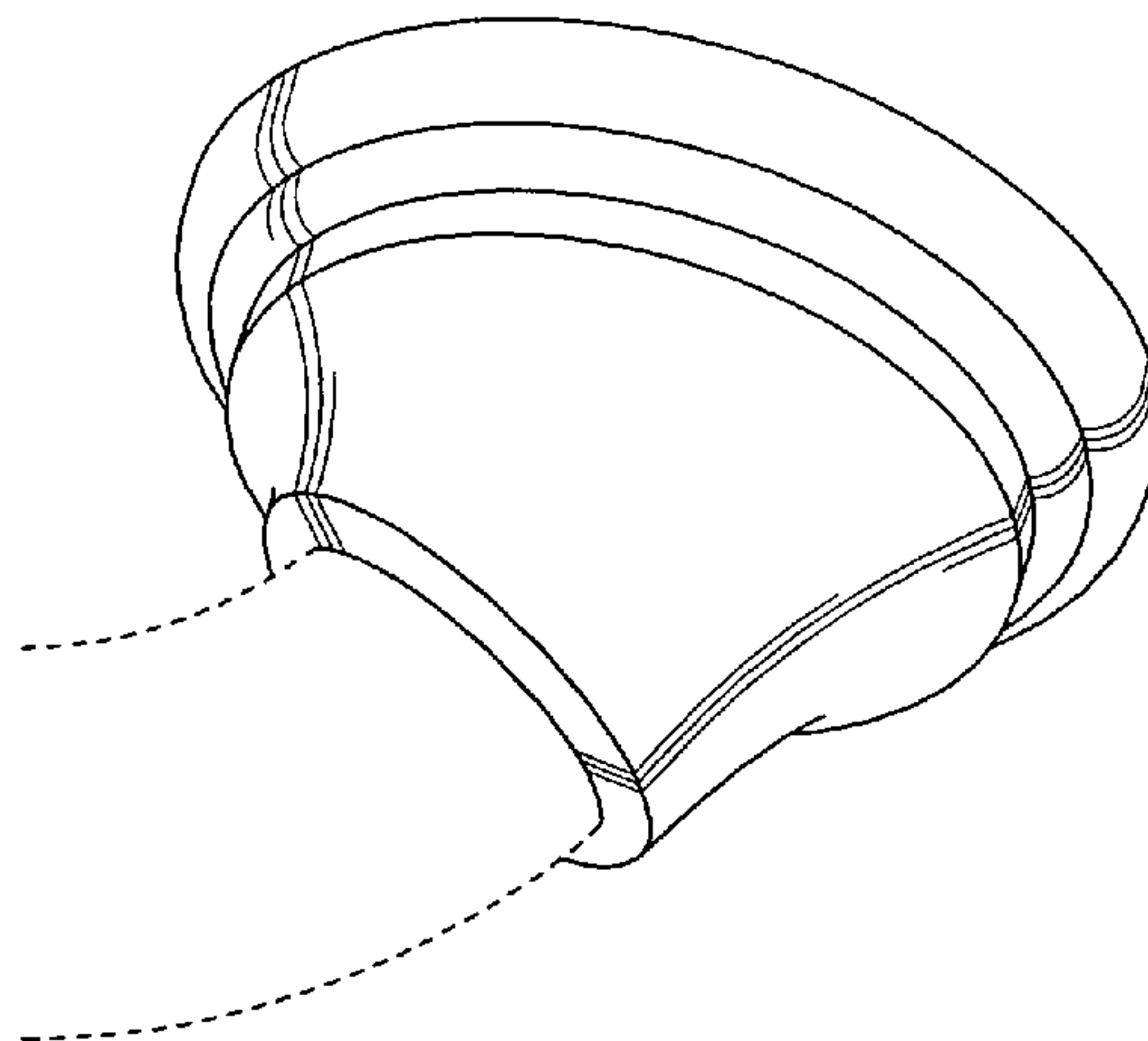
FIG. 4 is a left side elevational view of the escutcheon of FIG. 1;

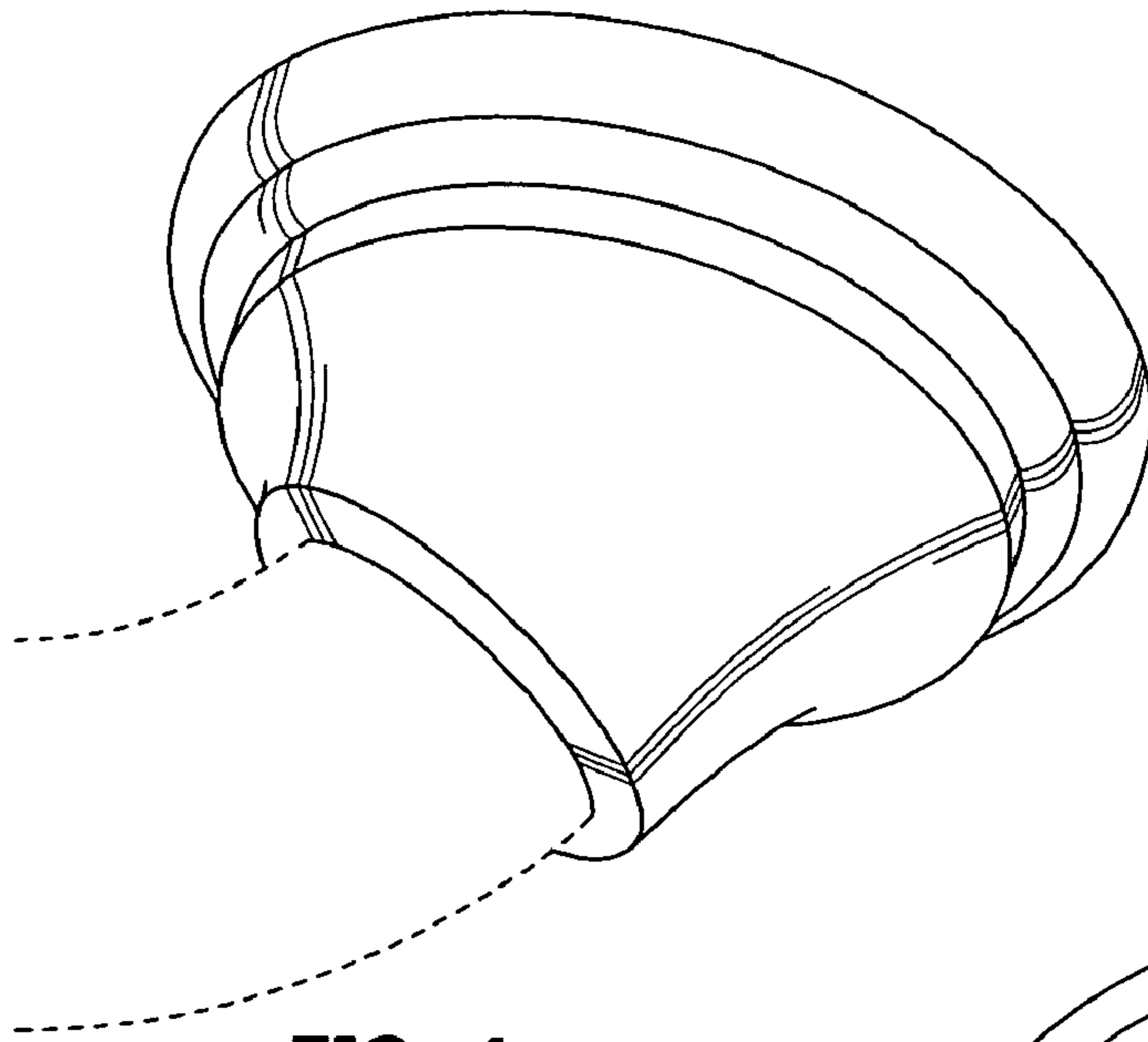
FIG. 5 is a right side elevational view of the escutcheon of FIG. 1;

FIG. 6 is a top plan view of the escutcheon of FIG. 1; and,

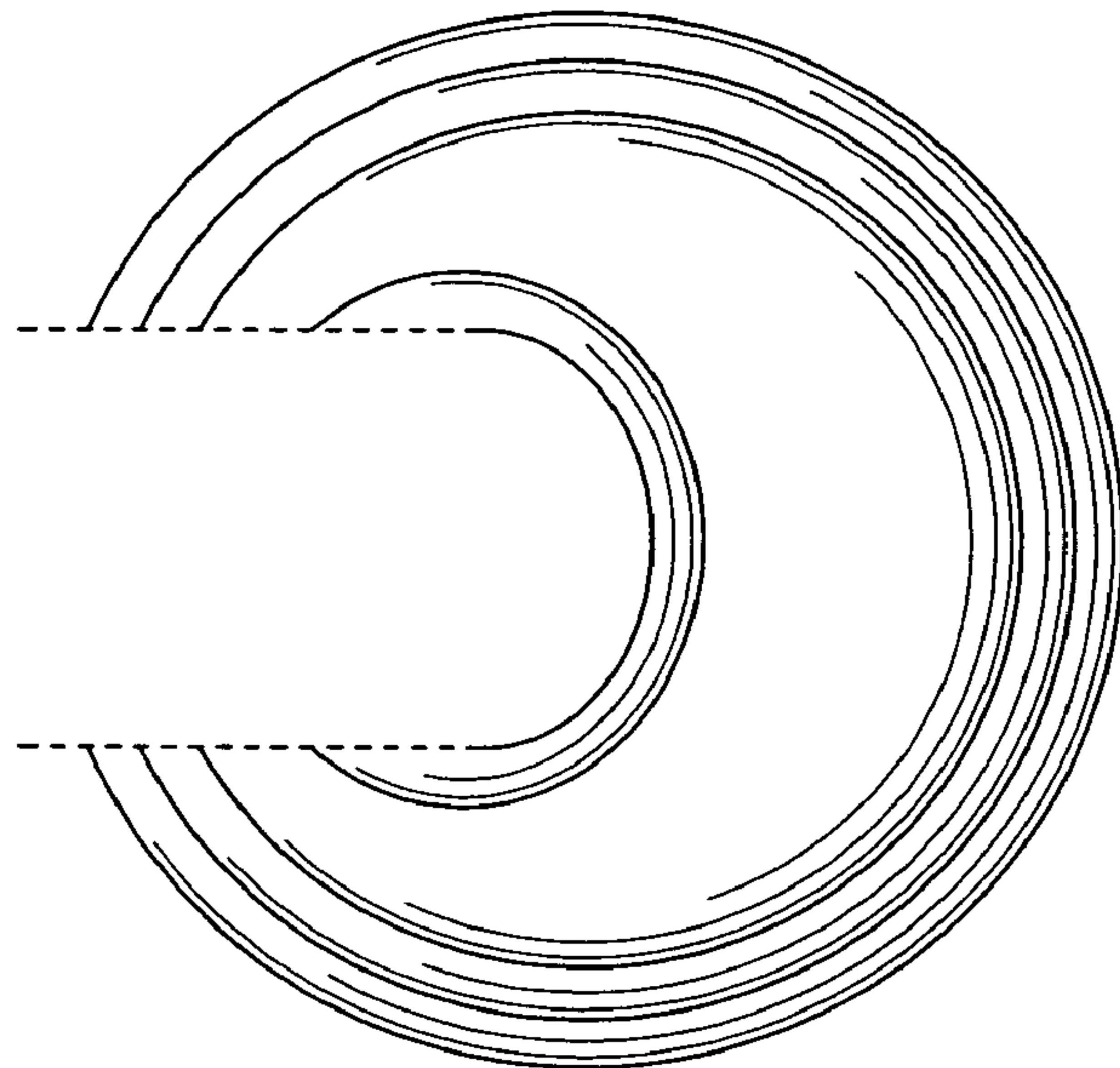
FIG. 7 is a bottom plan view of the escutcheon of FIG. 1. The portions of the Figures shown in broken lines are not part of the claimed design but are for illustration only.

**1 Claim, 2 Drawing Sheets**

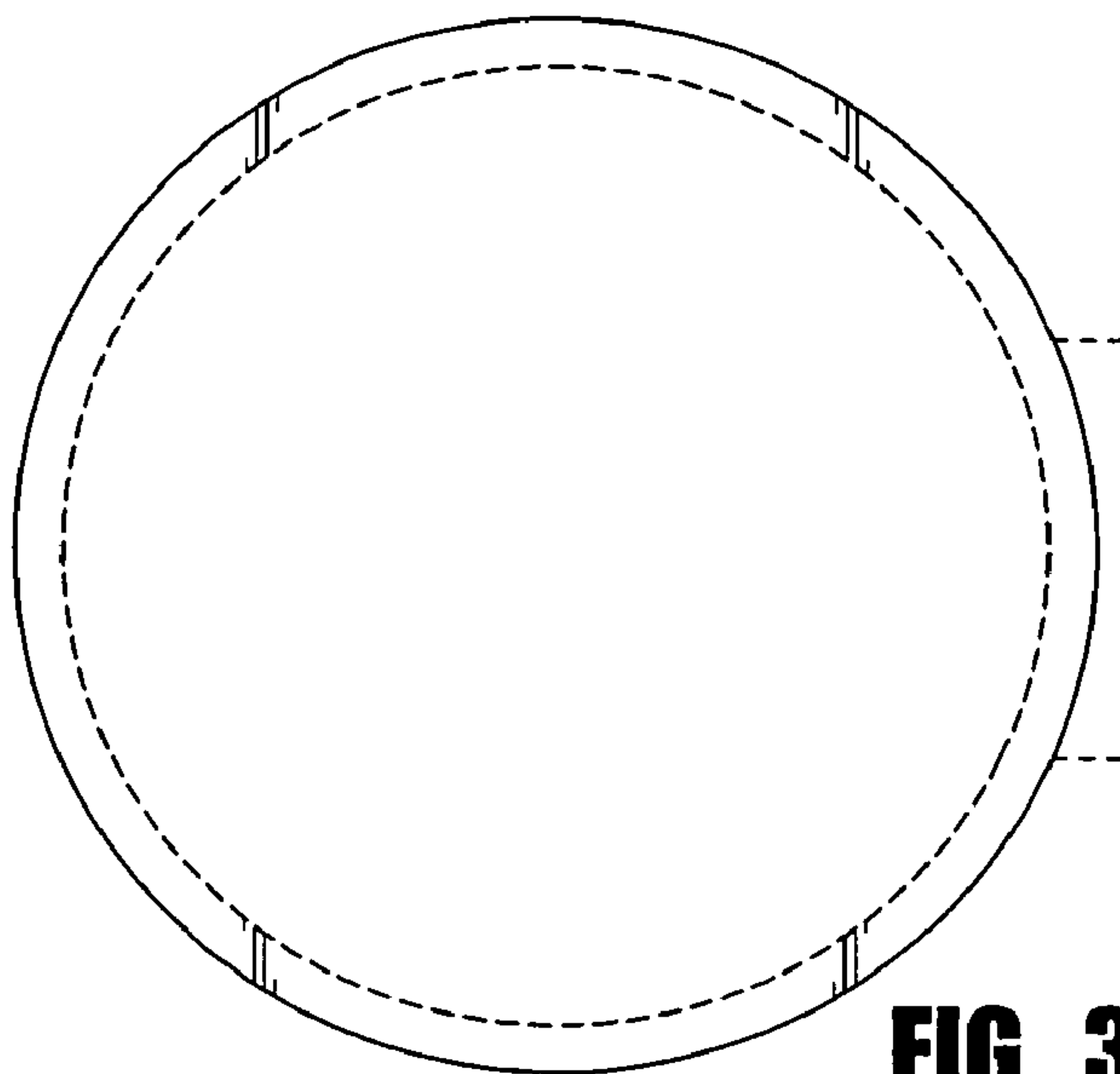




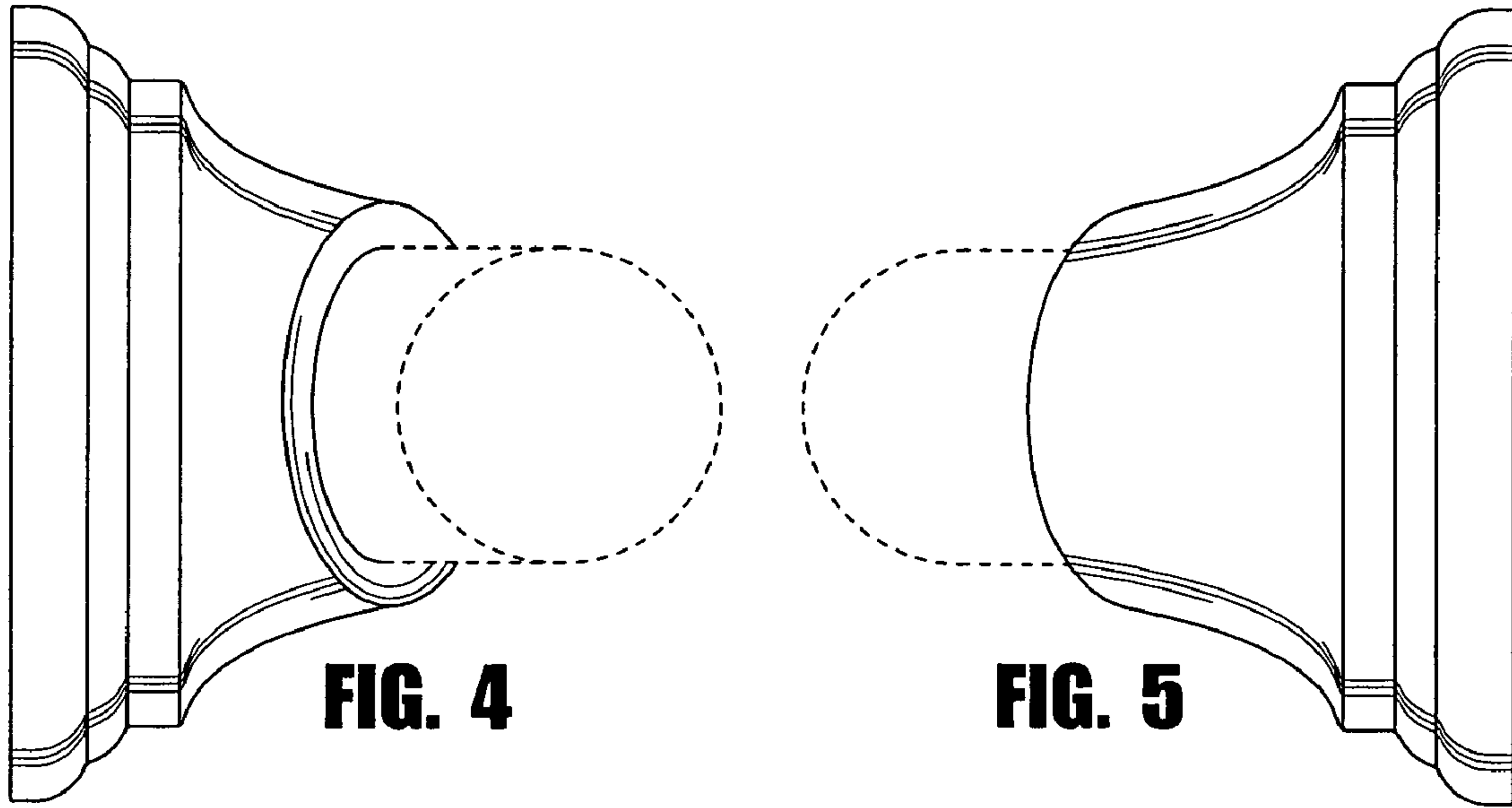
**FIG. 1**



**FIG. 2**

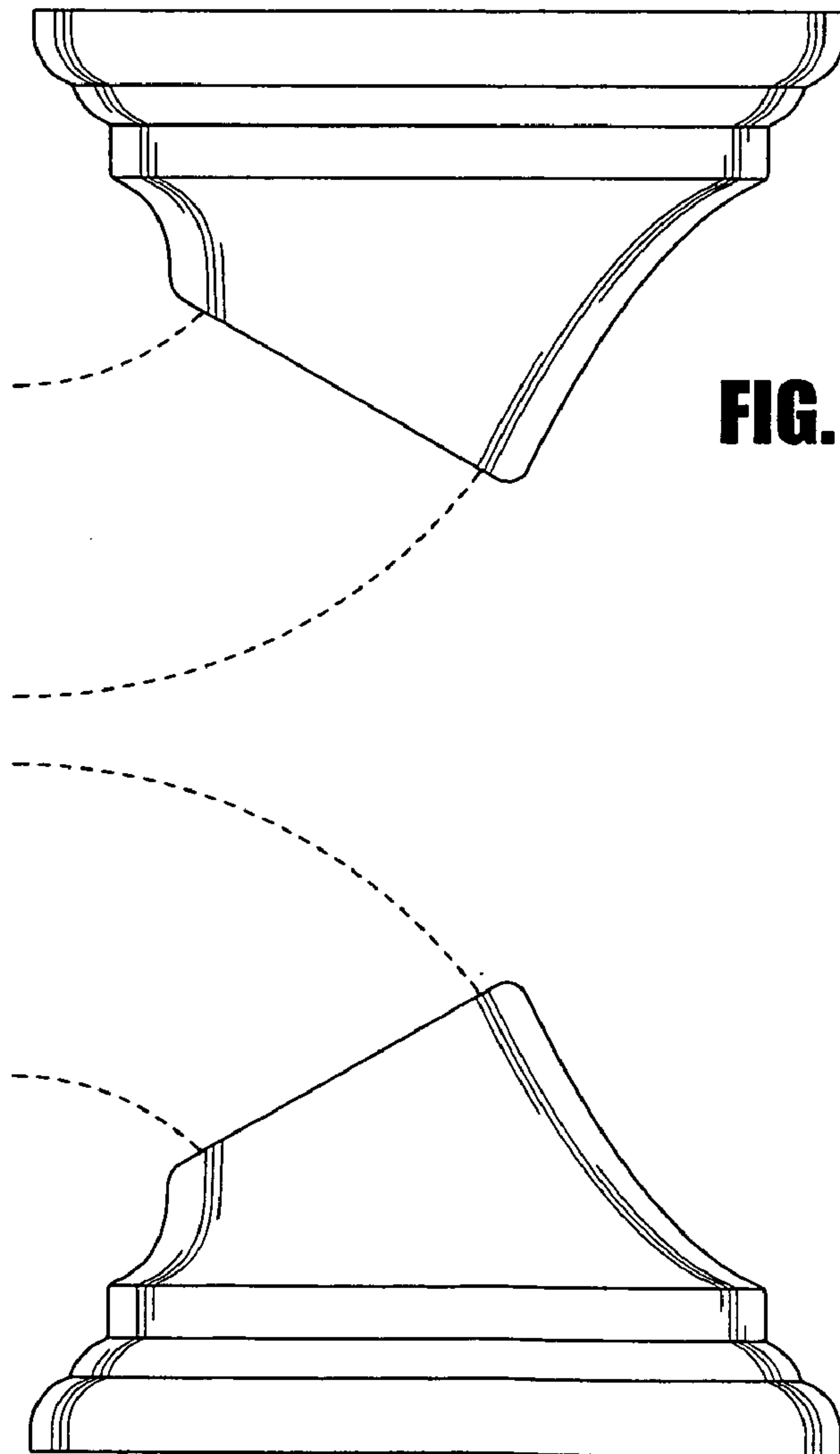


**FIG. 3**



**FIG. 4**

**FIG. 5**



**FIG. 6**

**FIG. 7**