

US00D543754S

(12) **United States Design Patent** (10) **Patent No.:** **US D543,754 S**  
**Bauer et al.** (45) **Date of Patent:** **\*\* Jun. 5, 2007**

(54) **ESCUTCHEON**  
(75) Inventors: **Alan Bauer**, Medina, OH (US);  
**Christopher Jon Gilbert**, Moreland Hills, OH (US)  
(73) Assignee: **Moen Incorporated**, North Olmsted, OH (US)  
(\*\*) Term: **14 Years**  
(21) Appl. No.: **29/241,733**  
(22) Filed: **Oct. 31, 2005**  
(51) **LOC (8) Cl.** ..... **06-04**  
(52) **U.S. Cl.** ..... **D6/550**  
(58) **Field of Classification Search** ..... D6/546-550, D6/518-523; D8/300, 303, 315-321, 349, D8/354, 363, 373, 380; 108/28-29; 211/13.1, 211/16, 60.1, 100, 86.01, 87.01, 88.04, 105.1-105.2, 211/123, 182, 181.1; 248/175, 176.1, 251, 248/302, 309.1; 16/110.1, 412, 415; 242/570, 242/590, 595-598  
See application file for complete search history.

6,216,287 B1 4/2001 Wise  
D442,408 S 5/2001 de Vries  
D449,952 S \* 11/2001 Lyndon ..... D6/549  
D451,324 S 12/2001 Lai  
D451,737 S 12/2001 Chen  
D451,738 S 12/2001 Yeh  
D451,739 S \* 12/2001 Yeh ..... D6/550  
D452,402 S 12/2001 Chen  
D453,437 S 2/2002 Gilbert  
D454,459 S 3/2002 Meck et al.  
D454,742 S \* 3/2002 Meck et al. .... D6/549  
D455,948 S \* 4/2002 Zetsche ..... D8/367  
6,364,264 B1 4/2002 Lai  
D461,229 S 8/2002 Hanna  
D461,985 S \* 8/2002 Fuchs ..... D6/550  
D462,115 S 8/2002 Tse  
D462,554 S \* 9/2002 Fuchs ..... D6/550

*Primary Examiner*—Brian N Vinson  
(74) *Attorney, Agent, or Firm*—Calfee, Halter & Griswold LLP

(57) **CLAIM**

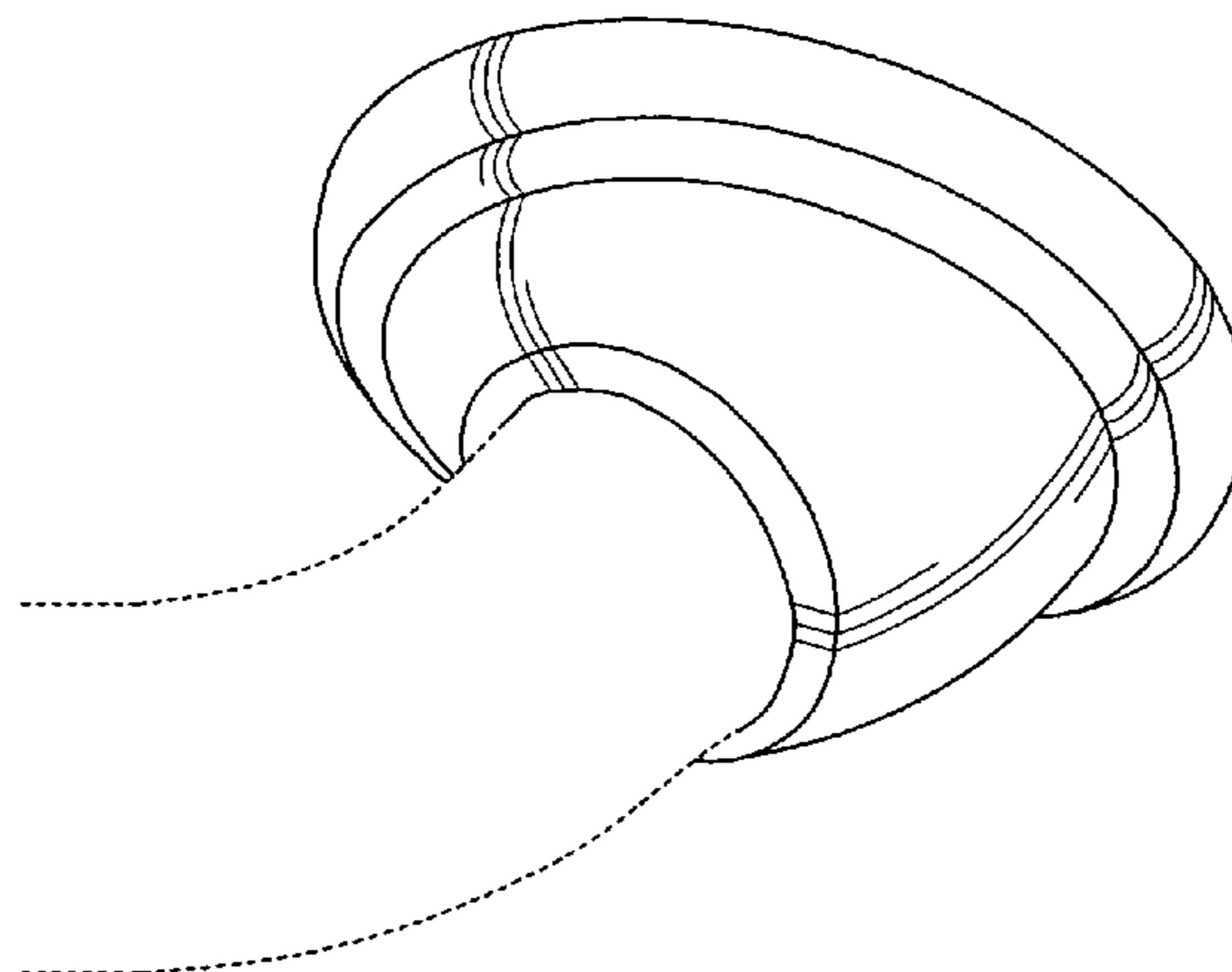
The ornamental design for an escutcheon, as shown and described.

**DESCRIPTION**

FIG. 1 is a perspective view of an escutcheon of the new design;  
FIG. 2 is a front elevational view of the escutcheon of FIG. 1;  
FIG. 3 is a rear elevational view of the escutcheon of FIG. 1;  
FIG. 4 is a left side elevational view of the escutcheon of FIG. 1;  
FIG. 5 is a right side elevational view of the escutcheon of FIG. 1;  
FIG. 6 is a top plan view of the escutcheon of FIG. 1; and,  
FIG. 7 is a bottom plan view of the escutcheon of FIG. 1.  
The portions of the Figures shown in broken lines are not part of the claimed design but are for illustration only.

**1 Claim, 2 Drawing Sheets**

(56) **References Cited**  
U.S. PATENT DOCUMENTS  
1,374,026 A 4/1921 Nelson  
1,594,714 A 8/1926 Eustis et al.  
3,193,228 A 7/1965 Chio  
D305,863 S 2/1990 Gresens et al.  
4,907,771 A \* 3/1990 Wang ..... 248/251  
5,065,540 A 11/1991 Potter, Jr.  
5,307,528 A 5/1994 Nieuwenhuis et al.  
D349,228 S 8/1994 Jans  
D355,348 S 2/1995 Jans  
5,690,237 A 11/1997 Marzec  
D388,644 S 1/1998 Chen  
D391,351 S 2/1998 Ko  
D391,831 S 3/1998 Doughty et al.  
D397,928 S 9/1998 Wise  
5,894,610 A 4/1999 Winter  
D430,924 S 9/2000 Wei et al.  
D435,749 S 1/2001 Ming-Hsiao



# US D543,754 S

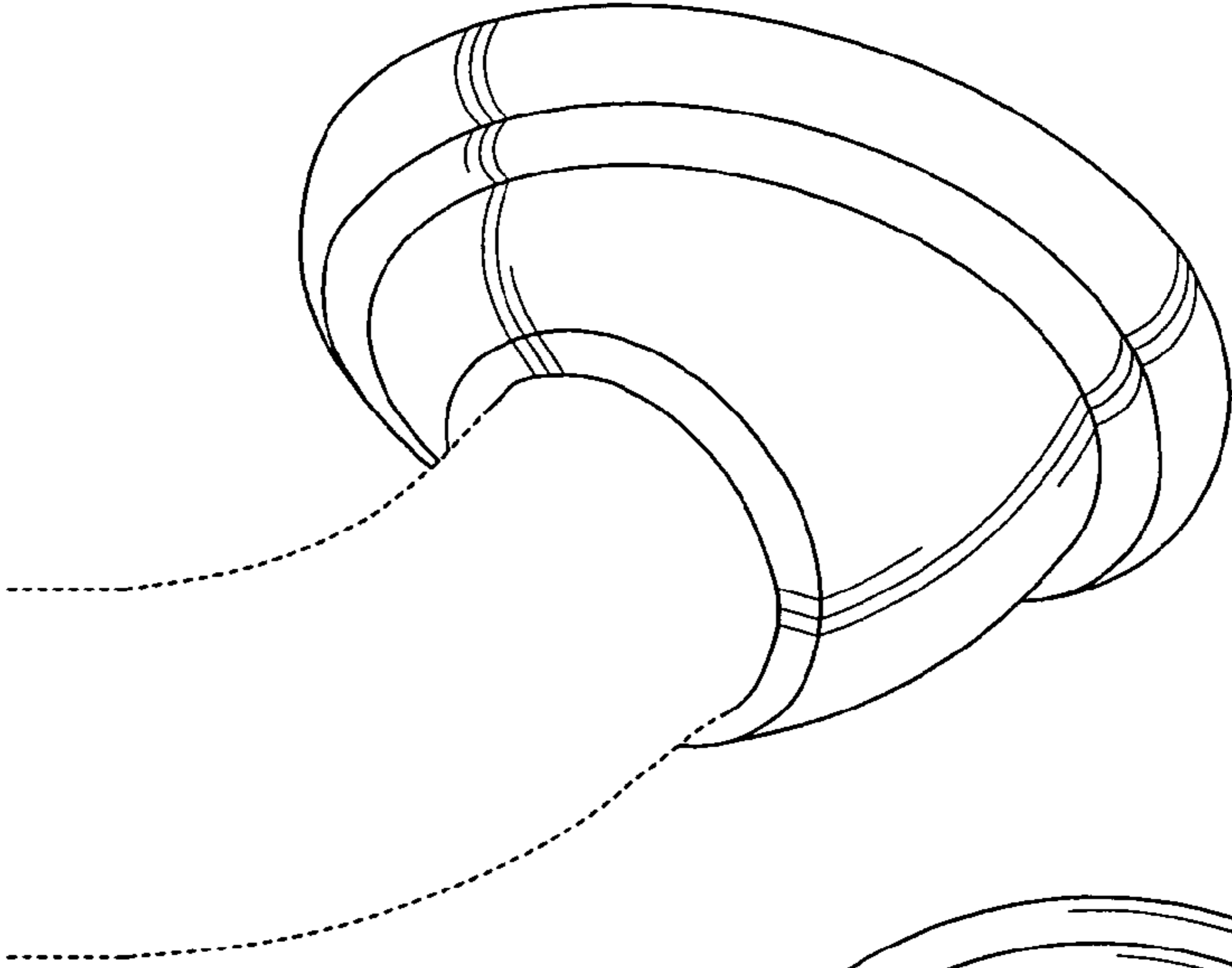
Page 2

---

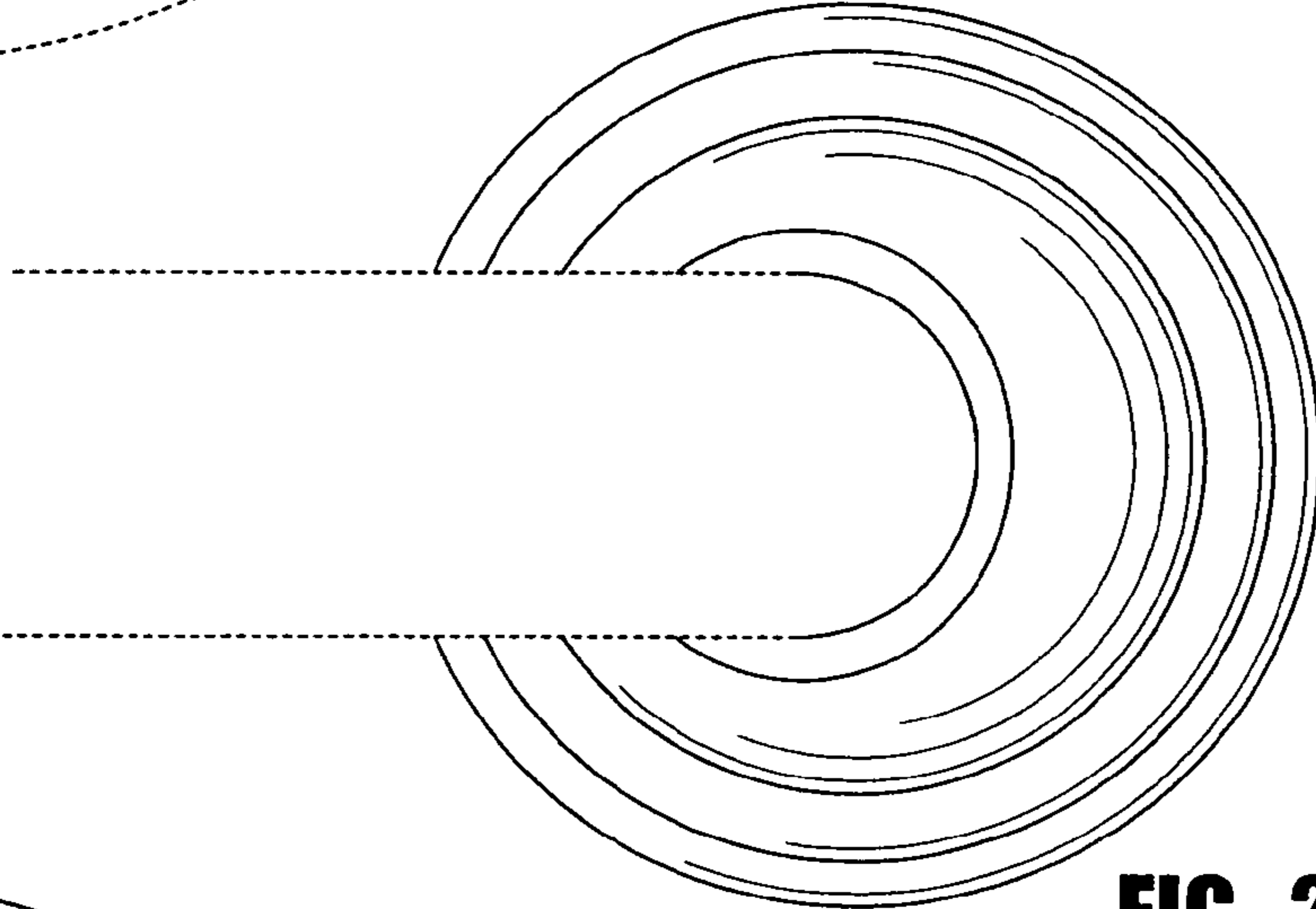
## U.S. PATENT DOCUMENTS

D471,964 S	3/2003	Bates et al.		D495,181 S *	8/2004	Sale, Jr. ....	D6/550
D477,482 S	7/2003	Green		D497,663 S	10/2004	Zieger et al.	
D480,451 S	10/2003	Singtoroj et al.		D499,292 S *	12/2004	Sale, Jr. ....	D6/550
D481,234 S	10/2003	Lai		D499,592 S *	12/2004	Sale, Jr. ....	D6/550
D481,235 S	10/2003	Gilbert		D501,110 S *	1/2005	Roberts et al. ....	D6/550
D482,758 S	11/2003	Bates et al.		D502,346 S *	3/2005	Berberet ....	D6/550
D493,993 S *	8/2004	Roberts et al. ....	D6/550	2003/0217410 A1	11/2003	Moore	
D494,455 S	8/2004	Winter et al.		2004/0255376 A1	12/2004	Moore	

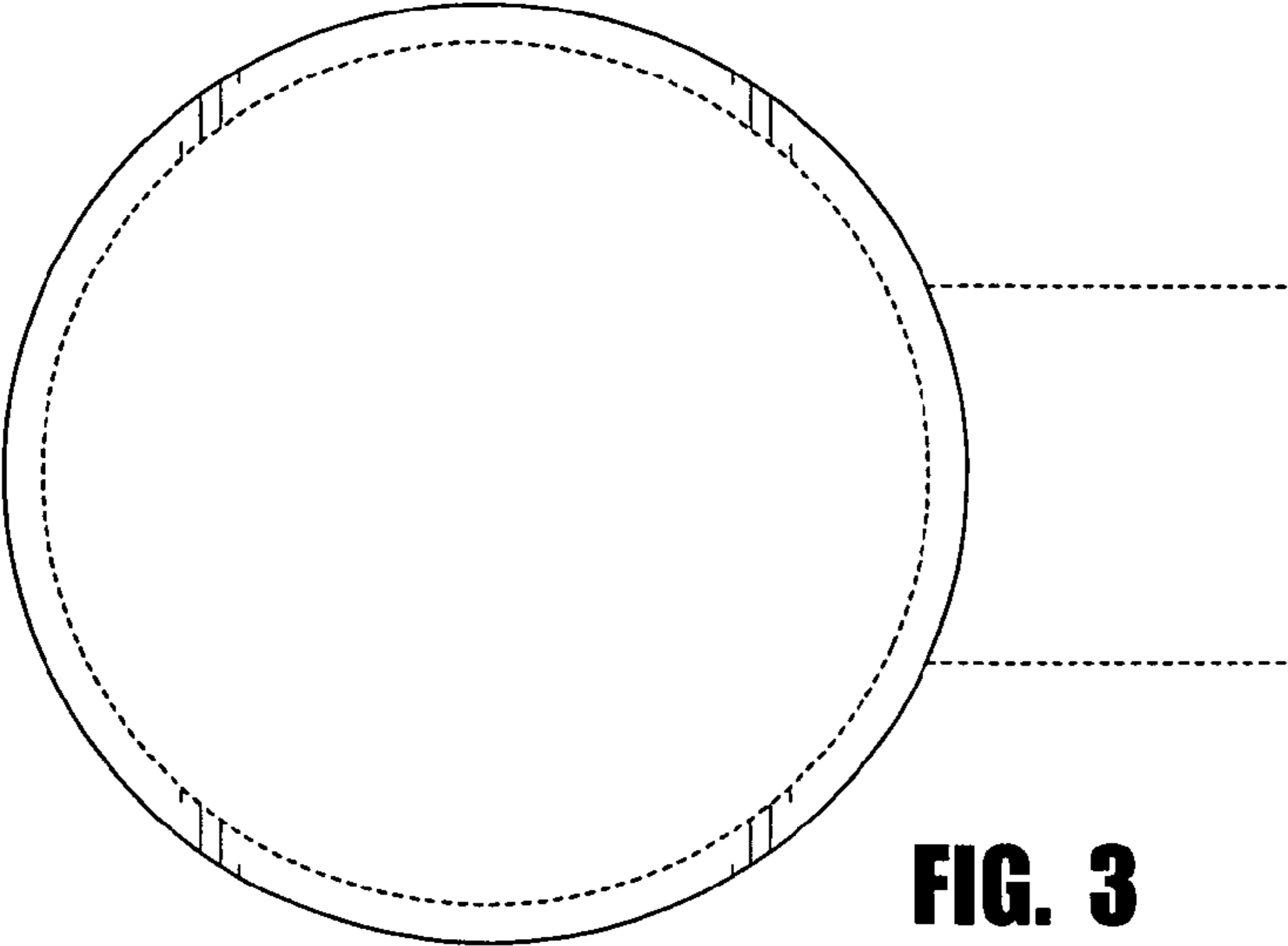
\* cited by examiner



**FIG. 1**



**FIG. 2**



**FIG. 3**

