

US00D543753S

(12) **United States Design Patent**
Gunderson

(10) **Patent No.:** **US D543,753 S**

(45) **Date of Patent:** **** Jun. 5, 2007**

(54) **TOWEL HOLDER**

(76) **Inventor:** **Ronald Gunderson**, 1750 Columbia Falls Stage, Columbia Falls, MT (US) 59912

(**) **Term:** **14 Years**

(21) **Appl. No.:** **29/228,517**

(22) **Filed:** **Apr. 22, 2005**

(51) **LOC (8) Cl.** **06-04**

(52) **U.S. Cl.** **D6/547**

(58) **Field of Classification Search** D6/546-550; D19/75, 86, 90-91; 211/88.04, 13.1; 248/309.1
See application file for complete search history.

(56) **References Cited**

U.S. PATENT DOCUMENTS

D123,482 S	8/1940	Kiebzak	
2,231,883 A	2/1941	Caccivio	
2,912,117 A *	11/1959	Clay	211/88.04
D202,766 S	11/1965	Abagoff	
D251,124 S *	2/1979	Takeuchi	D8/373
D302,506 S *	8/1989	Hammond et al.	D6/547
D313,522 S *	1/1991	Bingham	D6/547

D315,675 S *	3/1991	Kennedy et al.	D8/395
D329,345 S *	9/1992	Bush	D6/547
5,170,982 A	12/1992	Schultheis et al.	

* cited by examiner

Primary Examiner—Brian N Vinson
(74) *Attorney, Agent, or Firm*—Jean Kyle

(57) **CLAIM**

The ornamental design for a towel holder, as shown and described.

DESCRIPTION

FIG. 1 is a top perspective view of the towel holder showing my new design;

FIG. 2 is a bottom perspective view thereof;

FIG. 3 is a top plan view thereof;

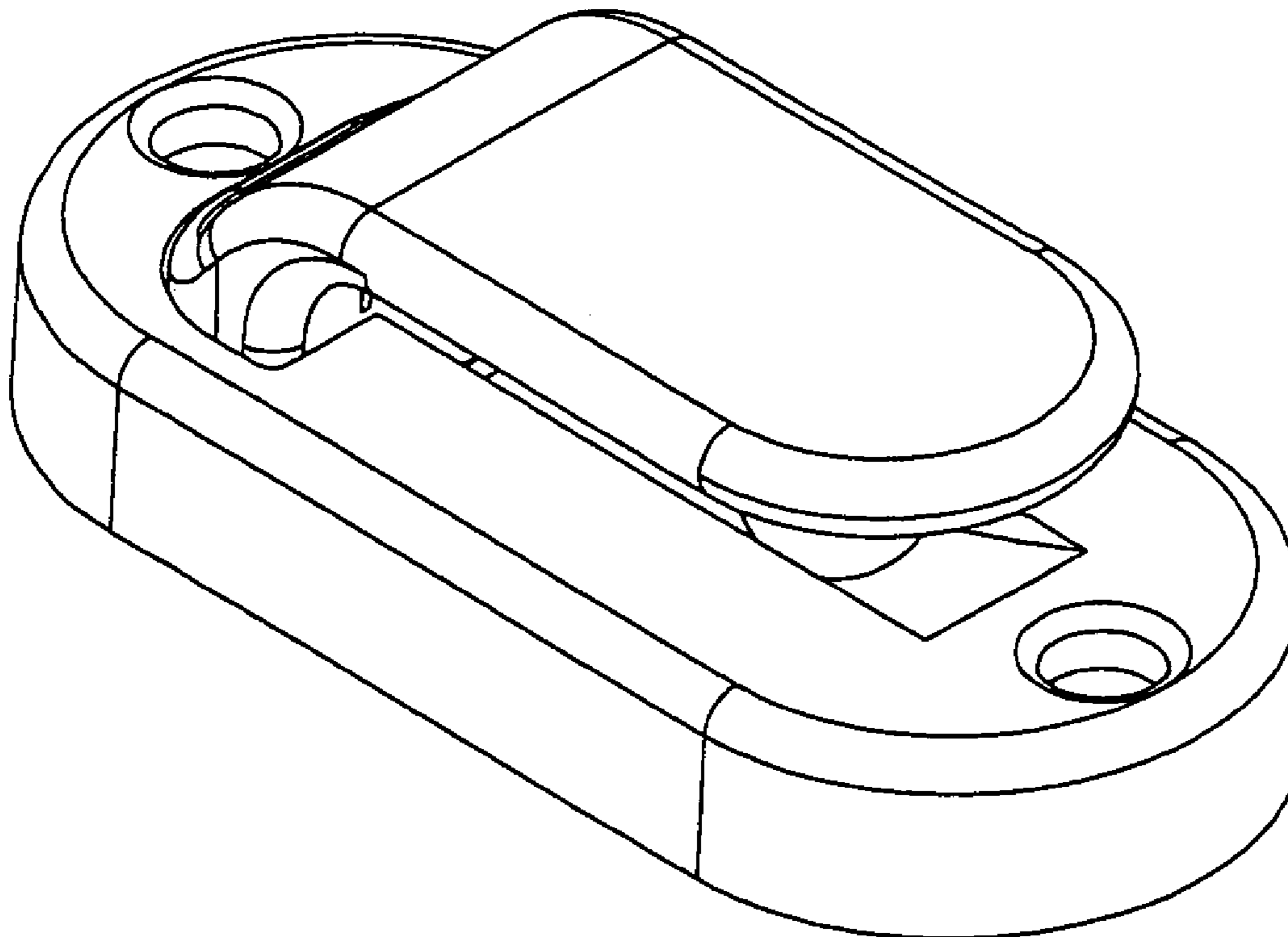
FIG. 4 is a left side elevational view thereof;

FIG. 5 is a front elevational view thereof;

FIG. 6 is a rear elevational view thereof; and,

FIG. 7 is a right side elevational view thereof.

1 Claim, 4 Drawing Sheets



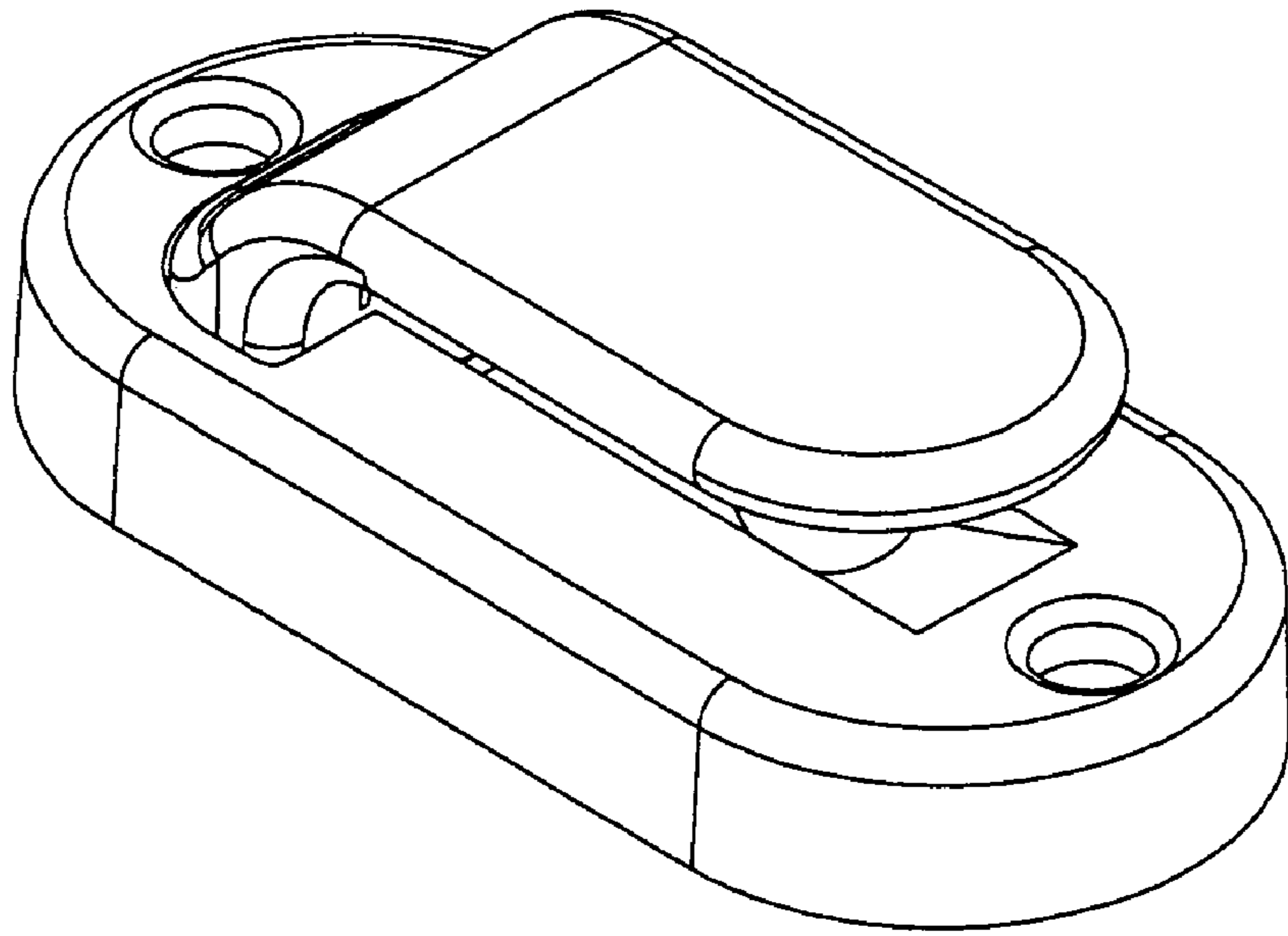


FIG. 1

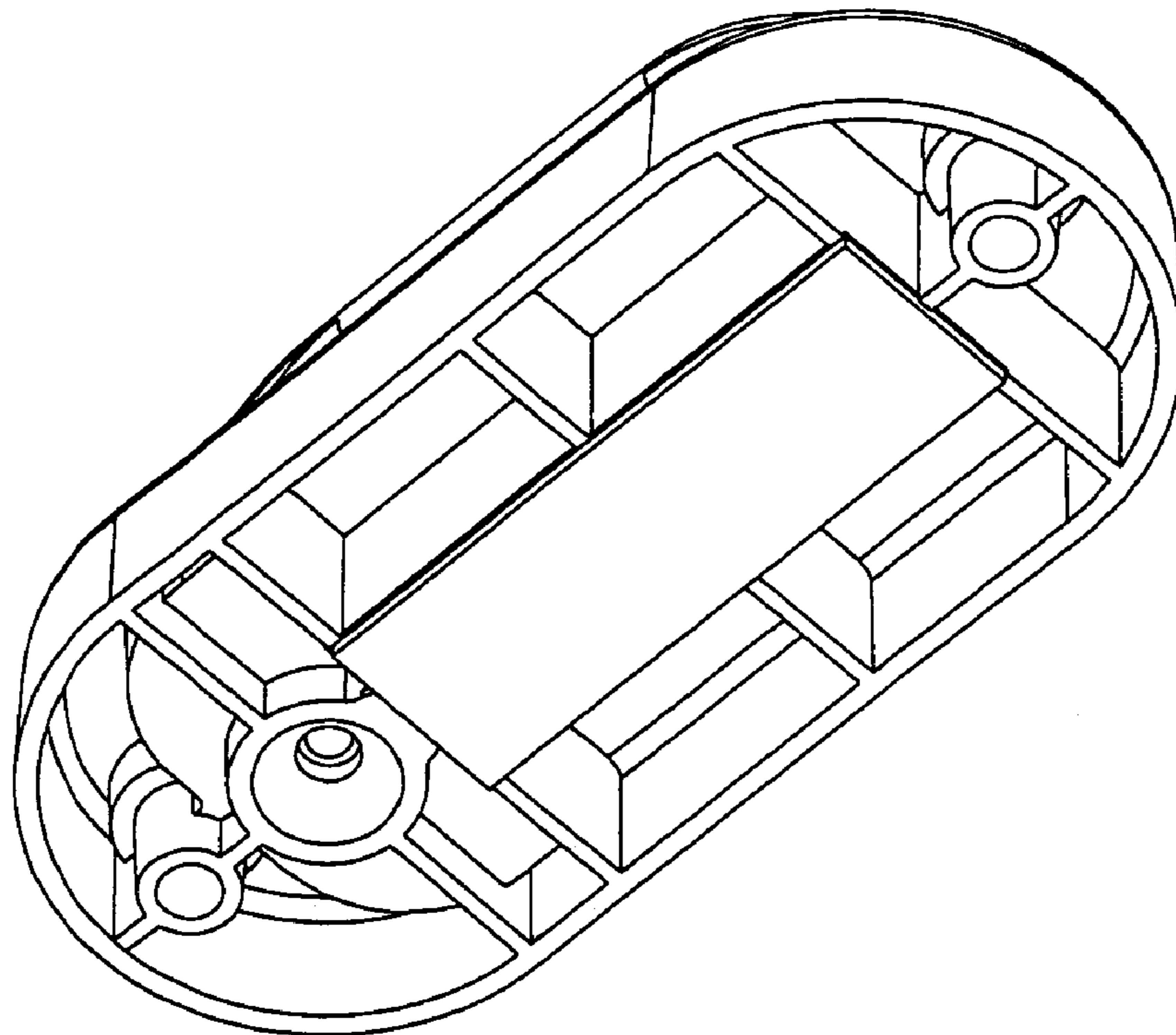


FIG. 2

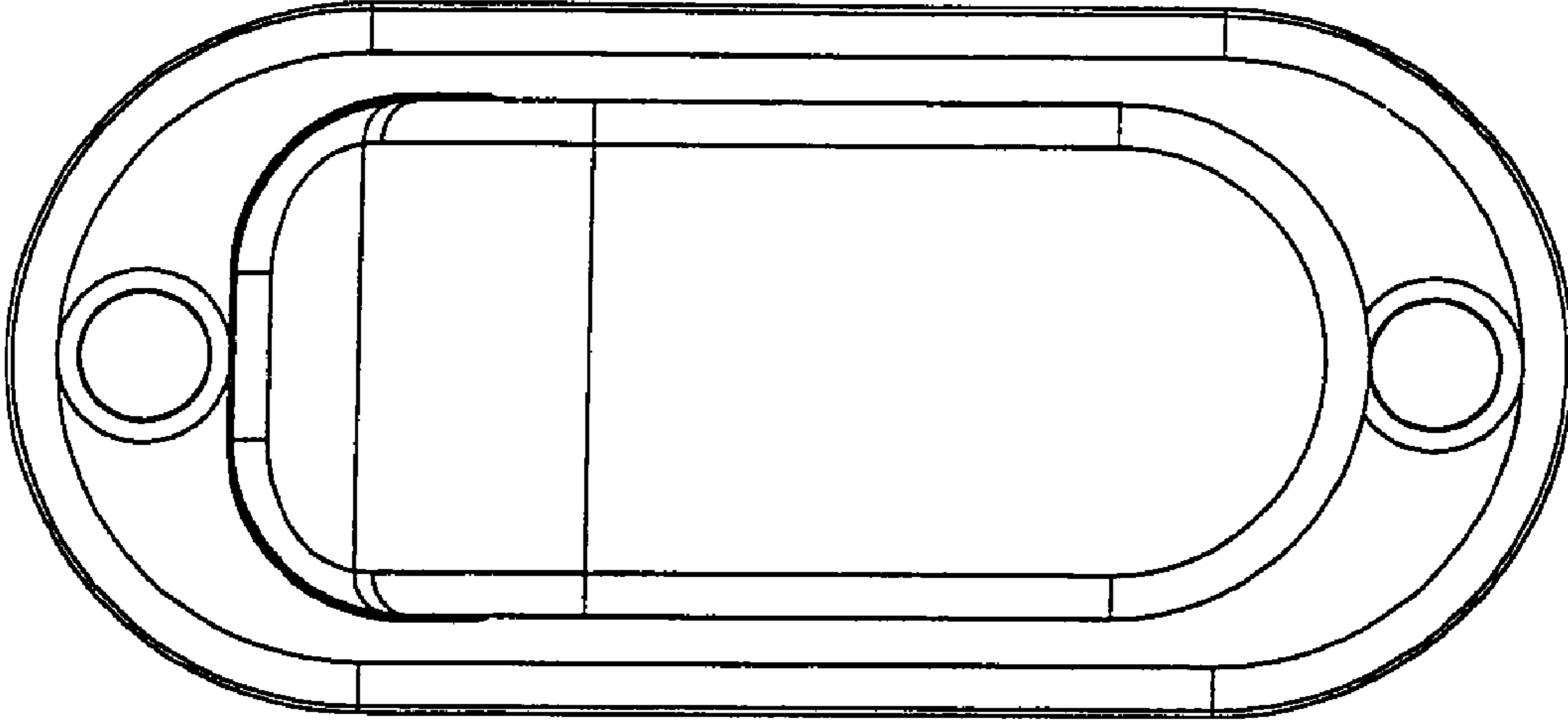


FIG. 3

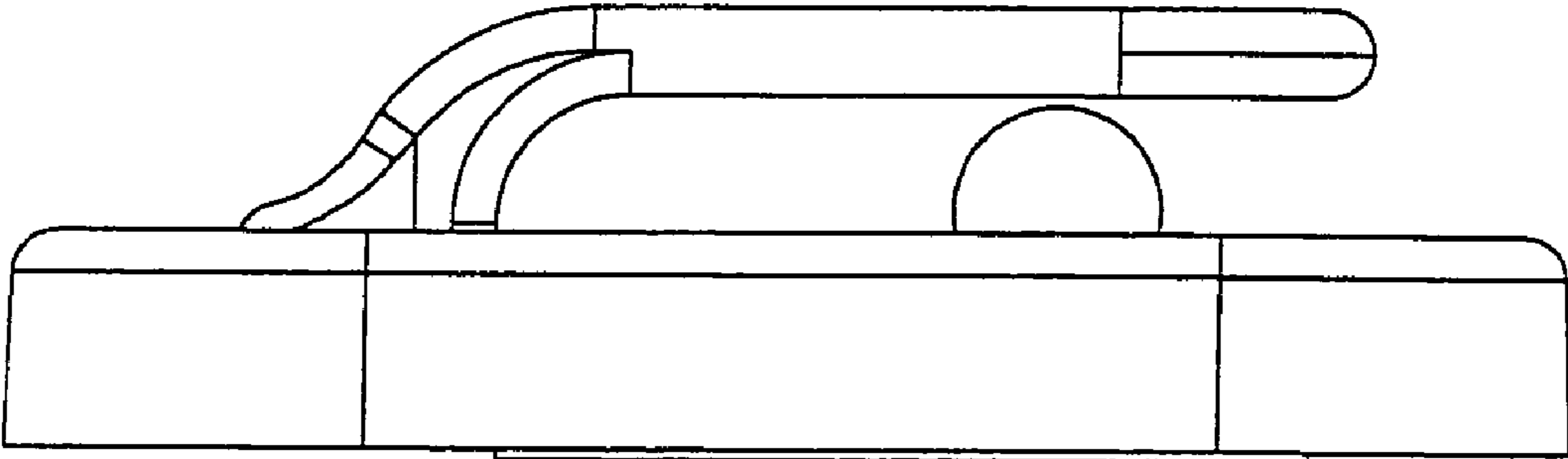


FIG. 4

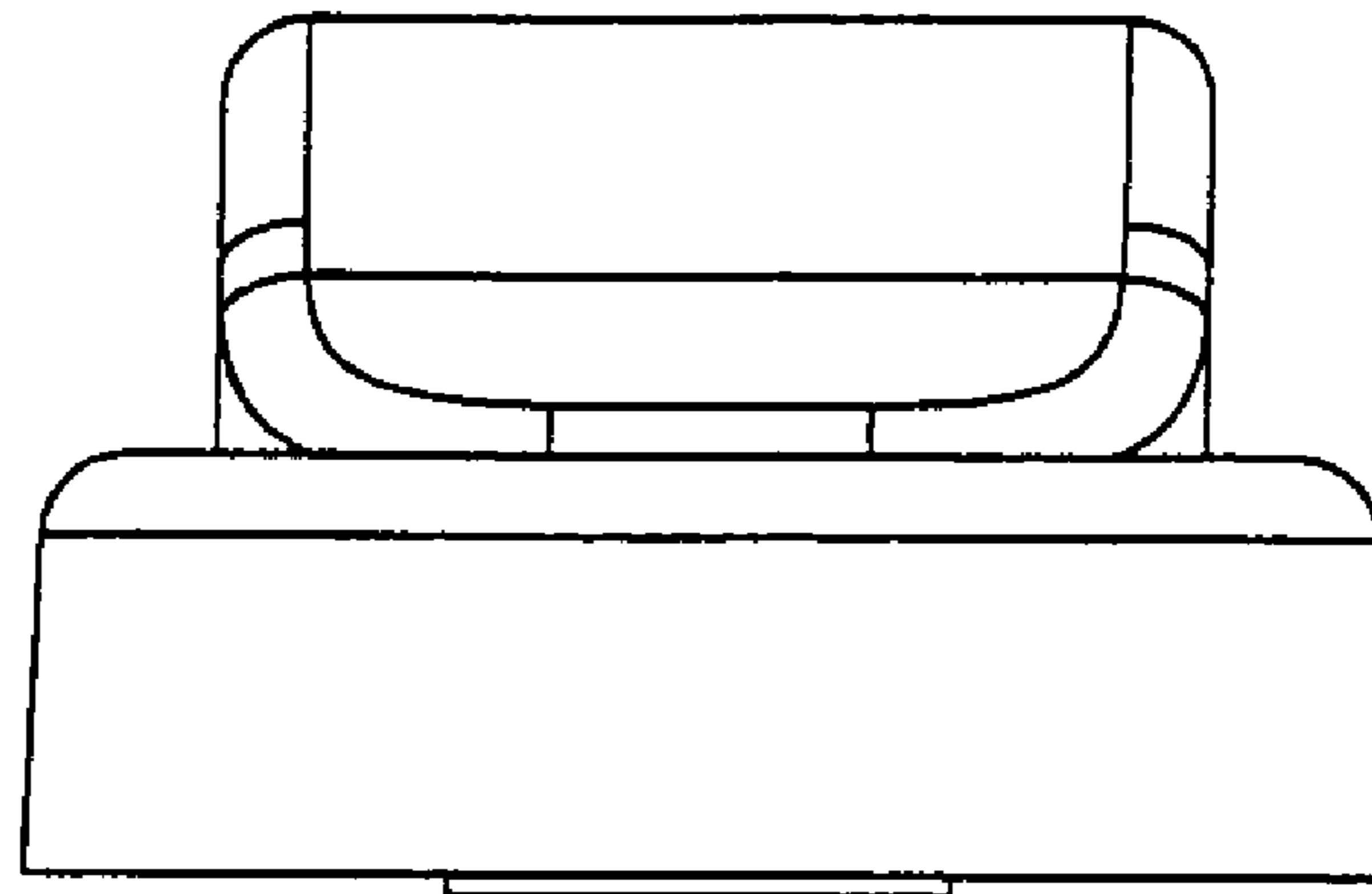


FIG. 5

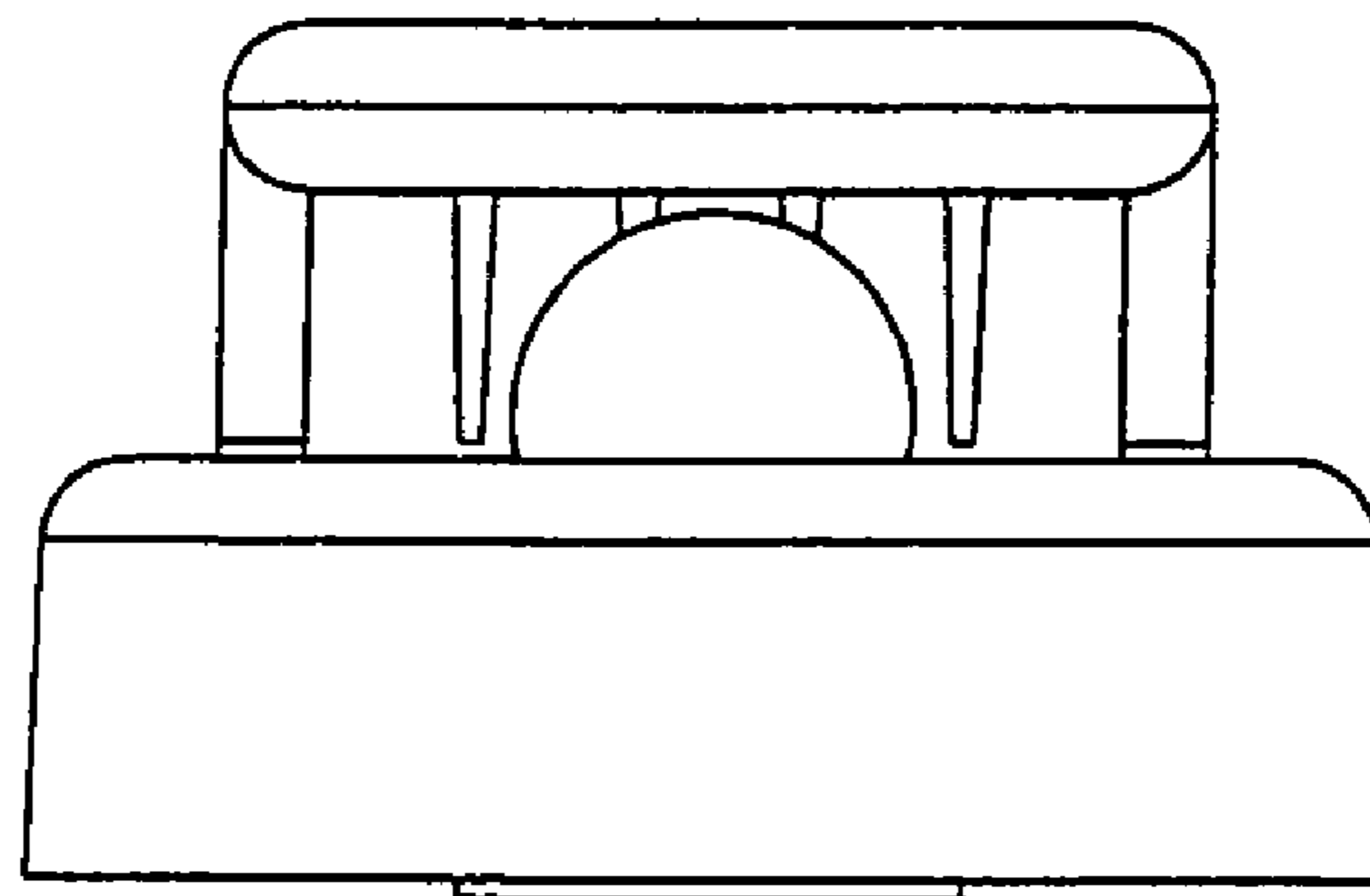


FIG. 6

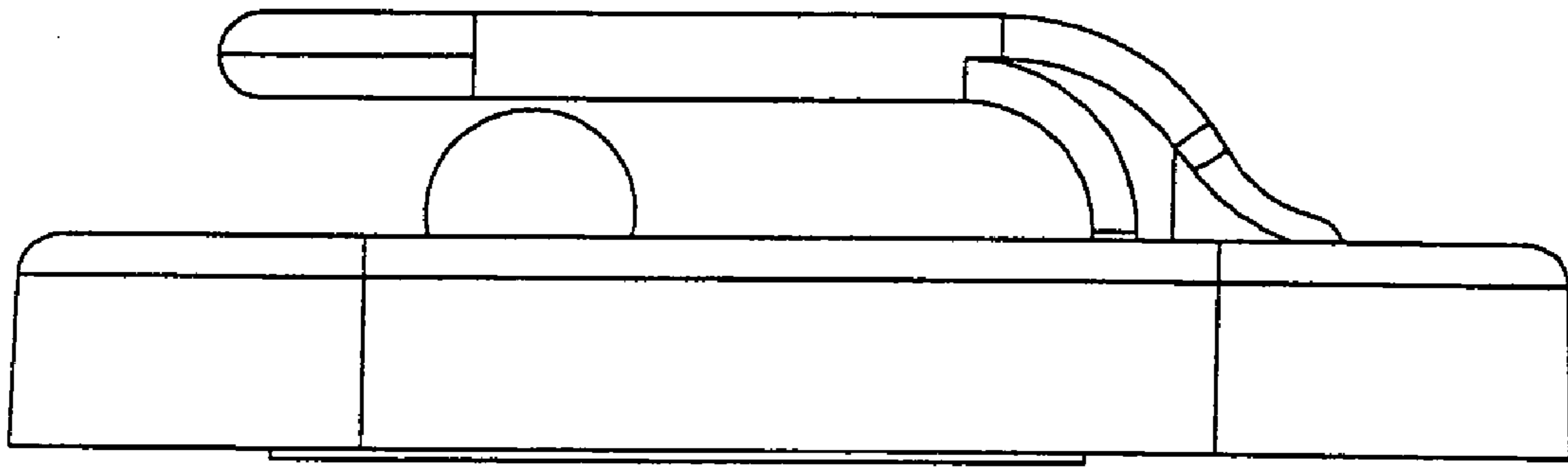


FIG. 7