

US00D543750S

(12) **United States Design Patent**
Hines

(10) **Patent No.:** **US D543,750 S**

(45) **Date of Patent:** **** Jun. 5, 2007**

(54) **TOOTHBRUSH HOLDER**

D478,230 S * 8/2003 Dretzka D6/534
D481,572 S * 11/2003 Dretzka D6/534

(76) Inventor: **Constance L. Hines**, 1927 E. Hampton Ave., #232, Mesa, AZ (US) 85204

* cited by examiner

(**) Term: **14 Years**

Primary Examiner—Brian N Vinson

(74) *Attorney, Agent, or Firm*—Harpman & Harpman

(21) Appl. No.: **29/265,924**

(57) **CLAIM**

(22) Filed: **Sep. 11, 2006**

The ornamental design for a toothbrush holder, as shown and described.

(51) **LOC (8) Cl.** **23-02**

(52) **U.S. Cl.** **D6/534**

(58) **Field of Classification Search** D6/524,
D6/534, 526–528; 206/208–209, 209.1,
206/228, 361, 362, 362.1, 362.3; 211/13.1,
211/65–66, 70.6

See application file for complete search history.

DESCRIPTION

(56) **References Cited**

U.S. PATENT DOCUMENTS

D286,349 S *	10/1986	Bussell	D6/534
4,978,003 A *	12/1990	Foster	206/361
D324,792 S *	3/1992	McElroy	D6/528
D336,398 S *	6/1993	Shafer	D6/534
D423,266 S *	4/2000	Ludwig	D6/534
D439,781 S *	4/2001	Spore	D6/534
D468,945 S *	1/2003	Dretzka	D6/534

FIG. 1 is a perspective view of my ornamental design for a toothbrush holder;

FIG. 2 is a front elevational view thereof;

FIG. 3 is a rear elevational view thereof;

FIG. 4 is a right side elevational view thereof;

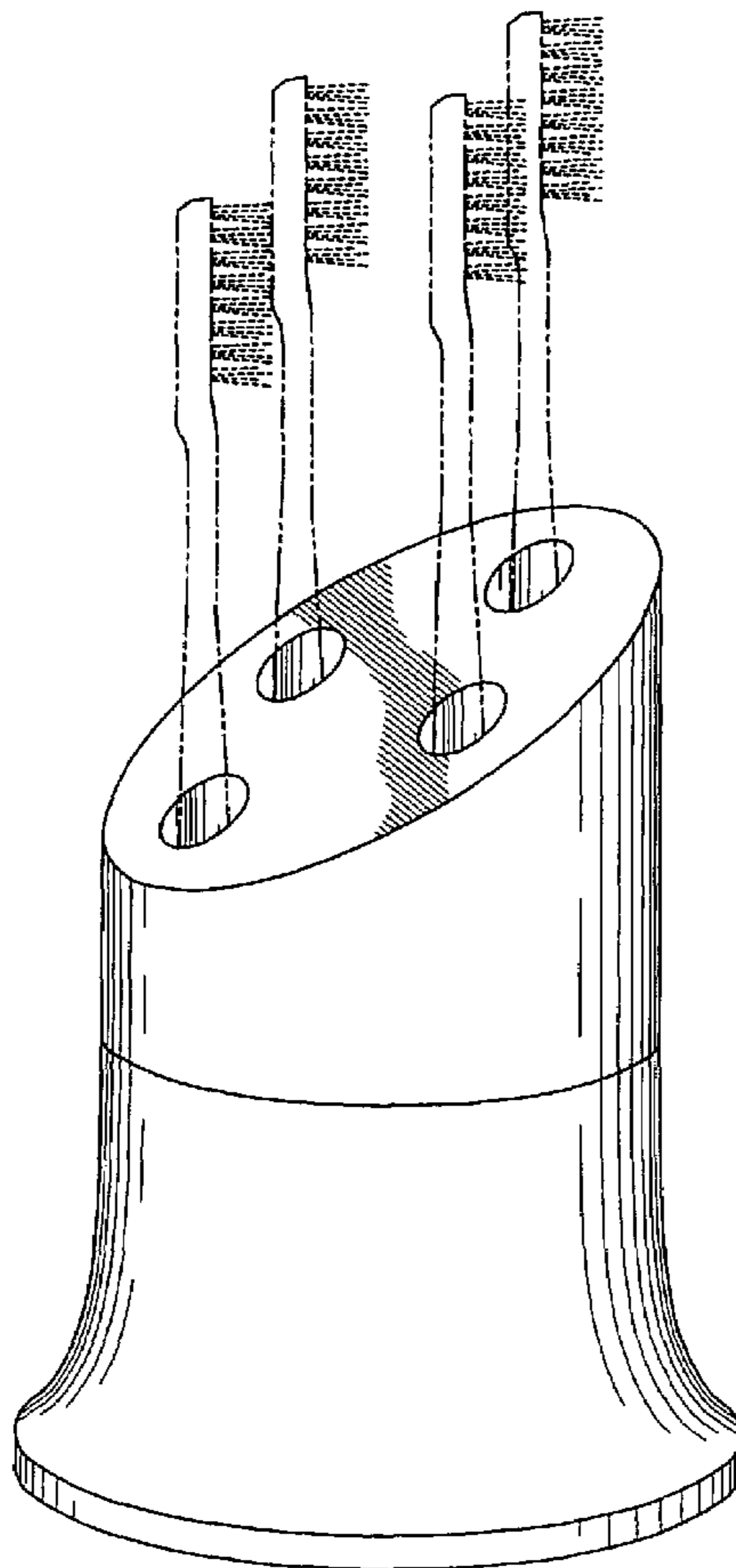
FIG. 5 is a left side elevational view thereof;

FIG. 6 is a top plan view thereof; and,

FIG. 7 is a bottom plan view thereof.

The broken-line disclosure in the views is for illustrative purposes only and forms no part of the claimed design.

1 Claim, 4 Drawing Sheets



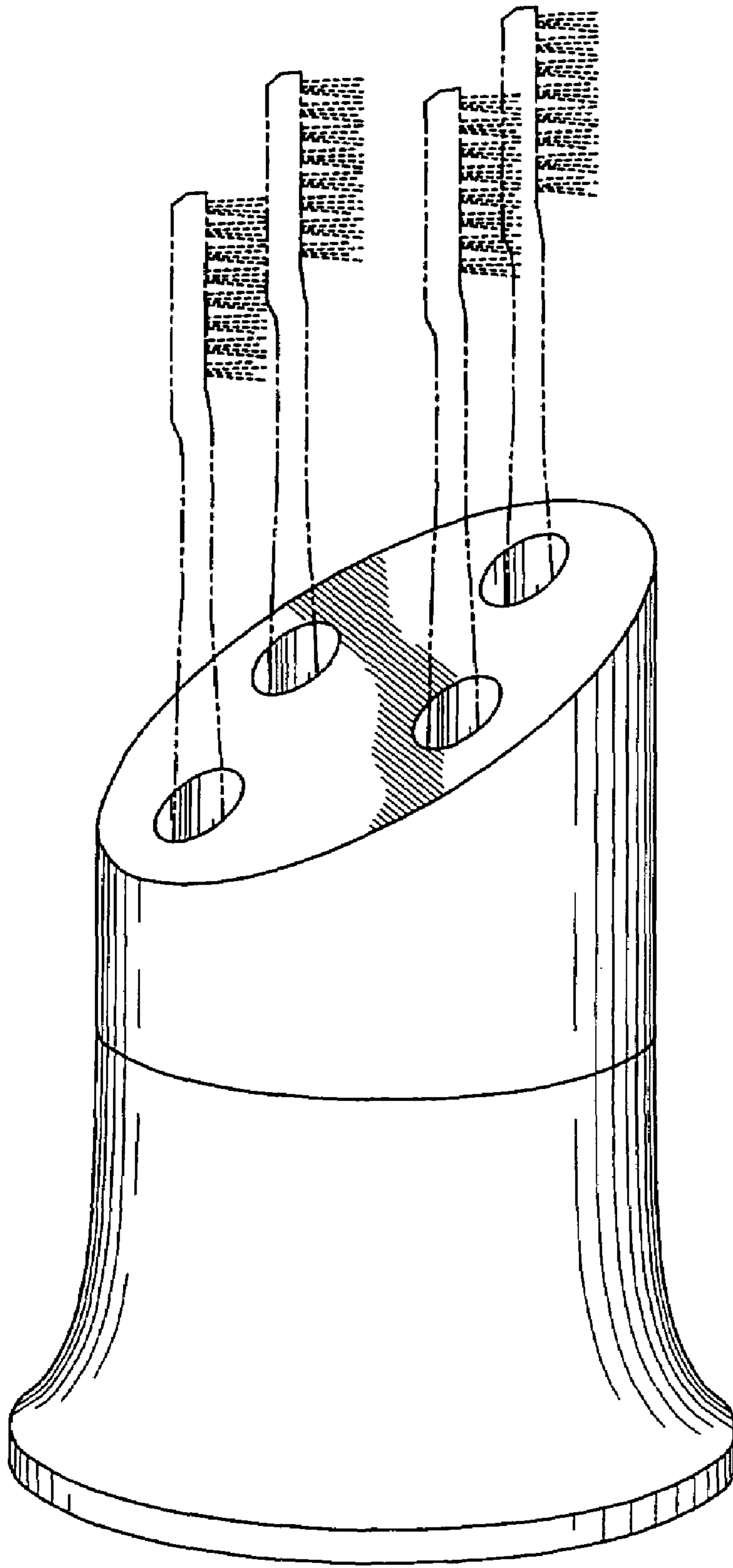


Fig. 1

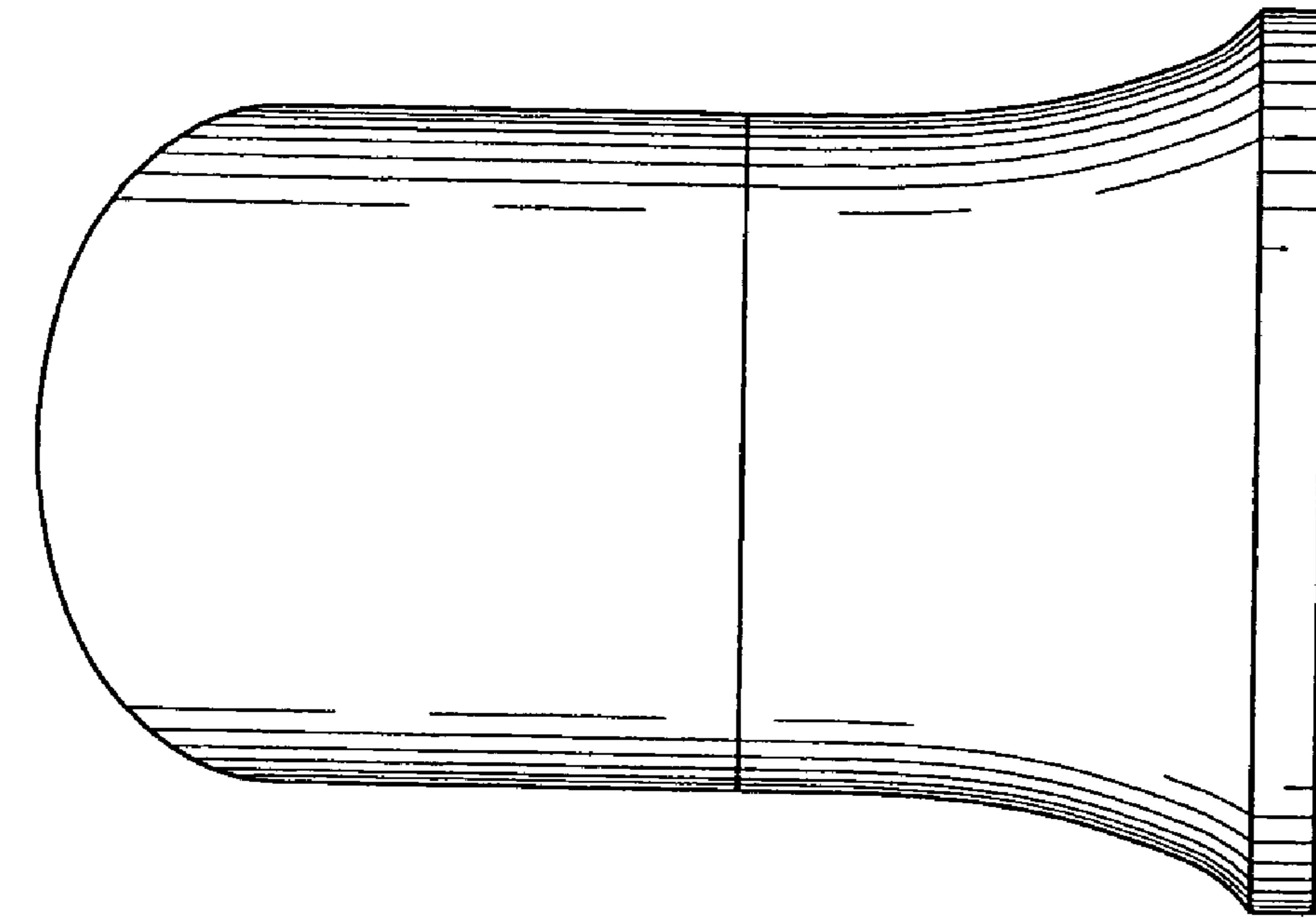


Fig. 3

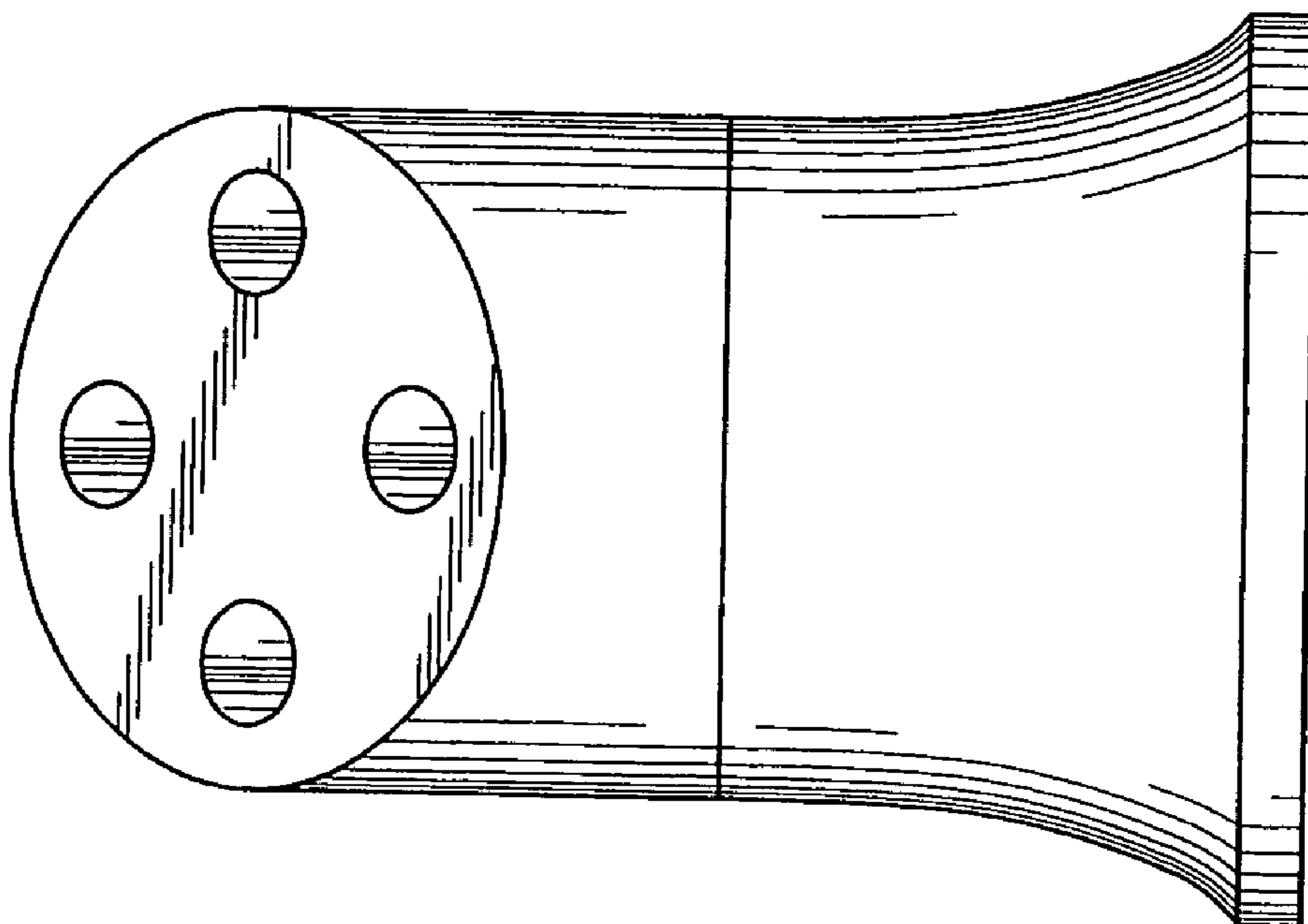


Fig. 2

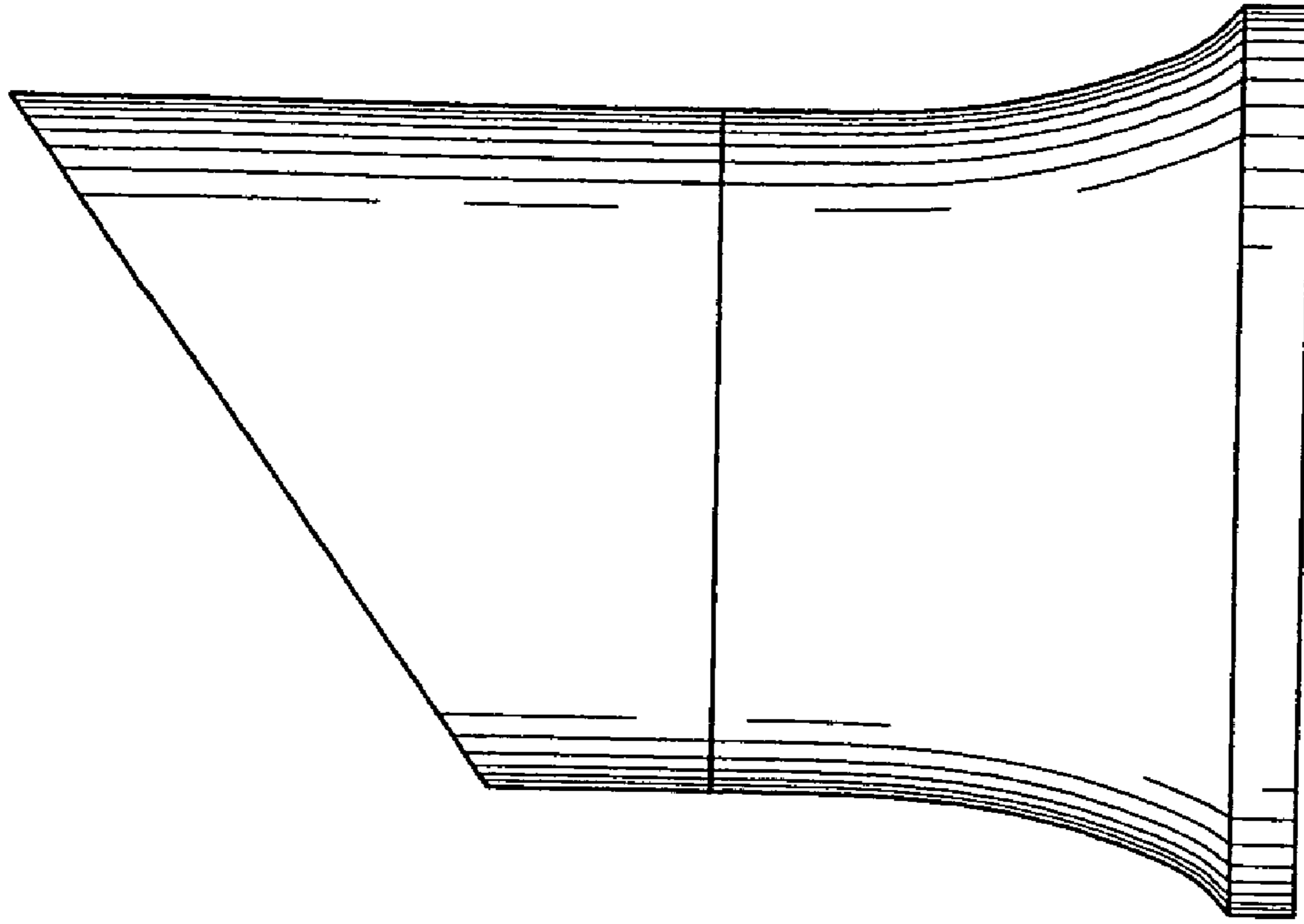


Fig. 4

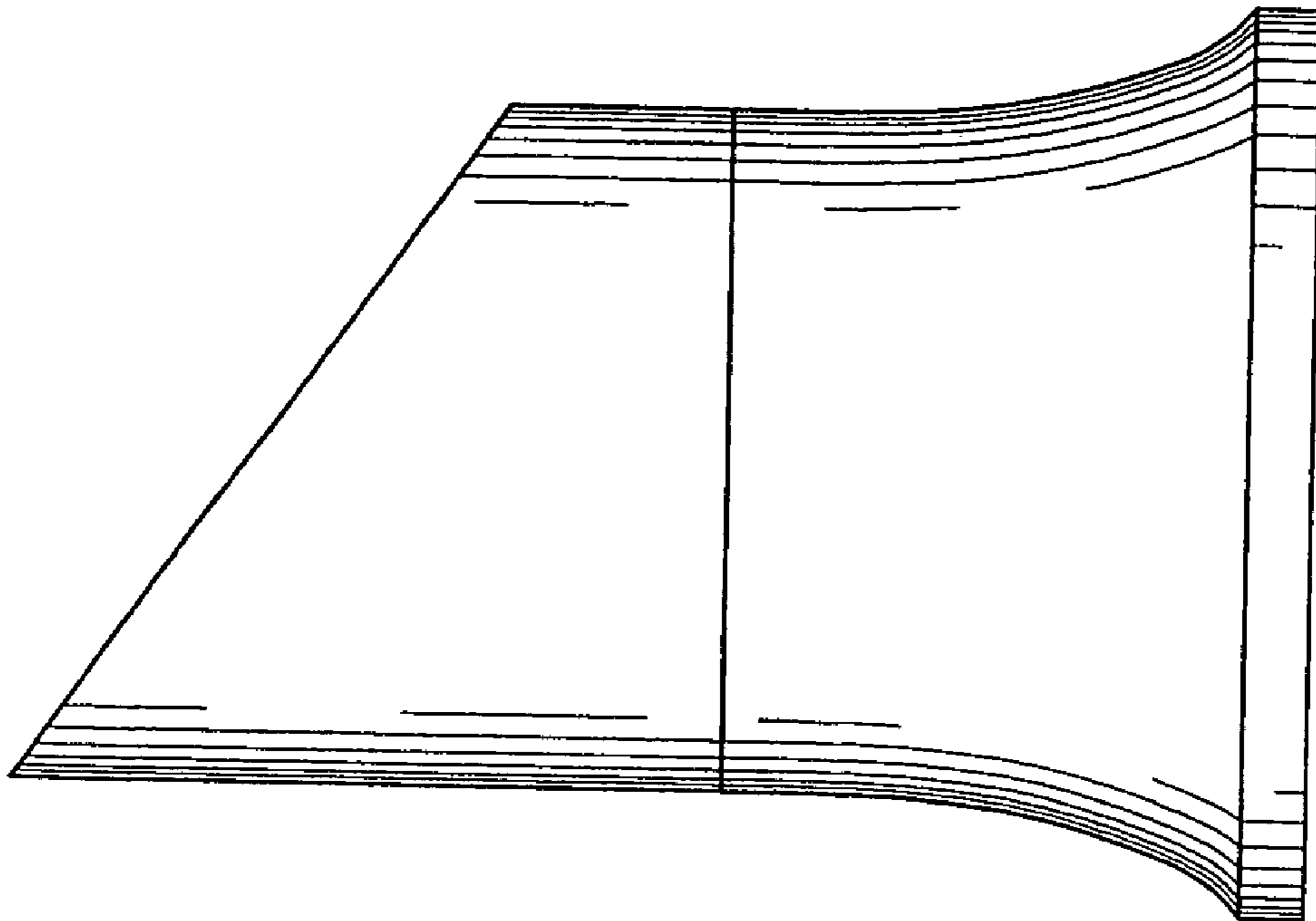


Fig. 5

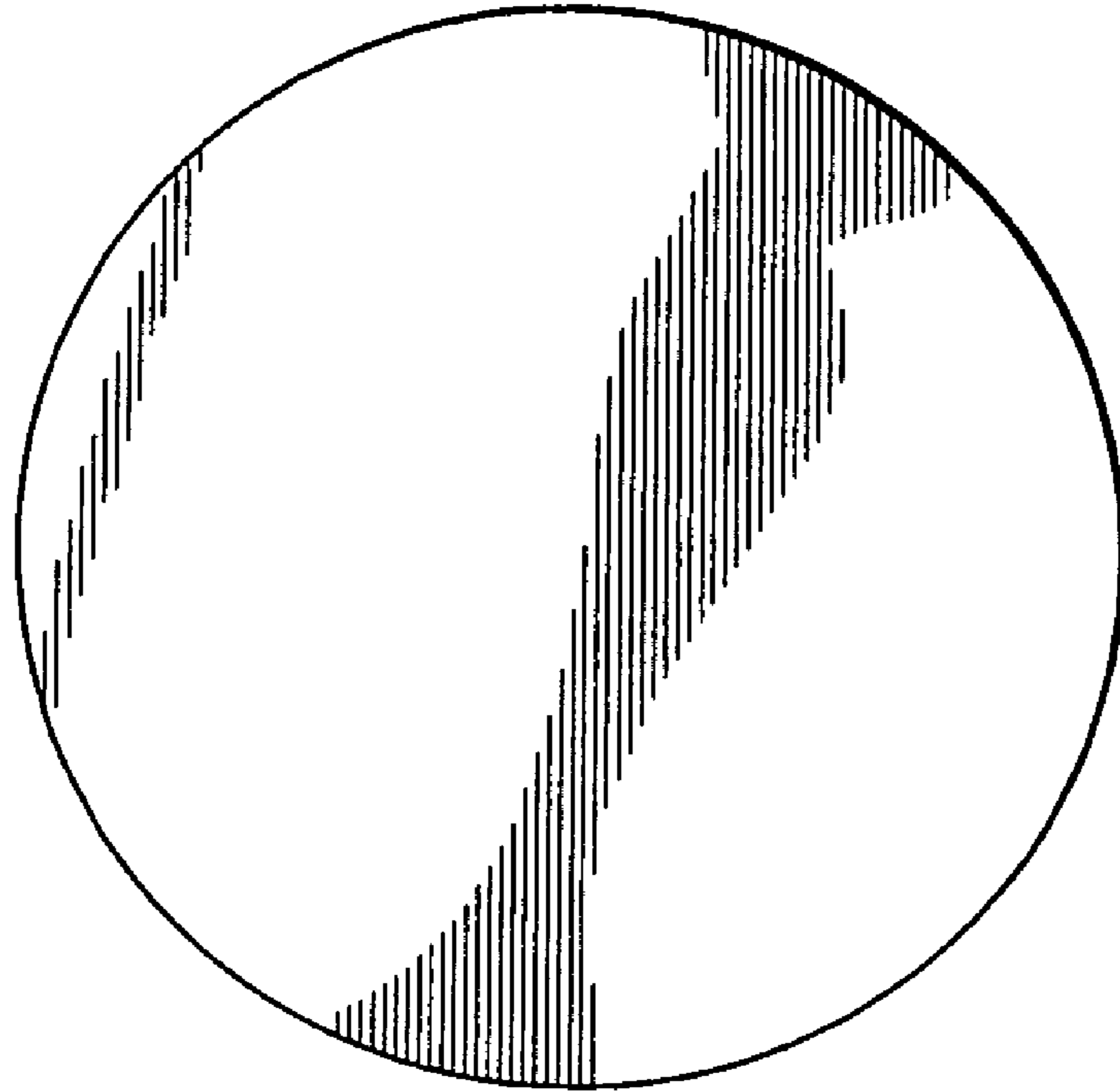


Fig. 7

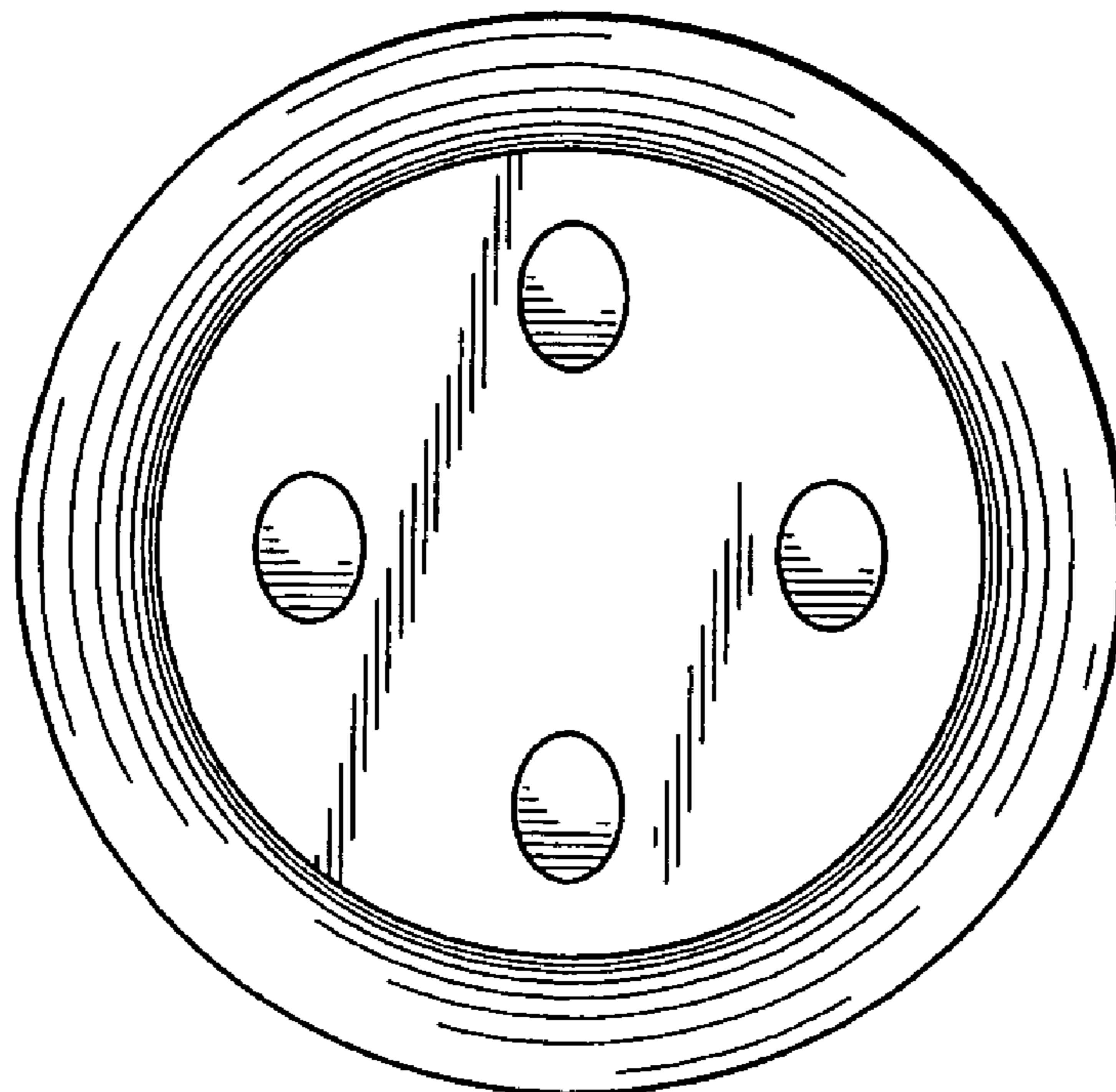


Fig. 6