



US00D543747S

(12) **United States Design Patent**
Harwanko

(10) **Patent No.:** **US D543,747 S**

(45) **Date of Patent:** **** Jun. 5, 2007**

(54) **POLE CADDY**

(75) Inventor: **Jeffrey Harwanko**, Wilmington, DE
(US)

(73) Assignee: **Zenith Products Corp.**, New Castle,
DE (US)

(**) Term: **14 Years**

(21) Appl. No.: **29/224,532**

(22) Filed: **Mar. 3, 2005**

(51) **LOC (8) Cl.** **06-02**

(52) **U.S. Cl.** **D6/525**

(58) **Field of Classification Search** D6/524,
D6/525, 562; 108/59; 211/13.1, 86.01, 87.01,
211/88.01, 126.1, 106, 134, 126.9, 153, 182
See application file for complete search history.

(56) **References Cited**

U.S. PATENT DOCUMENTS

- D274,201 S * 6/1984 Aaron D6/525
- D351,751 S * 10/1994 Brightbill et al. D6/525
- D382,751 S * 8/1997 Andrus D6/525

- D419,020 S * 1/2000 Emery et al. D6/562
- D444,017 S * 6/2001 Walker D6/562
- D451,743 S * 12/2001 Henderson et al. D6/562
- D475,562 S * 6/2003 Suero, Jr. D6/525

* cited by examiner

Primary Examiner—Brian N Vinson

(74) *Attorney, Agent, or Firm*—Akin Gump Strauss Hauer &
Feld LLP

(57) **CLAIM**

The ornamental design for a pole caddy, as shown and
described.

DESCRIPTION

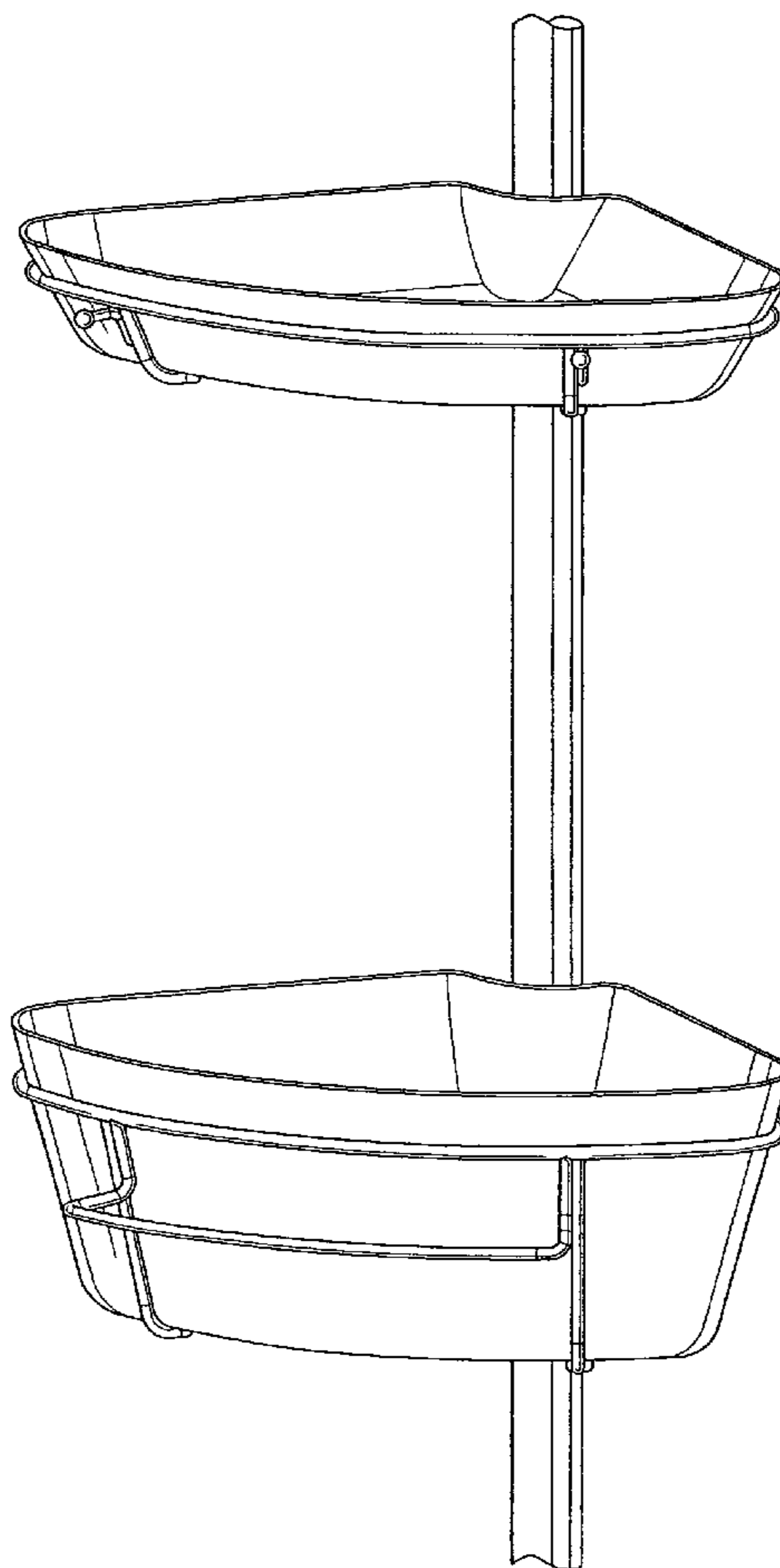
FIG. 1 is a perspective view of a pole caddy showing my
new design;

FIG. 2 is a front elevational view thereof;

FIG. 3 is a left side view thereof, the opposite side being a
mirror image of the side shown; and,

FIG. 4 is a top plan view thereof.

1 Claim, 4 Drawing Sheets



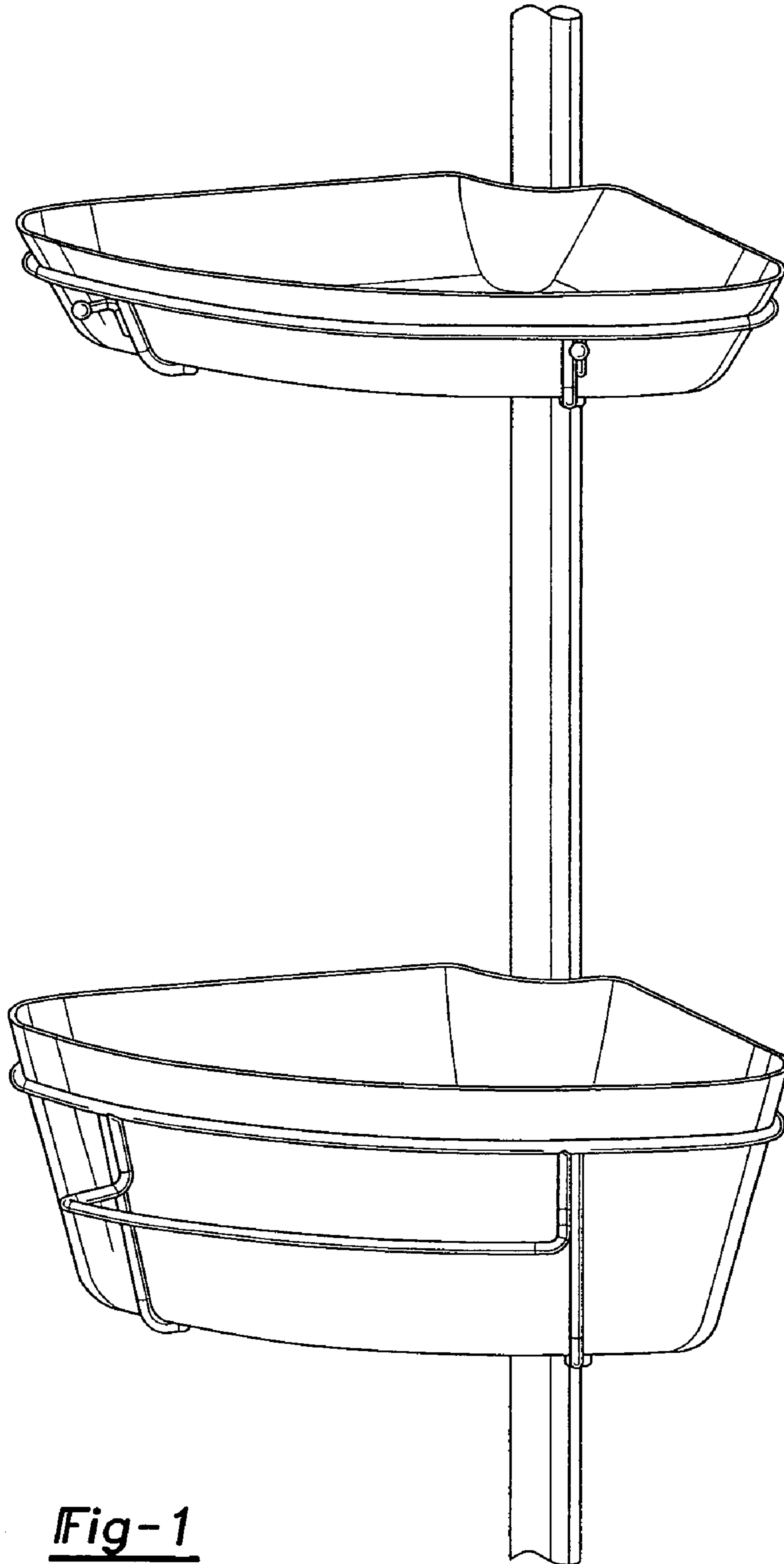


Fig-1

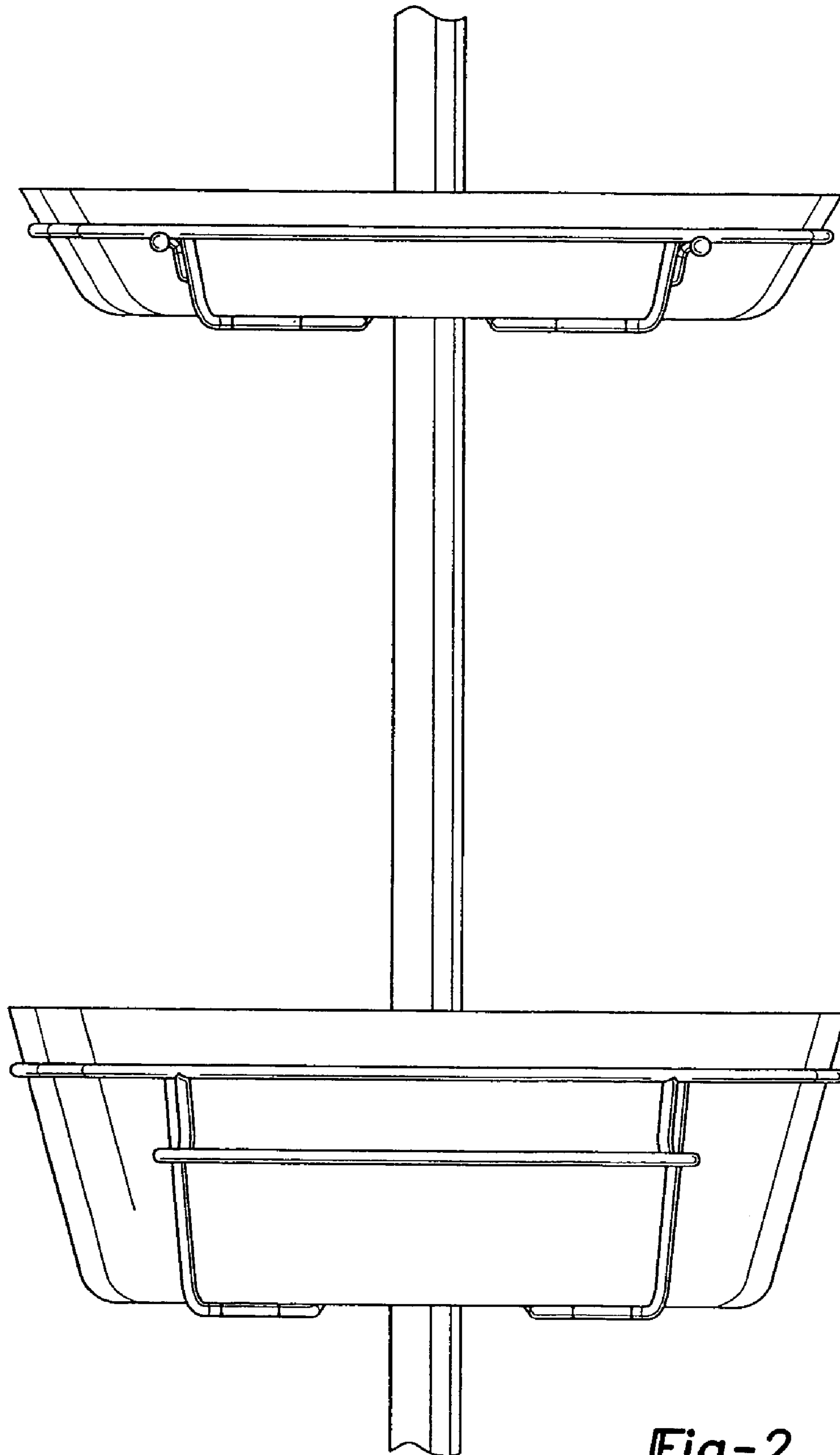


Fig-2

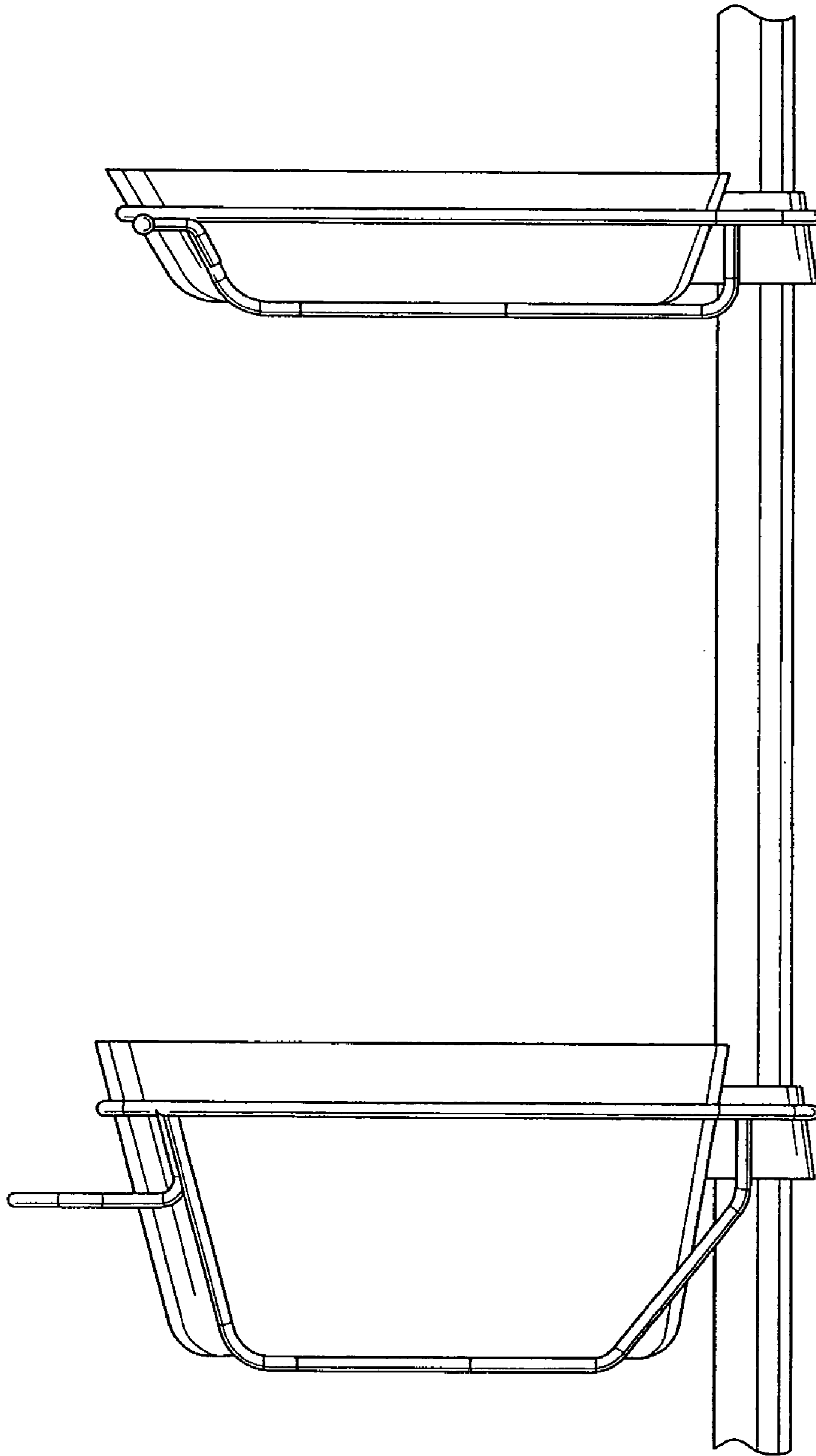


Fig-3

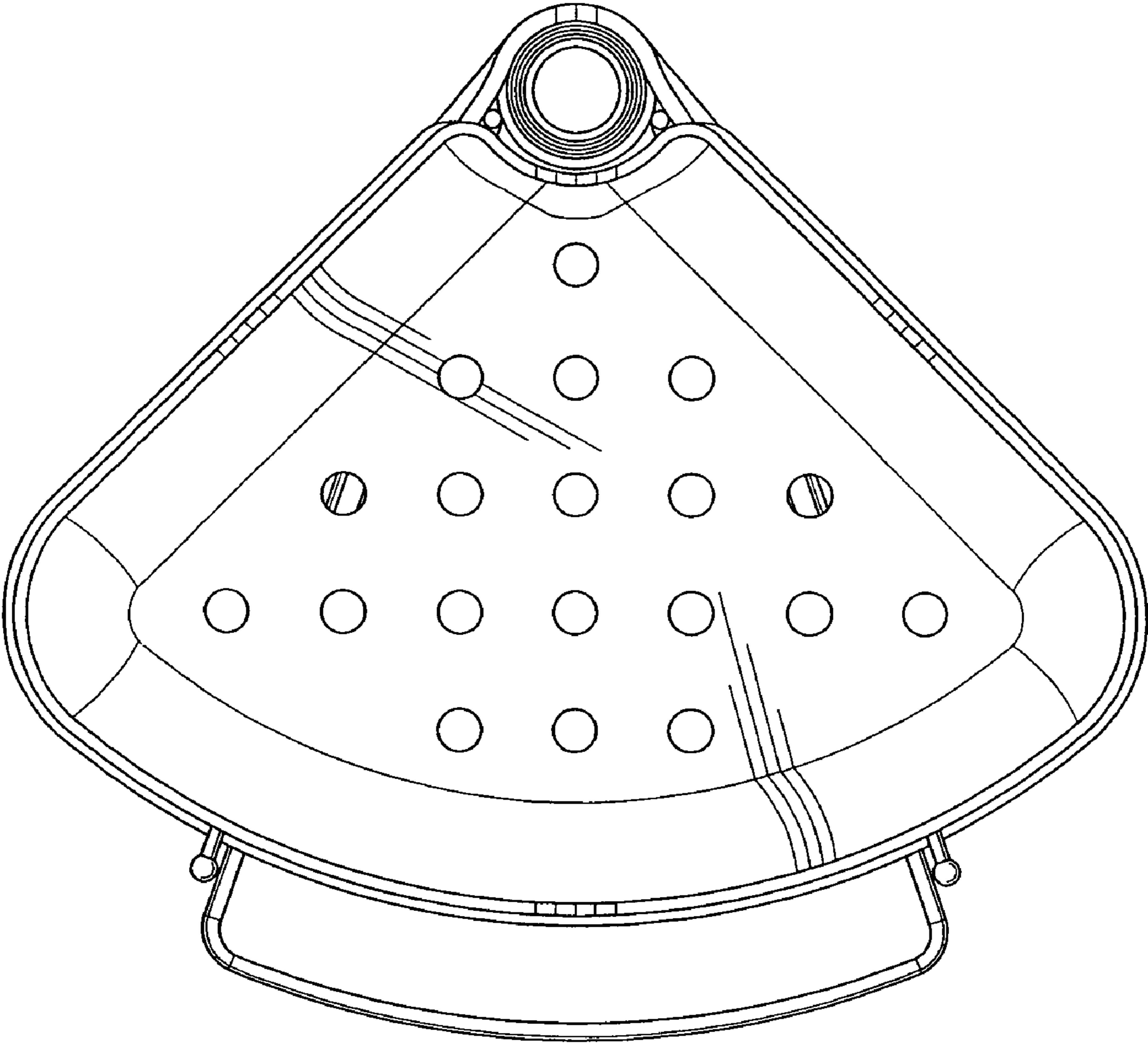


Fig-4