

US00D543746S

(12) **United States Design Patent** (10) **Patent No.:** **US D543,746 S**
Gilbert et al. (45) **Date of Patent:** **** Jun. 5, 2007**

(54) **POST**
(75) Inventors: **Christopher Jon Gilbert**, Moreland Hills, OH (US); **Jennifer Sedwick**, Lakewood, OH (US)
(73) Assignee: **Moen Incorporated**, North Olmsted, OH (US)
(**) Term: **14 Years**
(21) Appl. No.: **29/224,656**
(22) Filed: **Mar. 4, 2005**
(51) **LOC (8) Cl.** **23-02**
(52) **U.S. Cl.** **D6/524**
(58) **Field of Classification Search** D6/546-550, D6/518-519, 522-524; D8/300, 303, 315-321, D8/354, 363, 373, 380; 108/28-29; 211/13.1, 211/16, 60.1, 86.01, 87.01, 88.01, 88.04, 211/100, 105.1-105.2, 123, 126.1, 133.6, 211/134, 181.1, 182; 248/175, 176.1, 200, 248/251, 302, 309.1; 16/110.1, 412, 415; 242/570, 590, 595-598; 206/389, 557
See application file for complete search history.

D417,995 S 12/1999 Chen
D422,824 S 4/2000 Moore et al.
D424,354 S 5/2000 Duggan
D435,288 S 12/2000 Milrud et al.
D436,275 S 1/2001 Lai
D451,738 S * 12/2001 Yeh D6/550
D452,402 S 12/2001 Chen
D455,309 S * 4/2002 Hoernig D6/550
D459,445 S 6/2002 Mullenmeister
D465,266 S 11/2002 Singtoroj
D466,746 S 12/2002 Chen
D467,109 S 12/2002 Yegyayan et al.
D474,930 S 5/2003 Lai
D481,235 S * 10/2003 Gilbert D6/524
D488,943 S 4/2004 Bates
D492,523 S * 7/2004 Graves et al. D6/524
D497,302 S 10/2004 Bates
D497,752 S 11/2004 Roberts, III et al.

* cited by examiner

Primary Examiner—Brian N Vinson
(74) *Attorney, Agent, or Firm*—Calfee, Halter & Griswold LLP

(57) **CLAIM**

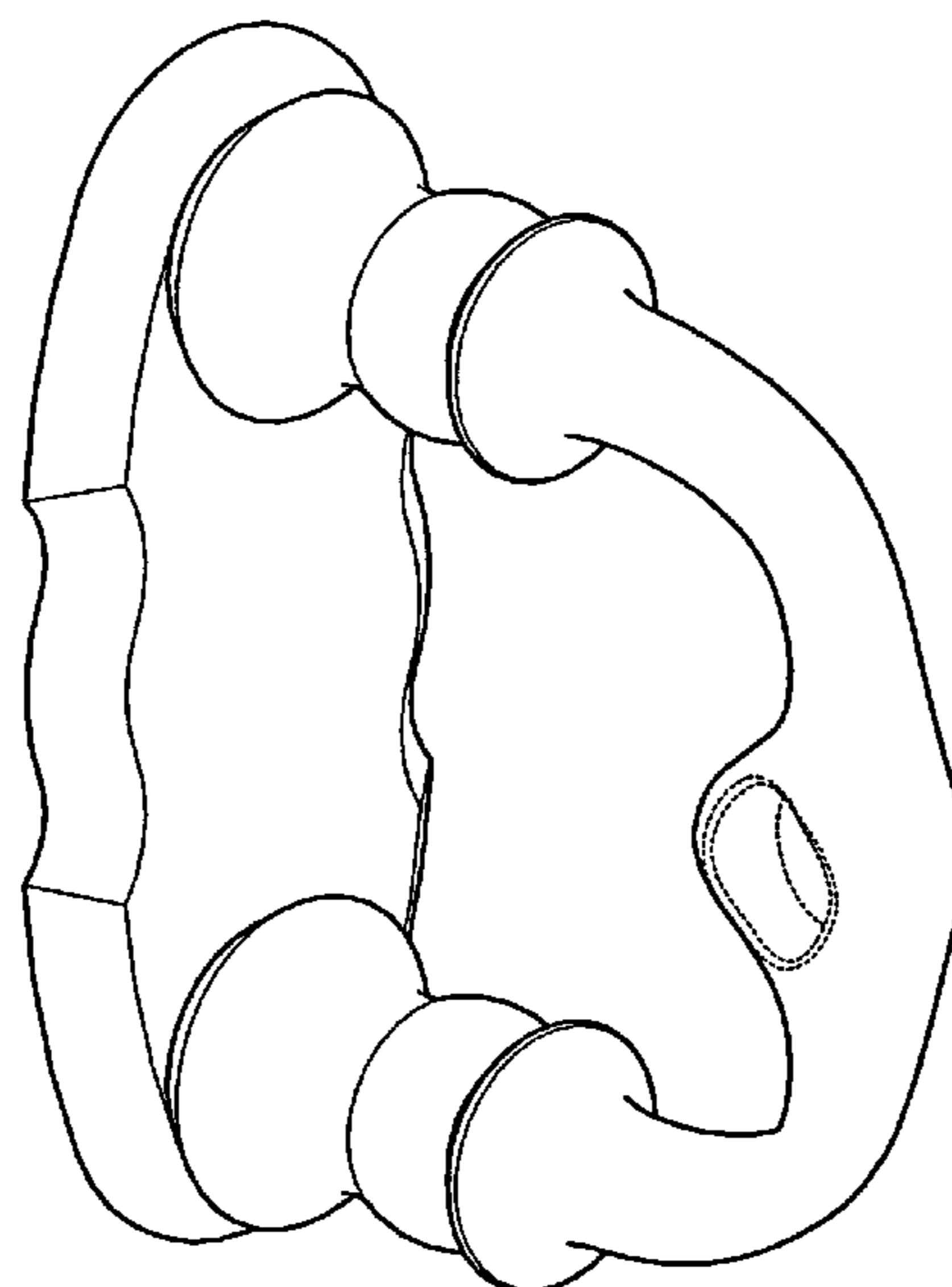
The ornamental design for a post, as shown and described.

DESCRIPTION

FIG. 1 is a perspective view of a post of the new design; FIG. 2 is a front elevational view of the post of FIG. 1; FIG. 3 is a rear elevational view of the post of FIG. 1; FIG. 4 is a left side elevational view of the post of FIG. 1; FIG. 5 is a right side elevational view of the post of FIG. 1; FIG. 6 is a top plan view of the post of FIG. 1; and, FIG. 7 is a bottom plan view of the post of FIG. 1. The portions of the Figures shown in broken lines are not part of the claimed design but are for illustration only.

1 Claim, 5 Drawing Sheets

(56) **References Cited**
U.S. PATENT DOCUMENTS
D155,168 S * 9/1949 Kiehl D6/550
D225,822 S 1/1973 James
D246,434 S 11/1977 Ridgway et al.
D246,502 S 11/1977 Clayton
D246,503 S 11/1977 Clayton
D251,544 S 4/1979 Tegner
D337,230 S 7/1993 Wang
D375,011 S * 10/1996 Lee D6/550
D398,515 S 9/1998 Whyte
D407,931 S 4/1999 Sweetman
D408,188 S 4/1999 Kuo
D408,669 S 4/1999 Kuo



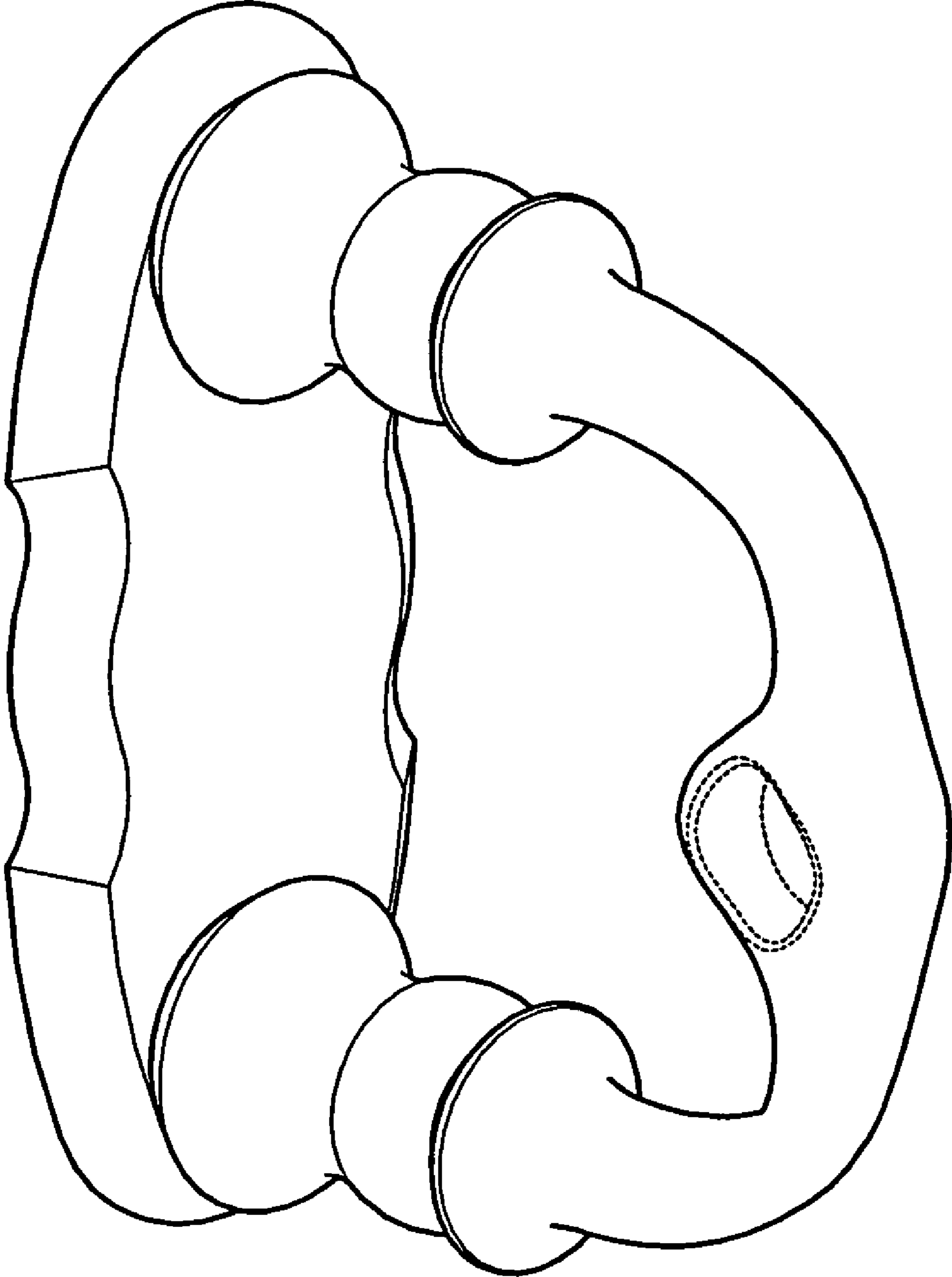


FIG. 1

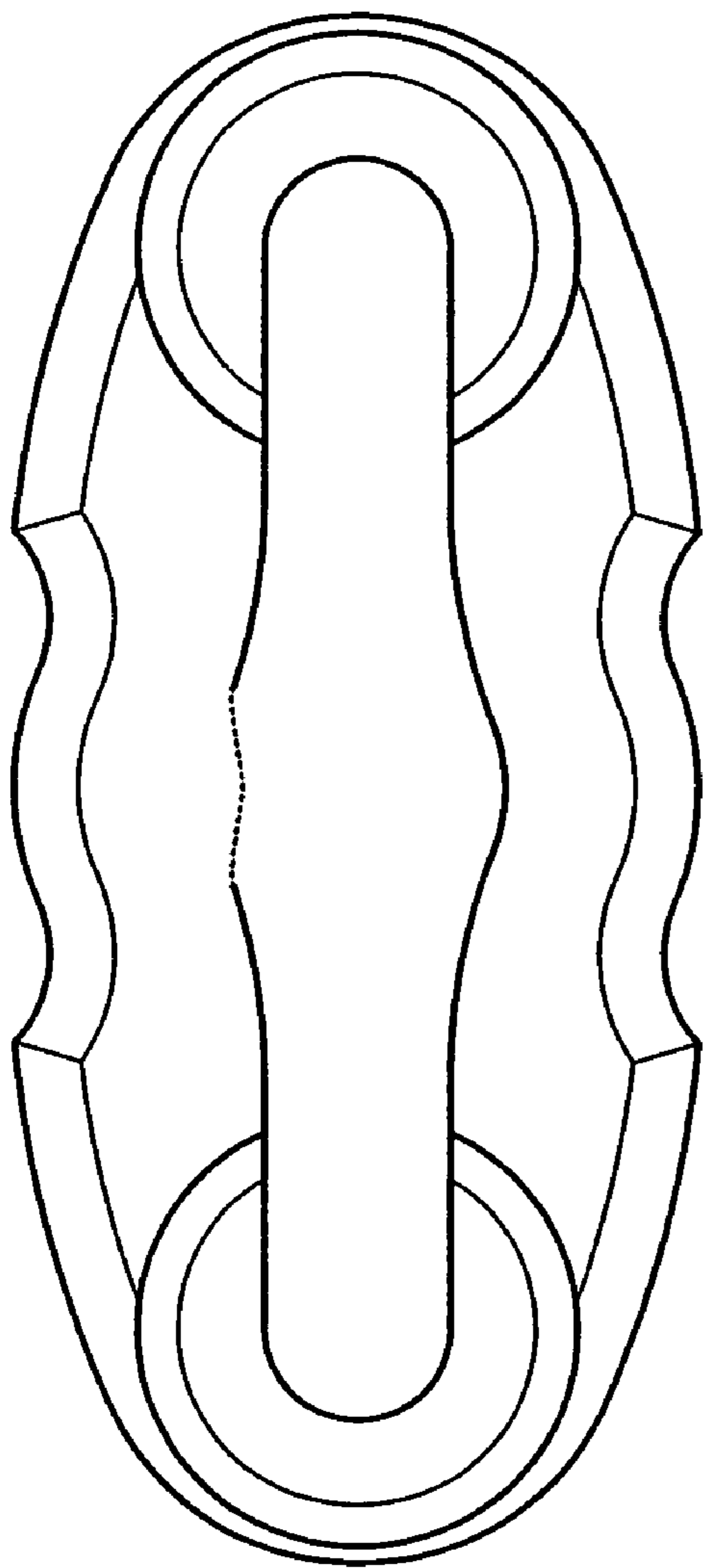


FIG. 2

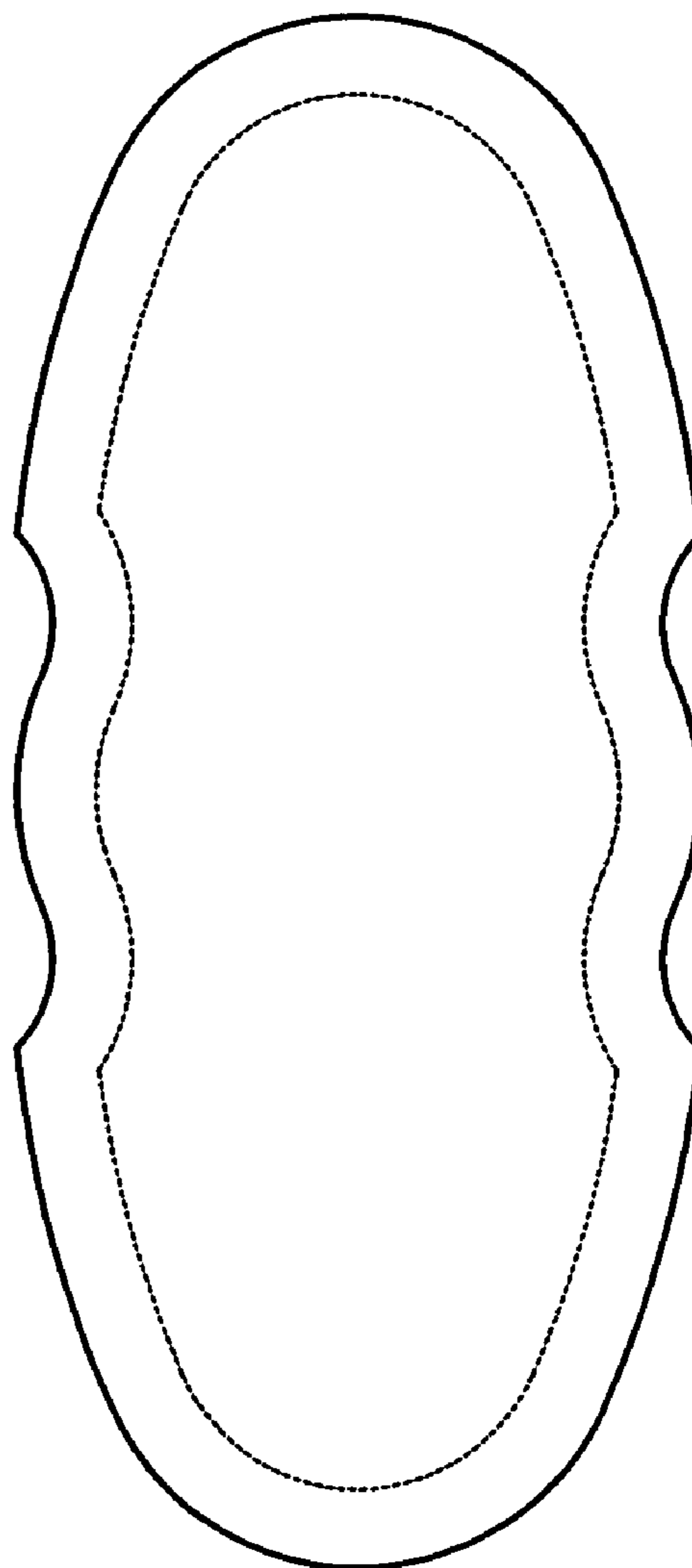


FIG. 3

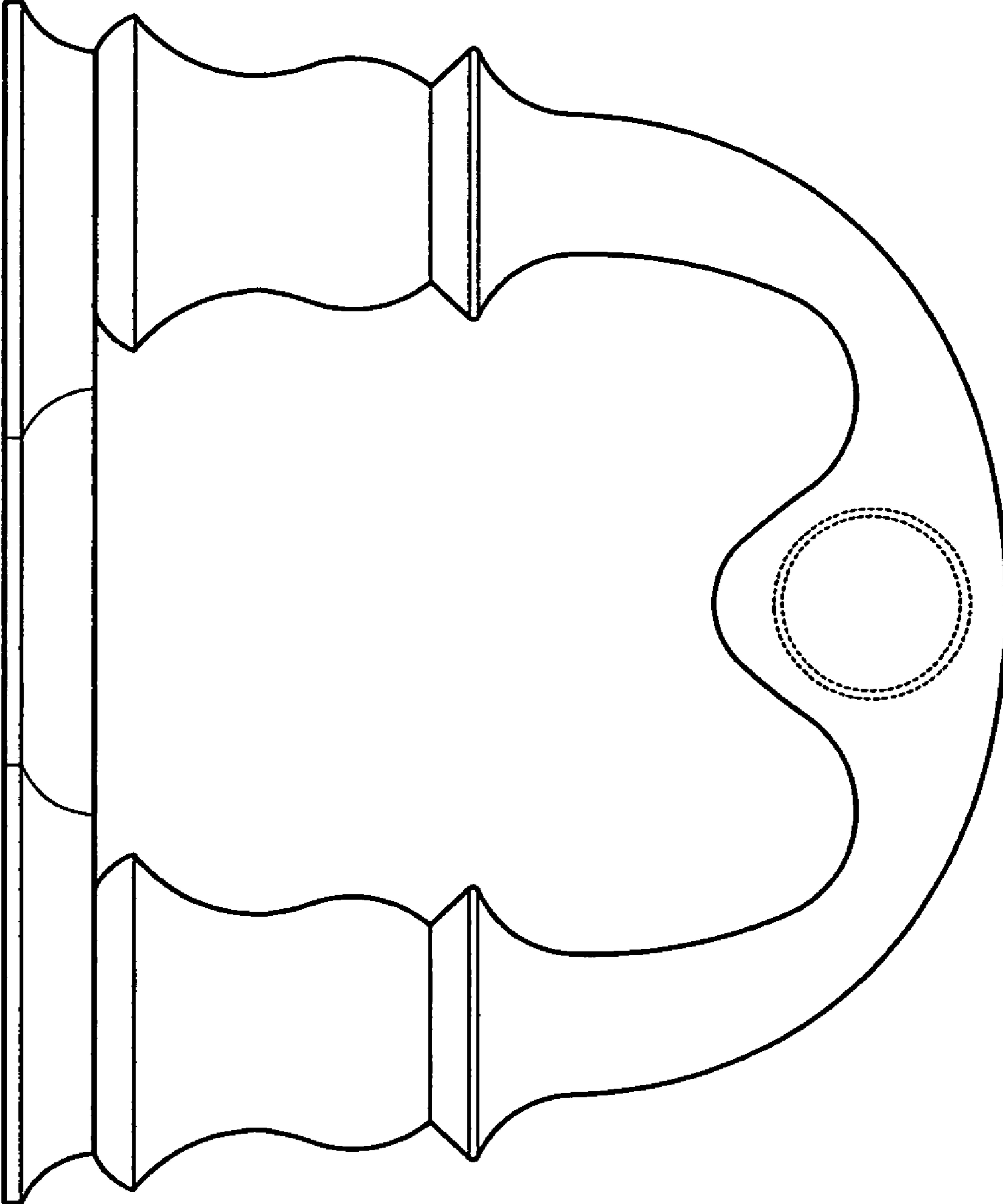


FIG. 4

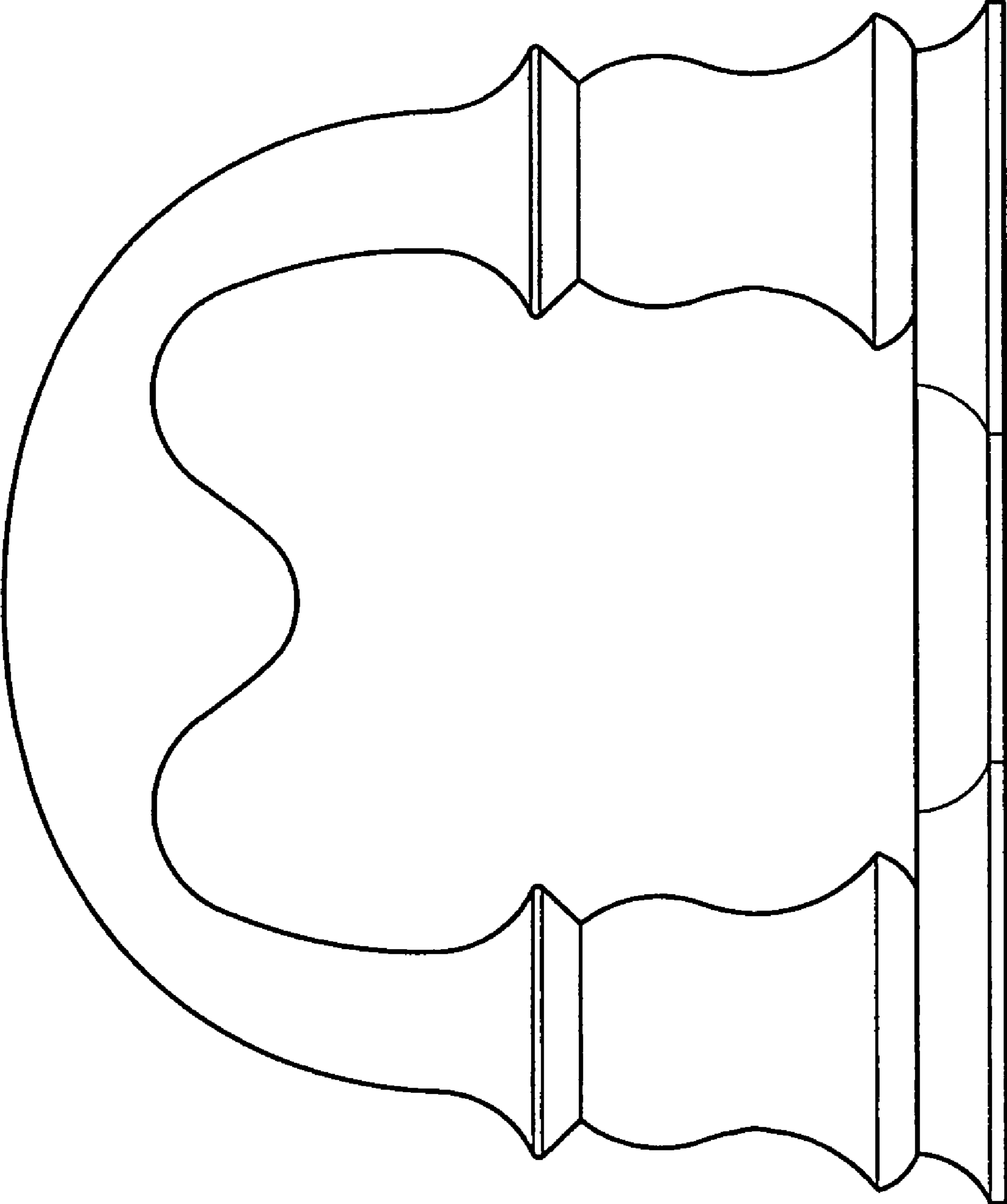


FIG. 5

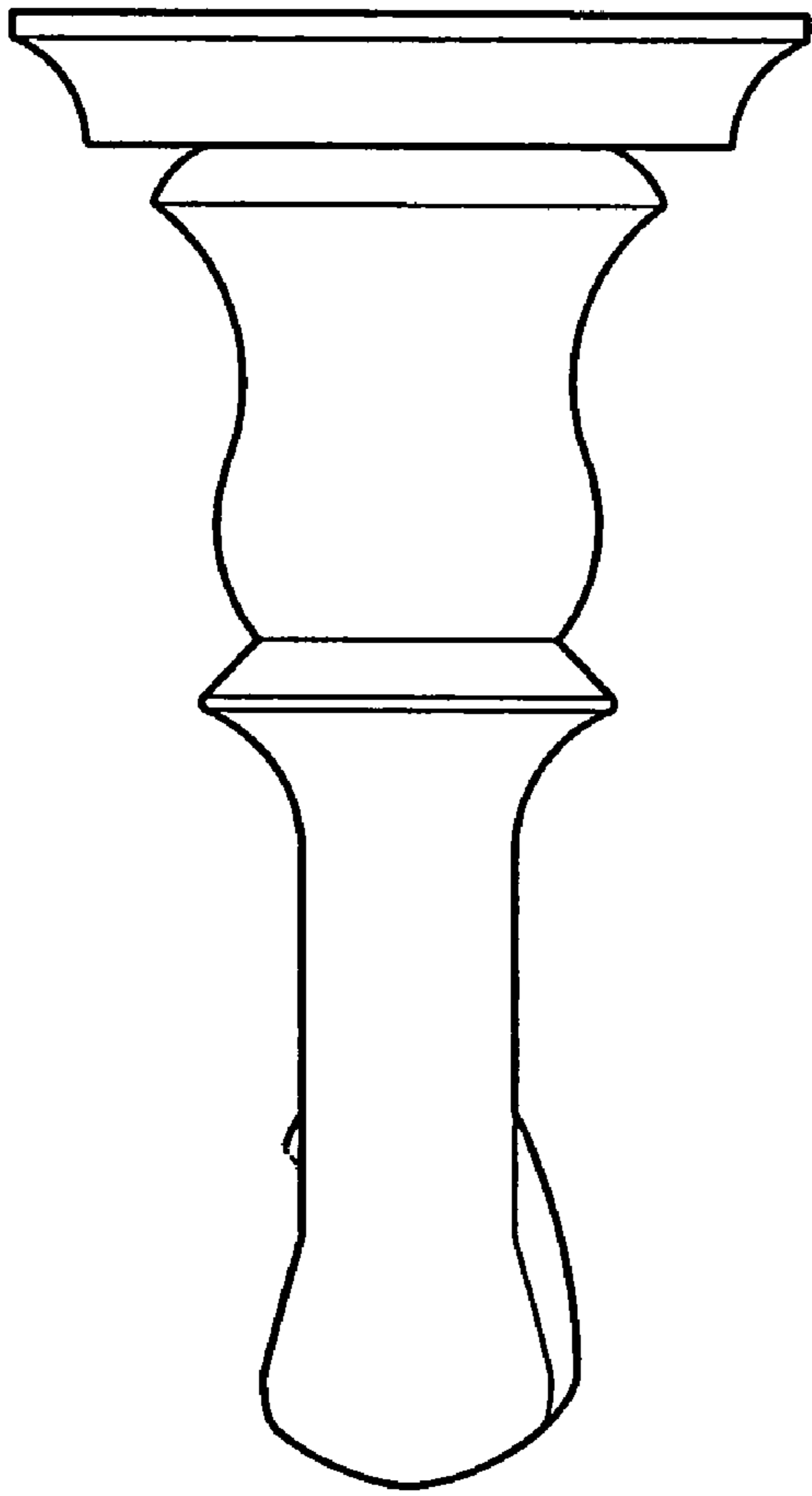


FIG. 6

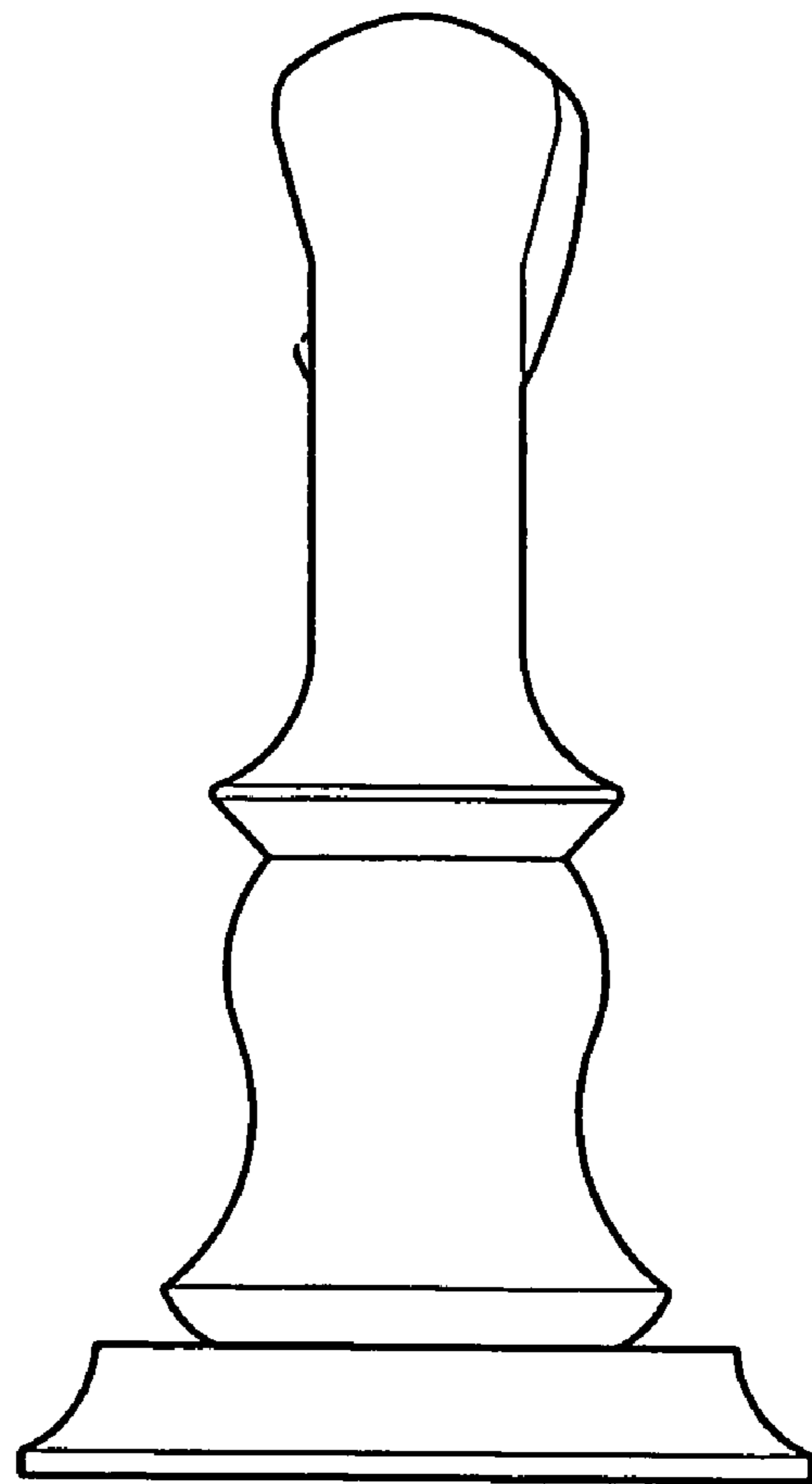


FIG. 7