

US00D543745S

(12) **United States Design Patent** (10) **Patent No.:** **US D543,745 S**
Goeking et al. (45) **Date of Patent:** **** Jun. 5, 2007**

(54) **TISSUE ROLL DISPENSER**

(57) **CLAIM**

(75) Inventors: **Harold J. Goeking**, Oshkosh, WI (US);
Gregory D. Budz, Sobieski, WI (US);
Michael R. Kilgore, Little Suamico,
WI (US); **Karl D. Kissinger**, Appleton,
WI (US); **Andy L. Kirkpatrick**, Green
Bay, WI (US); **John R. Moody**,
Winlock, WA (US)

The ornamental design for a tissue roll dispenser, as shown and described.

DESCRIPTION

(73) Assignee: **Georgia-Pacific Consumer Products LP**, Atlanta, GA (US)

A portion of the disclosure of this patent document contains material to which a claim for copyright is made. The copyright owner has no objection to the facsimile reproduction by anyone of the patent document or the patent disclosure as it appears in the Patent and Trademark Office patent file or records, but reserves all other copyright rights whatsoever.

(**) Term: **14 Years**

This application relates to the following design applications being filed concurrently herewith: U.S. patent application Ser. No. 29/242,373, entitled Tissue Roll Dispenser; and U.S. patent application Ser. No. 29/242,371, entitled Tissue Roll Dispenser Cover.

(21) Appl. No.: **29/242,372**

(22) Filed: **Nov. 9, 2005**

(51) **LOC (8) Cl.** **20-20**

(52) **U.S. Cl.** **D6/520**

(58) **Field of Classification Search** D6/515-523;
242/560, 570, 590, 598; 312/34.1; 206/389;
211/85.5

See application file for complete search history.

FIG. 1 is a perspective view of the tissue roll dispenser; FIG. 2 is a top plan view of tissue roll dispenser of FIG. 1; FIG. 3 a front view in elevation of the tissue roll dispenser of FIG. 1;

FIG. 4 is a right side view in elevation of the tissue roll dispenser of FIG. 1;

FIG. 5 is a rear view in elevation of the tissue roll dispenser of FIG. 1;

FIG. 6 is a left side view in elevation of the tissue roll dispenser of FIG. 1; and,

FIG. 7 is a bottom plan view of the tissue roll dispenser of FIG. 1.

In the drawings textured areas are shown as stippled and polished areas are shown with oblique lines. Preferably, the dispenser is made of a transparent or lightly pigmented material so that the polished areas are relatively transparent and the textured areas are translucent.

Four tissue rolls are shown in dashed lines to illustrate their position in the inventive dispenser when the dispenser is provided with product for dispensing. The rolls form no part of the claimed design.

The area in FIG. 5 within the broken lines on the back of the dispenser forms no part of the claimed design, nor do the broken lines themselves.

(56) **References Cited**

U.S. PATENT DOCUMENTS

| | | | | | |
|-----------|----|-----------|--------------------|-------|-----------|
| 2,930,664 | A | 3/1960 | Liebisch | | 312/39 |
| 4,108,513 | A | 8/1978 | Lander | | 312/39 |
| 4,557,426 | A | 12/1985 | Siciliano | | 242/55.3 |
| 4,989,800 | A | 2/1991 | Tritch | | 242/55.3 |
| 5,310,129 | A | 5/1994 | Whittington et al. | | 242/55.3 |
| D351,520 | S | * 10/1994 | Frazier et al. | | D6/523 |
| D351,749 | S | * 10/1994 | Omdoll et al. | | D6/523 |
| 5,636,812 | A | 6/1997 | Conner et al. | | 242/559.2 |
| D436,774 | S | * 1/2001 | Engelstein et al. | | D6/522 |
| D458,489 | S | * 6/2002 | Omdoll et al. | | D6/523 |
| D458,490 | S | * 6/2002 | Omdoll et al. | | D6/523 |
| 6,648,267 | B2 | 11/2003 | Stanland et al. | | 242/559.2 |
| 6,752,349 | B2 | 6/2004 | Moody et al. | | 242/560 |

* cited by examiner

Primary Examiner—Brian N Vinson

(74) *Attorney, Agent, or Firm*—Joel T. Charlton

1 Claim, 7 Drawing Sheets

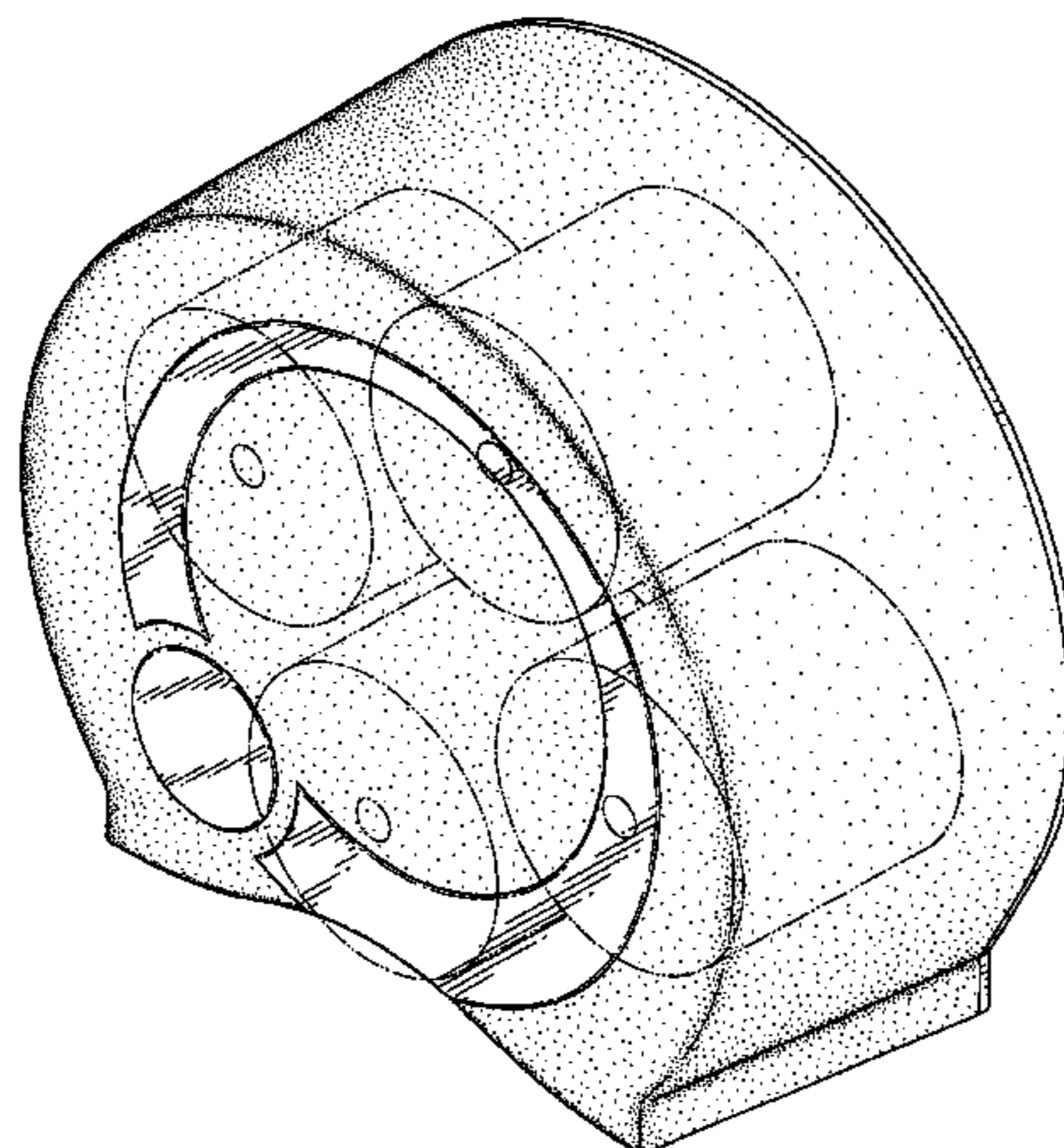


FIG. 1

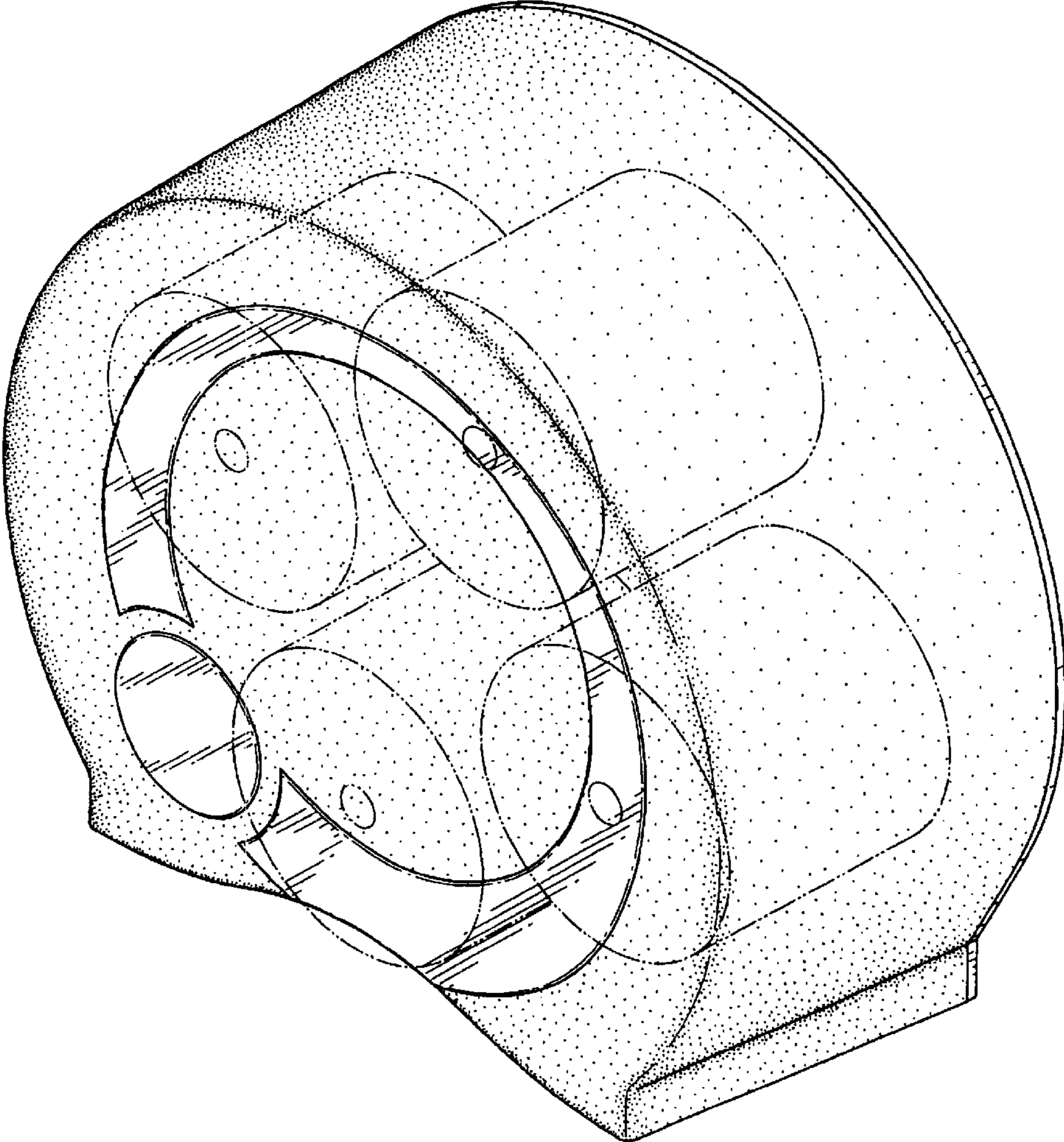


FIG. 2

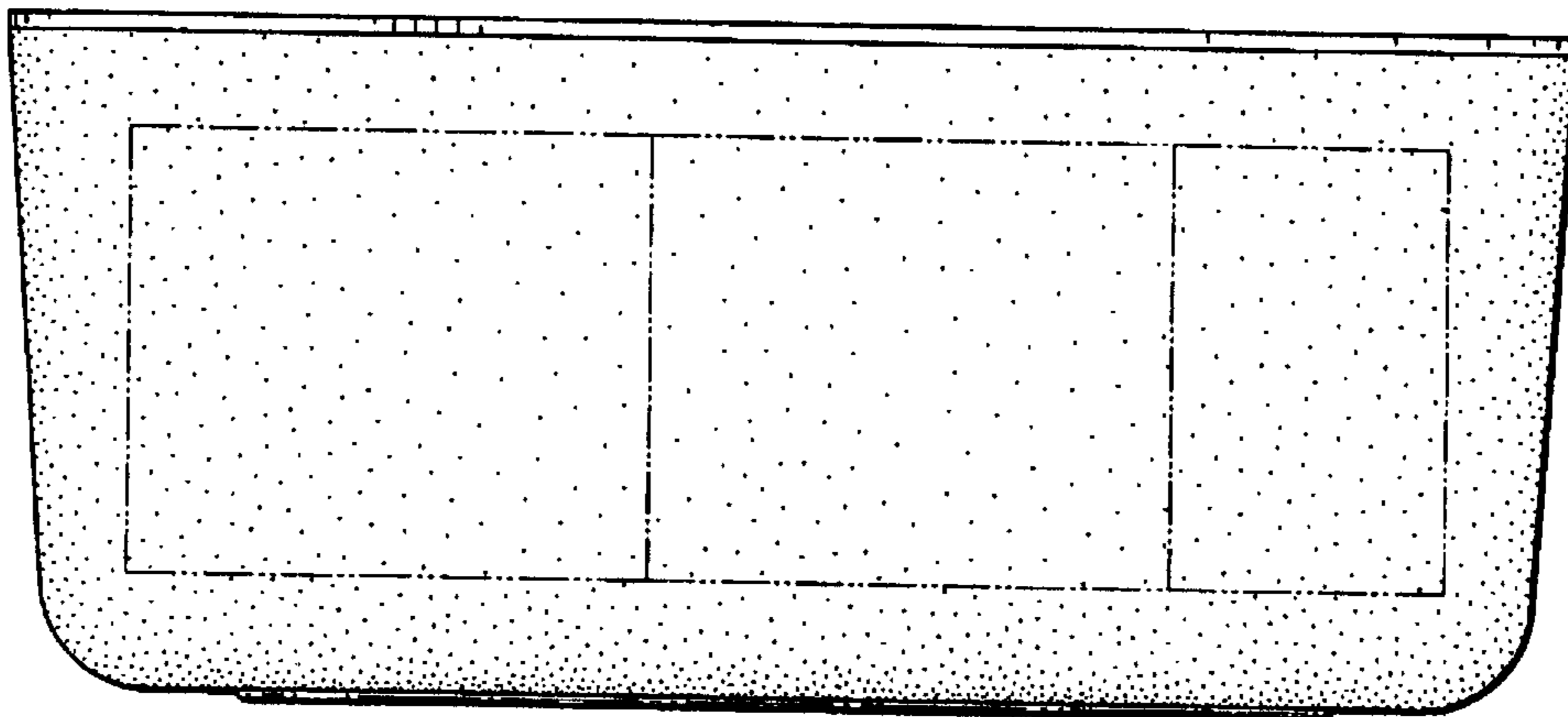


FIG. 3

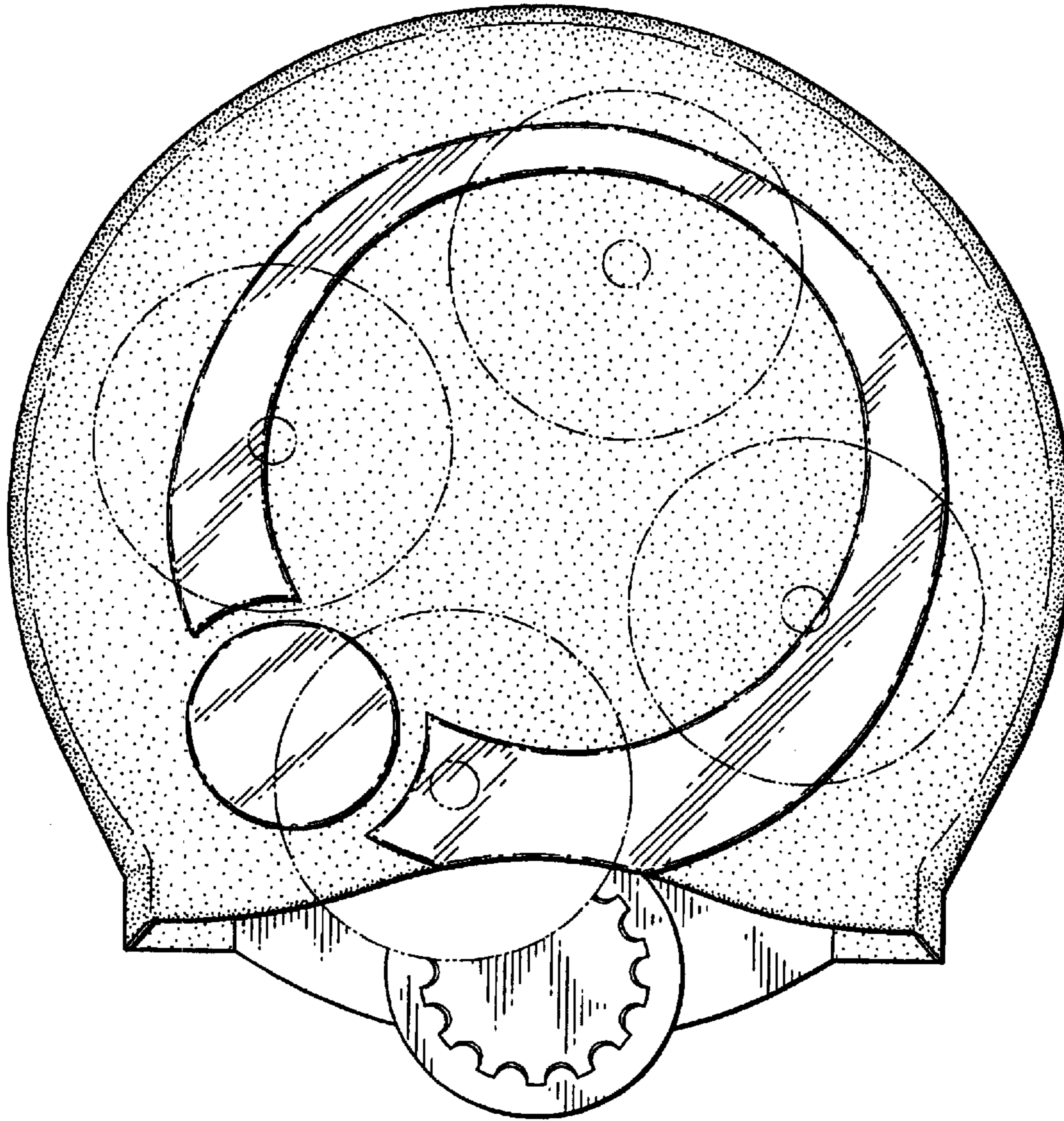


FIG. 4

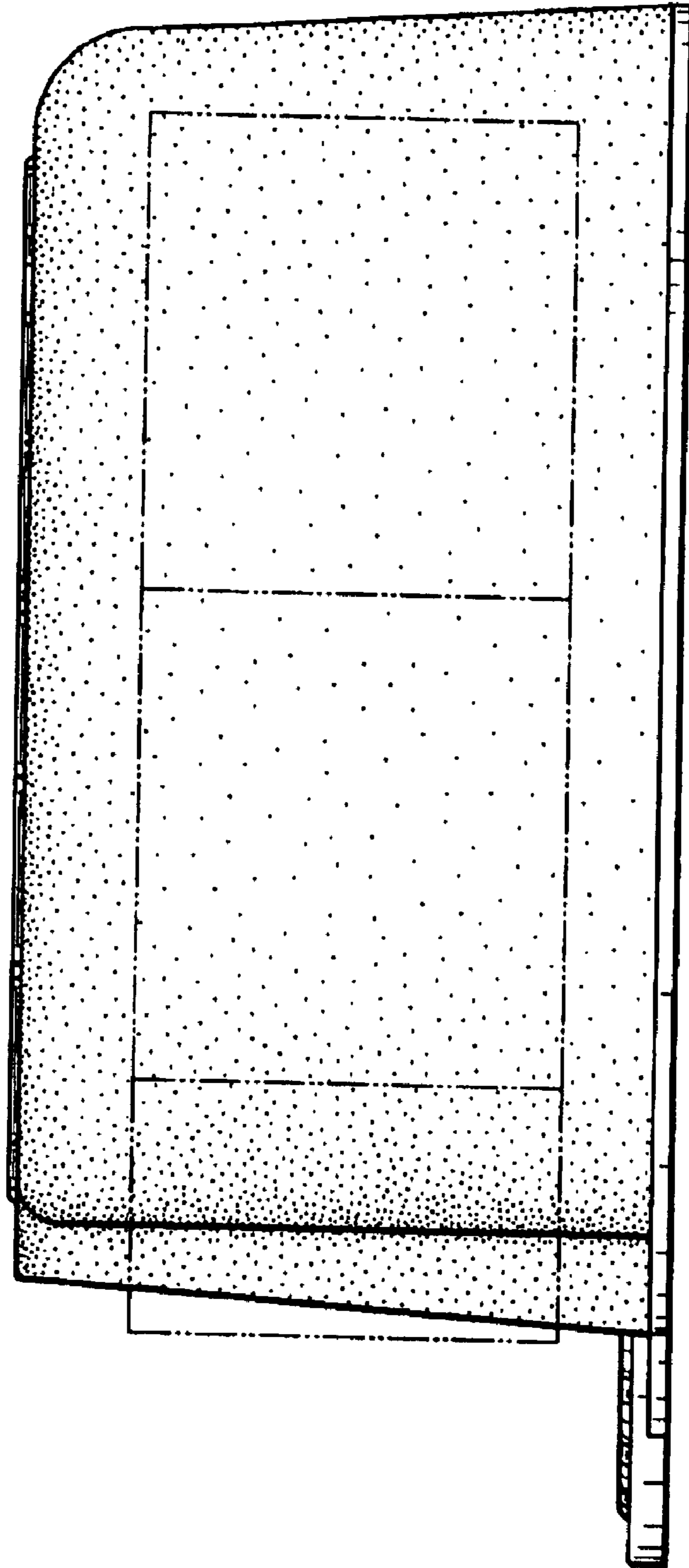


FIG. 5

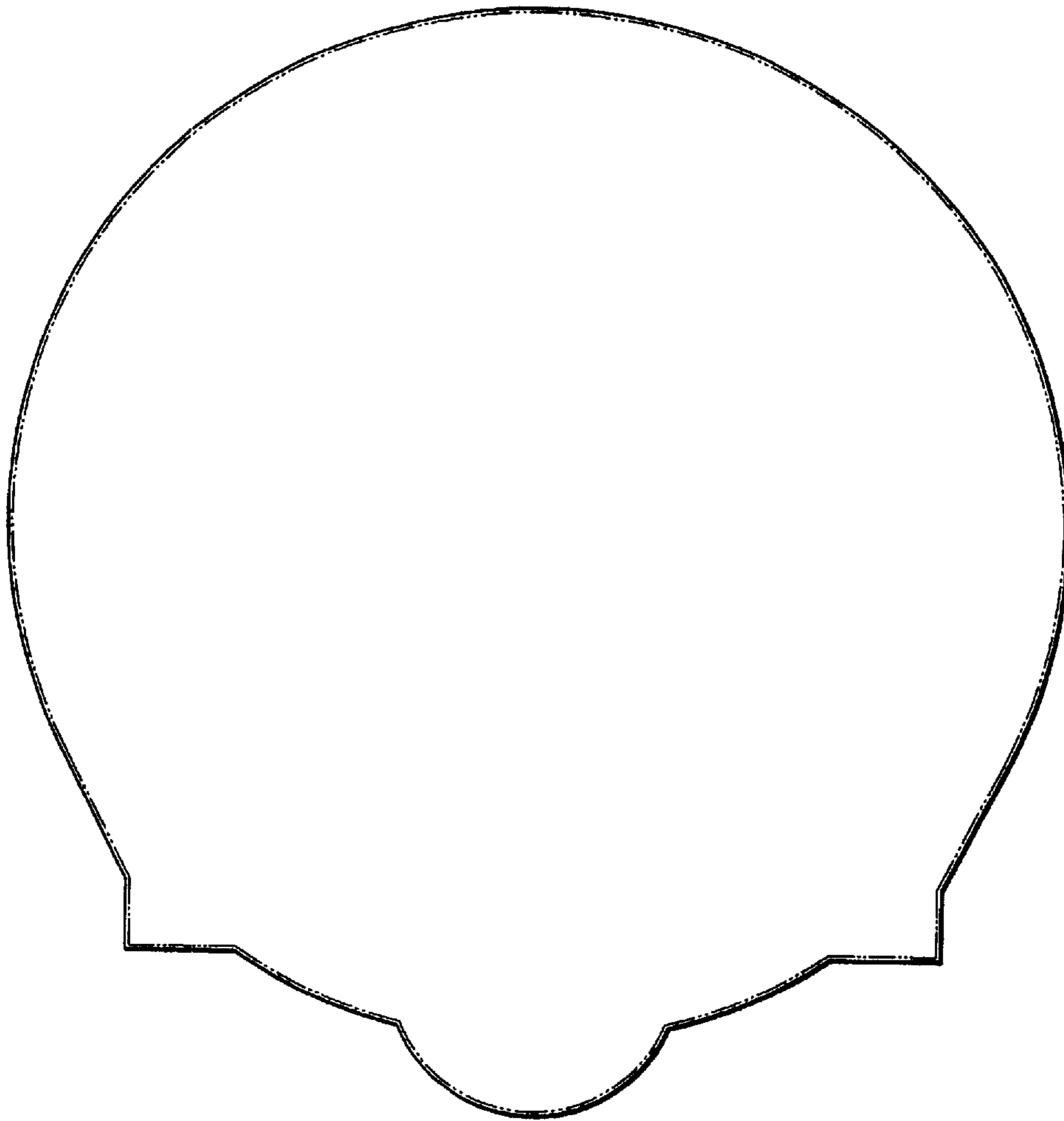


FIG. 6

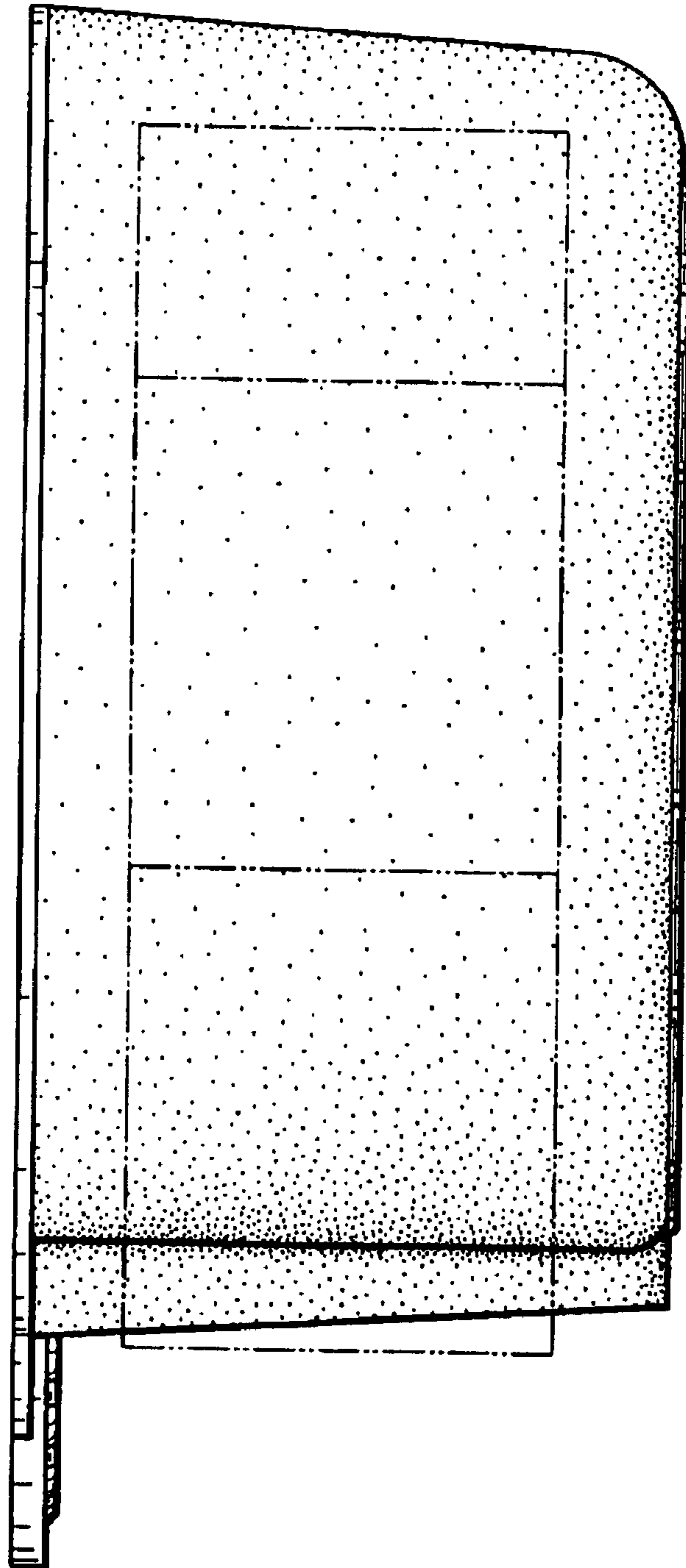


FIG. 7

