

US00D543742S

(12) **United States Design Patent**  
**Huang et al.**

(10) **Patent No.:** **US D543,742 S**

(45) **Date of Patent:** **\*\* Jun. 5, 2007**

(54) **MULTI-FUNCTIONAL BRUSH HOLDER**

(76) Inventors: **Te-Ming Huang**, 5F-11, No. 16, Lane 609, Sec. 5, Chung-Hsin Road, San Chung City, Taipei Hsien (TW); **Jason Chen**, 107 Hearth Stone La., Marlton, NJ (US) 08053

(\*\*) Term: **14 Years**

(21) Appl. No.: **29/211,014**

(22) Filed: **Aug. 9, 2004**

(51) **LOC (8) Cl.** ..... **06-99**

(52) **U.S. Cl.** ..... **D6/511**

(58) **Field of Classification Search** ..... D6/512-514,  
D6/553, 567; 211/85.7, 65, 74; 248/110-112;  
24/531, 545; 220/85, 90

See application file for complete search history.

(56) **References Cited**

**U.S. PATENT DOCUMENTS**

- 2,808,960 A \* 10/1957 Wilson ..... 248/110
- 2,988,768 A \* 6/1961 Hill ..... 248/112
- 3,407,429 A \* 10/1968 Di Nardo ..... 248/110
- 3,688,943 A \* 9/1972 Brown ..... 220/85

- 4,025,206 A \* 5/1977 Rubin ..... 401/123
- 4,436,217 A \* 3/1984 Ritter ..... 248/110
- D305,669 S \* 1/1990 Deusinger ..... D6/512
- 5,632,386 A \* 5/1997 Gabhart ..... 211/85.7

\* cited by examiner

*Primary Examiner*—Brian N Vinson

(57) **CLAIM**

The ornamental design for multi-functional brush holder, as shown and described.

**DESCRIPTION**

FIG. 1 is a perspective view of multi-functional brush holder showing my new design;

FIG. 2 is a front elevational view thereof;

FIG. 3 is a rear elevational view thereof;

FIG. 4 is a left side elevational view thereof;

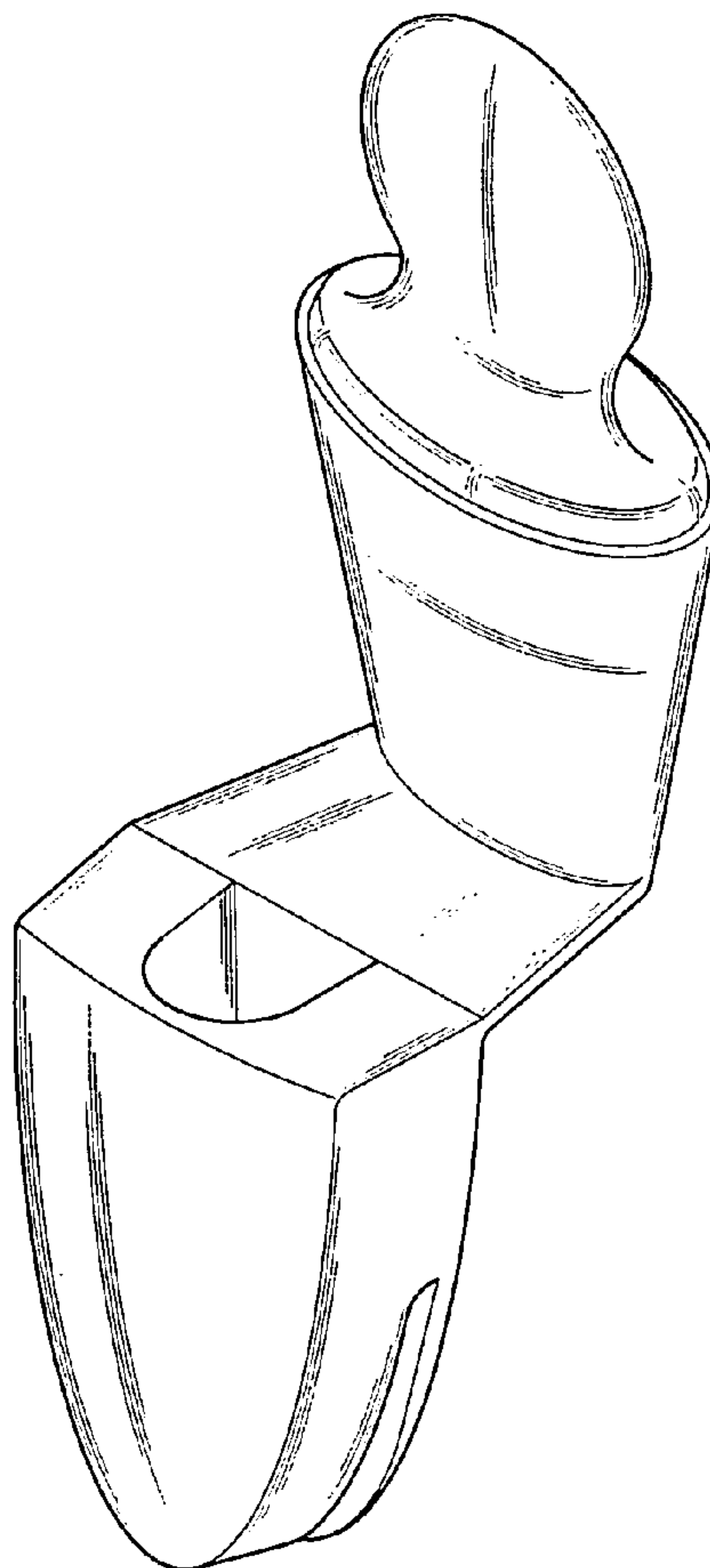
FIG. 5 is right side elevational view thereof;

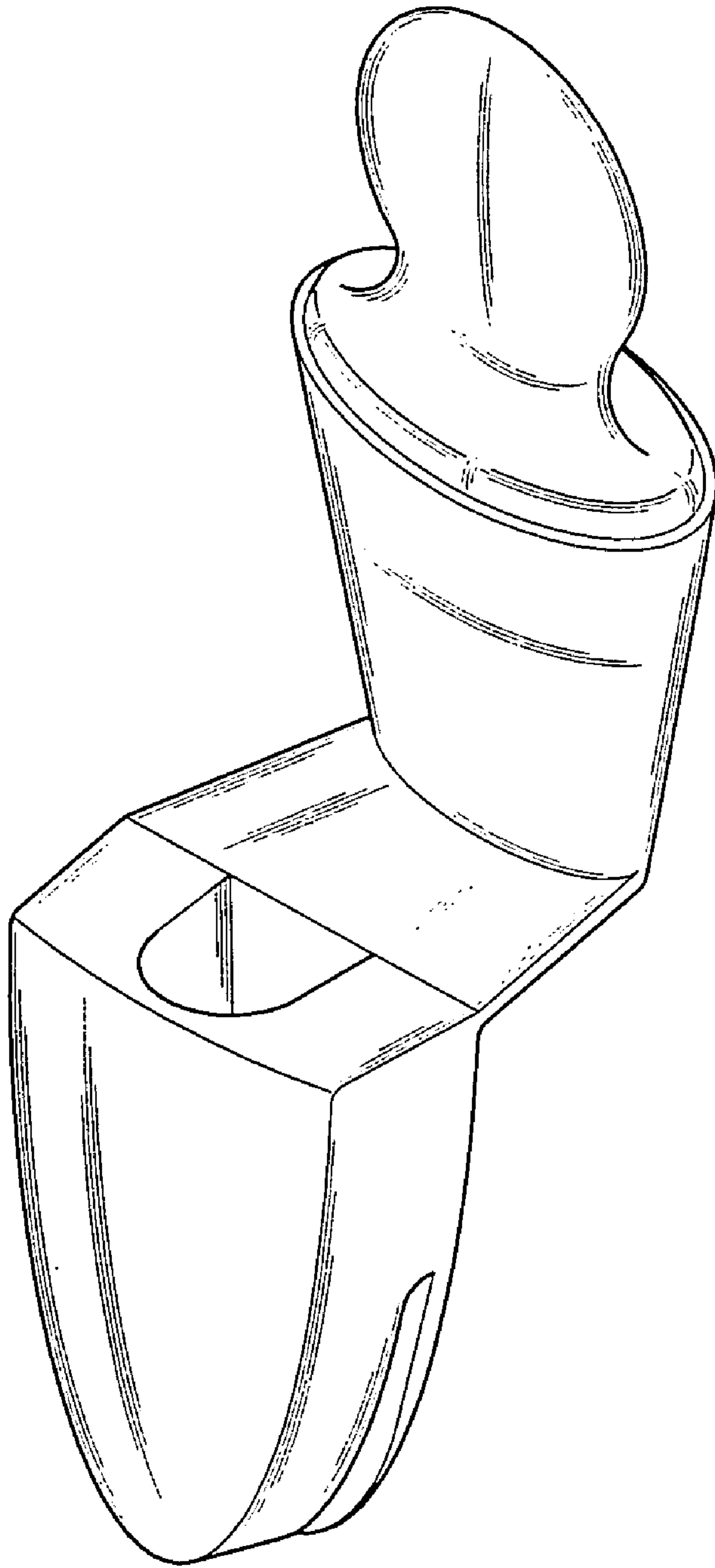
FIG. 6 is a top view thereof;

FIG. 7 is a bottom view thereof; and,

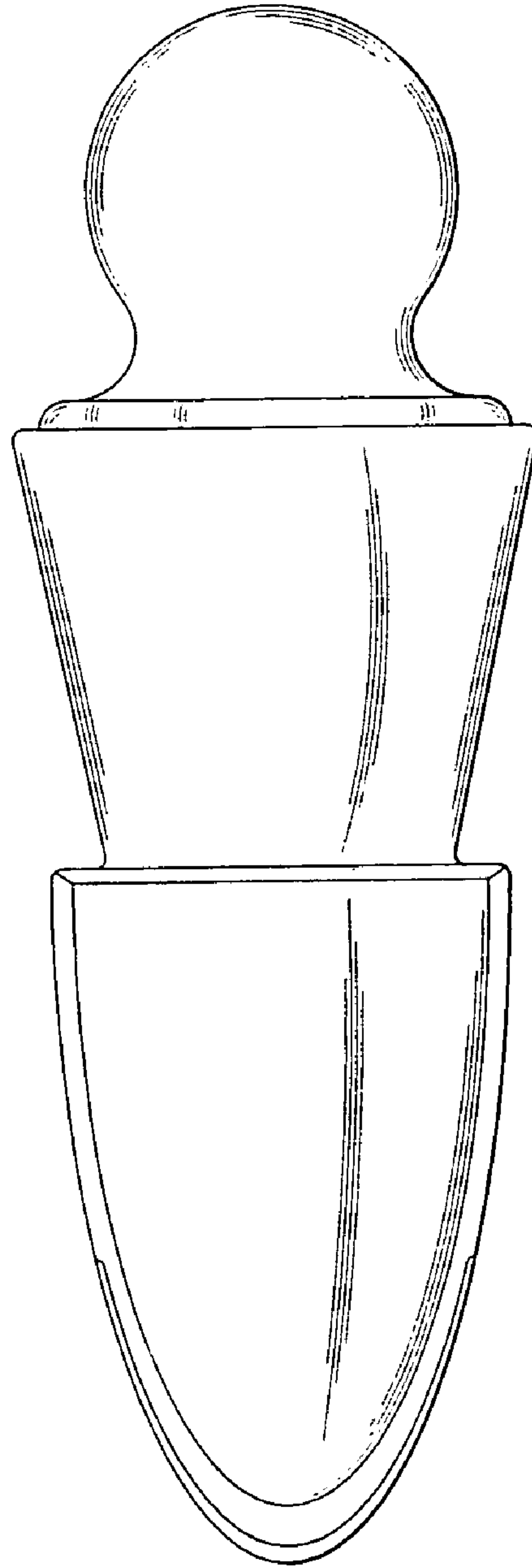
FIG. 8 is an exploded perspective view thereof.

**1 Claim, 8 Drawing Sheets**

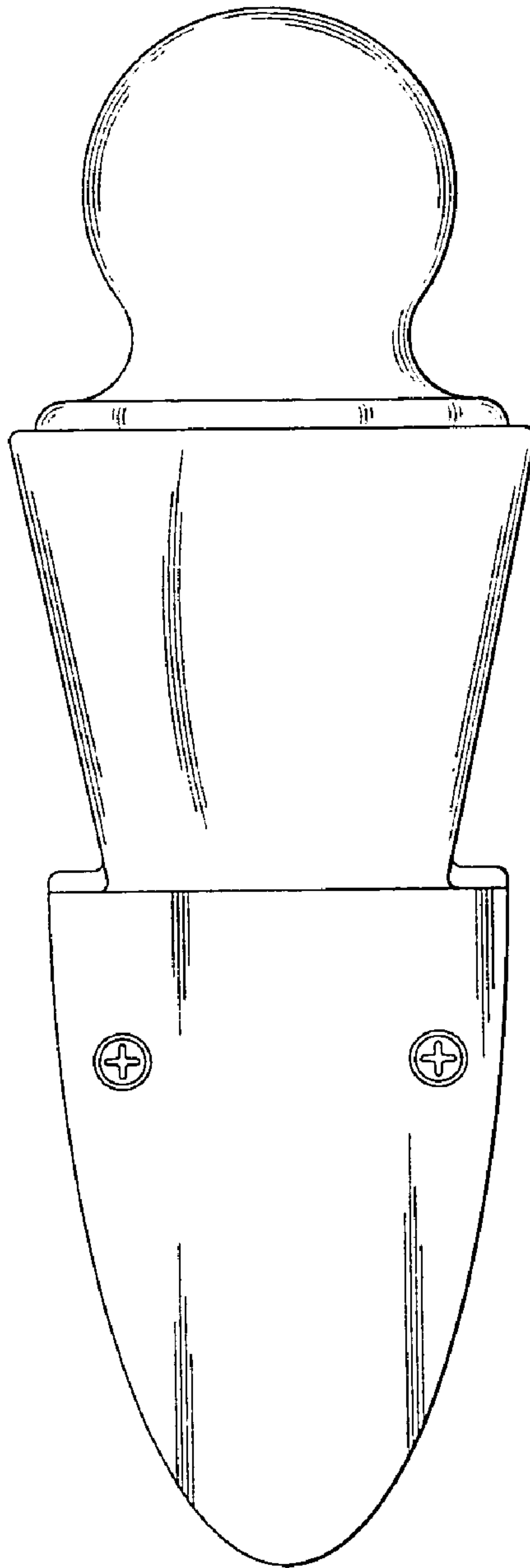




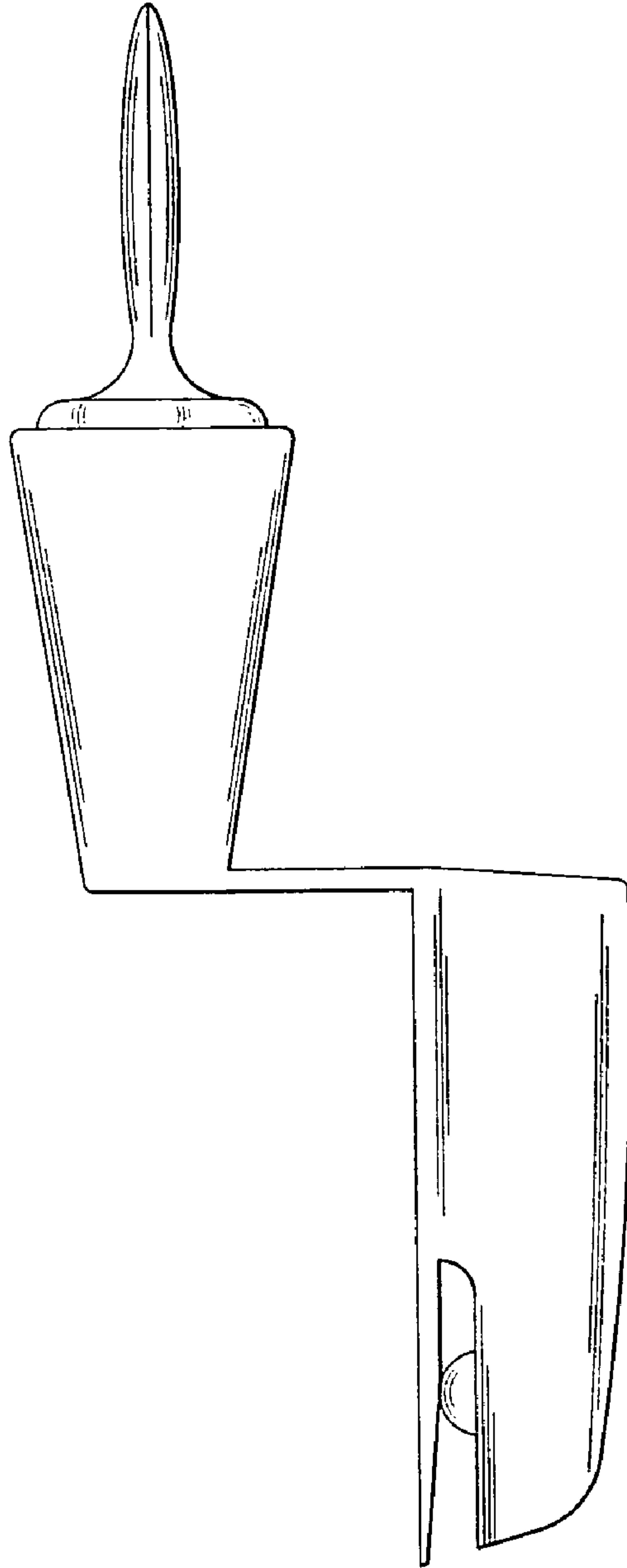
**FIG. 1**



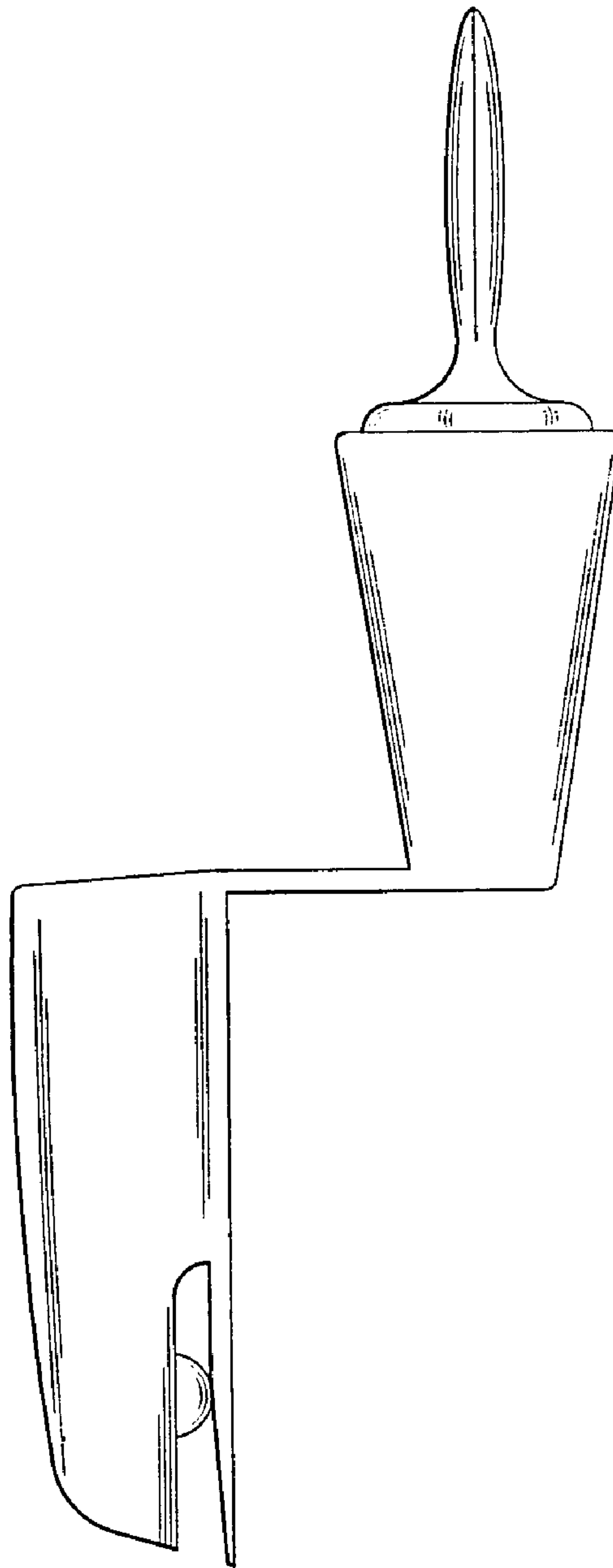
**FIG. 2**



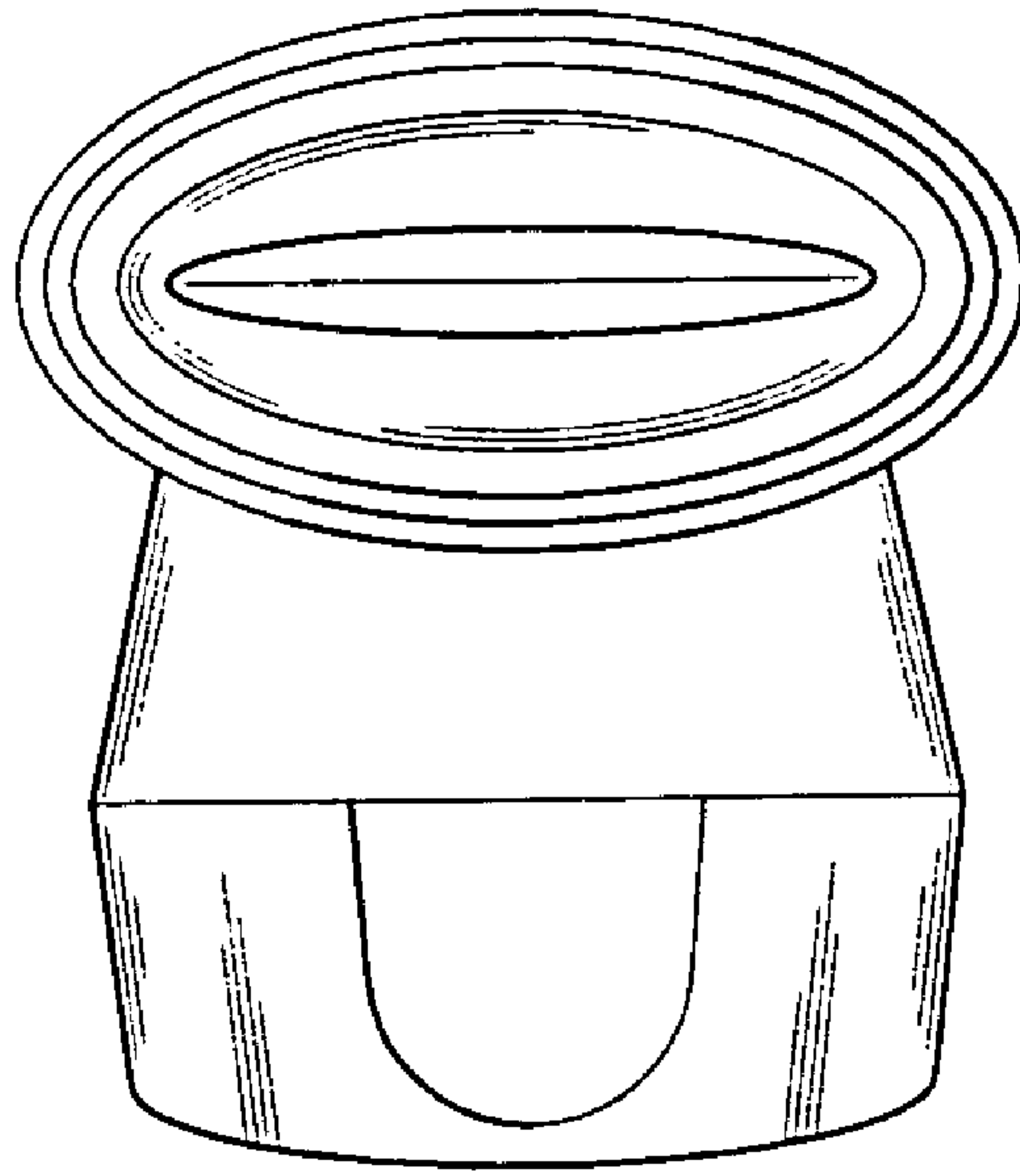
**FIG. 3**



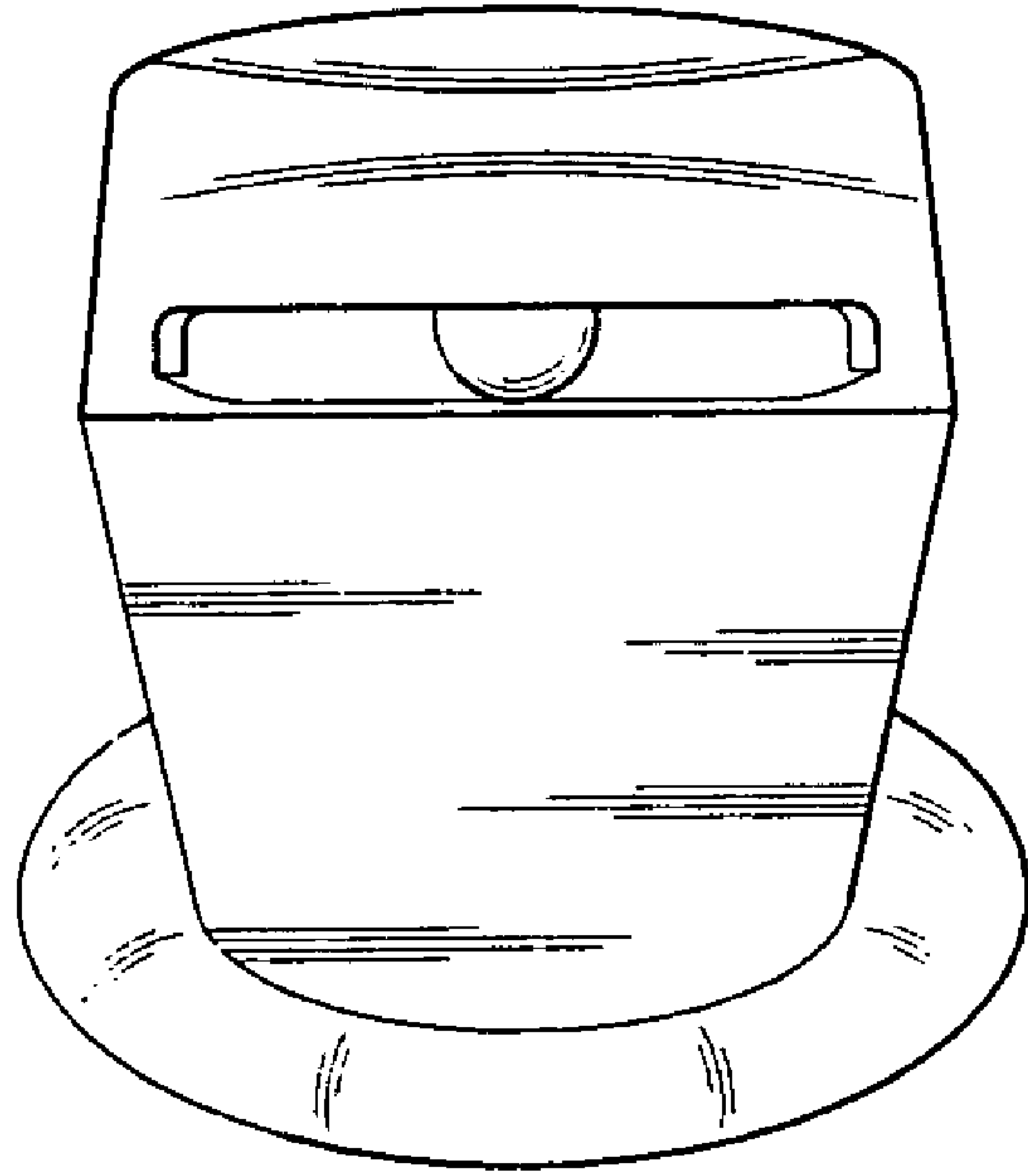
**FIG. 4**



**FIG. 5**

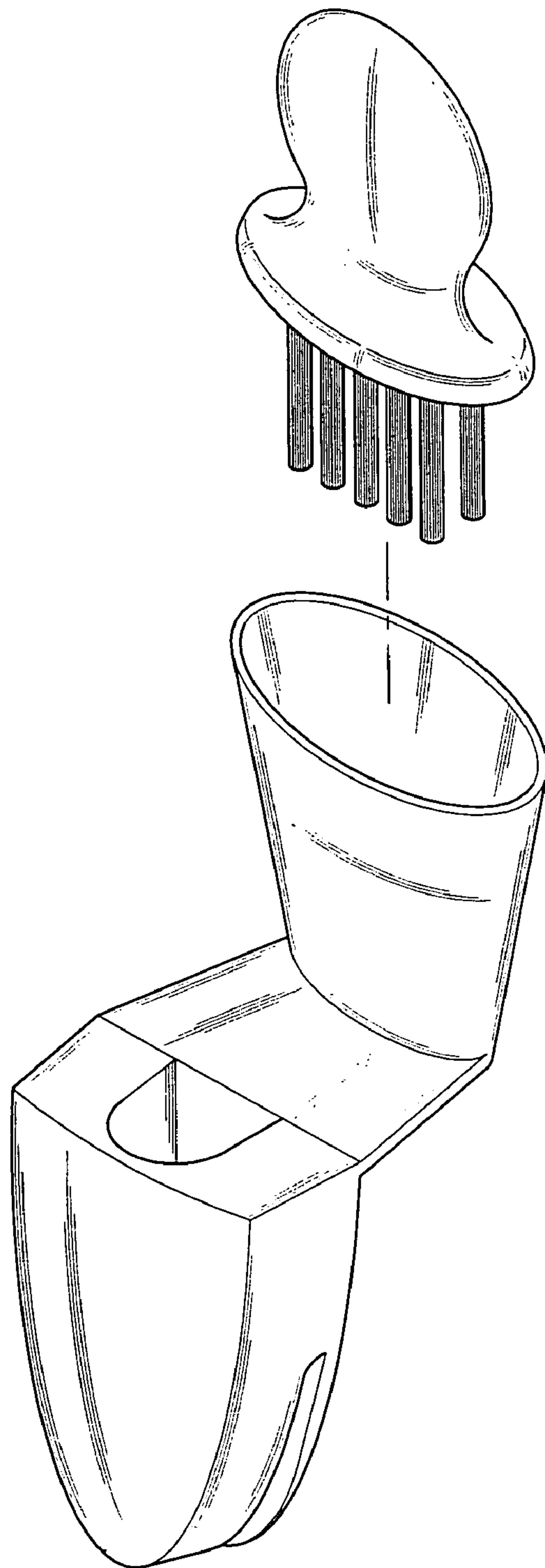


**FIG. 6**



**FIG. 7**





**FIG. 8**