



US00D543740S

(12) **United States Design Patent** (10) **Patent No.:** **US D543,740 S**
Hartsfield, Jr. et al. (45) **Date of Patent:** **** Jun. 5, 2007**

(54) **FOOD COUNTER BREATH PROTECTOR**

(75) Inventors: **Alvis Lloyd Hartsfield, Jr.**, Missouri City, TX (US); **Charles Horrace Camp, Jr.**, Spring, TX (US)

(73) Assignee: **Kitchen Equipment Fabricating Company**, Houston, TX (US)

(**) Term: **14 Years**

(21) Appl. No.: **29/247,145**

(22) Filed: **Jun. 1, 2006**

(51) **LOC (8) Cl.** **06-04**

(52) **U.S. Cl.** **D6/509**

(58) **Field of Classification Search** D6/491,
D6/509; 312/137, 140.4, 140.1; 99/645;
108/152, 184; 211/189

See application file for complete search history.

(56) **References Cited**

U.S. PATENT DOCUMENTS

4,208,972	A *	6/1980	Arend et al.	108/184
D303,190	S *	9/1989	Suttles	D6/491
4,892,366	A *	1/1990	Yerman	312/140.4
D377,429	S *	1/1997	Olson	D6/491
5,823,102	A *	10/1998	Will	99/645
D472,083	S *	3/2003	English et al.	D6/509
6,588,863	B1 *	7/2003	Yatchak et al.	312/140.4
2002/0043906	A1 *	4/2002	Dewitt et al.	312/137
2006/0175940	A1 *	8/2006	English	312/137

OTHER PUBLICATIONS

Atlas Metal Industries, Inc., Model No. AT15-2SKB-5.
Atlas Metal Industries, Inc., Model No. AT4-DS-SKV-5.
Duke Manufacturing Co.; "Thurmaduke Serving Systems—Designer Sneeze Guards". Catalog No. TSS-Design Guards; www.dukemft.com.
Duke Manufacturing Co.; "Aeroshot Steamtables—Shelves". Catalog No. AFS-Shelves; www.dukemft.com.
Premier1Source. "Specified Hospitality Products" Brochure; www.premierbrass.com.

The Delfield Company; "Mobile Ice Pan Serving Counters"; Model KCI and KCI-NU; www.delfield.com.

Atlas Metal Industries, Inc., "Mobile Hot Serving Unit"; Model No. BLH-4.

Atlas Metal Industries, Inc., "Mobile Cold Serving Unit"; Model No. BLC-4-RM.

Duke Manufacturing Co.; "Example Serving Line—Mod-U-Serve". Hatco Corporation, "Gio-Ray Designer Merchandising Warmers"; Model Nos. GR2SDH; www.hatcocorp.com.

Hatco Corporation, "Gio-Ray Pizza Warmers"; Model Nos. GRPWS; www.hatcocorp.com.

The Delfield Company; "F5 Service Drop In—Deep Mirrored Self-Contained Refrigerated Display Cases"; Model Nos. F5MC48D and F5MC72D; www.delfield.com.

Barker Sales; "QCF Series—Self-Service Drop-In Merchandiser"; Model Nos. QCF3, 4, 5, 6, and 8; www.barkersales.com.

* cited by examiner

Primary Examiner—Cathron C. Brooks

Assistant Examiner—Kelley A. Donnelly

(74) *Attorney, Agent, or Firm*—Locke Liddell & Sapp LLP

(57) **CLAIM**

The ornamental design for a food counter breath protector, as shown and described.

DESCRIPTION

FIG. 1 is a perspective view of a food counter breath protector design.

FIG. 2 is a front view of the design.

FIG. 3 is a back view of the design.

FIG. 4 is a side view of the design with the other side being a mirror image.

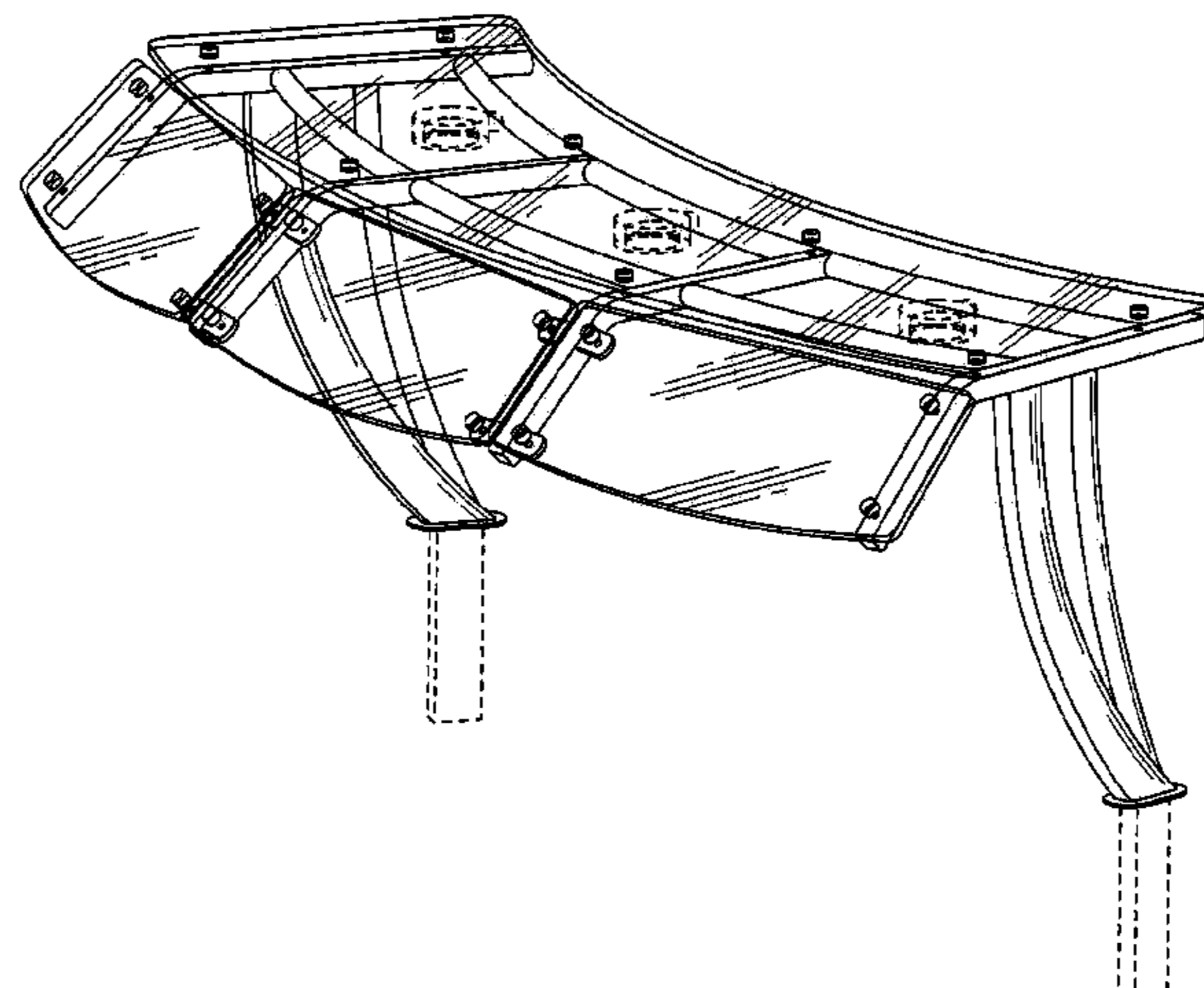
FIG. 5 is a top view of the design.

FIG. 6 is a bottom view of the design; and,

FIG. 7 is a front view of the design shown with an exemplary support structure for context.

The broken lines in FIGS. 1–7 are for illustrative purposes only and form no part of the claimed design.

1 Claim, 4 Drawing Sheets



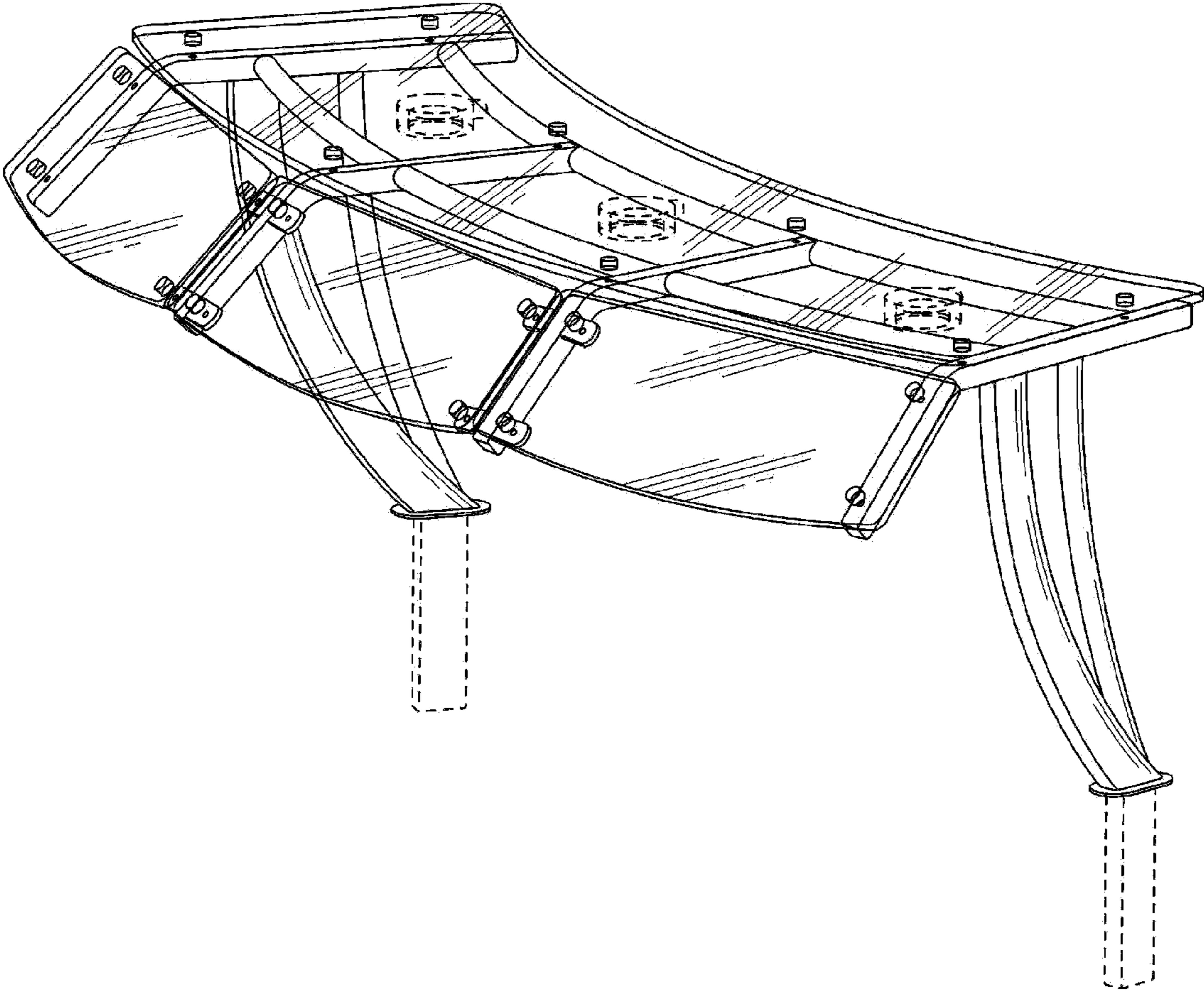


FIG. 1

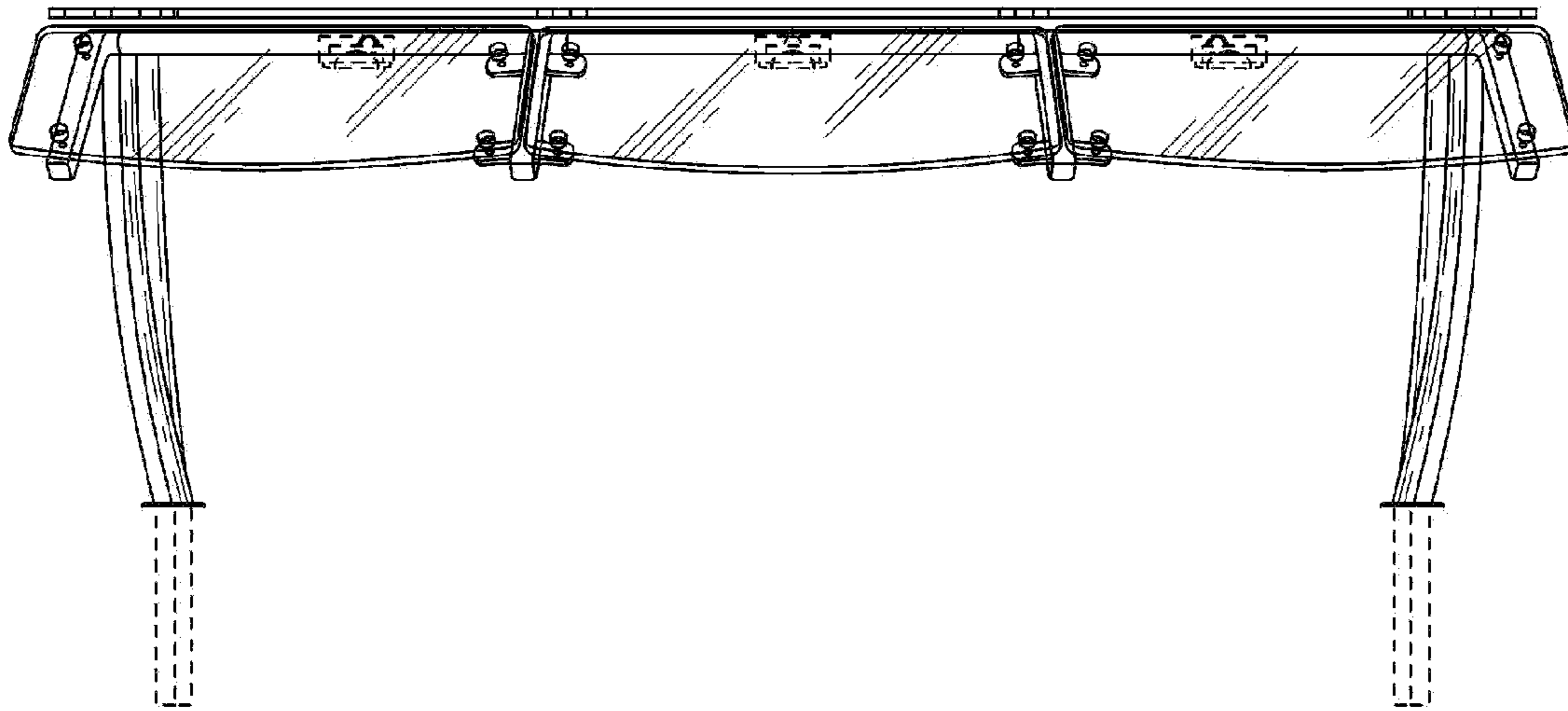


FIG. 2

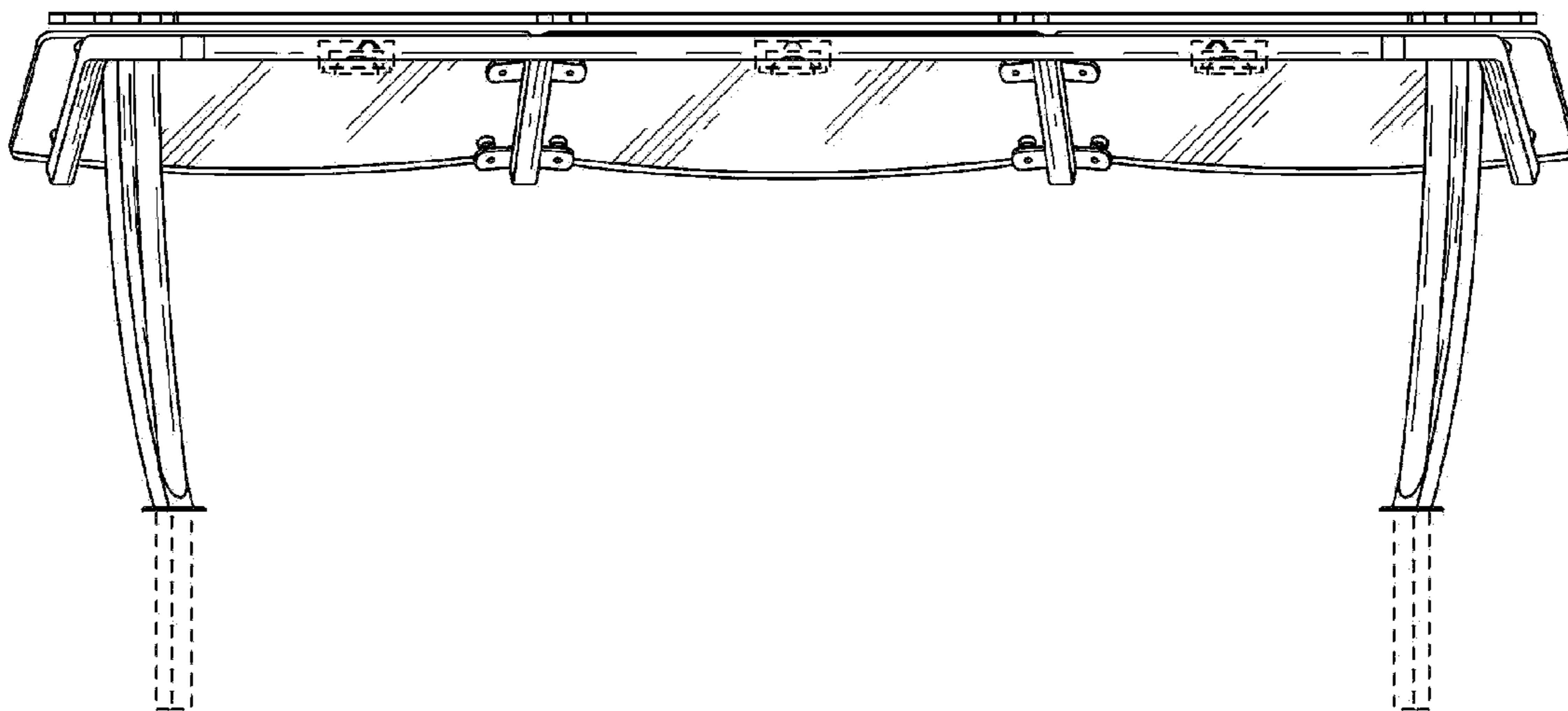


FIG. 3

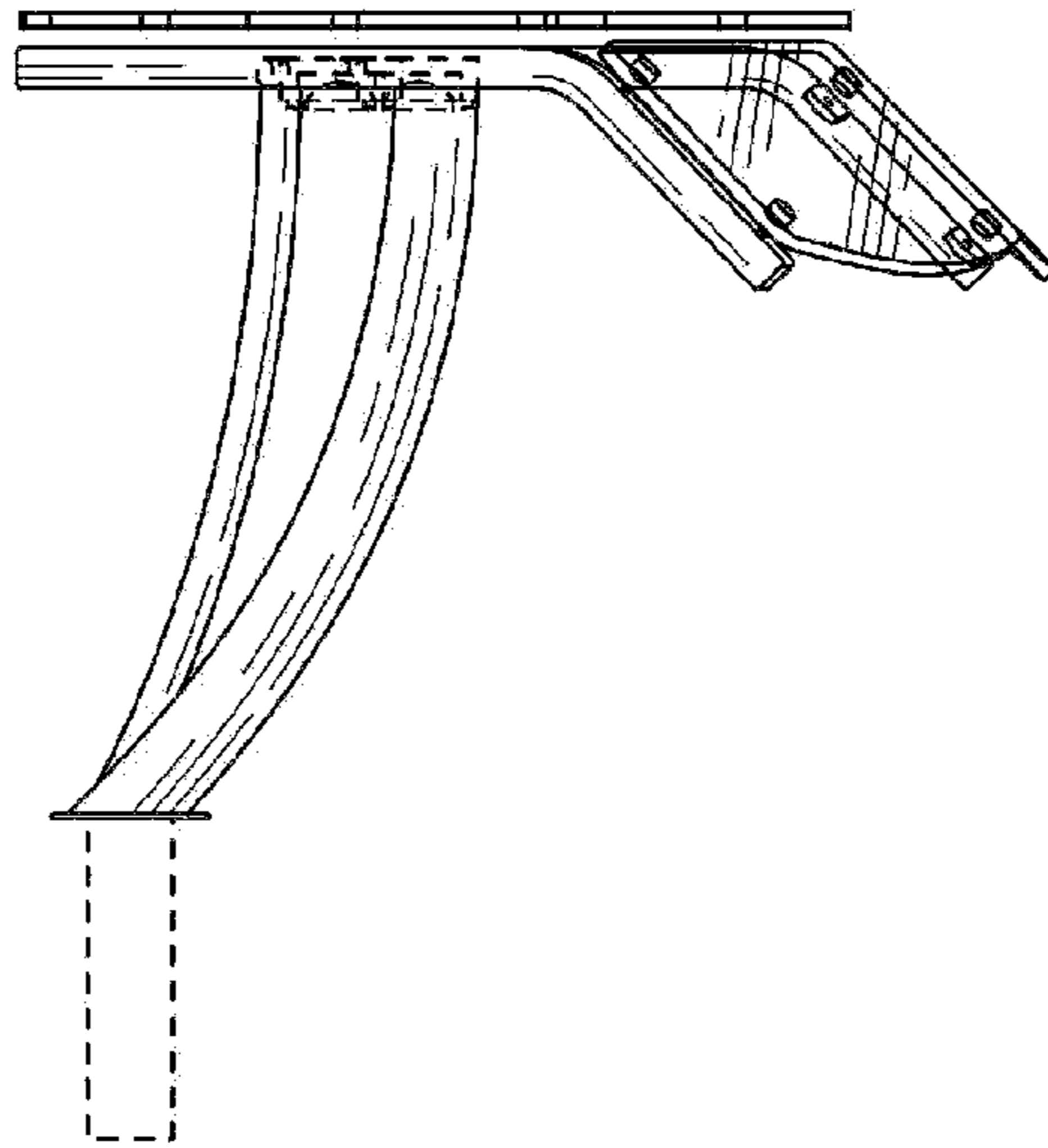


FIG. 4

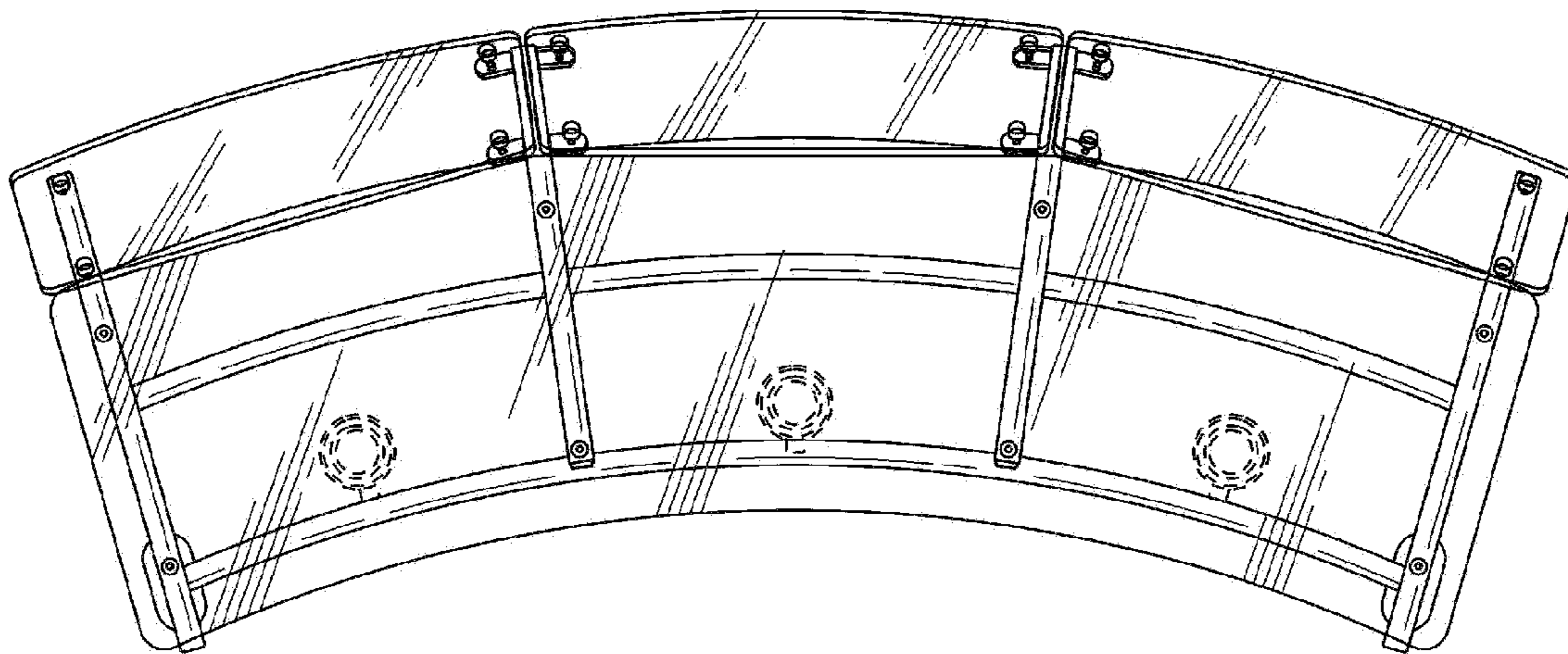


FIG. 5

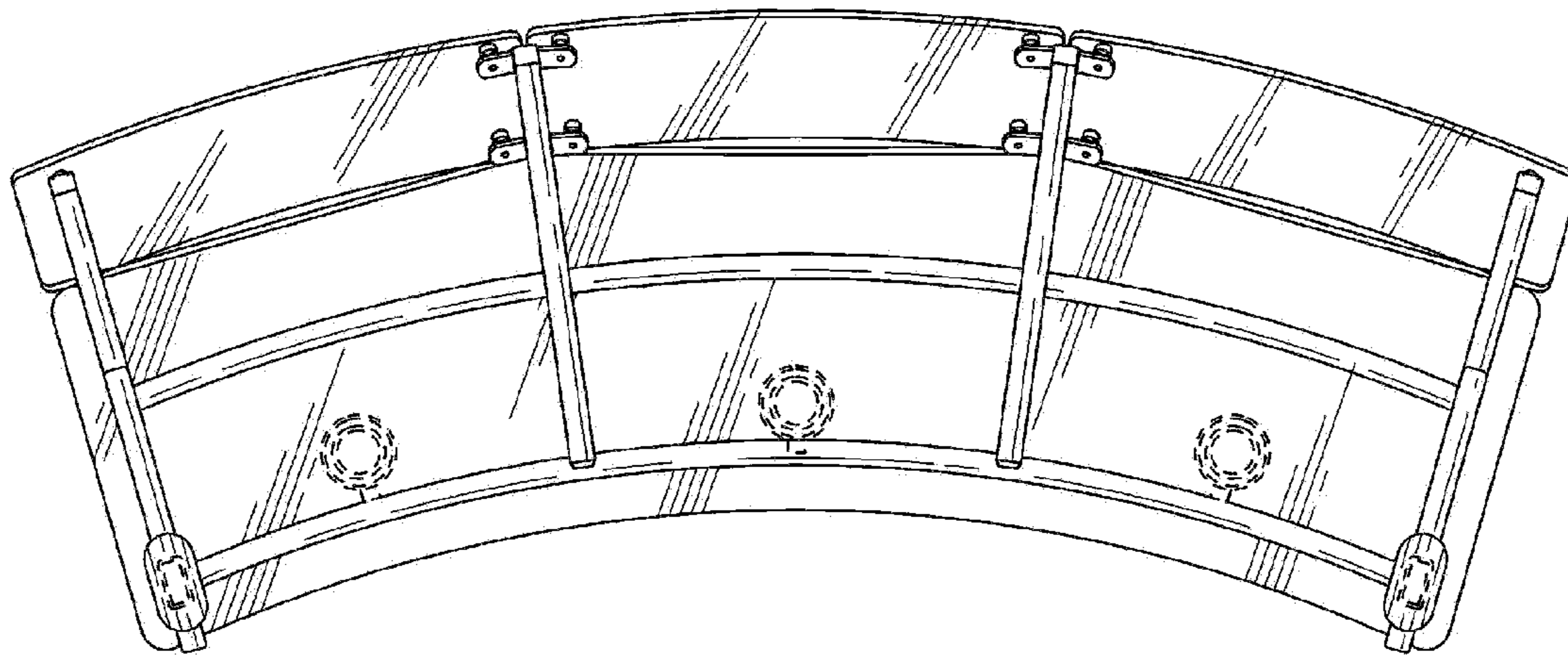


FIG. 6

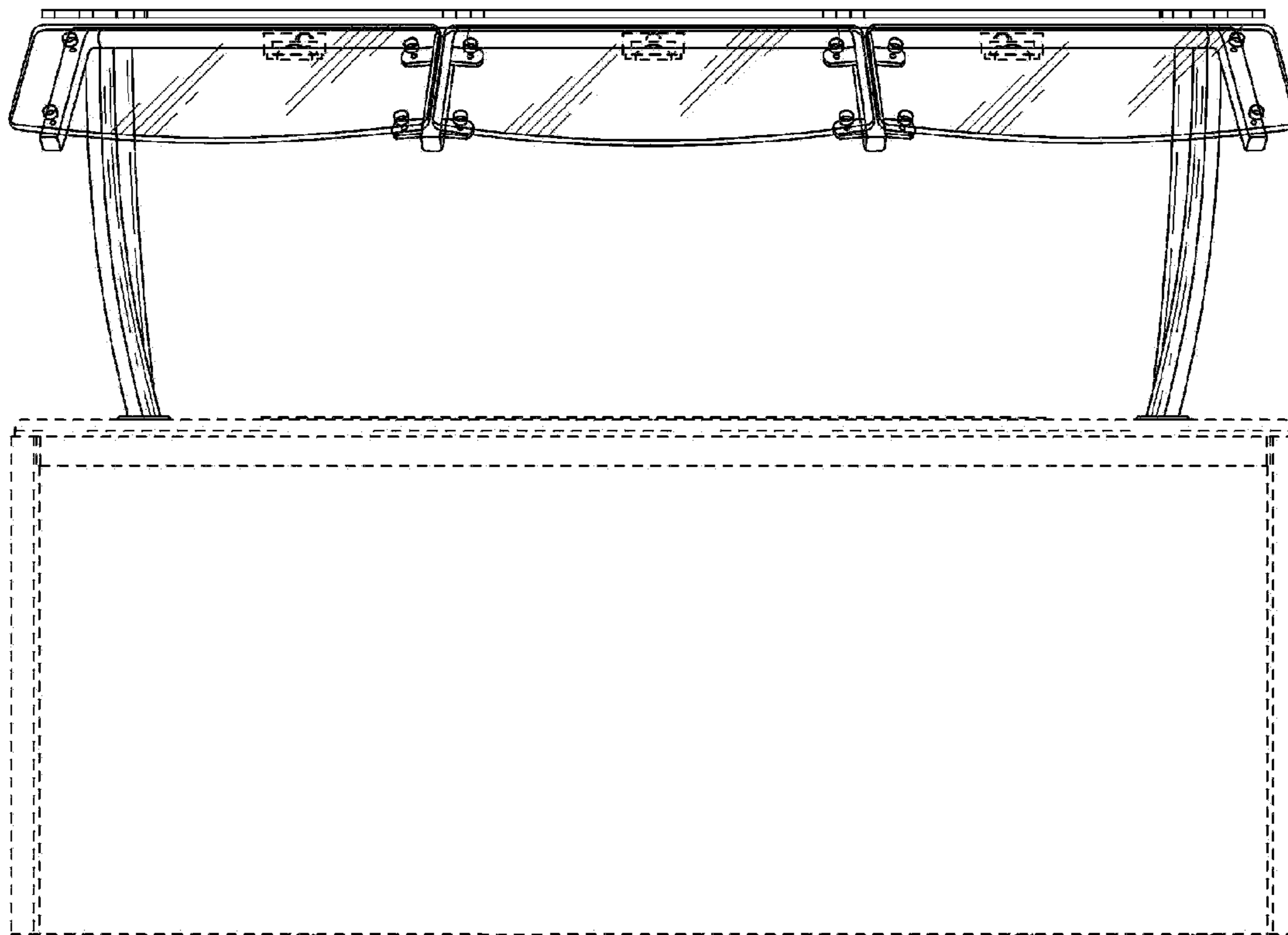


FIG. 7