



US00D543738S

(12) **United States Design Patent**
Quicoy

(10) **Patent No.:** **US D543,738 S**

(45) **Date of Patent:** **** Jun. 5, 2007**

(54) **FOLDING CHAIR**

(75) Inventor: **Ryan Hans Quicoy**, Shenzhen (CN)

(73) Assignee: **Foremost Group Inc.**, East Hanover, NJ (US)

(**) Term: **14 Years**

(21) Appl. No.: **29/253,845**

(22) Filed: **Feb. 14, 2006**

(30) **Foreign Application Priority Data**

Dec. 16, 2005 (CN) 200520120536

(51) **LOC (8) Cl.** **06-06**

(52) **U.S. Cl.** **D6/500; D6/368**

(58) **Field of Classification Search** D6/334-336,
D6/367, 368, 369, 370-376, 379, 380, 500-502;
297/16.1, 31, 39, 47, 452.18, 452.2

See application file for complete search history.

(56) **References Cited**

U.S. PATENT DOCUMENTS

D178,608 S *	8/1956	Larsen	D6/379
D179,051 S *	10/1956	Ashkouti	D6/379
D296,500 S *	7/1988	Frinier	D6/379
D301,945 S *	7/1989	Frinier	D6/374
D317,536 S *	6/1991	Hess	D6/380
D333,750 S *	3/1993	Hess	D6/500
D388,968 S *	1/1998	de Visser	D6/368
D412,251 S *	7/1999	Tseng	D6/368
D412,407 S *	8/1999	Tseng	D6/368

6,450,569 B1 *	9/2002	Liu	297/39
D524,082 S *	7/2006	Dettmann et al.	D6/500
2006/0170255 A1 *	8/2006	Huang	297/39

* cited by examiner

Primary Examiner—Mimosa De

(74) *Attorney, Agent, or Firm*—Drinker Biddle & Reath LLP

(57) **CLAIM**

The ornamental design for a folding chair, as shown and described.

DESCRIPTION

FIG. 1 is a perspective view of a folding chair showing my new design.

FIG. 2 is a right side view thereof.

FIG. 3 is a left side view thereof.

FIG. 4 is a front view thereof.

FIG. 5 is a rear view thereof.

FIG. 6 is a top view thereof.

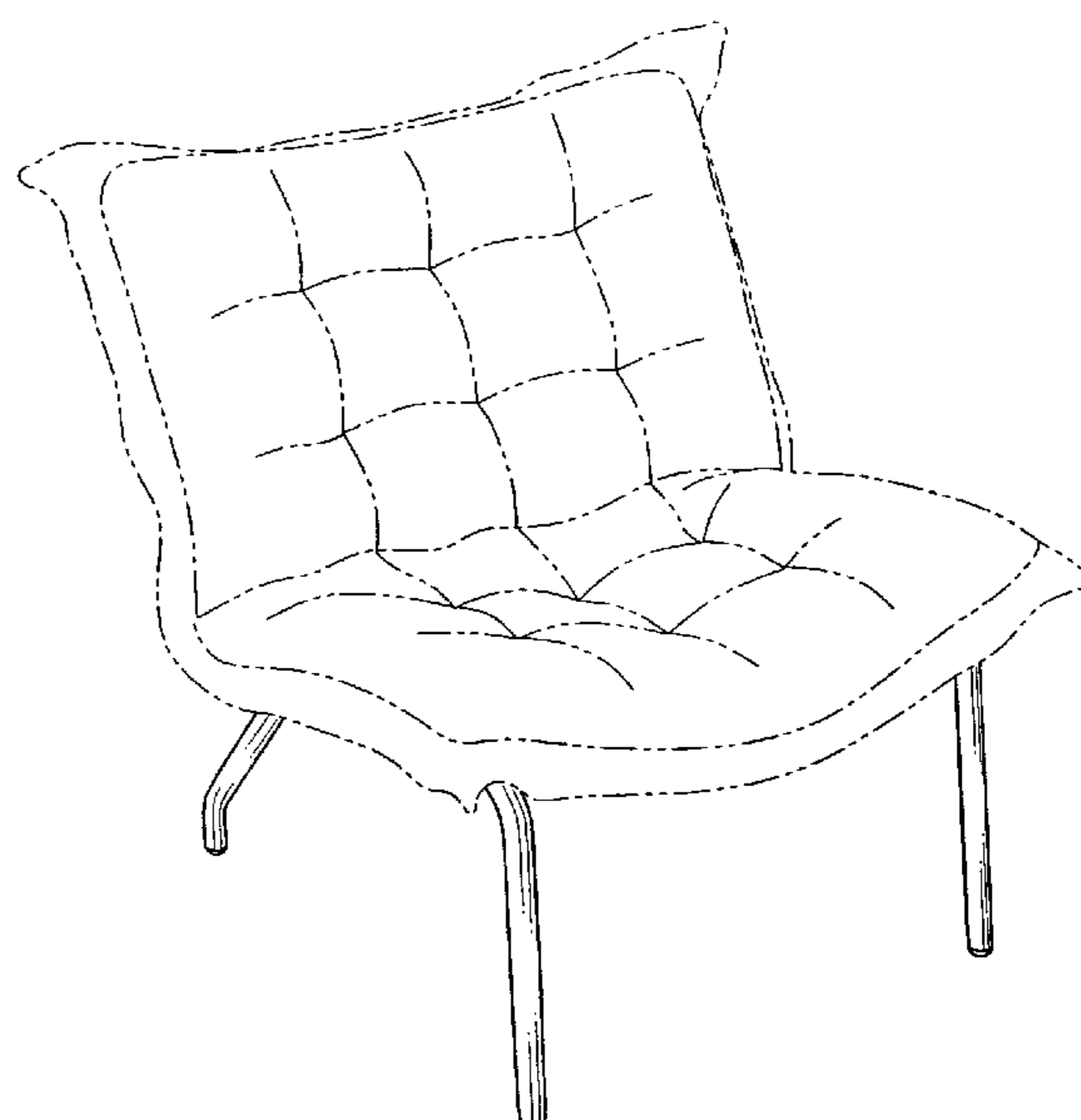
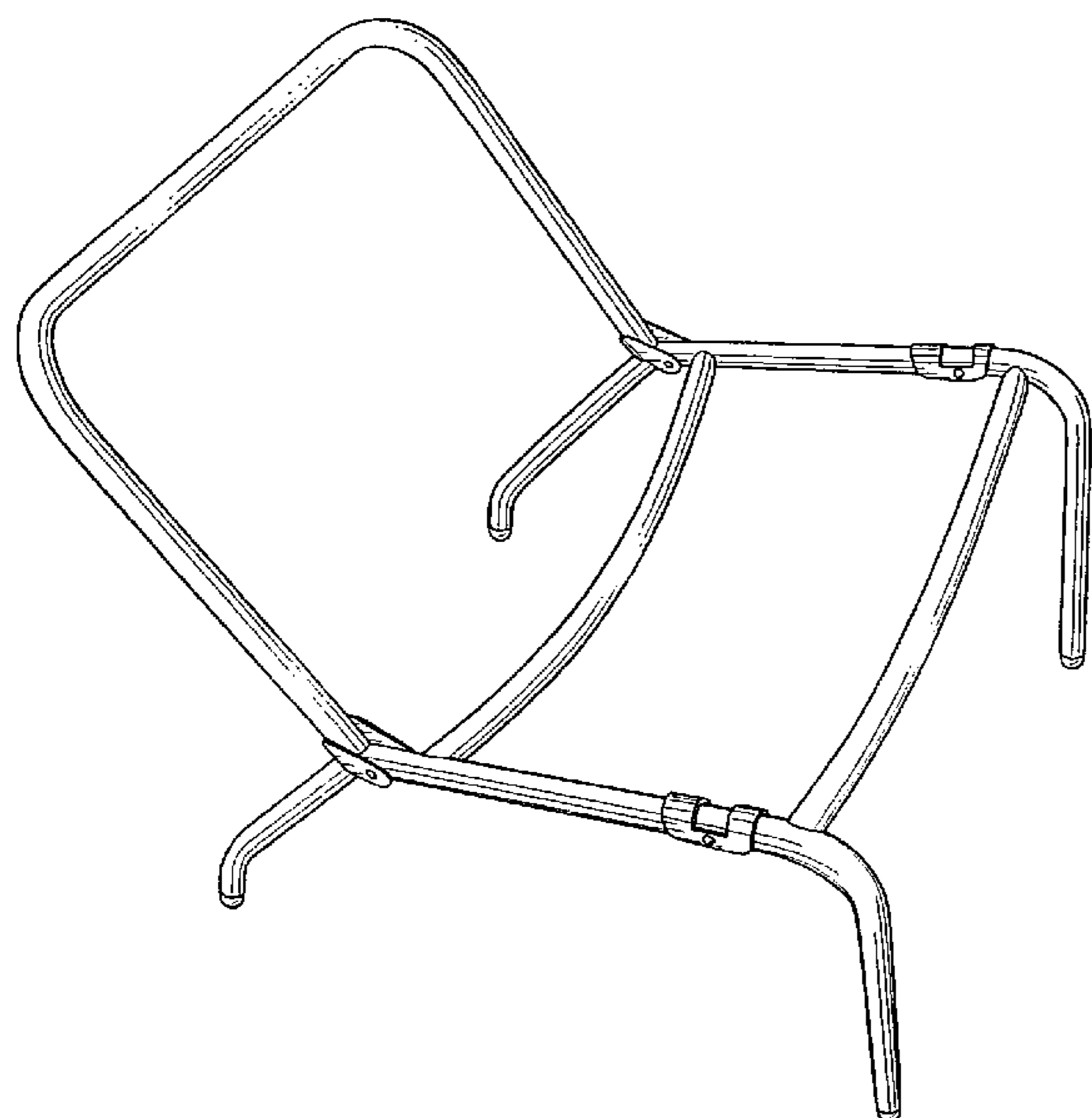
FIG. 7 is a bottom view thereof.

FIG. 8 is a perspective view of the folding chair of FIG. 1 shown in a folded condition; and,

FIG. 9 is a perspective view of the folding chair of FIG. 1 shown supporting a seat cushion.

The portions of the drawings appearing in broken line are for environment only and do not form a part of the design.

1 Claim, 6 Drawing Sheets



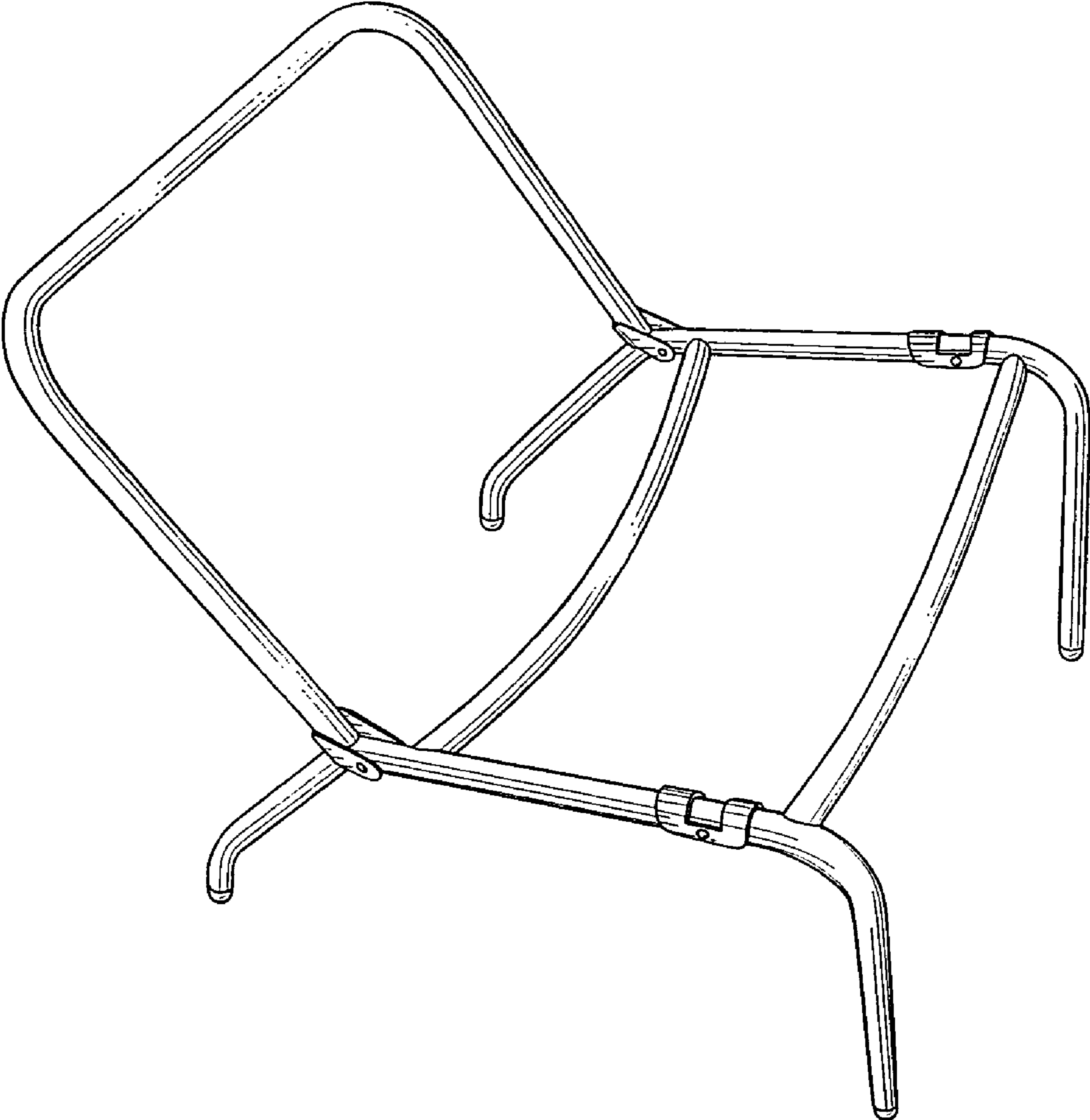


FIG. 1

FIG. 2

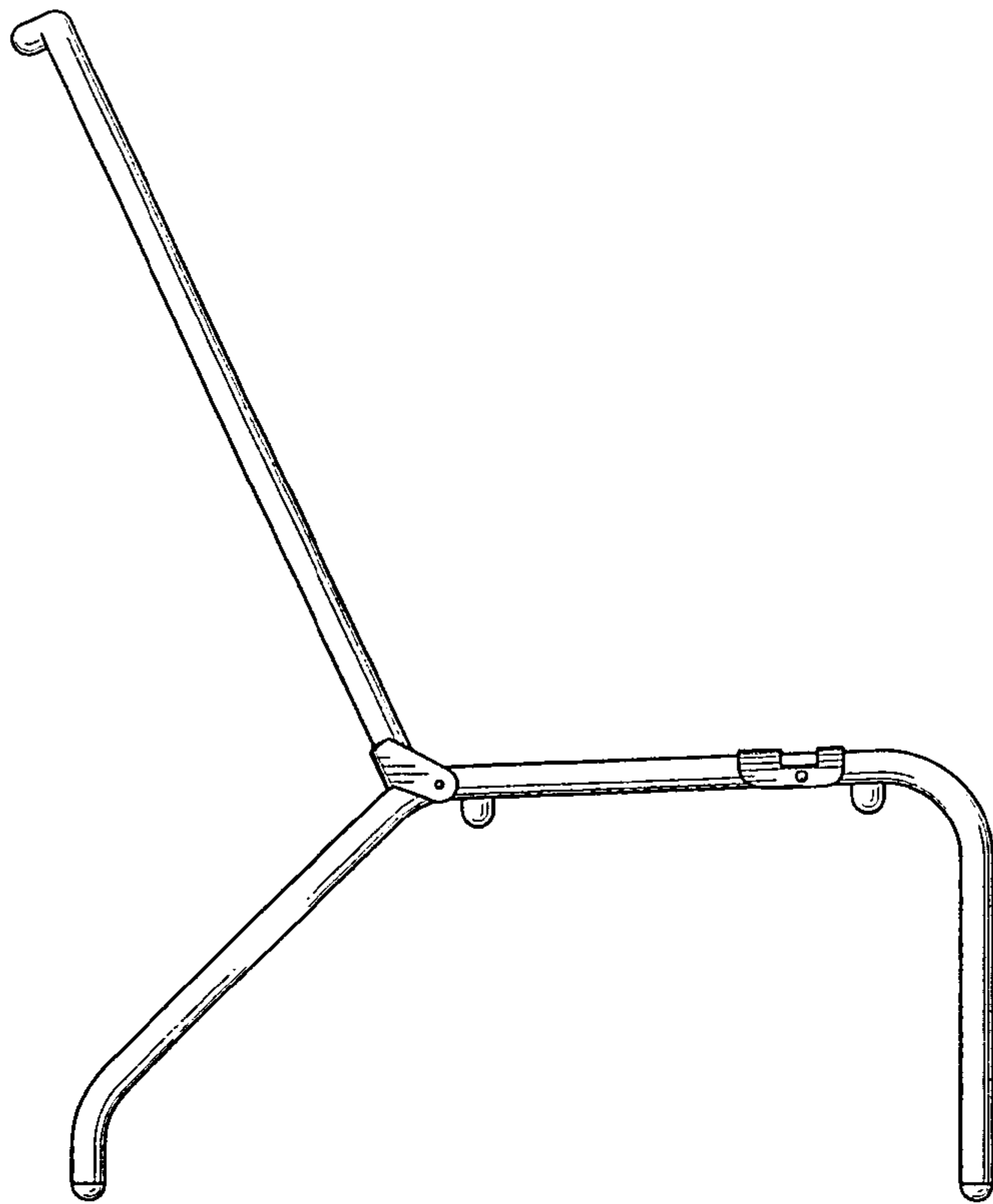
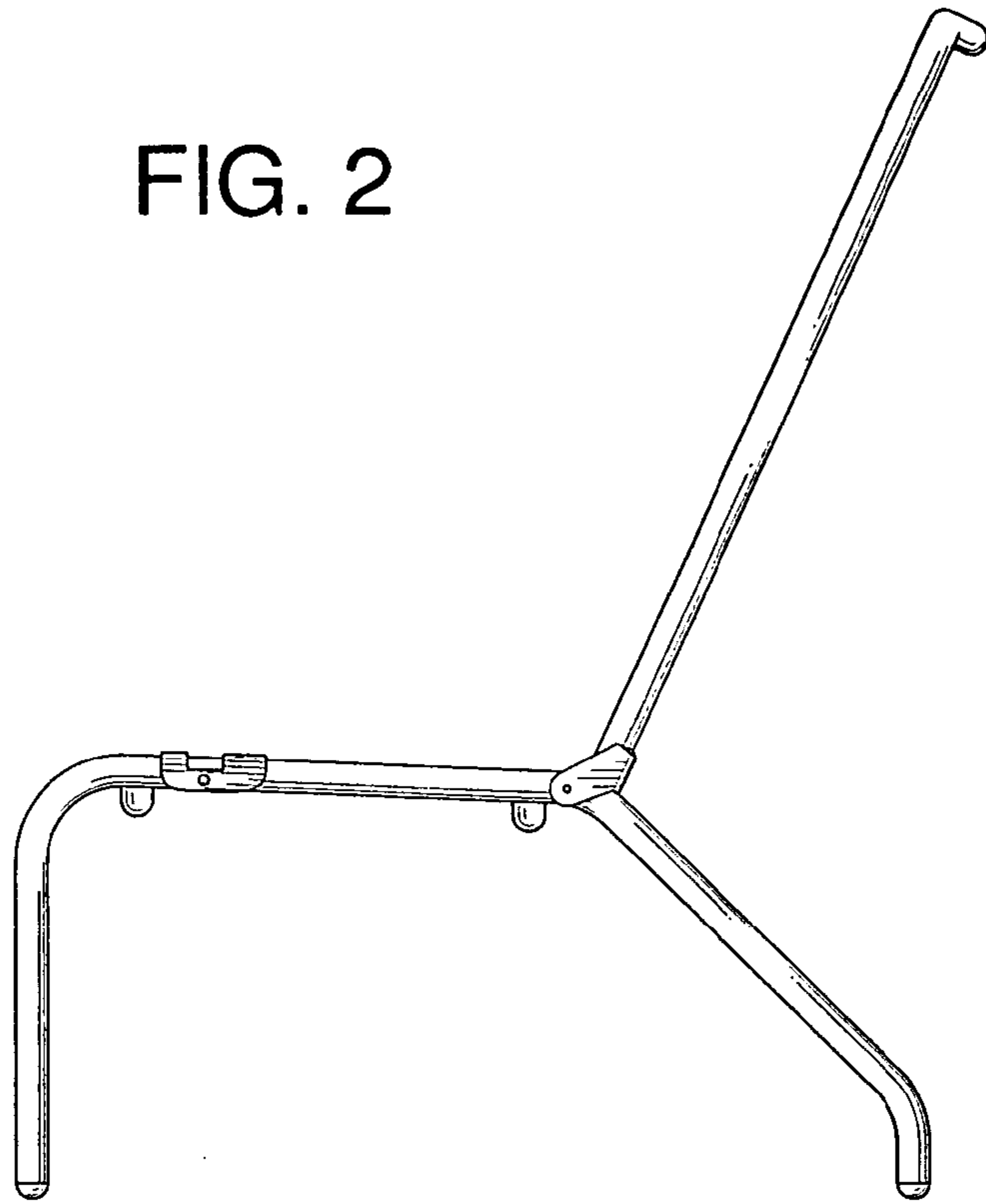


FIG. 3

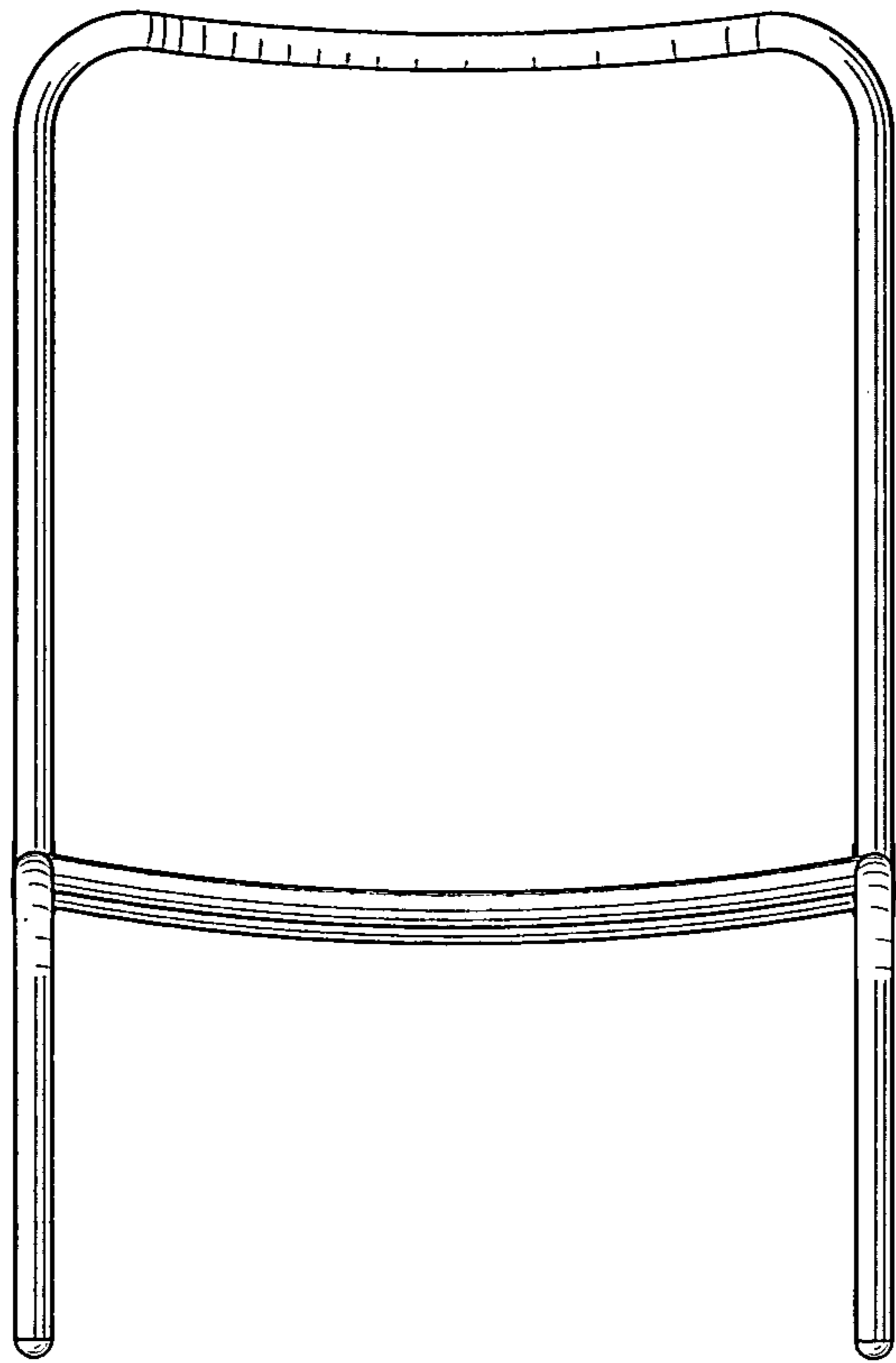


FIG. 4

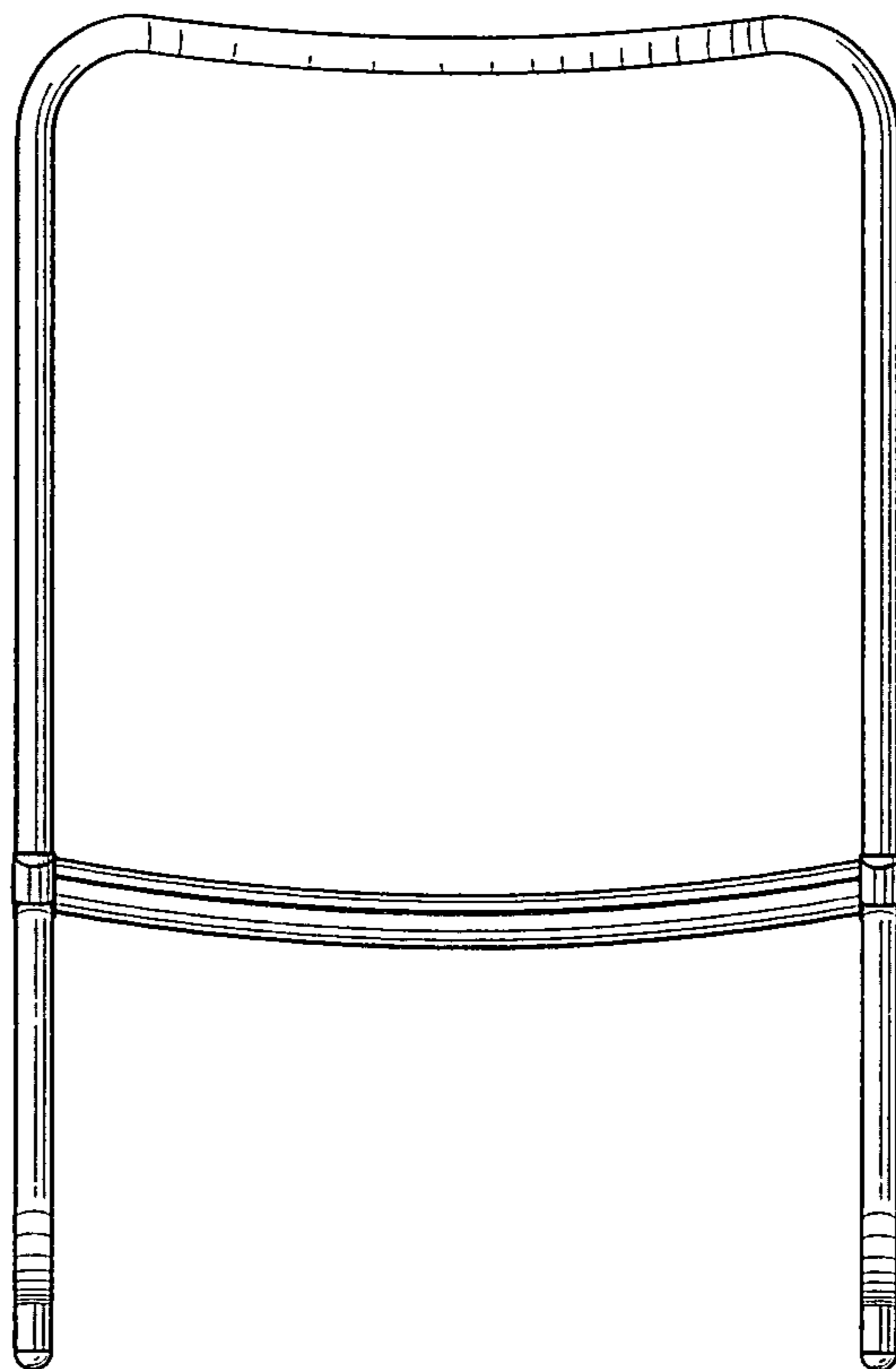


FIG. 5

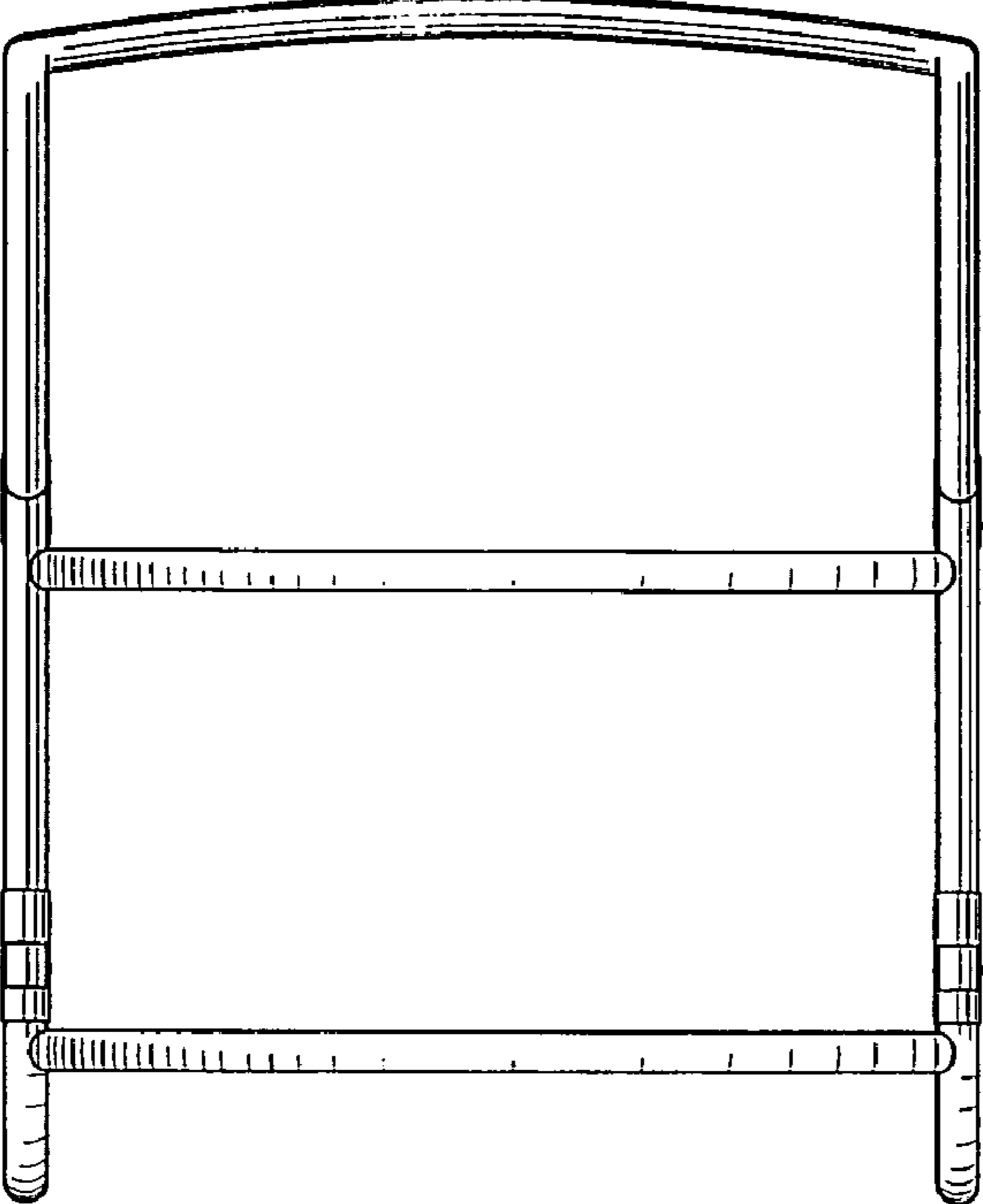


FIG. 6

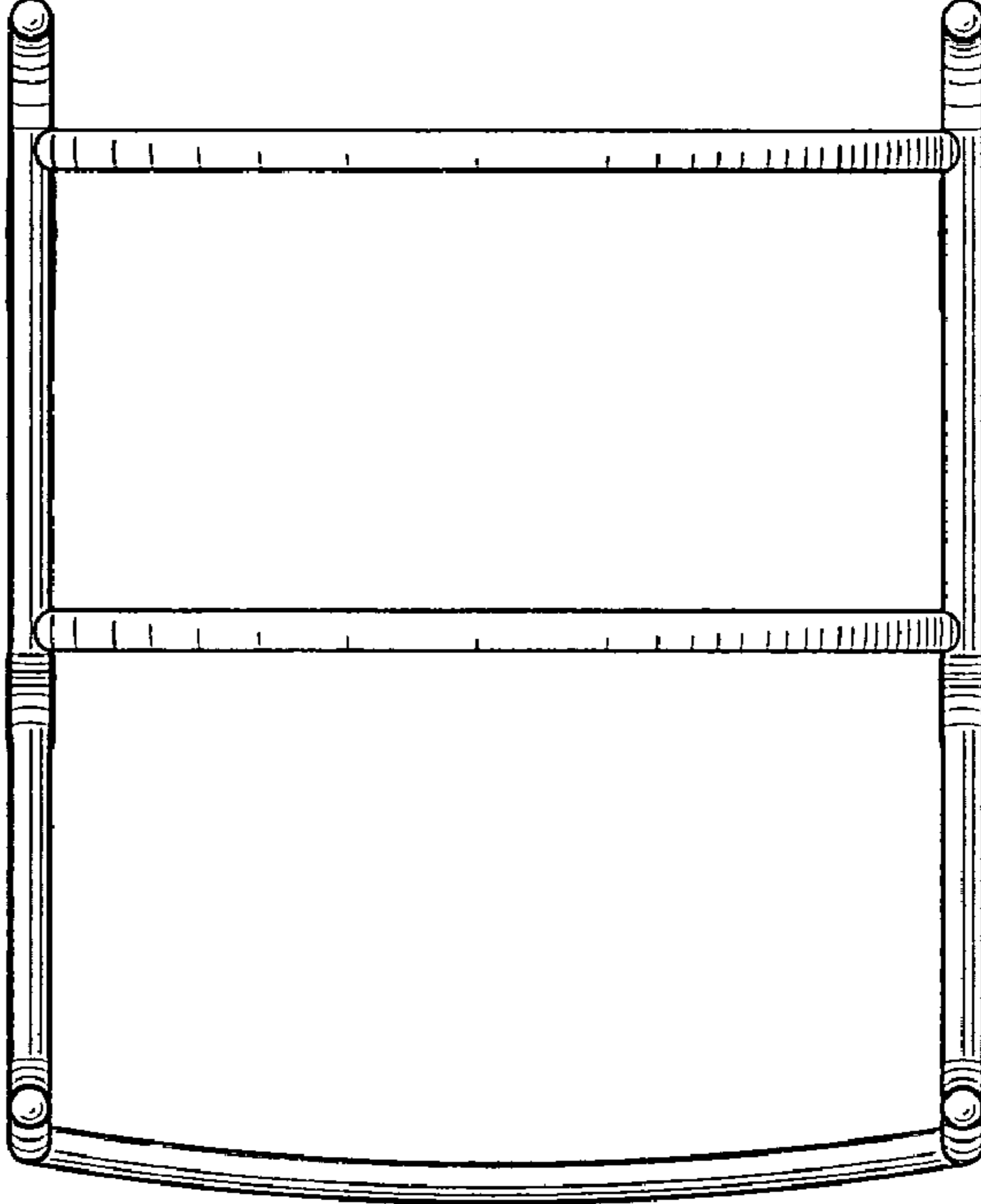


FIG. 7

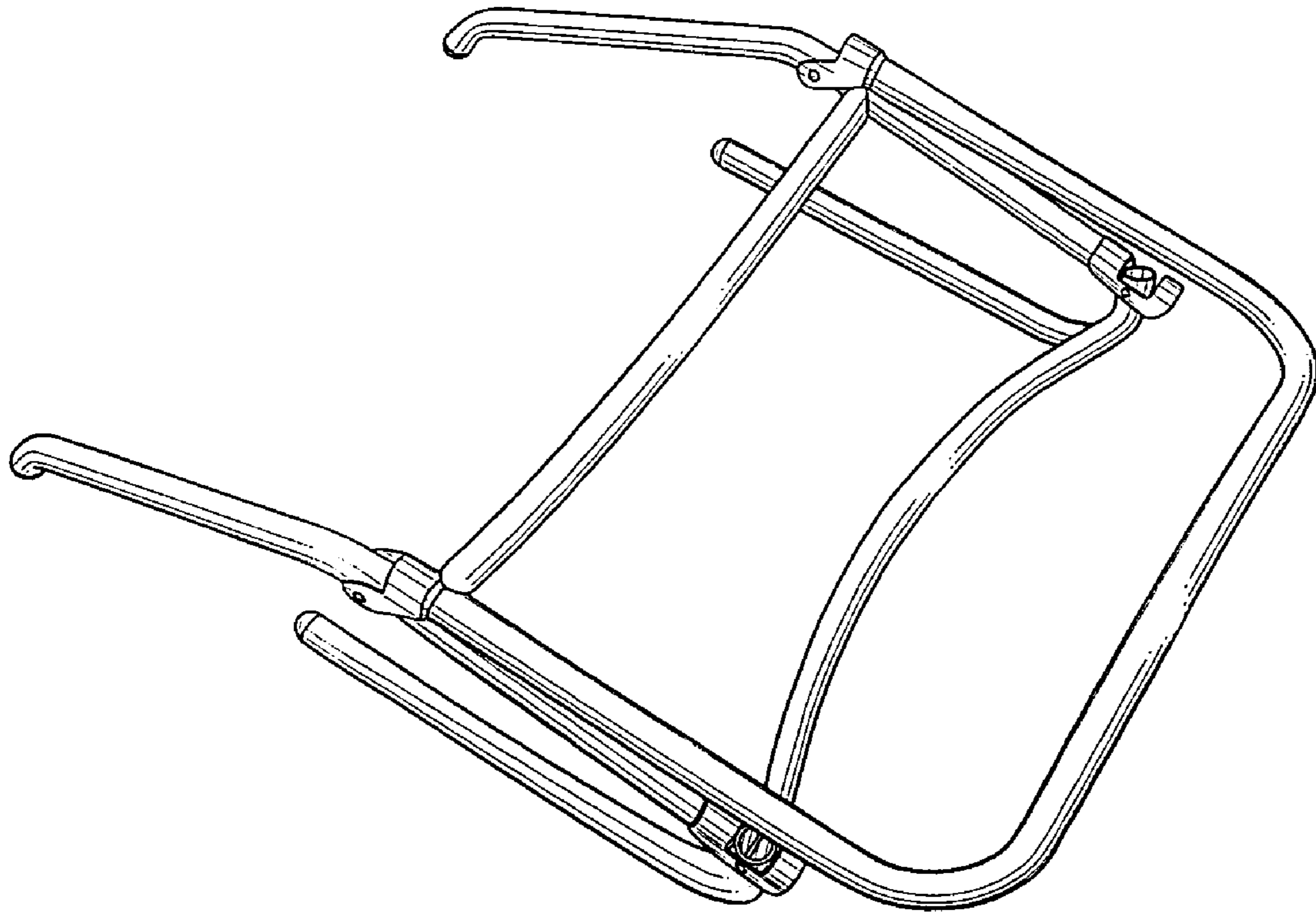


FIG. 8

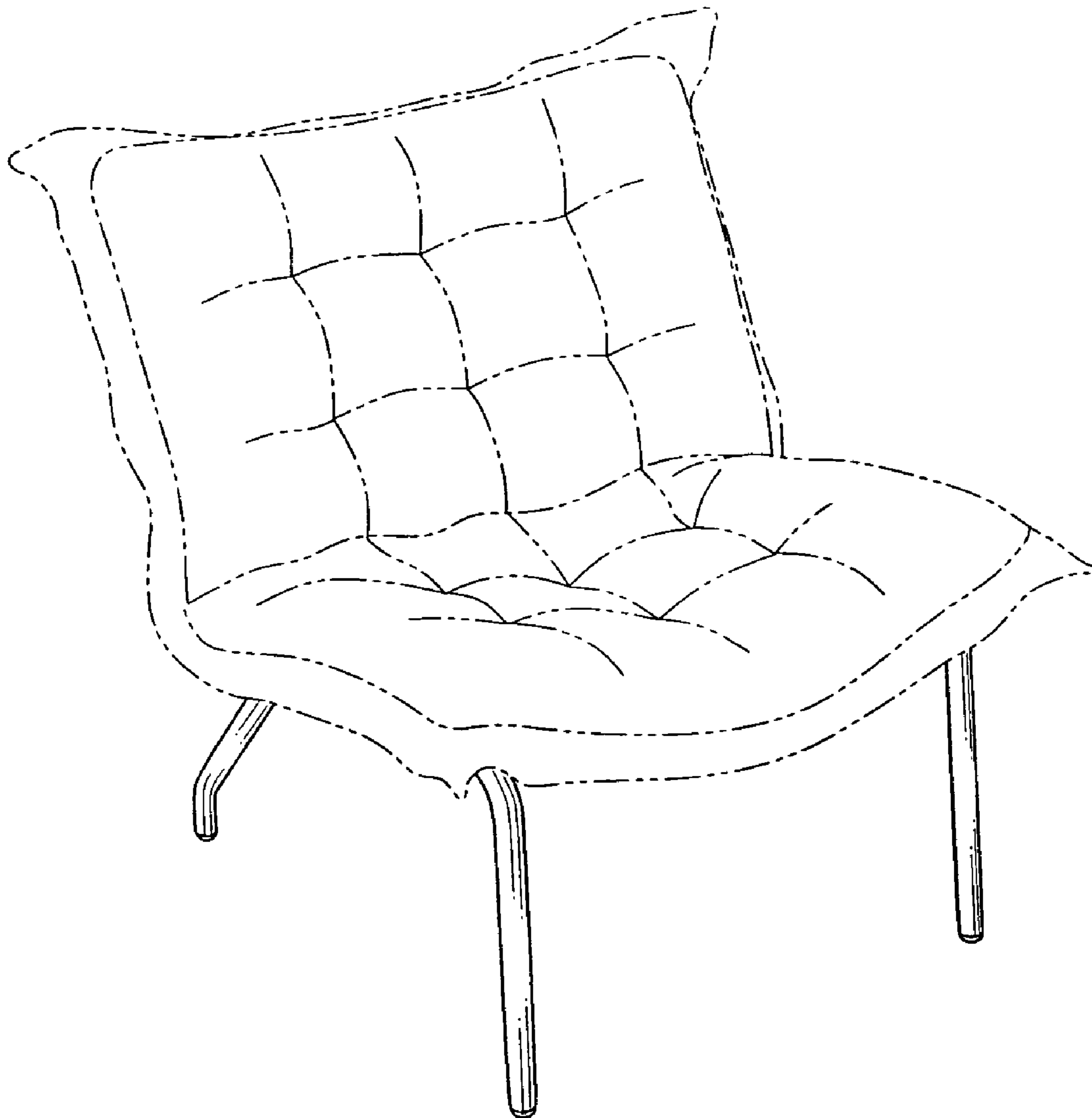


FIG. 9