

US00D543737S

(12) **United States Design Patent**  
**Held**

(10) **Patent No.:** **US D543,737 S**

(45) **Date of Patent:** **\*\* Jun. 5, 2007**

(54) **COVER FOR FURNITURE FITTING**

(57) **CLAIM**

(75) Inventor: **Wolfgang Held**, Hard (AT)

The ornamental design for a cover for furniture fitting, as shown and described.

(73) Assignee: **Julius Blum GmbH**, Höchst (AT)

(\*\*) Term: **14 Years**

**DESCRIPTION**

(21) Appl. No.: **29/241,817**

FIG. 1 is a top view of a cover for a furniture fitting according to the present design;

(22) Filed: **Nov. 2, 2005**

FIG. 2 is a bottom view thereof;

(51) **LOC (8) Cl.** ..... **06-06**

FIG. 3 is a perspective view taken from the front, top and right sides of the cover;

(52) **U.S. Cl.** ..... **D6/500**

FIG. 4 is a left side view;

(58) **Field of Classification Search** ..... D6/334-336,  
D6/356, 366, 367, 375, 376, 379, 380, 491,  
D6/500-502; 297/411.2, 411.23, 411.26,  
297/411.35, 411.36, 411.38

FIG. 5 is a right side view;

See application file for complete search history.

FIG. 6 is a rear view;

FIG. 7 is a front view; and

(56) **References Cited**

FIG. 8 is another perspective view from the front, left and top side of the cover;

**U.S. PATENT DOCUMENTS**

FIG. 9 is a top view of a second embodiment of a cover for furniture fitting according to the present design;

1,326,165 A \* 12/1919 Berninghauss ..... 297/411.26

FIG. 10 is a bottom view thereof;

5,590,934 A \* 1/1997 Gibbs ..... 297/411.38

FIG. 11 is a perspective view taken from the front, right and top side of the cover;

5,823,624 A \* 10/1998 Dahlbacka ..... 297/411.36

FIG. 12 is a left side view;

5,927,811 A \* 7/1999 Tseng ..... 297/411.35

FIG. 13 is a right side view;

6,957,866 B1 \* 10/2005 Cai ..... 297/411.35

FIG. 14 is a rear view;

D534,005 S \* 12/2006 Beermann ..... D6/356

FIG. 15 is a front view; and,

2005/0189807 A1 \* 9/2005 Norman et al. .... 297/411.35

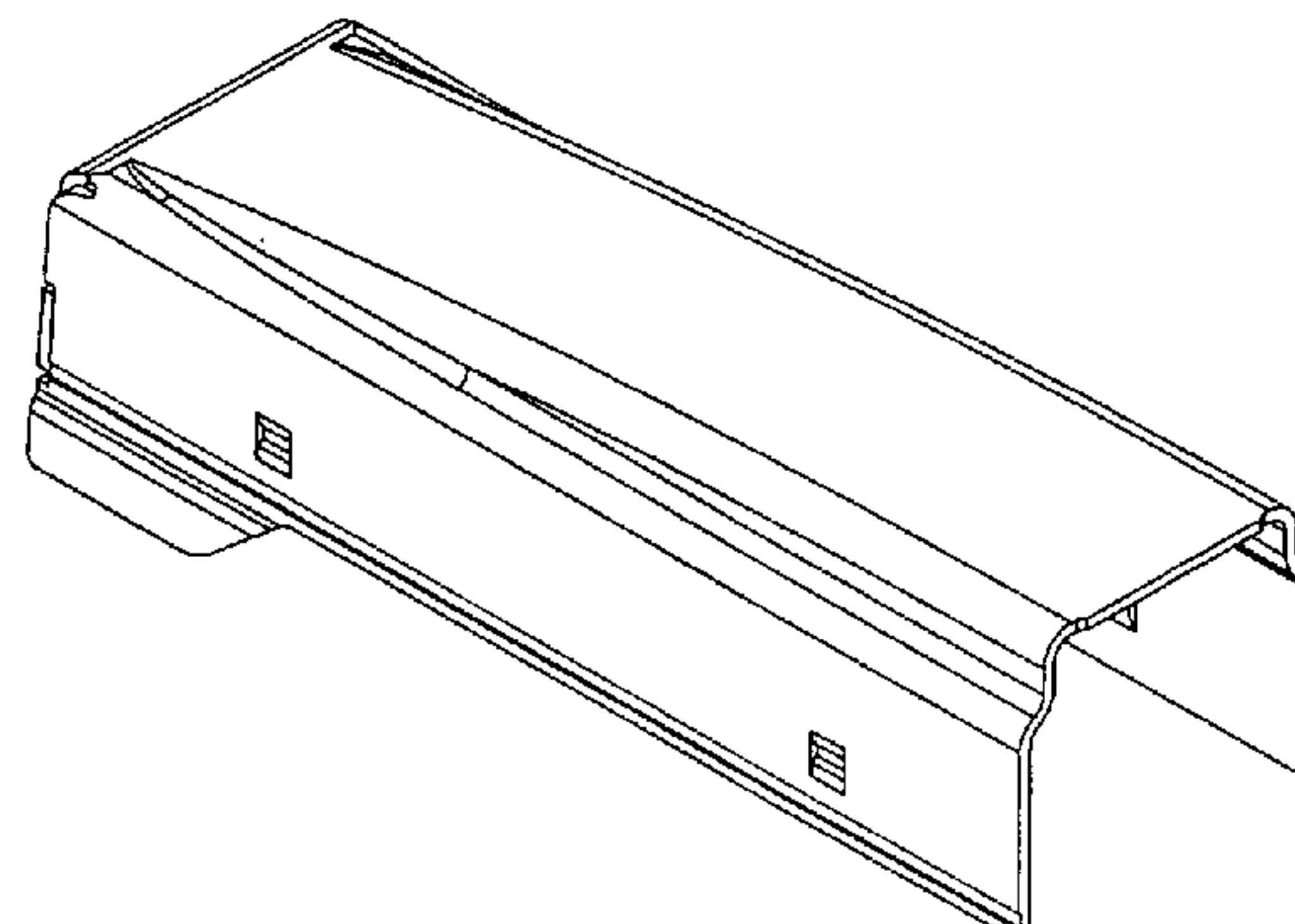
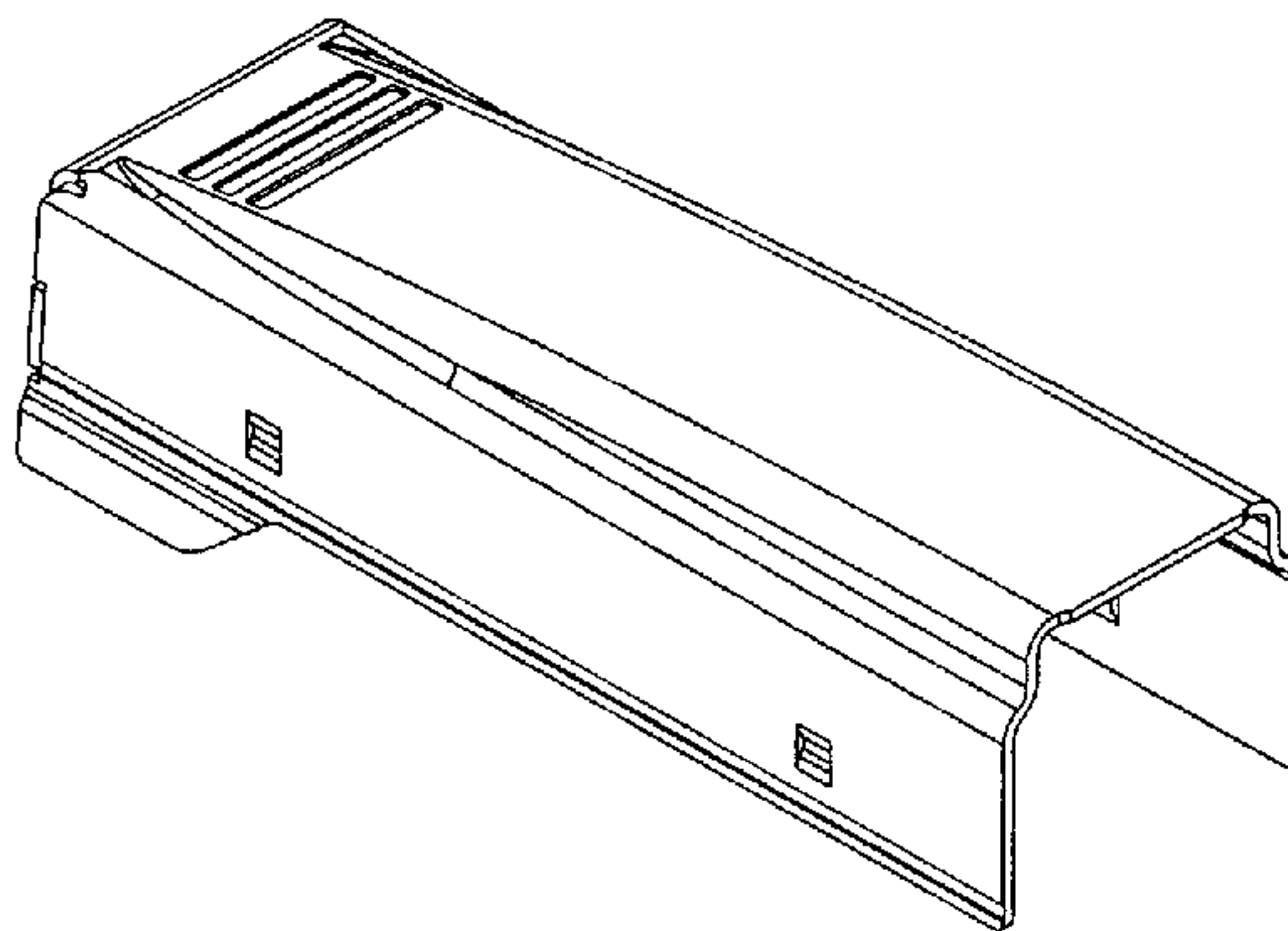
FIG. 16 is another perspective view taken from the front, left and top side of the cover.

\* cited by examiner

*Primary Examiner*—Mimosa De

(74) *Attorney, Agent, or Firm*—Wenderoth, Lind & Ponack,  
L.L.P.

**1 Claim, 16 Drawing Sheets**



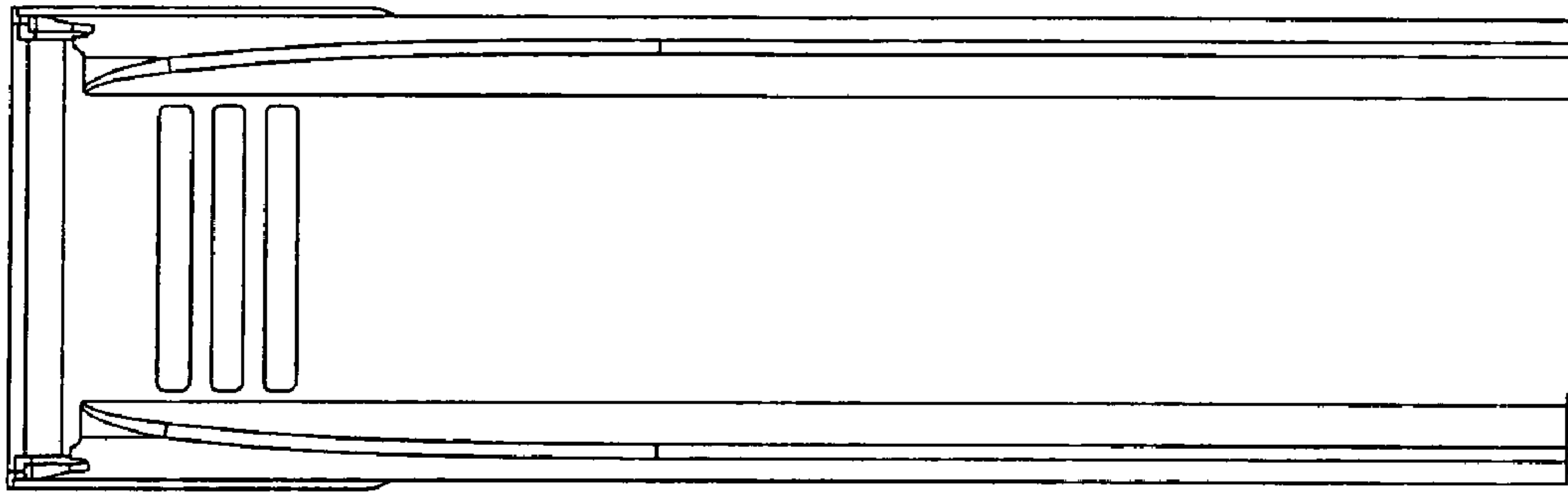


FIG. 1

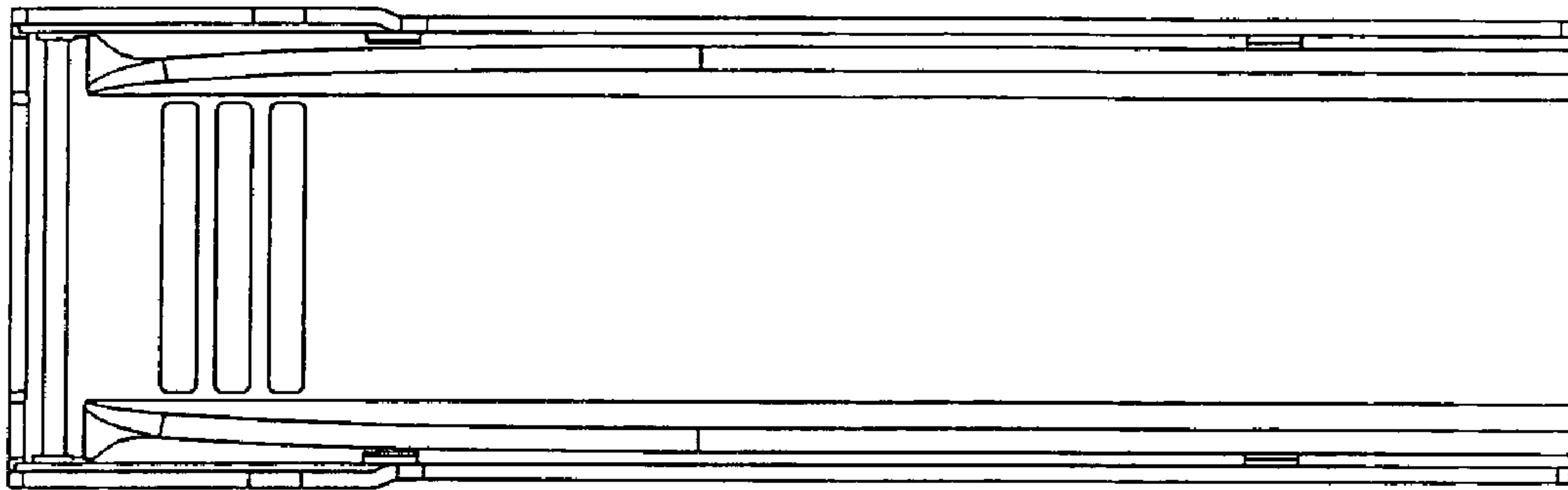


FIG. 2

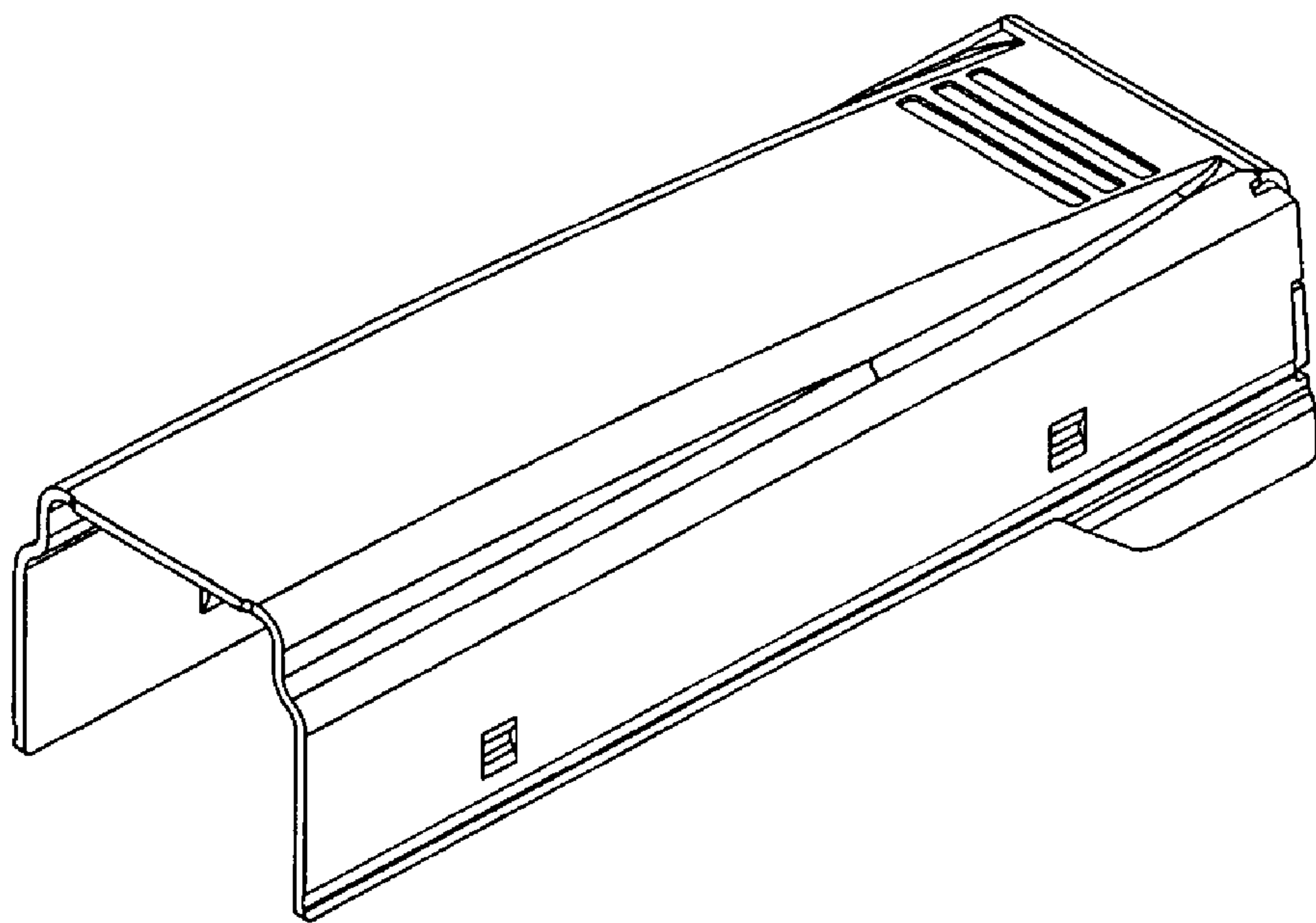


FIG. 3

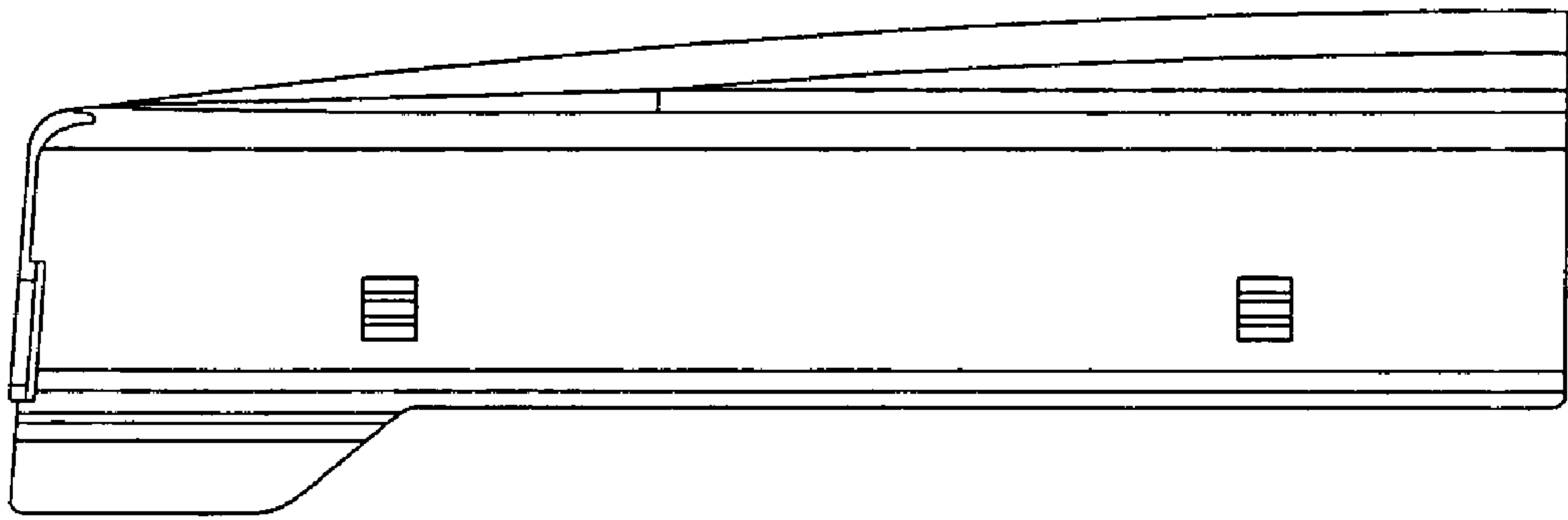


FIG. 4

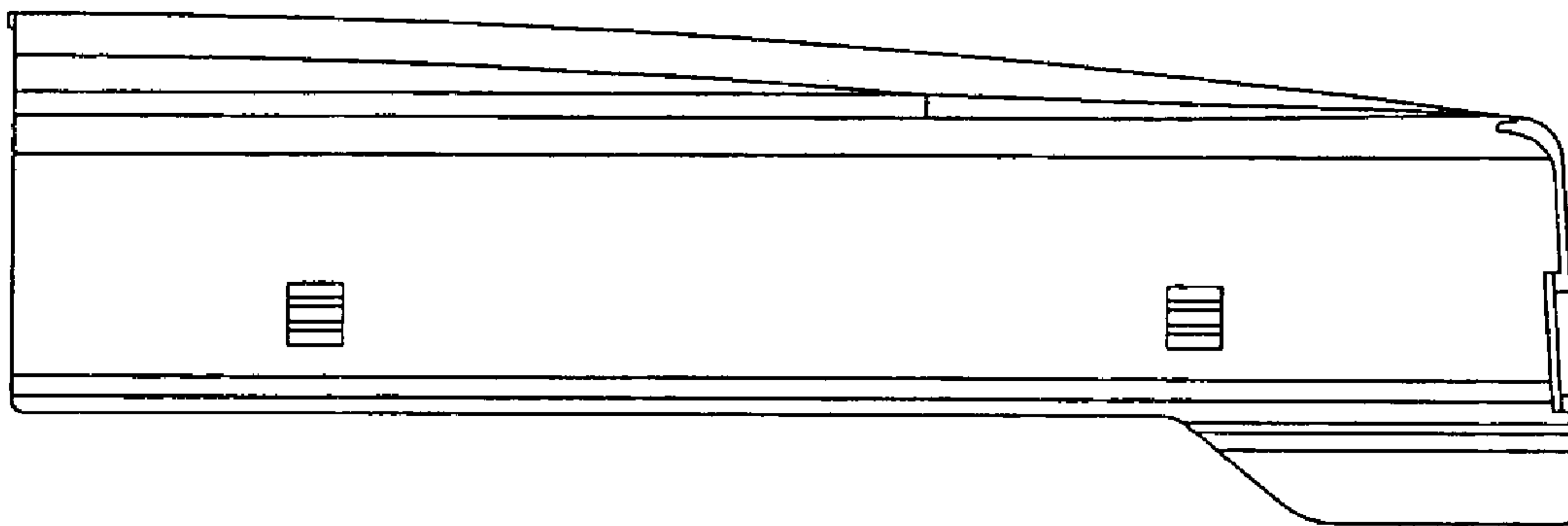


FIG. 5

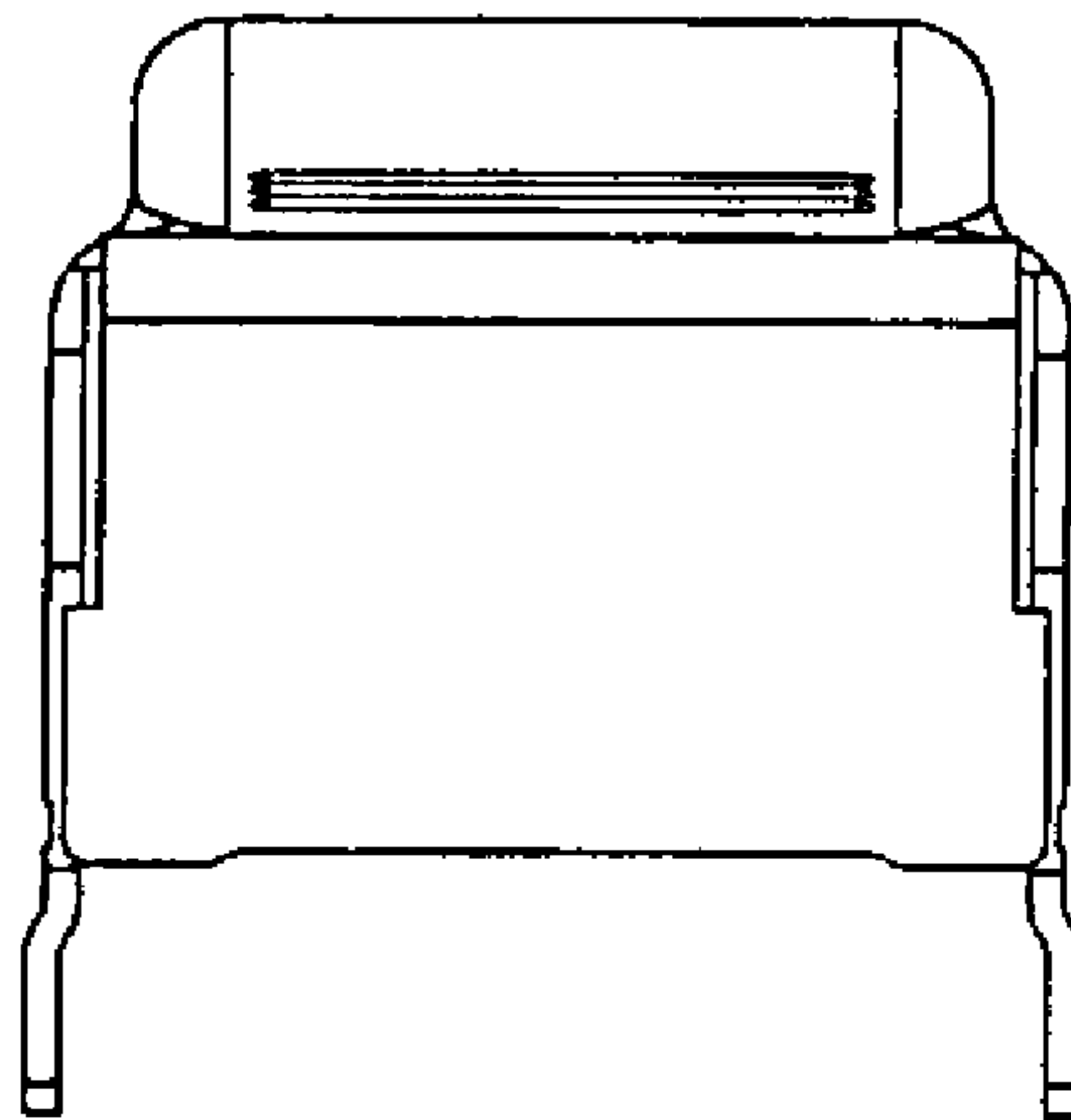


FIG. 6

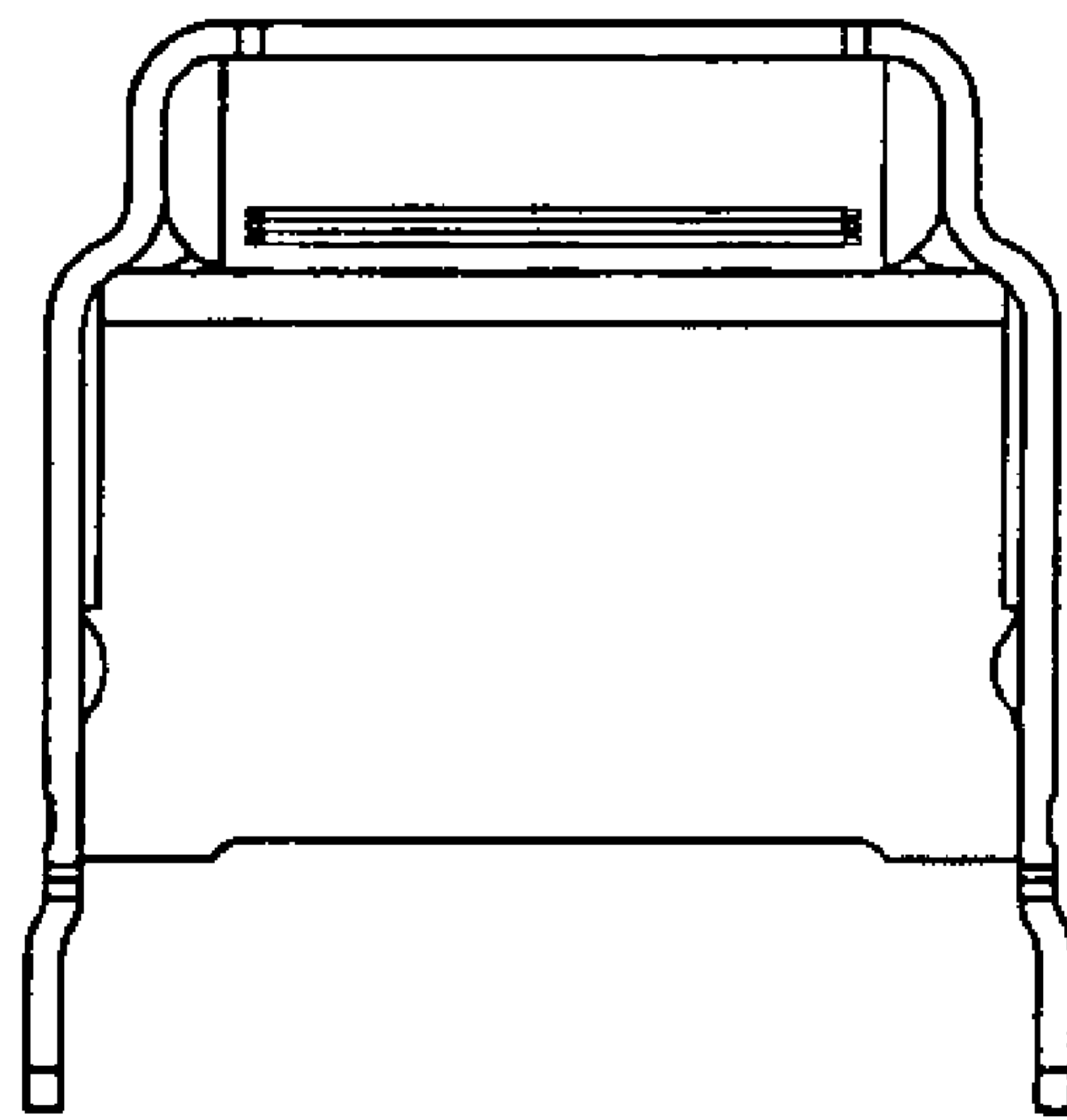


FIG. 7



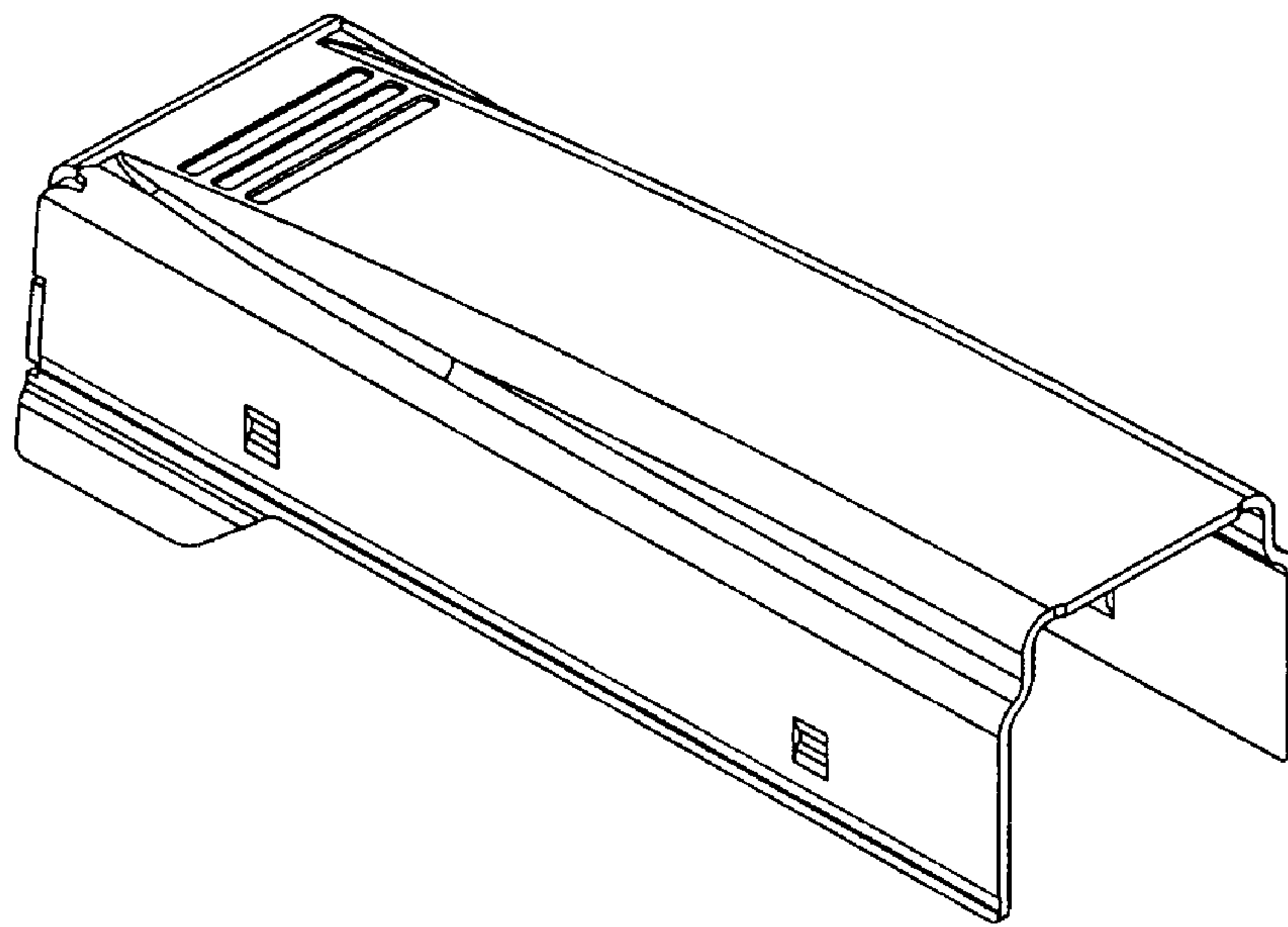


FIG. 8

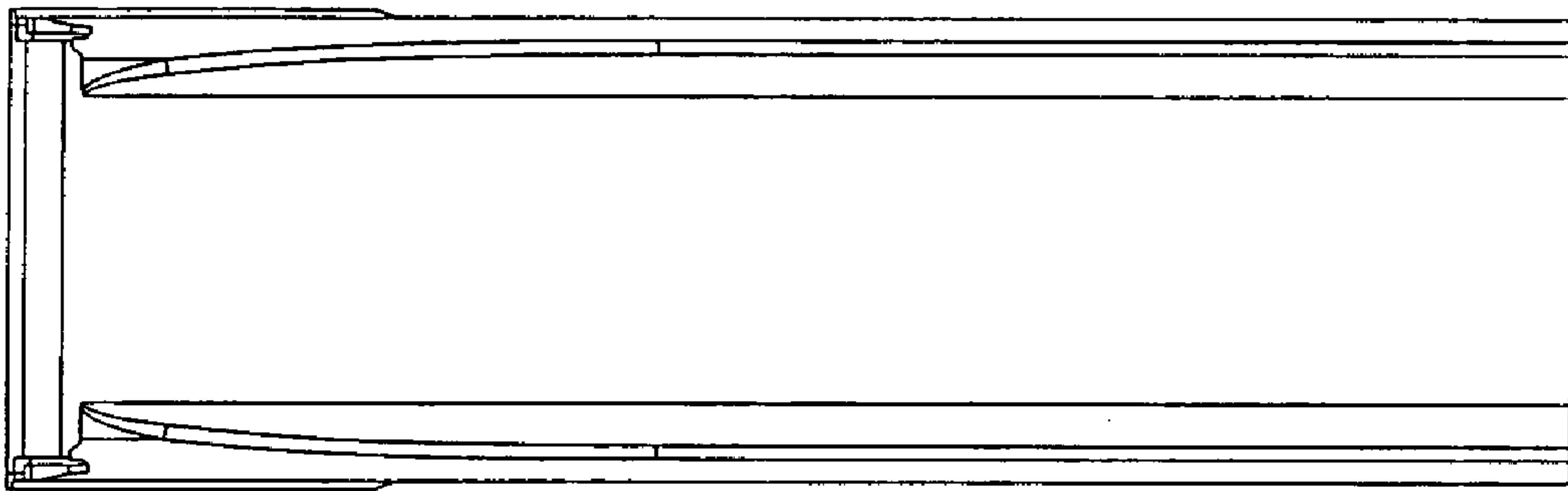


FIG. 9

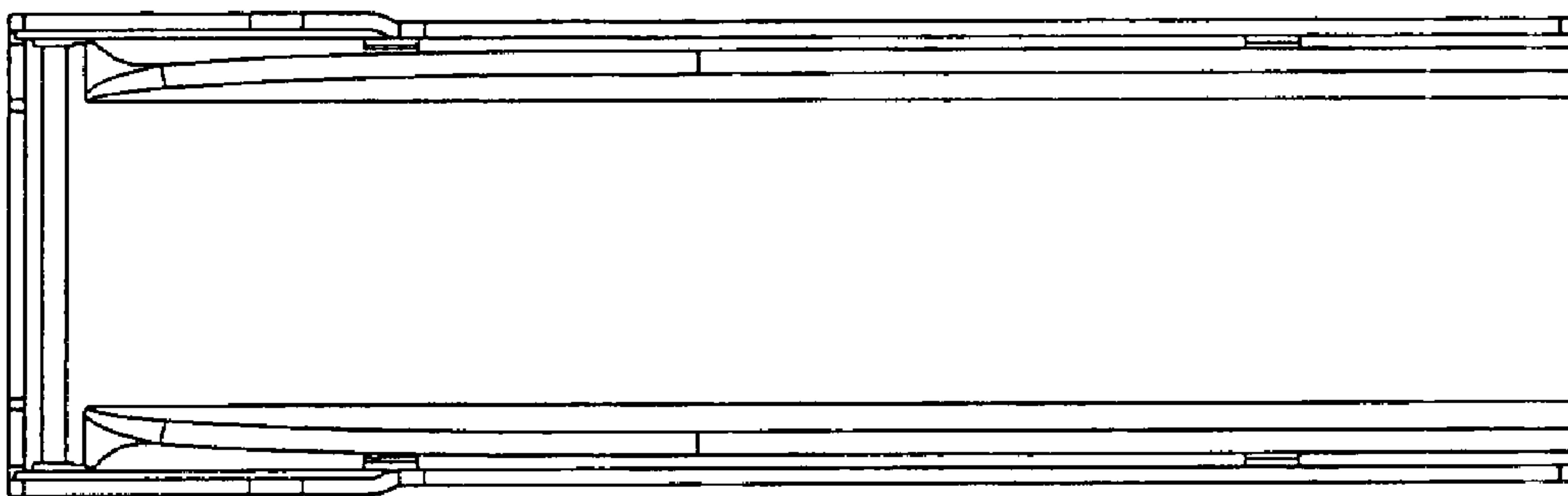


FIG. 10

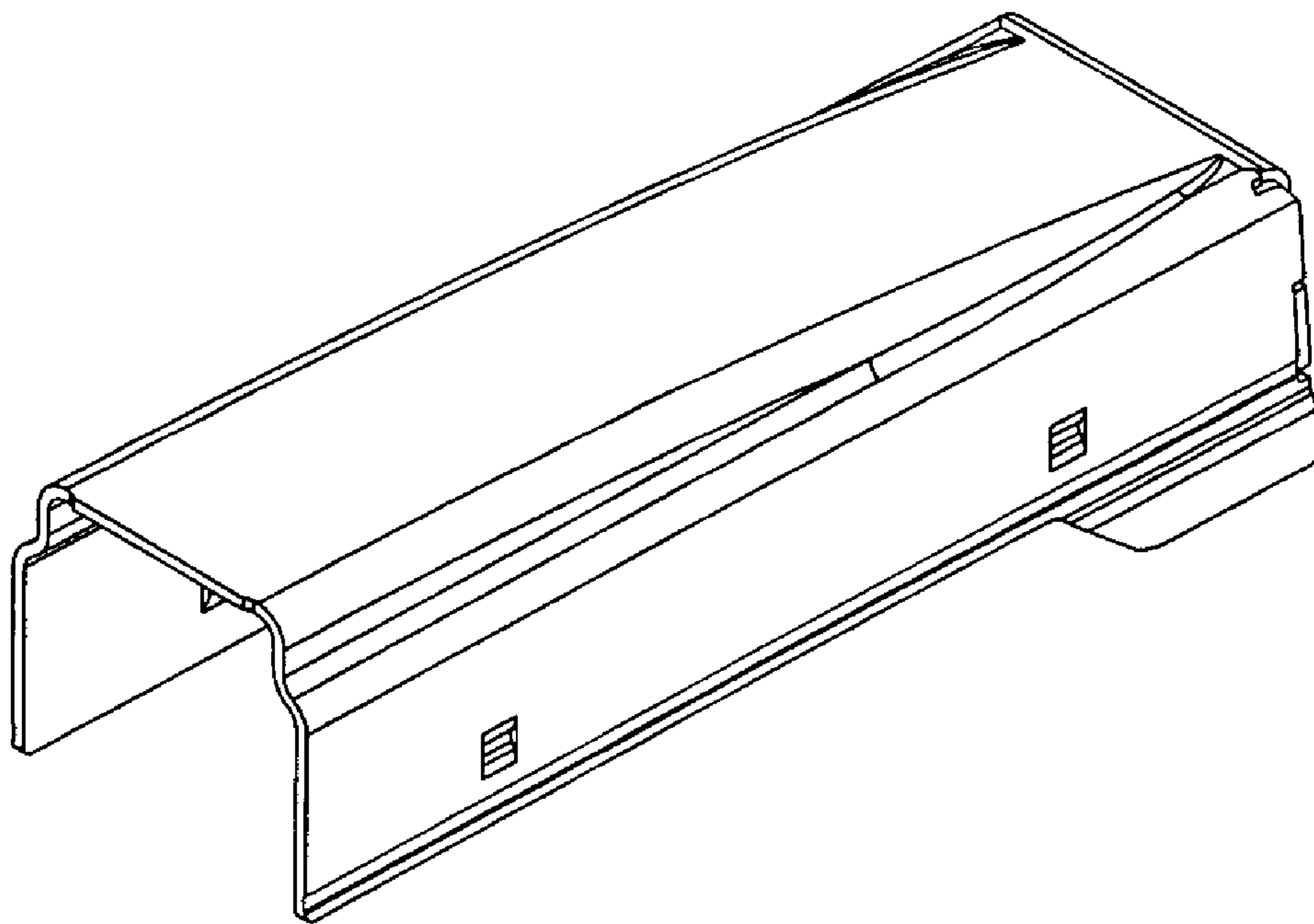


FIG. 11

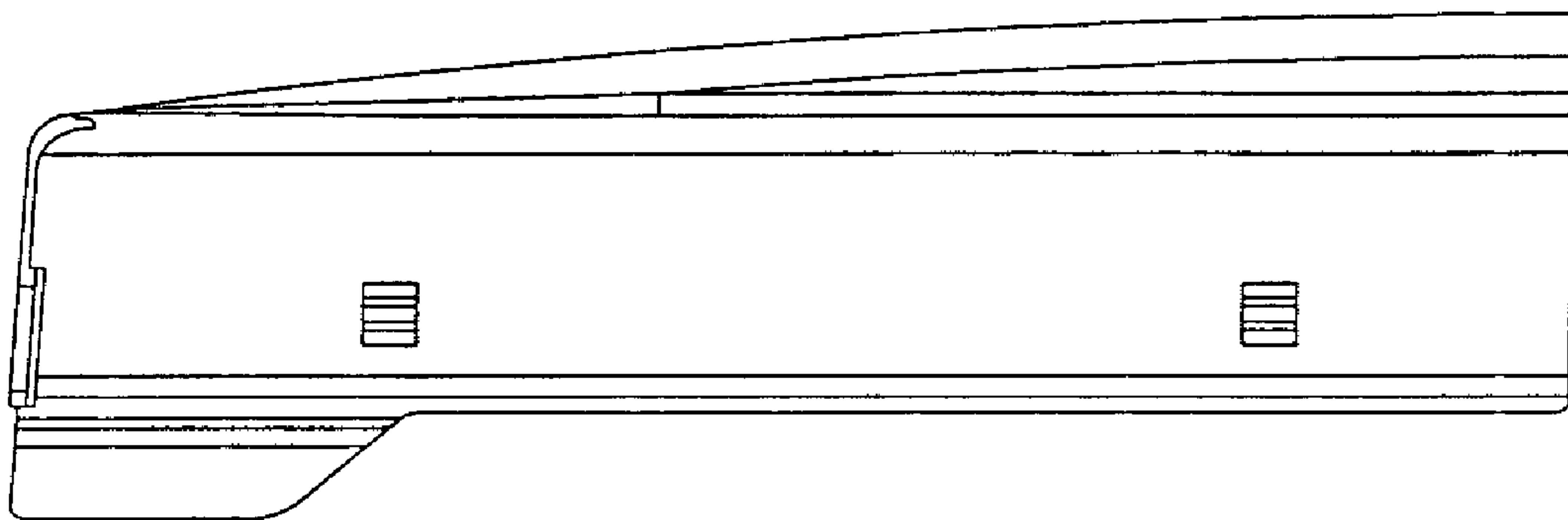


FIG. 12

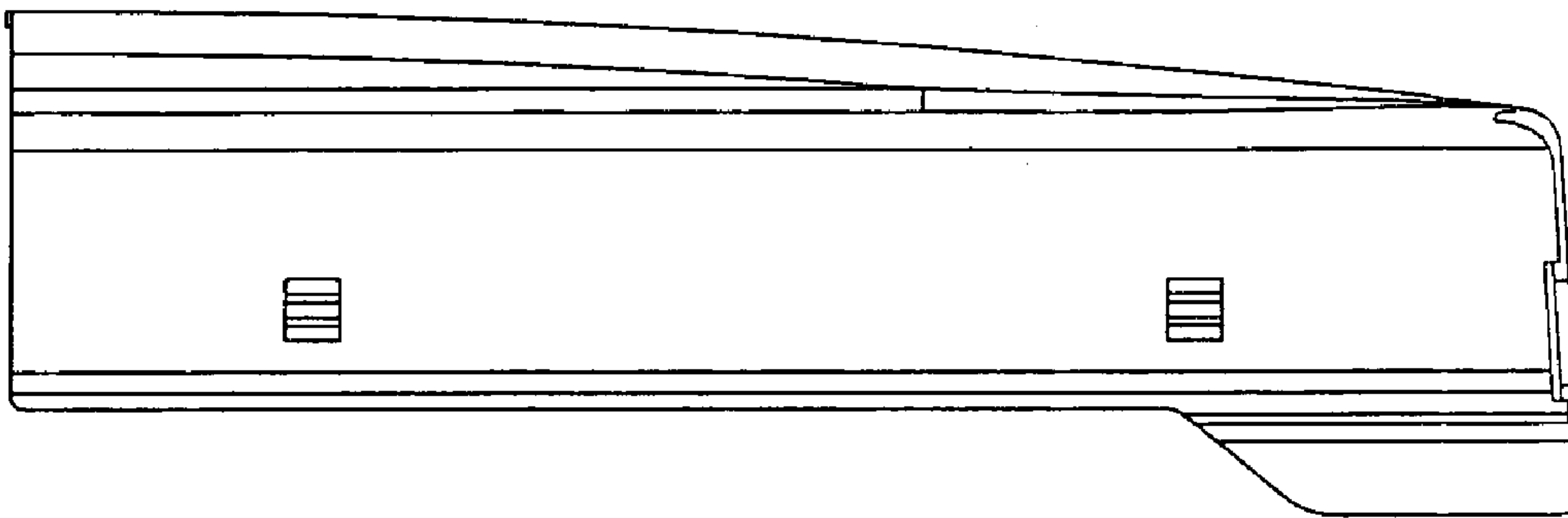


FIG. 13

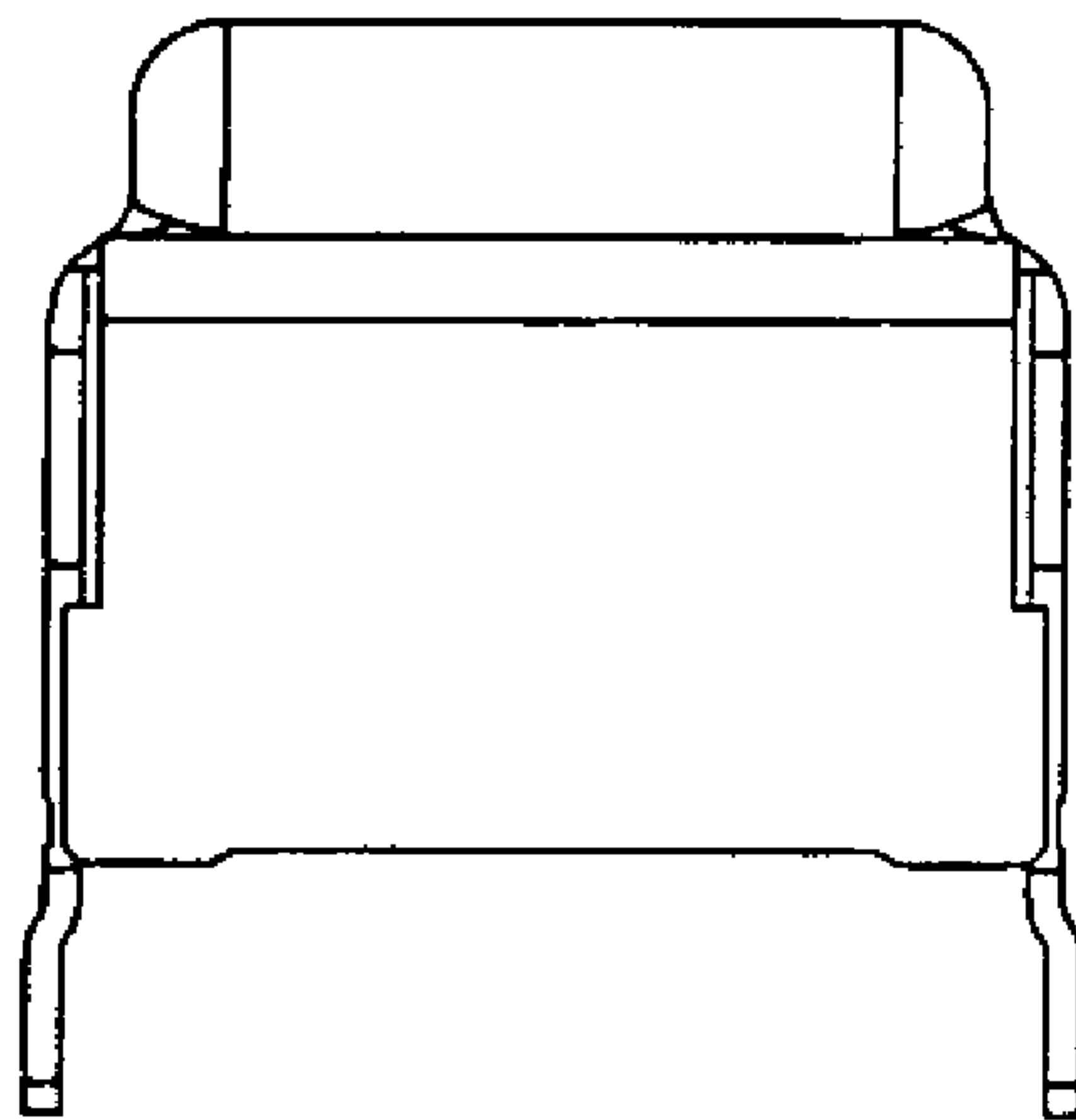


FIG. 14

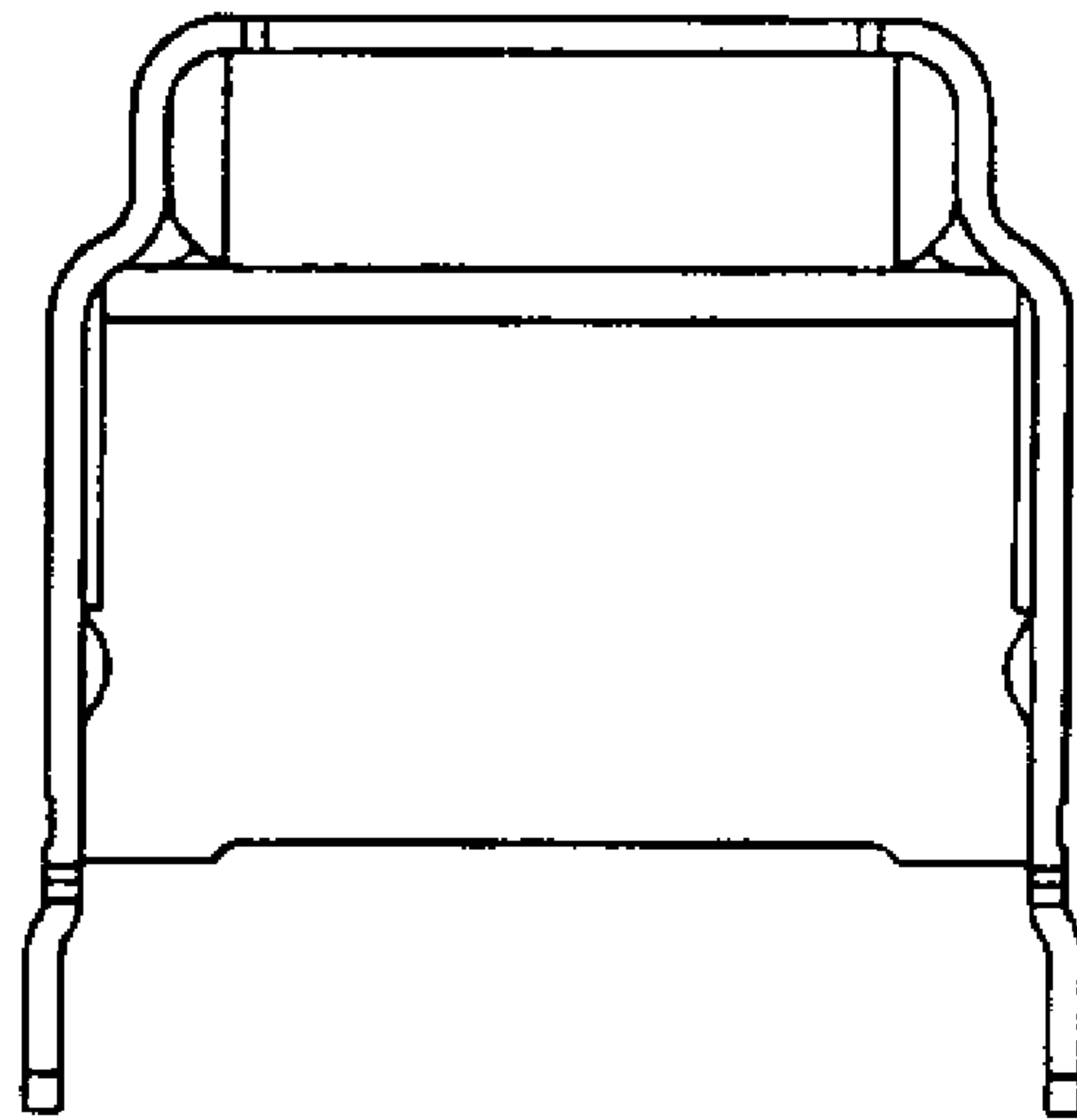


FIG. 15



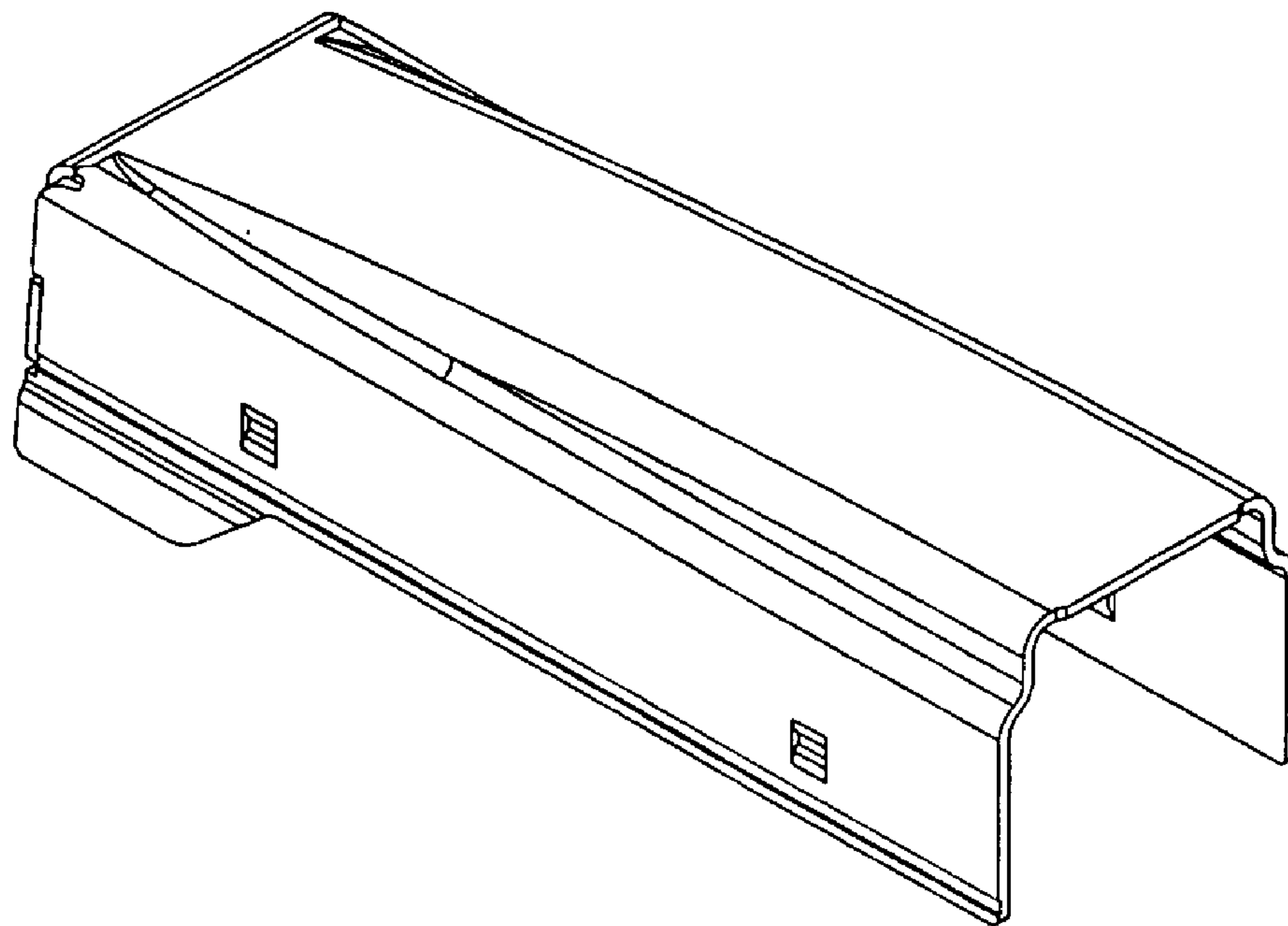


FIG. 16