



US00D543736S

(12) **United States Design Patent**  
**Shields**

(10) **Patent No.:** **US D543,736 S**

(45) **Date of Patent:** **\*\* Jun. 5, 2007**

(54) **CHAIR**

(75) Inventor: **Michael R. Shields**, Greensboro, NC  
(US)

(73) Assignee: **Steelcase Development Corporation**,  
Grand Rapids, MI (US)

(\*\*) Term: **14 Years**

(21) Appl. No.: **29/231,522**

(22) Filed: **Jun. 7, 2005**

(51) **LOC (8) Cl.** ..... **06-06**

(52) **U.S. Cl.** ..... **D6/500; D6/366; D6/375**

(58) **Field of Classification Search** ..... **D6/334-336,**  
**D6/364, 365, 366, 374, 375, 379, 380, 500-502;**  
**297/411.2, 411.44, 452.19, 452.29**  
See application file for complete search history.

(56) **References Cited**

**U.S. PATENT DOCUMENTS**

D269,743 S *	7/1983	Muller-Deisig	.....	D6/366
D270,309 S *	8/1983	Ochsner	.....	D6/366
D285,629 S *	9/1986	Franck et al.	.....	D6/366
D292,655 S *	11/1987	Hendrick	.....	D6/366
D308,310 S *	6/1990	Wilson	.....	D6/502
D313,703 S *	1/1991	Moschini et al.	.....	D6/366
D318,763 S *	8/1991	George et al.	.....	D6/366
D353,268 S *	12/1994	Ambasz	.....	D6/366
D354,631 S *	1/1995	Orlandini et al.	.....	D6/366
D355,303 S *	2/1995	Scheper et al.	.....	D6/366
D355,534 S *	2/1995	Saotome	.....	D6/366
D379,408 S *	5/1997	Feldberg	.....	D6/366
D390,387 S *	2/1998	Buffon	.....	D6/502
D429,584 S *	8/2000	Brettschneider et al.	.....	D6/500
D446,396 S *	8/2001	Phillips et al.	.....	D6/366
D494,788 S *	8/2004	True	.....	D6/500
D505,799 S *	6/2005	Huang	.....	D6/366
D518,319 S *	4/2006	True	.....	D6/500

\* cited by examiner

*Primary Examiner*—Mimosa De

(74) *Attorney, Agent, or Firm*—Quarles & Brady LLP

(57) **CLAIM**

The ornamental design for a chair, as shown and described.

**DESCRIPTION**

FIG. 1 is a front, left perspective view of a first embodiment of a chair embodying my new design;

FIG. 2 is a front elevational view thereof;

FIG. 3 is a left side elevational view thereof, the right side elevational view being a mirror image thereof;

FIG. 4 is a rear elevational view thereof;

FIG. 5 is a top plan view thereof;

FIG. 6 is a front, left perspective view of a second embodiment of a chair embodying my new design;

FIG. 7 is a front elevational view thereof;

FIG. 8 is a left side elevational view thereof, the right side elevational view being a mirror image thereof;

FIG. 9 is a rear elevational view thereof;

FIG. 10 is a top plan view thereof;

FIG. 11 is a front, left perspective view of a third embodiment of a chair embodying my new design;

FIG. 12 is a front elevational view thereof;

FIG. 13 is a left side elevational view thereof, the right side elevational view being a mirror image thereof;

FIG. 14 is a rear elevational view thereof;

FIG. 15 is a top plan view thereof;

FIG. 16 is a front, left perspective view of a fourth embodiment of a chair embodying my new design;

FIG. 17 is a front elevational view thereof;

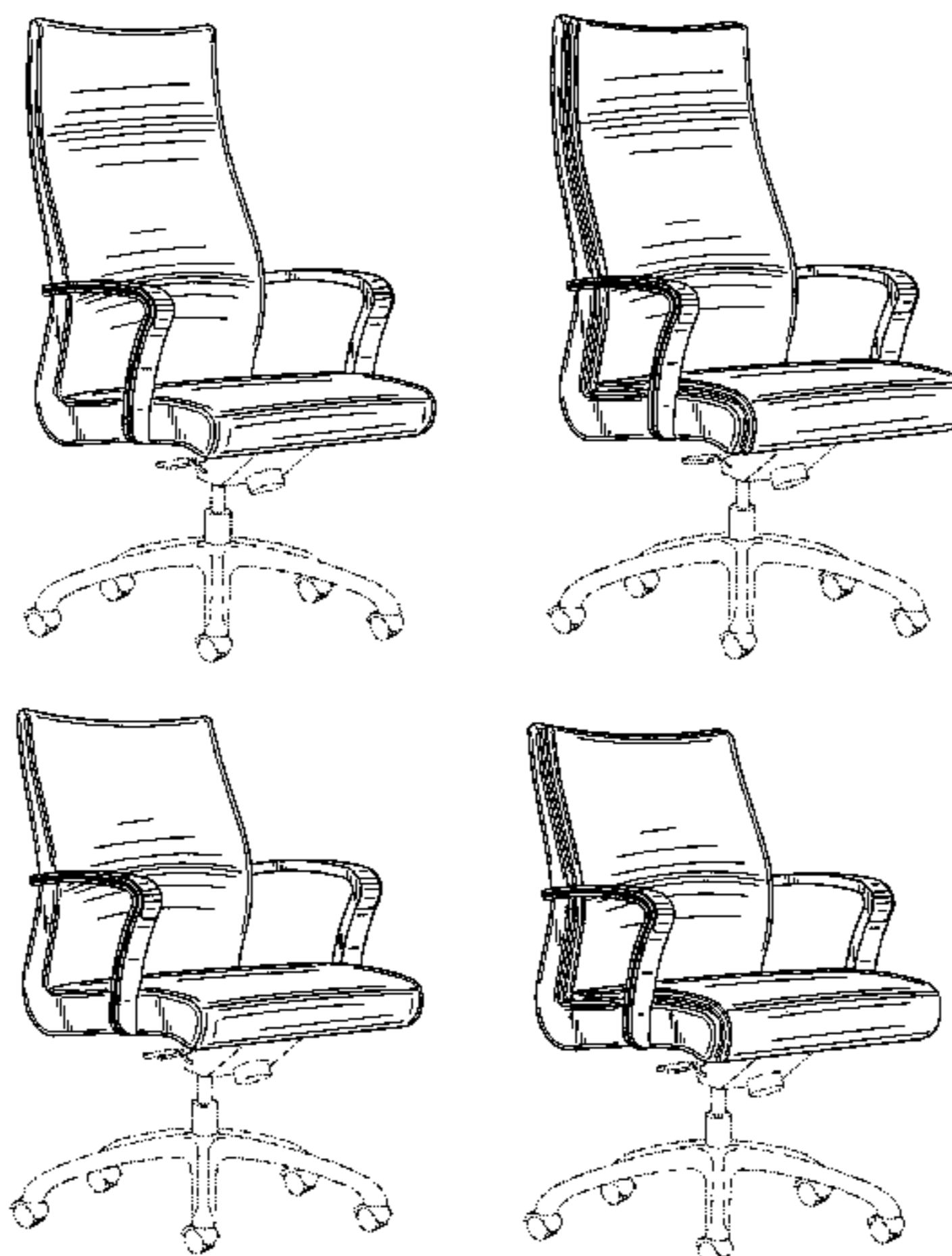
FIG. 18 is a left side elevational view thereof, the right side elevational view being a mirror image thereof;

FIG. 19 is a rear elevational view thereof; and,

FIG. 20 is a top plan view thereof.

The broken line representations of chair support structure in FIGS. 1–20 are for the purpose of illustration only, and form no part of the claimed design.

**1 Claim, 12 Drawing Sheets**



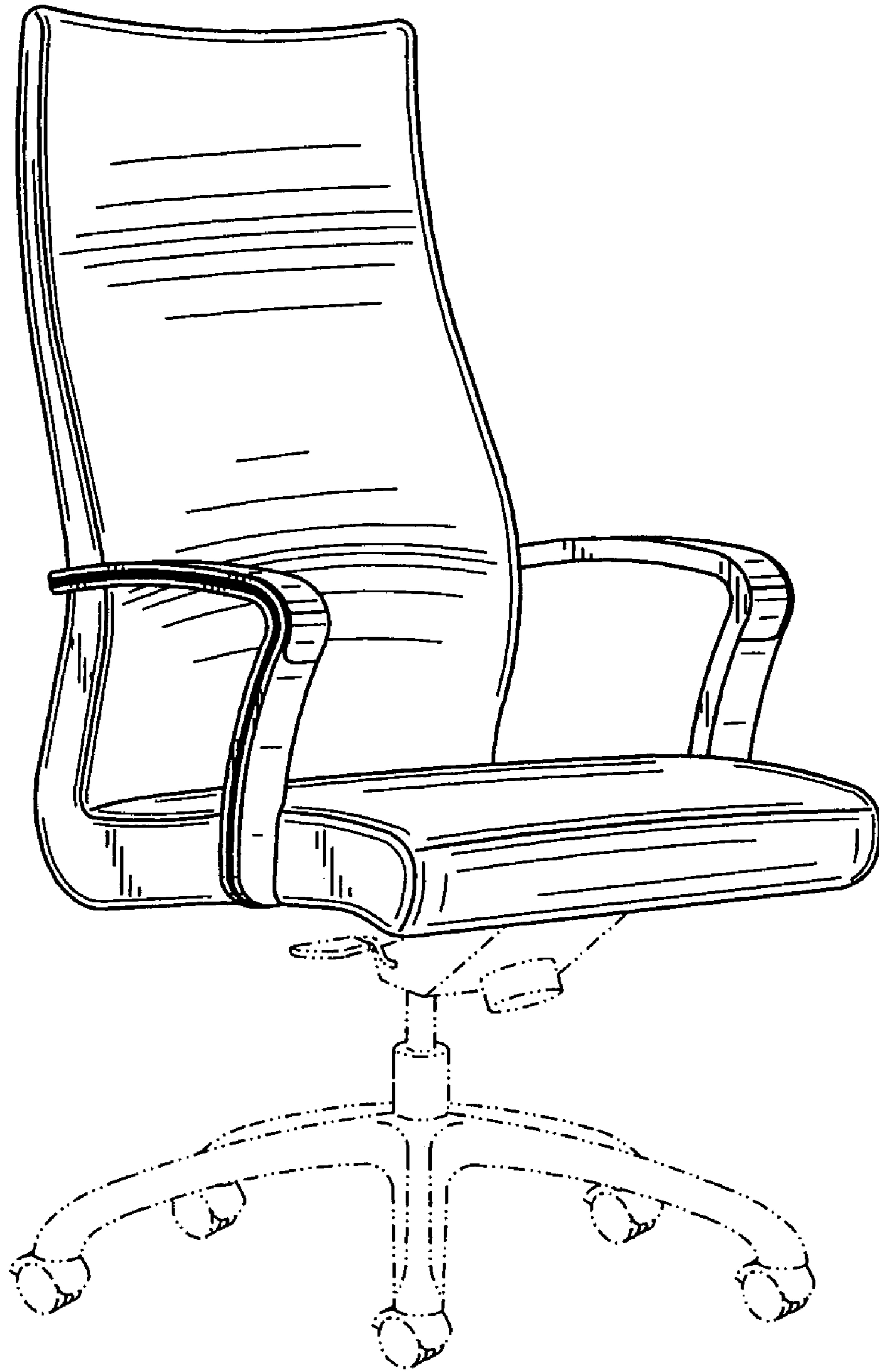


FIG. 1

FIG. 2

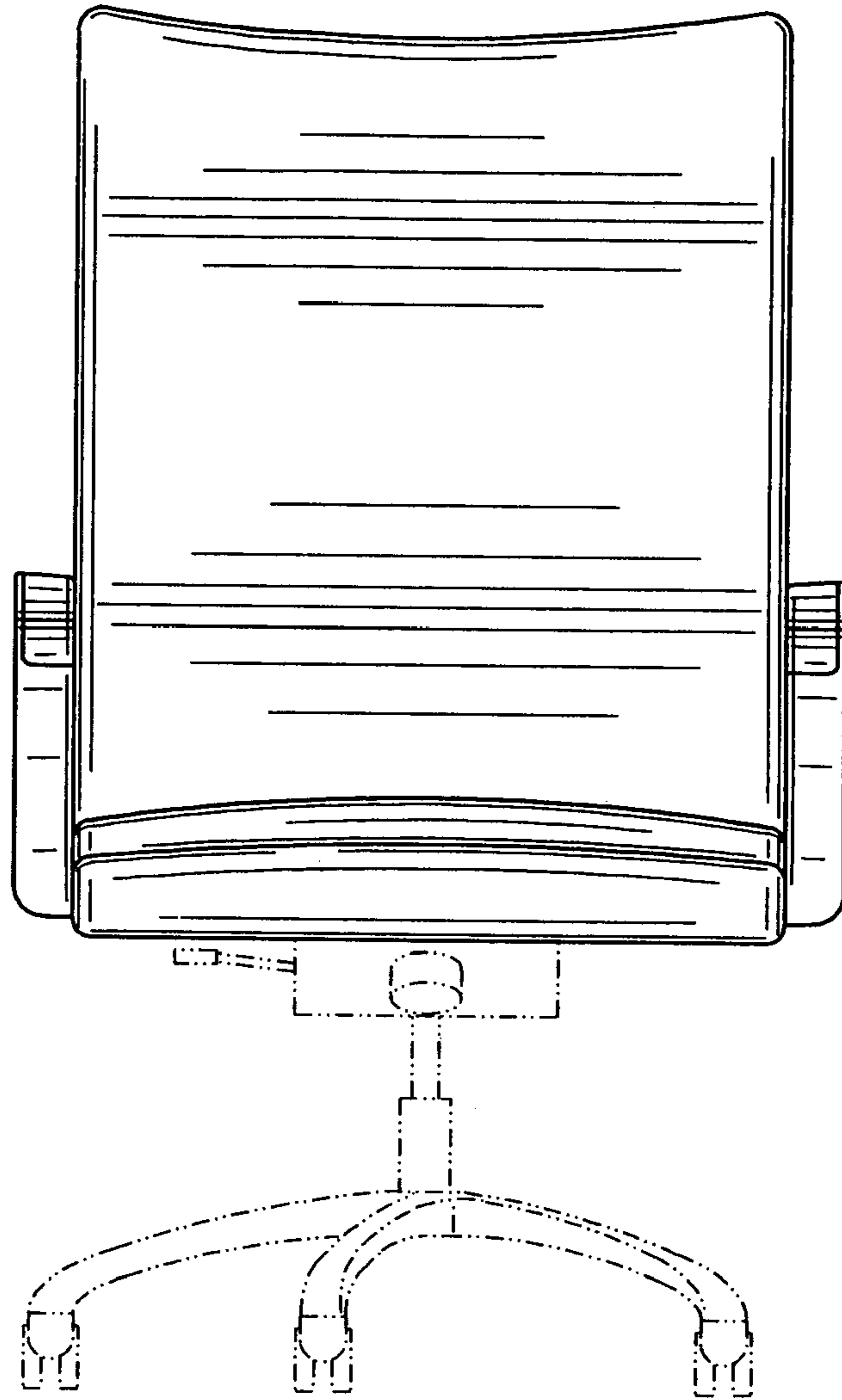


FIG. 3

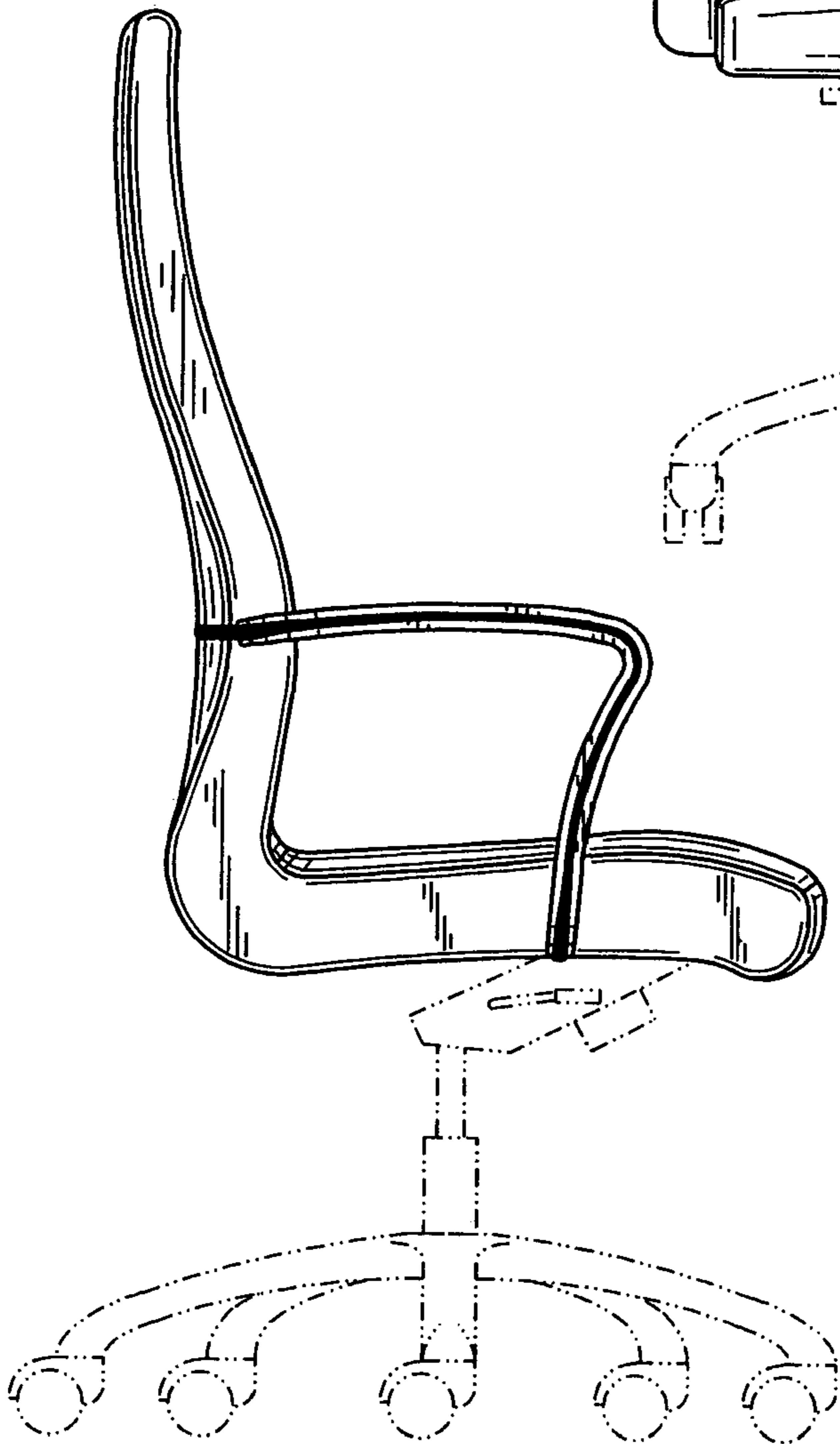


FIG. 4

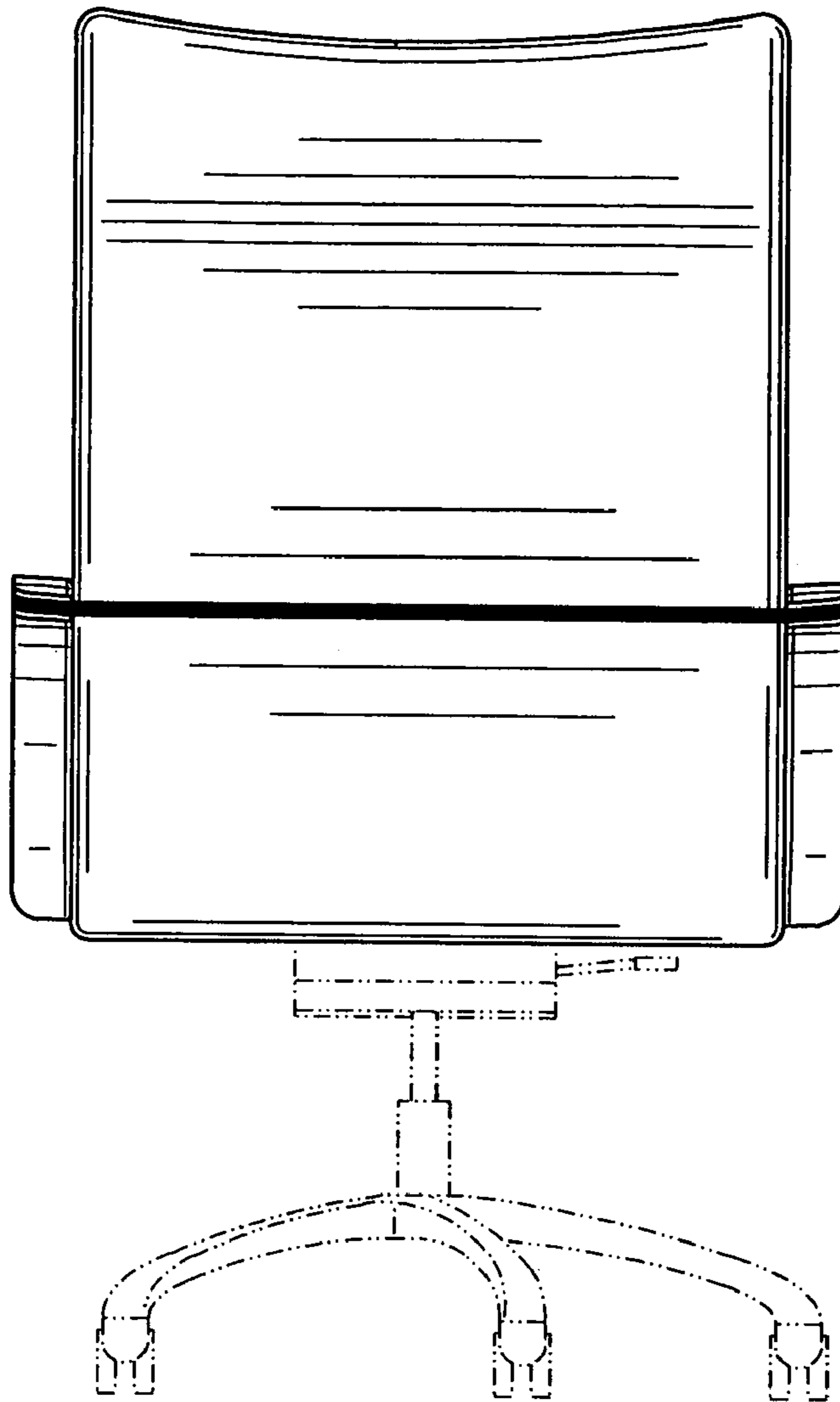
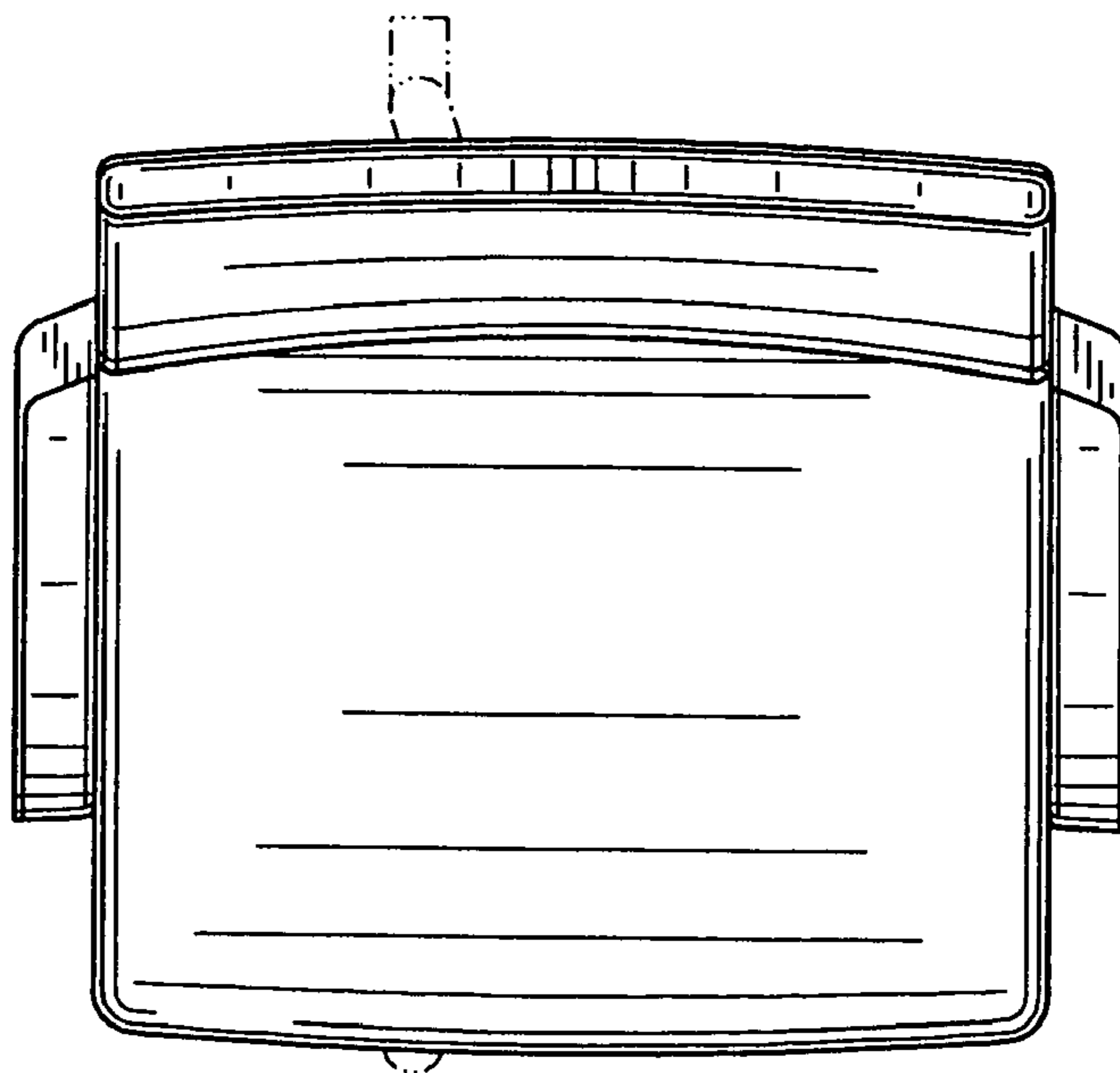


FIG. 5



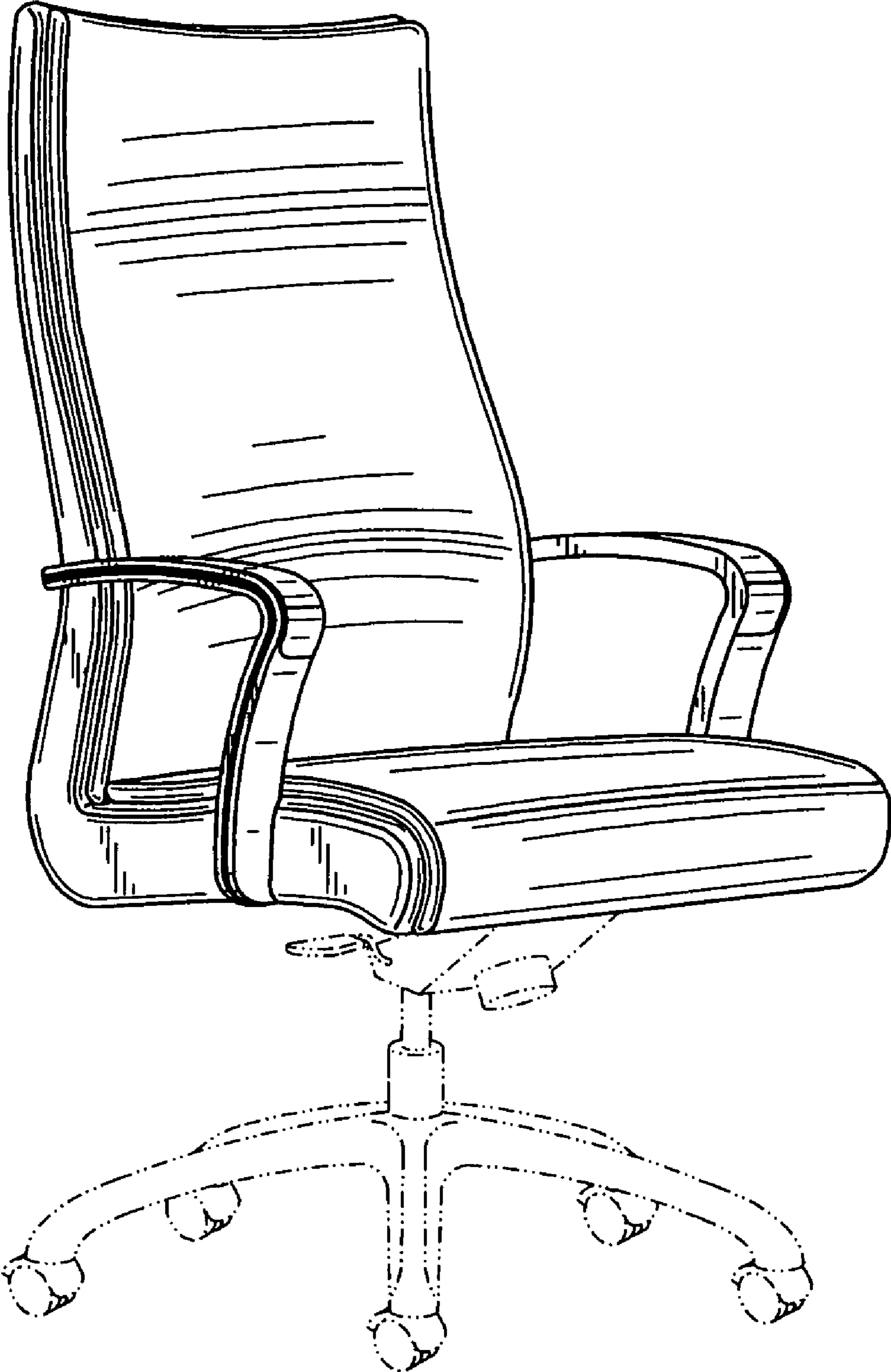


FIG. 6

FIG. 7

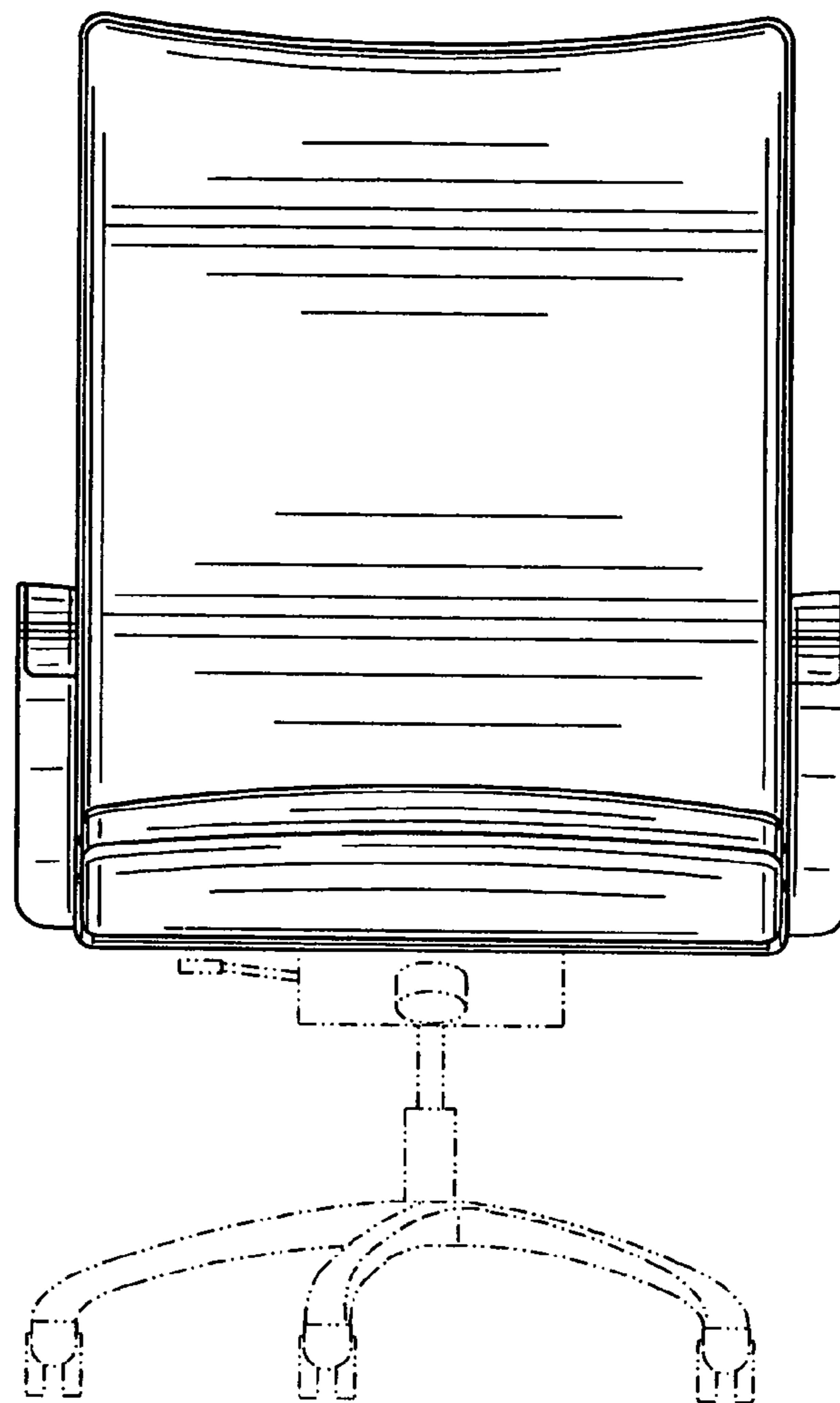


FIG. 8

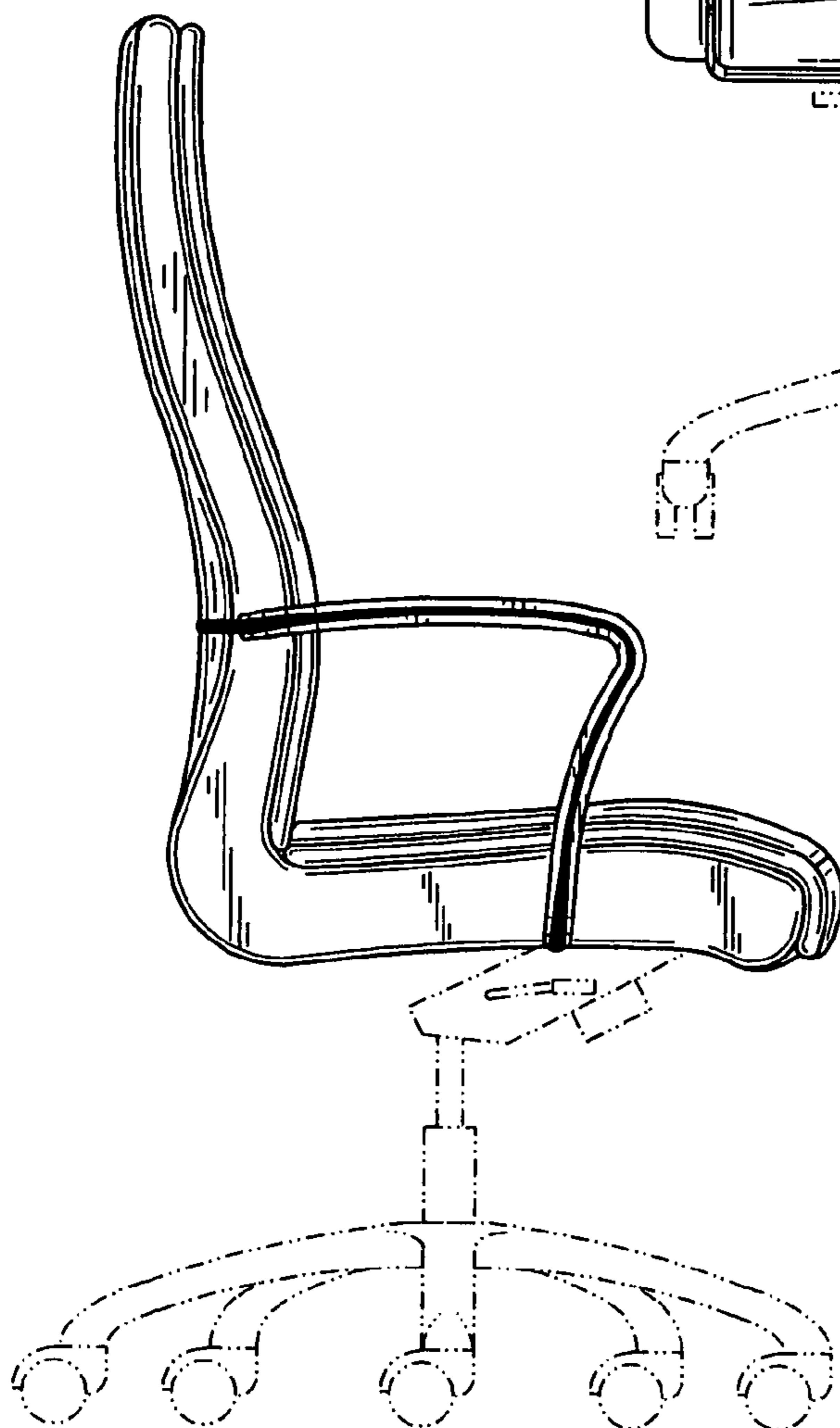


FIG. 9

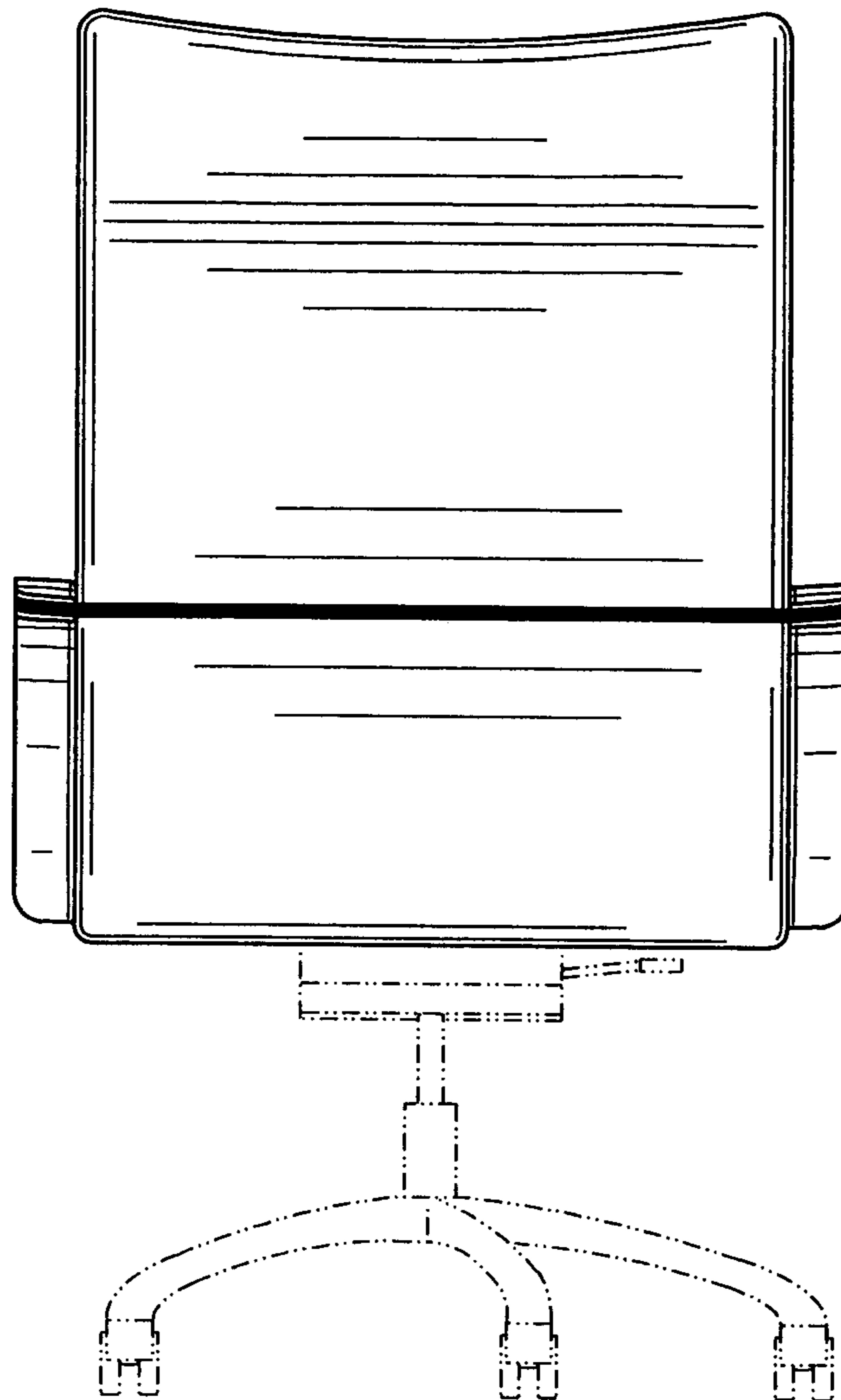
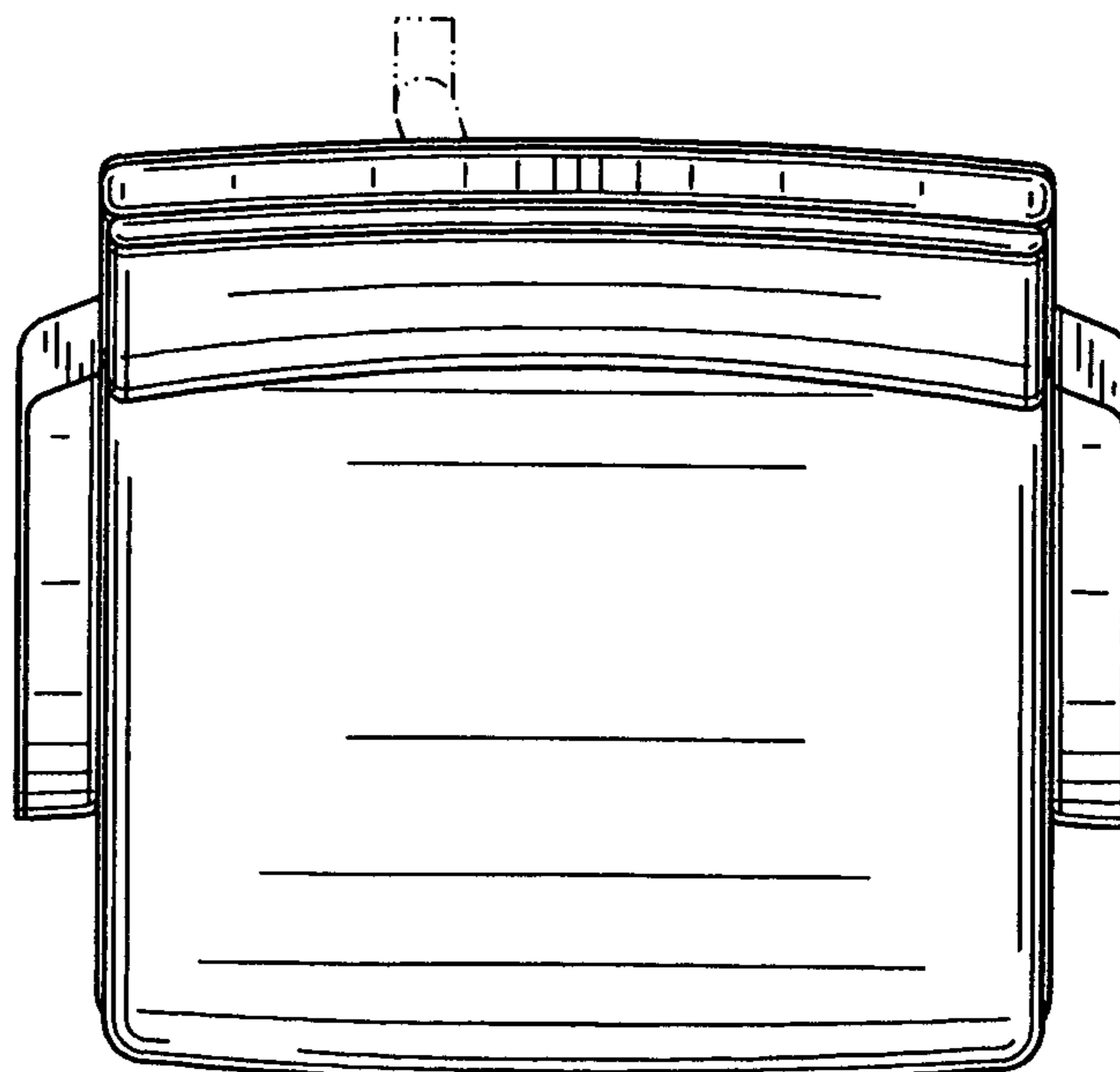


FIG. 10



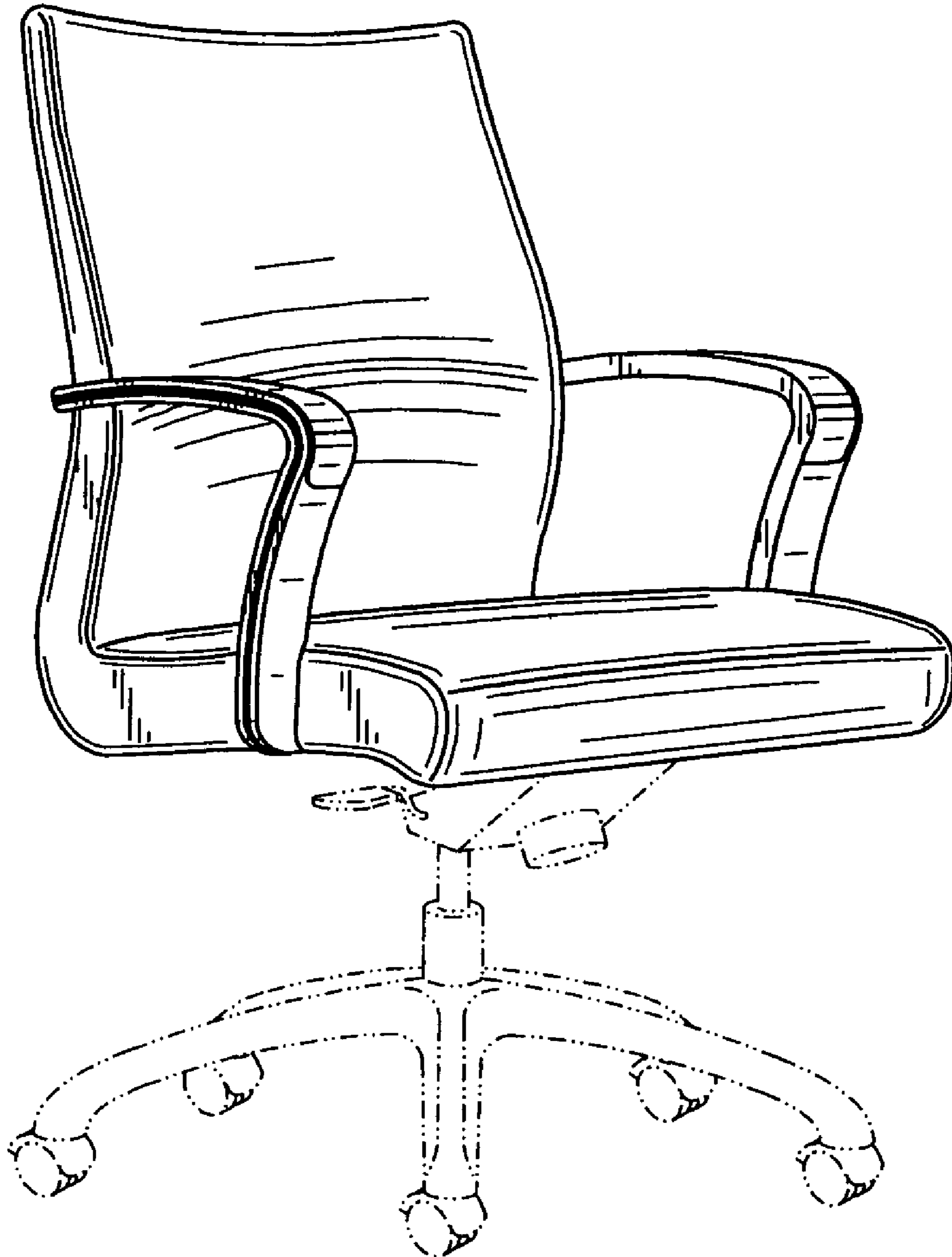


FIG. 11



FIG. 12

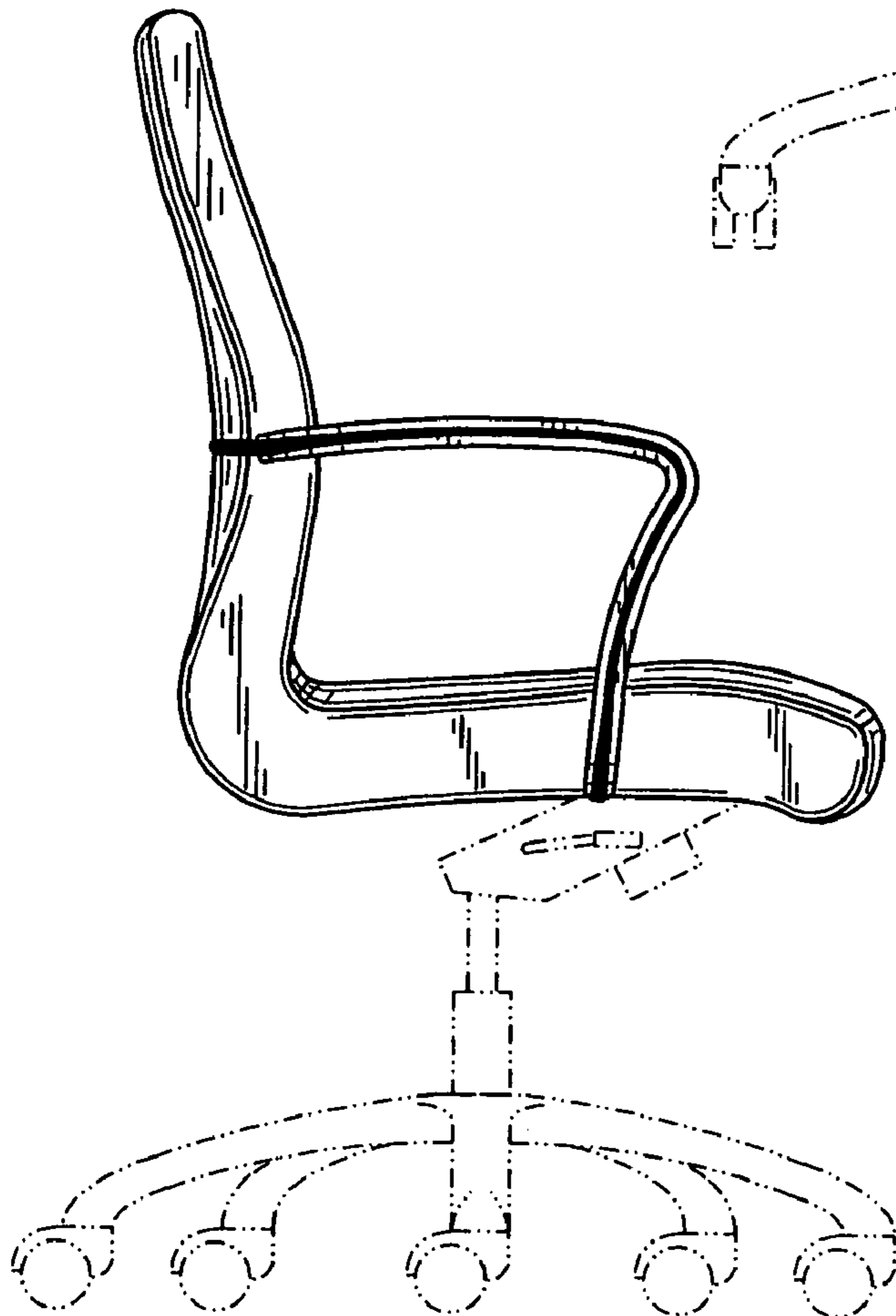
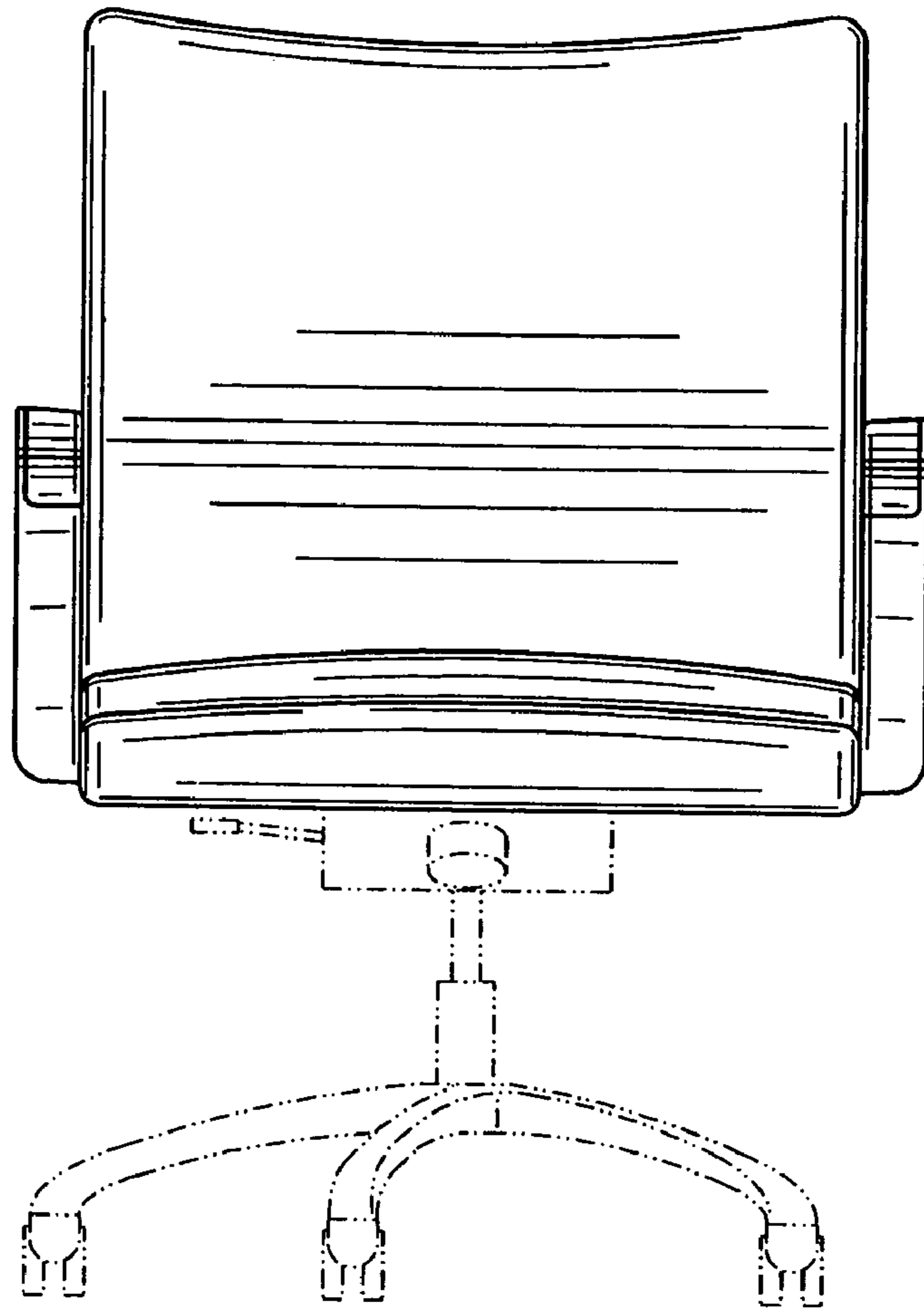


FIG. 13

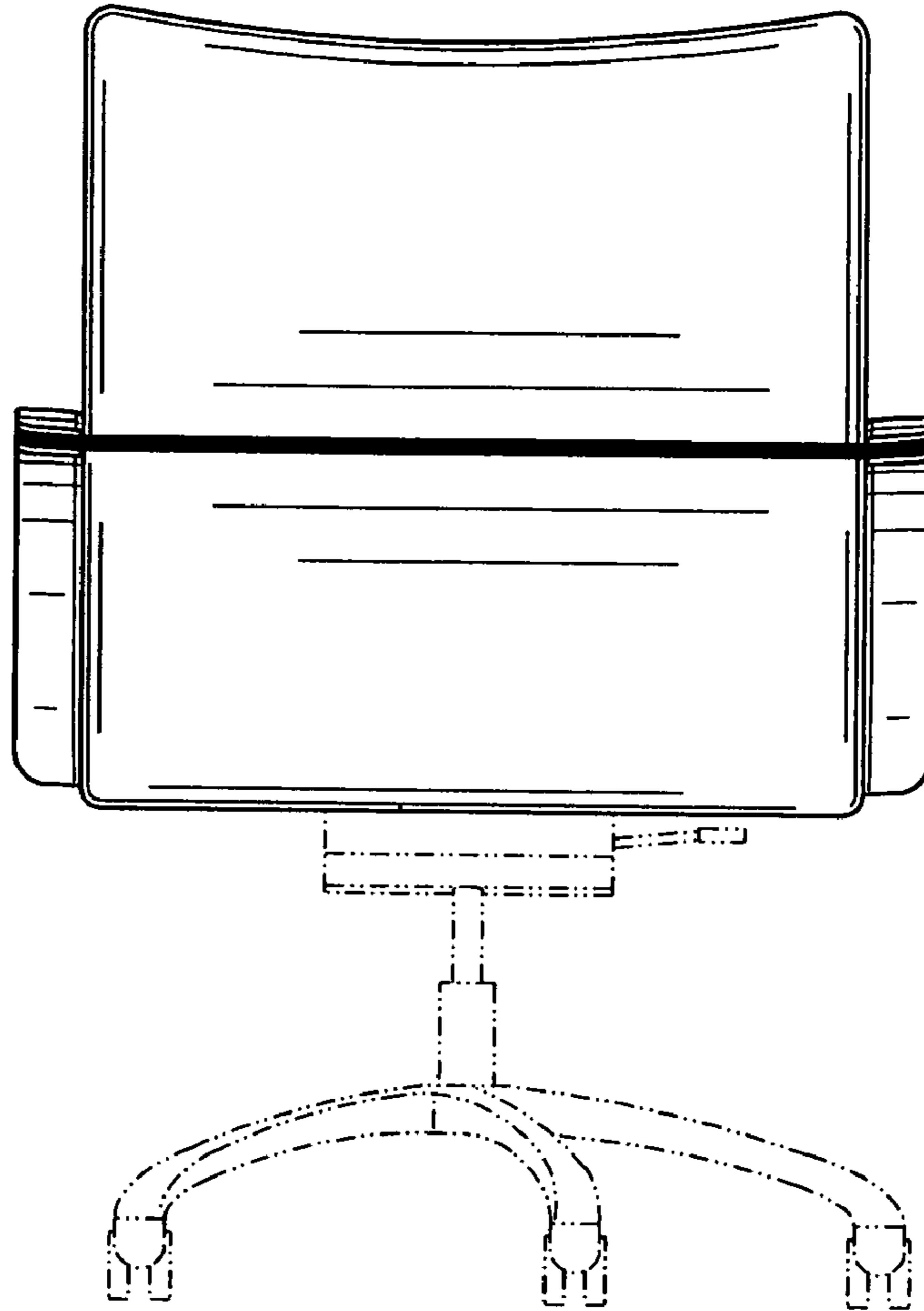


FIG. 14

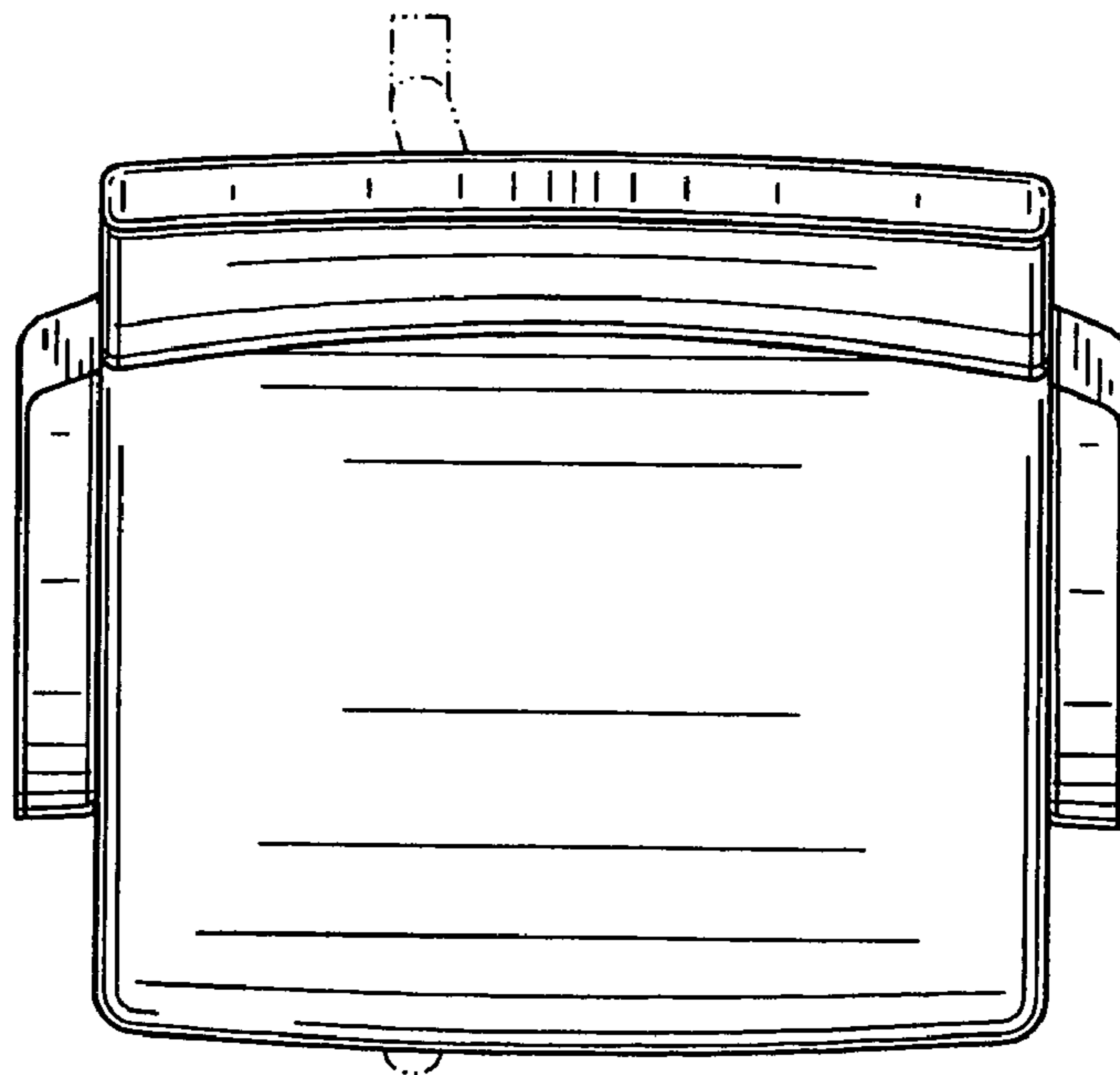


FIG. 15

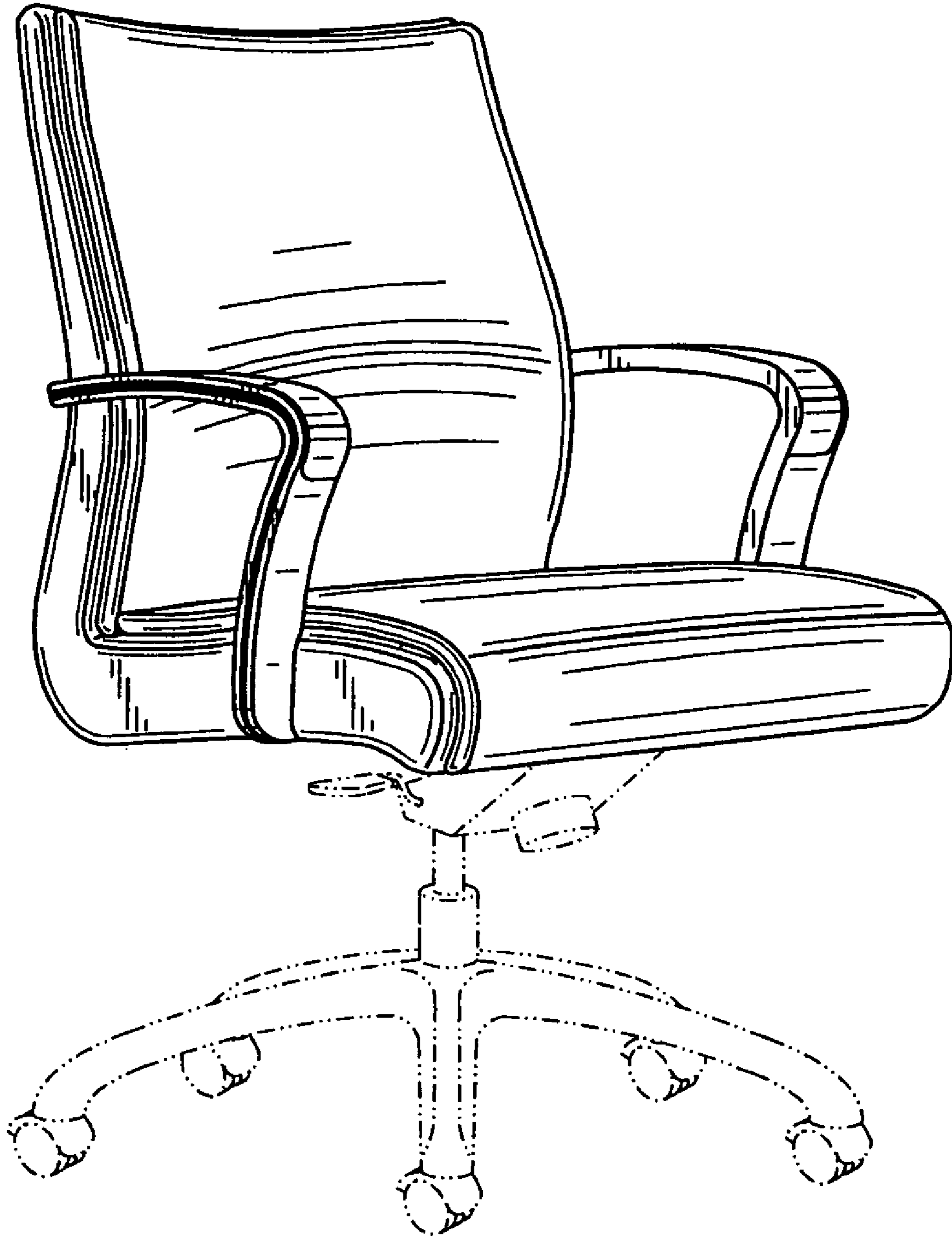


FIG. 16

FIG. 17

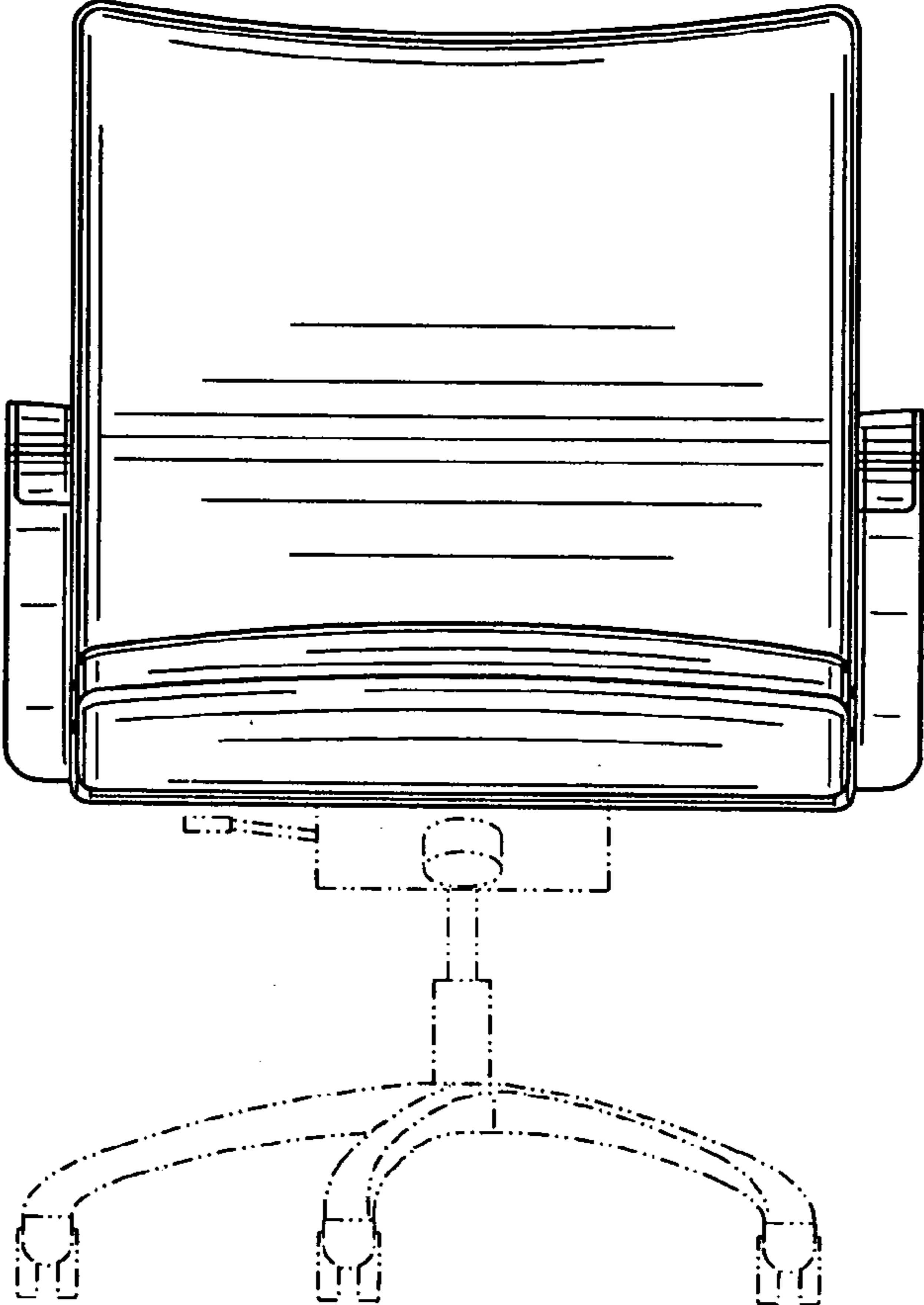
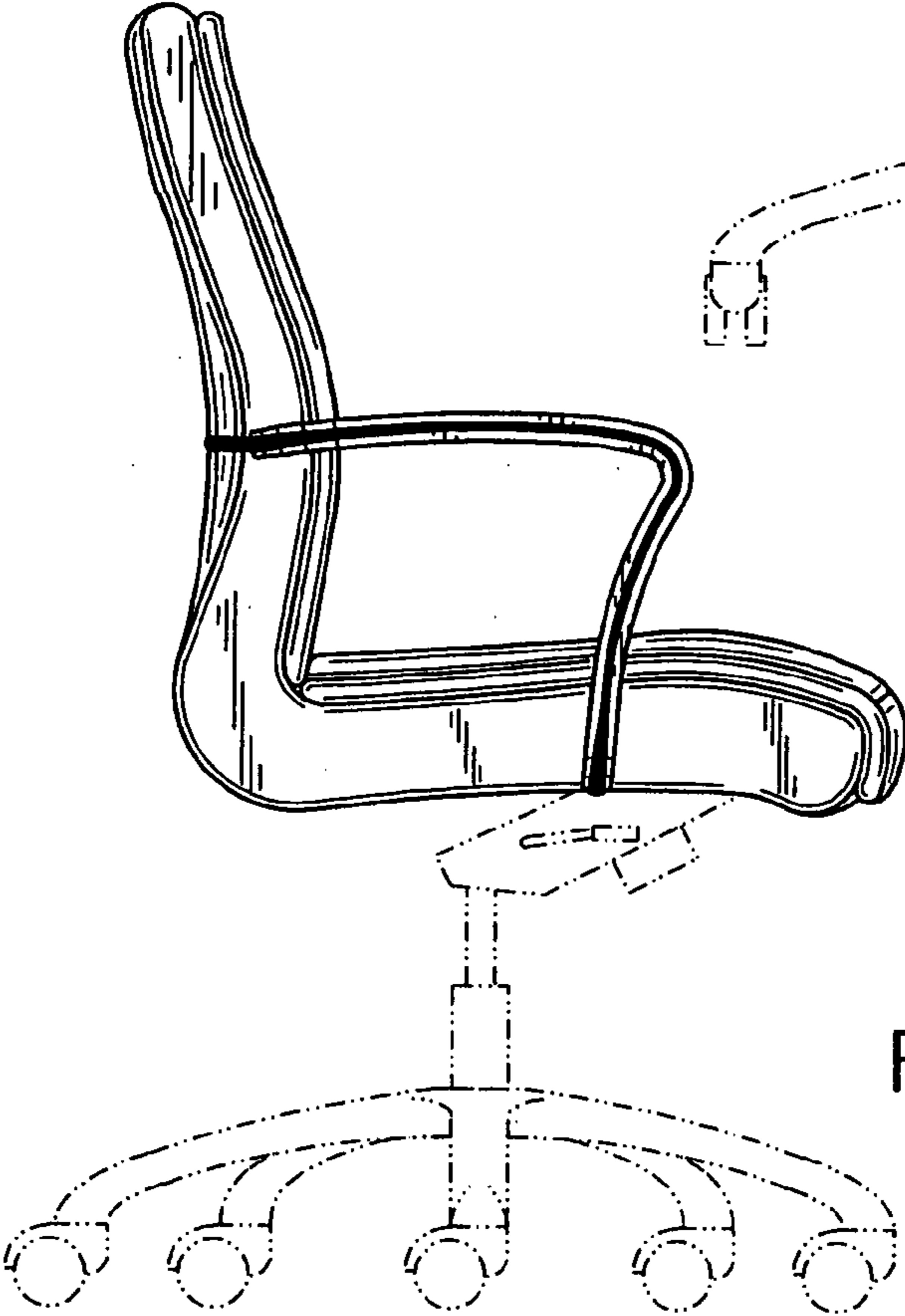


FIG. 18



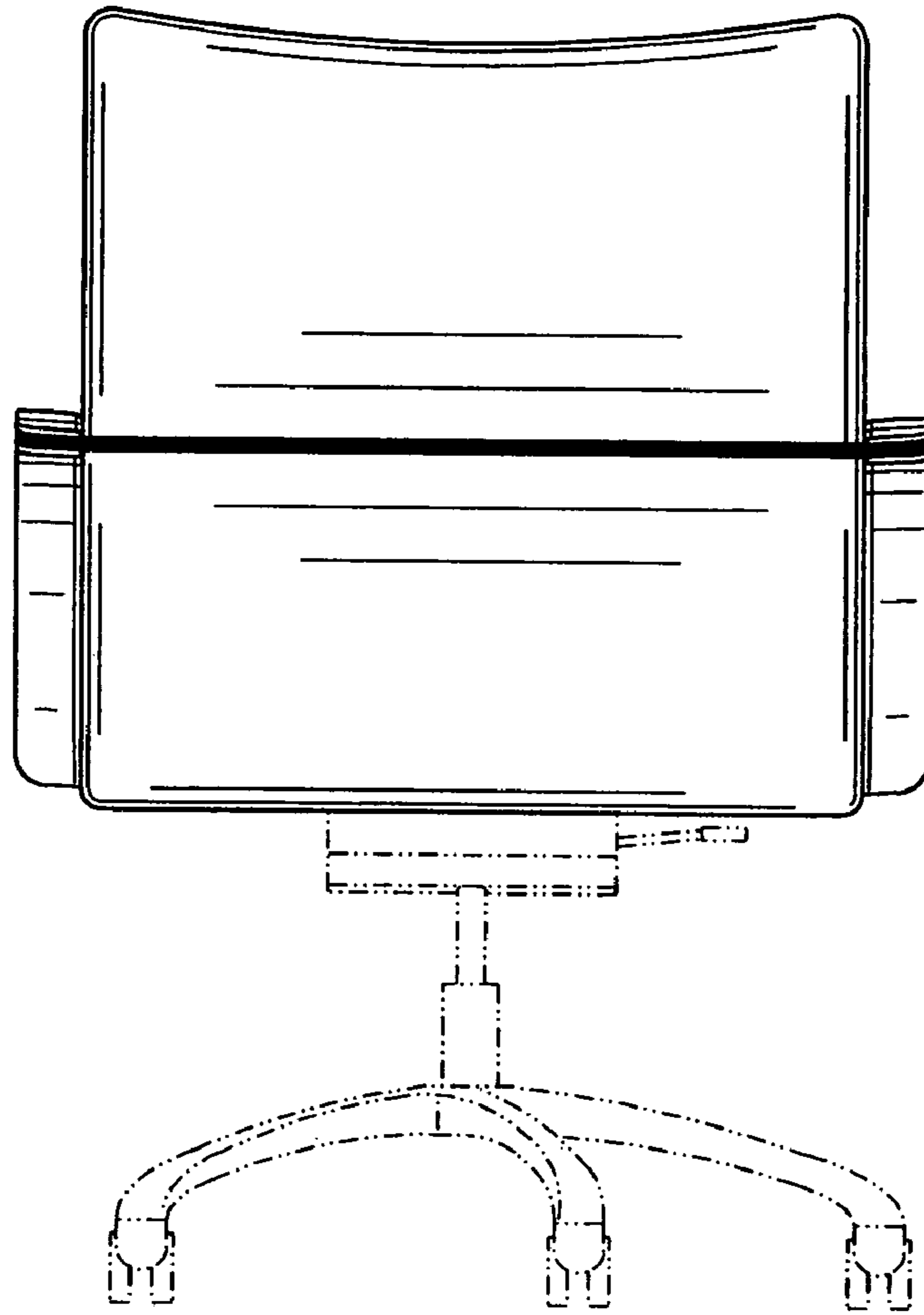


FIG. 19

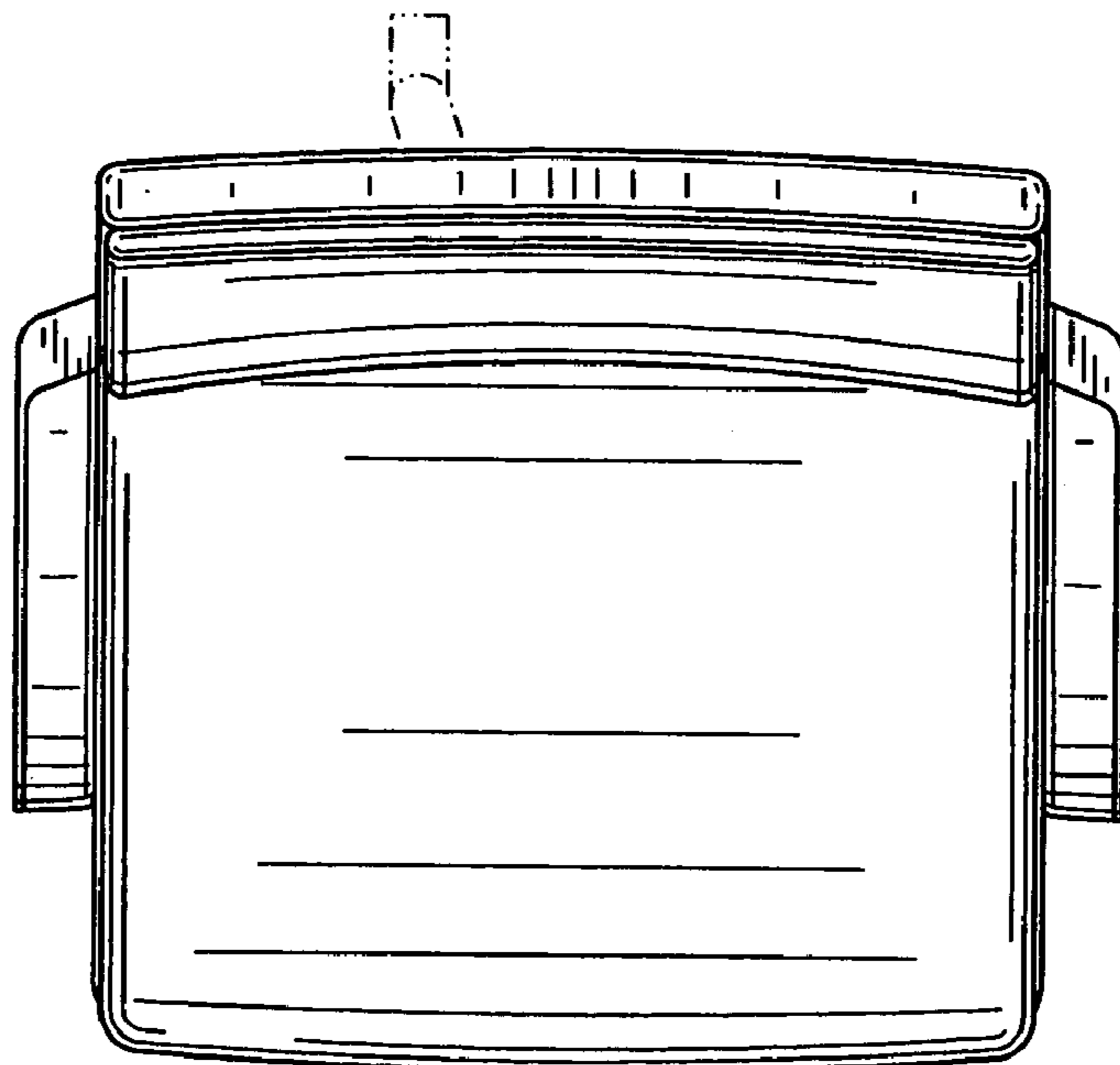


FIG. 20