

US00D543735S

(12) **United States Design Patent** (10) **Patent No.:** **US D543,735 S**  
**Farber** (45) **Date of Patent:** **\*\* Jun. 5, 2007**

(54) **SUPPORT FOR A TABLE TOP**

2005/0022701 A1 2/2005 Choi et al.  
2005/0126451 A1 6/2005 Winter et al.

(75) Inventor: **Robert Farber**, Montreal (CA)

\* cited by examiner

(73) Assignee: **GSC Technologies Corporation**, St. Jean (CA)

*Primary Examiner*—Janice E. Seeger  
(74) *Attorney, Agent, or Firm*—Cook, Alex, McFarron, Manzo, Cummings & Mehler, Ltd.

(\*\*) Term: **14 Years**

(21) Appl. No.: **29/243,128**

(57) **CLAIM**

(22) Filed: **Nov. 18, 2005**

The ornamental design for the support for a table top, as shown and described.

(51) **LOC (8) Cl.** ..... **06-06**

(52) **U.S. Cl.** ..... **D6/499; D6/495**

(58) **Field of Classification Search** ..... D6/480–489, D6/429–431, 491, 495–499; 108/150, 155, 108/153.1, 156, 157.1, 161, 130, 115, 50.01, 108/50.02, 118–120, 131; 248/188, 188.1, 248/188.7, 188.8, 164, 432

See application file for complete search history.

**DESCRIPTION**

FIG. 1 is a top front perspective view of the design of the present invention;

FIG. 2 is a bottom rear perspective view of the design shown in FIG. 1;

FIG. 3 is a left side view of the design shown in FIG. 1;

FIG. 4 is a right side view of the design shown in FIG. 1;

FIG. 5 is a bottom view of the design shown in FIG. 1;

FIG. 6 is a top view of the design shown in FIG. 1;

FIG. 7 is a front view of the design shown in FIG. 1; and,

FIG. 8 is a rear view of the design shown in FIG. 1.

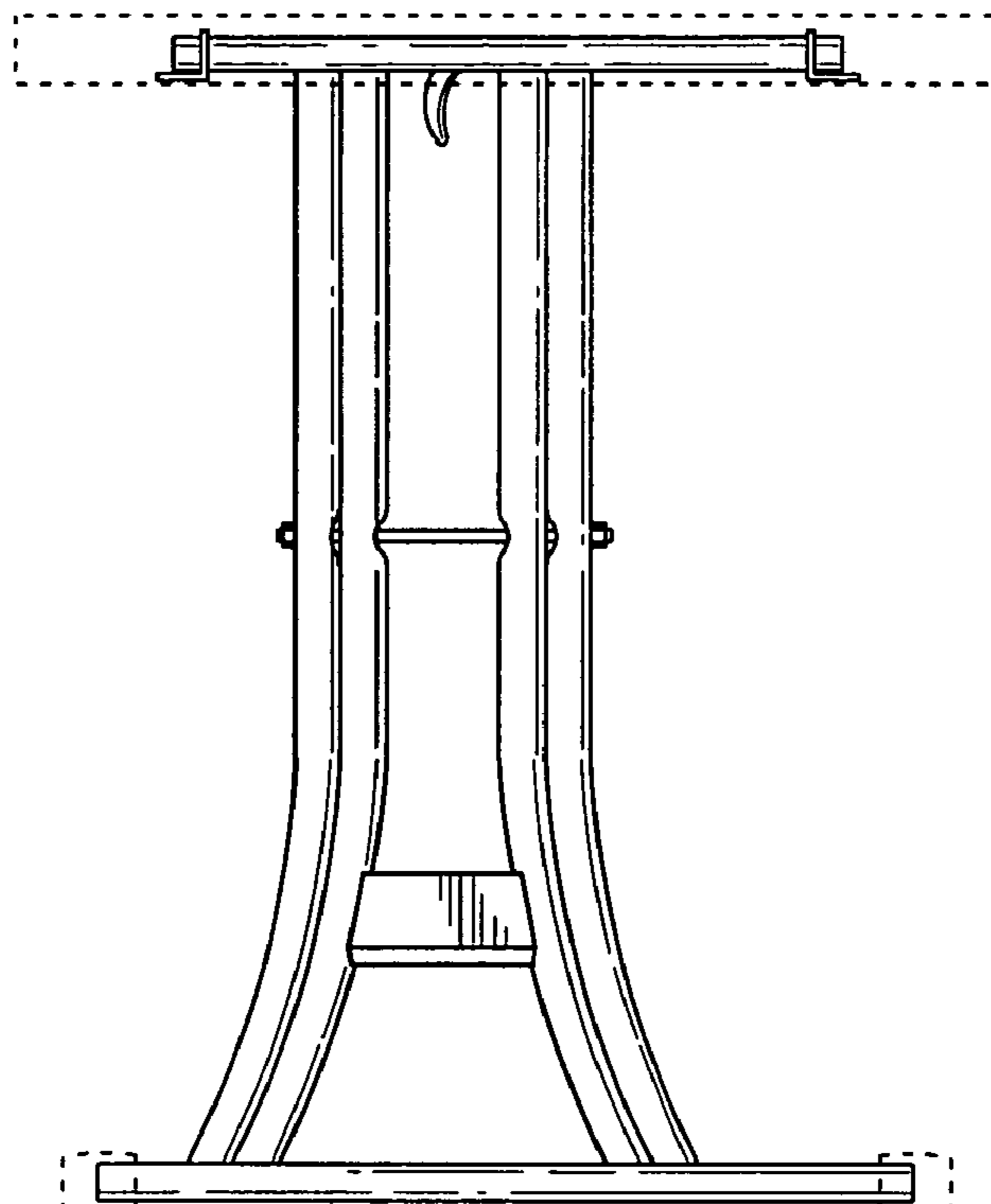
The broken lines in the drawings are for illustrative purposes only and form no part of the invention.

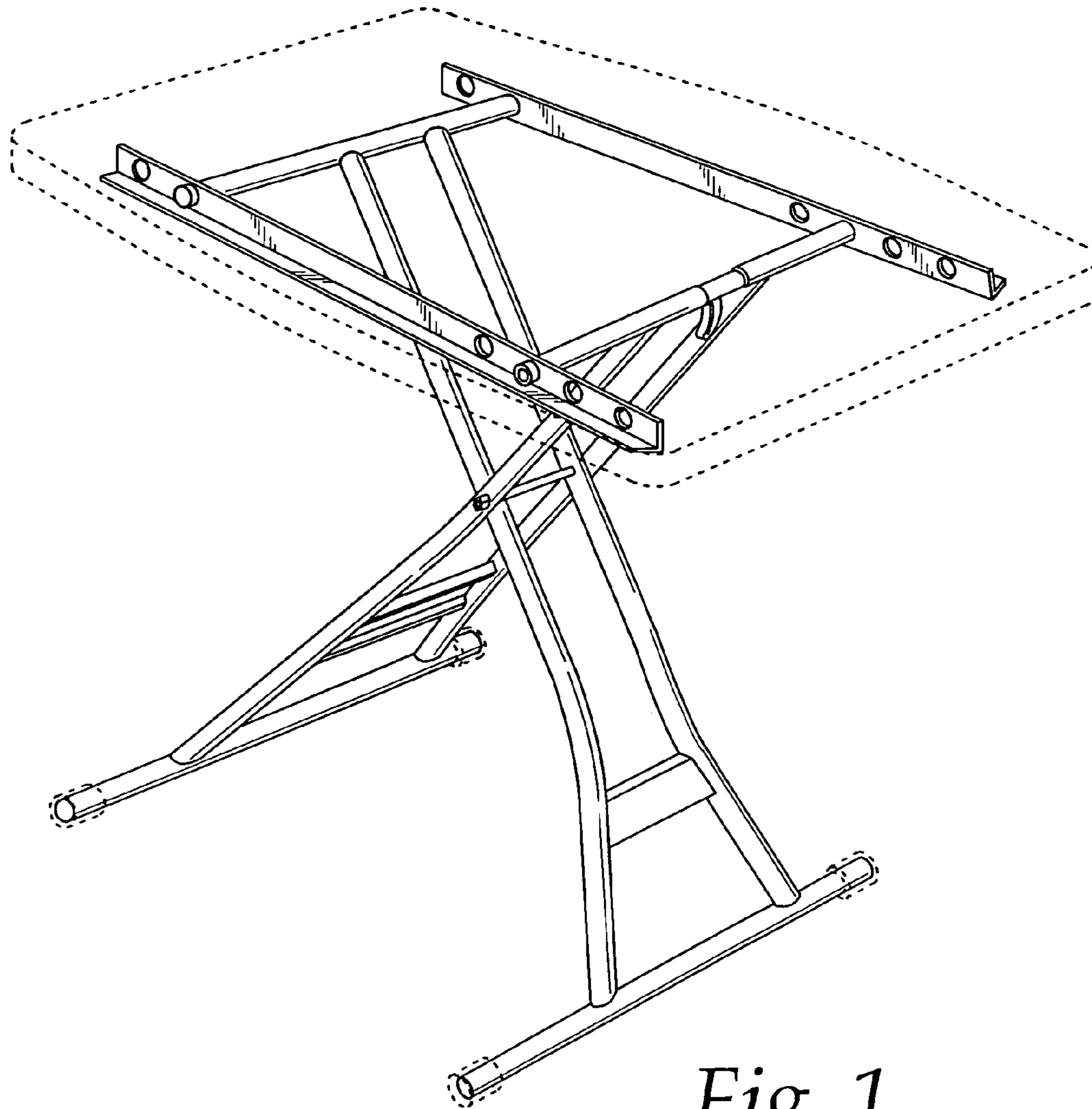
(56) **References Cited**

U.S. PATENT DOCUMENTS

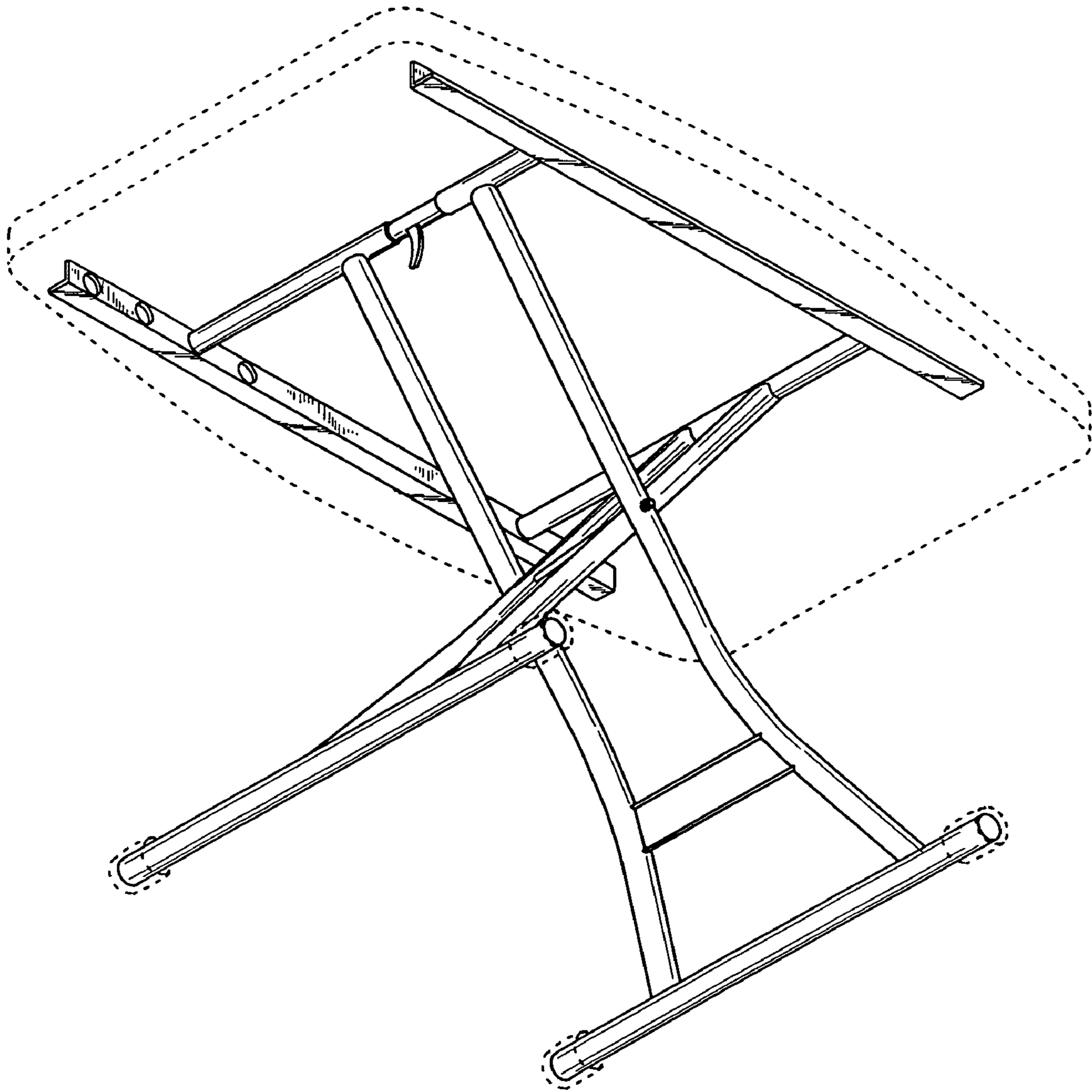
D481,567 S	11/2003	Ashby et al.	
D497,500 S	10/2004	Farber et al.	
D498,952 S *	11/2004	Strong et al. ....	D6/499
D502,826 S *	3/2005	Farber et al. ....	D6/499
6,912,961 B2	7/2005	Winter et al.	
D515,853 S *	2/2006	Ashby .....	D6/499
D525,810 S *	8/2006	Ashby .....	D6/499
2004/0182290 A1	9/2004	Strong et al.	

**1 Claim, 5 Drawing Sheets**

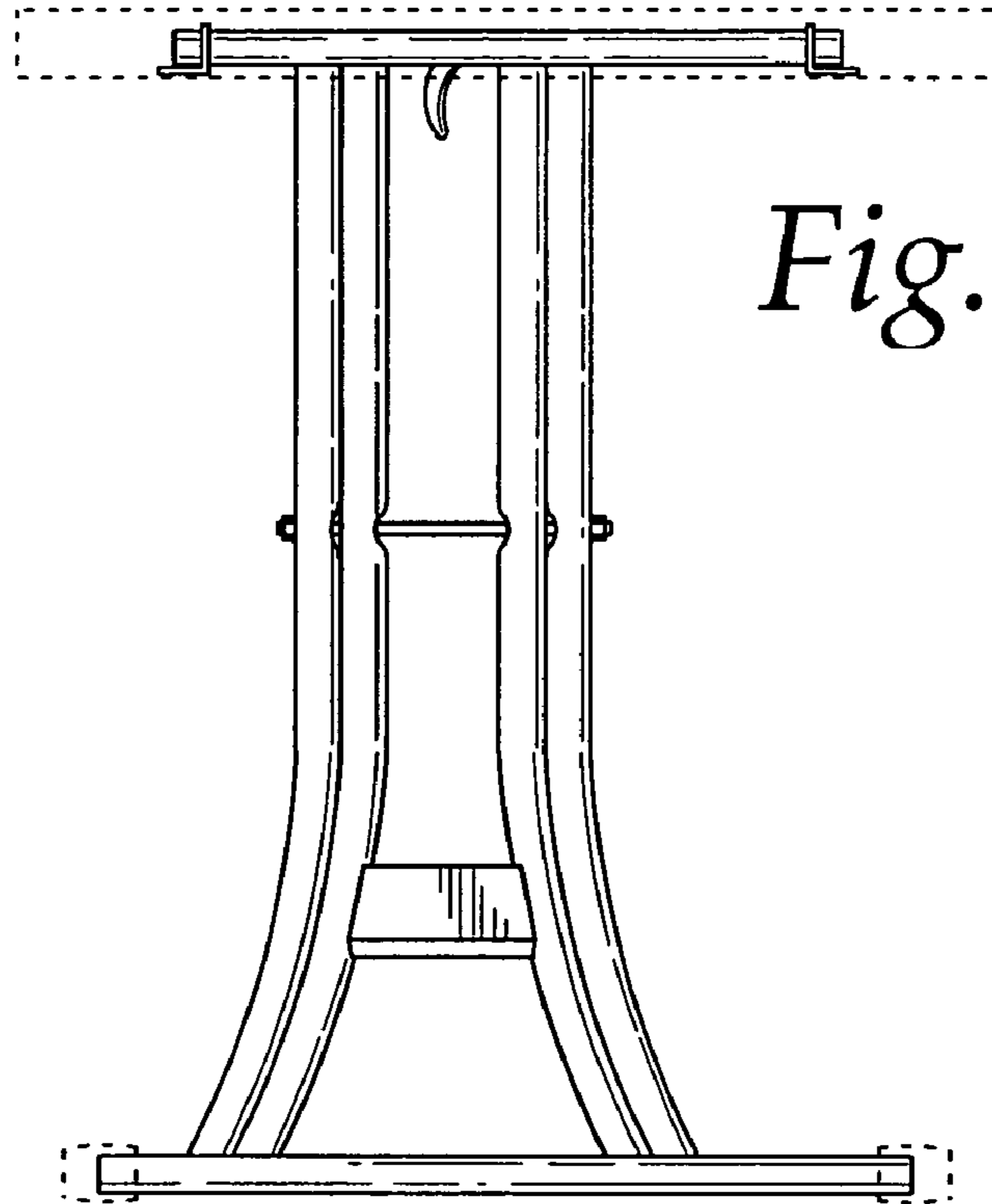




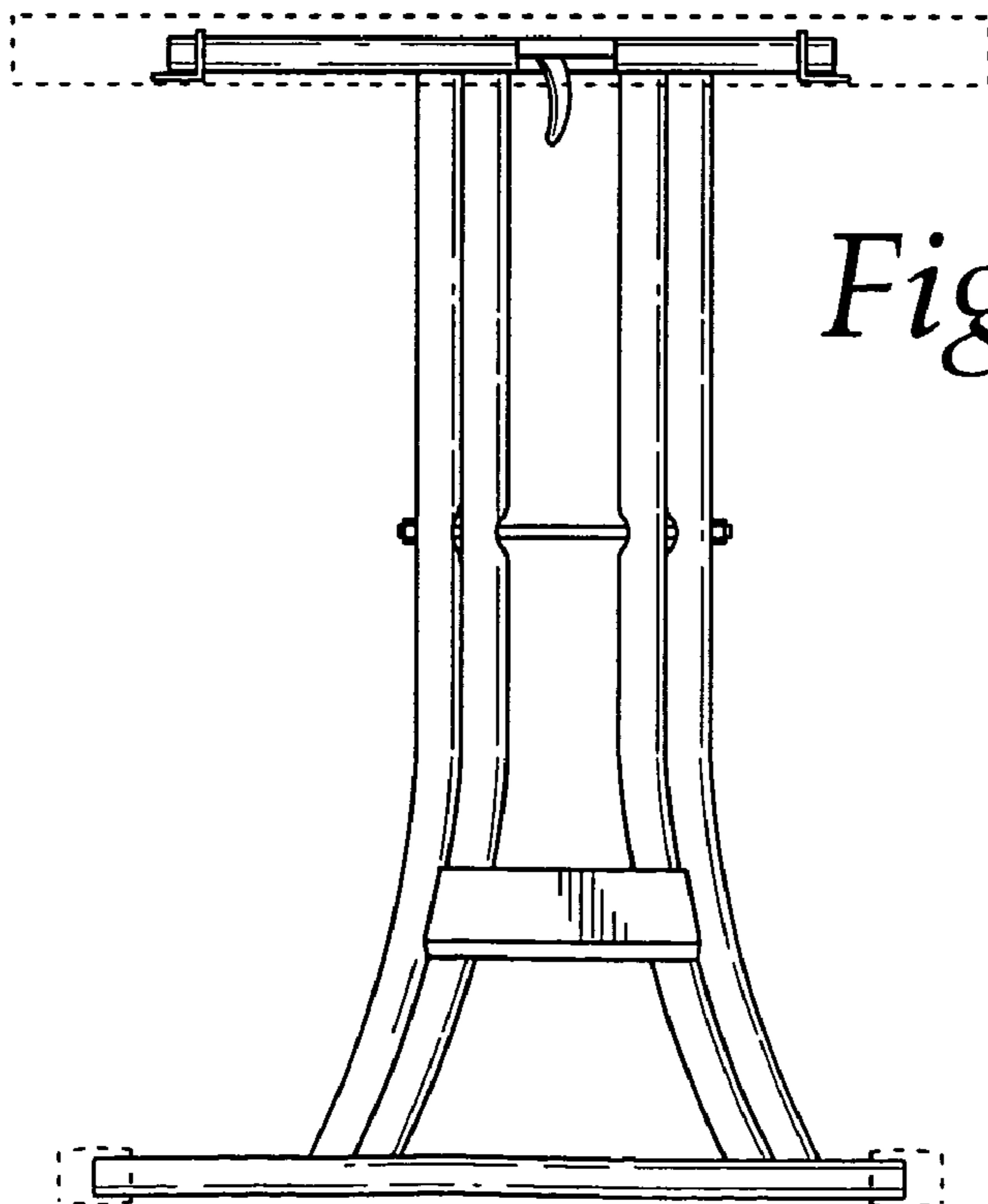
*Fig. 1*



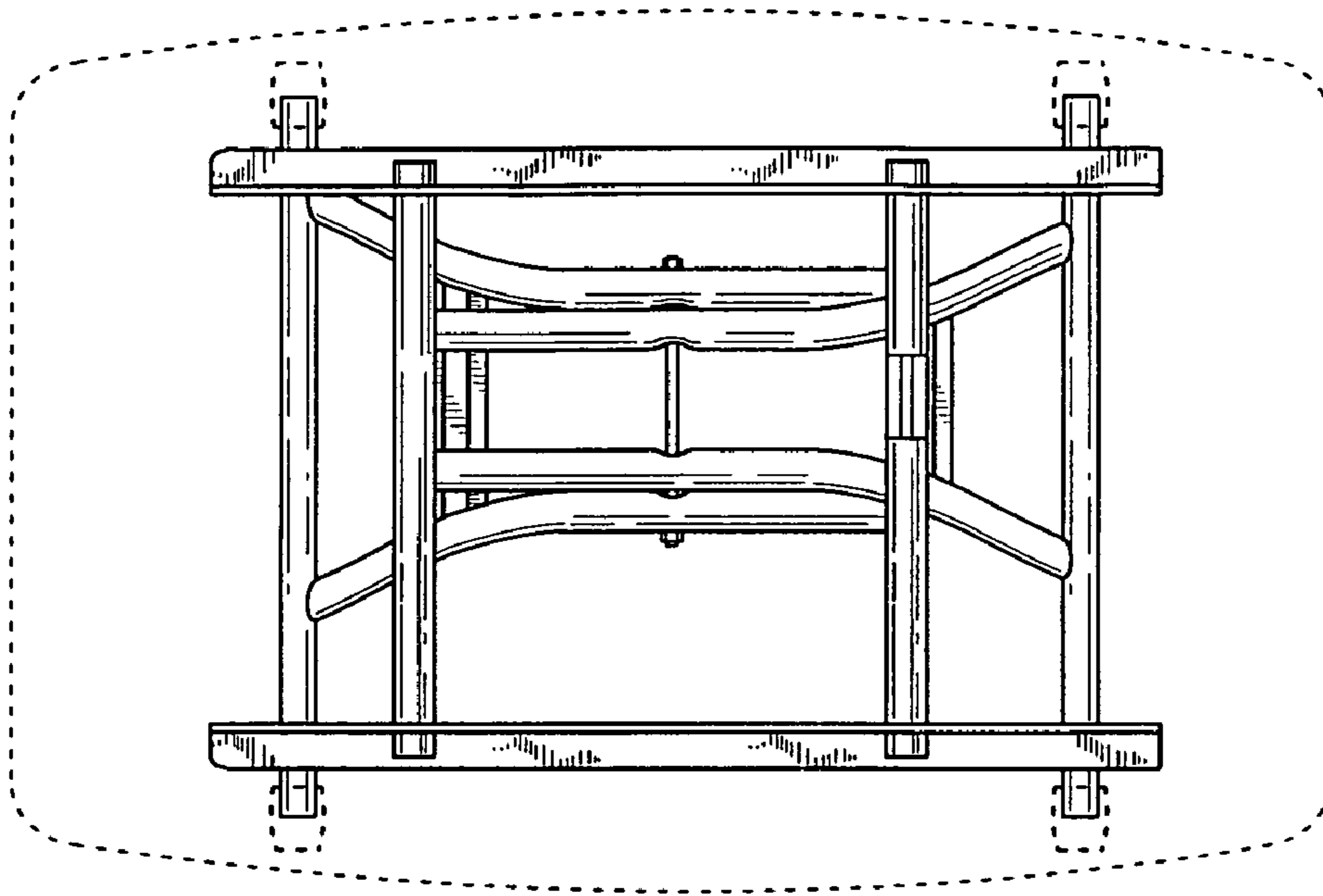
*Fig. 2*



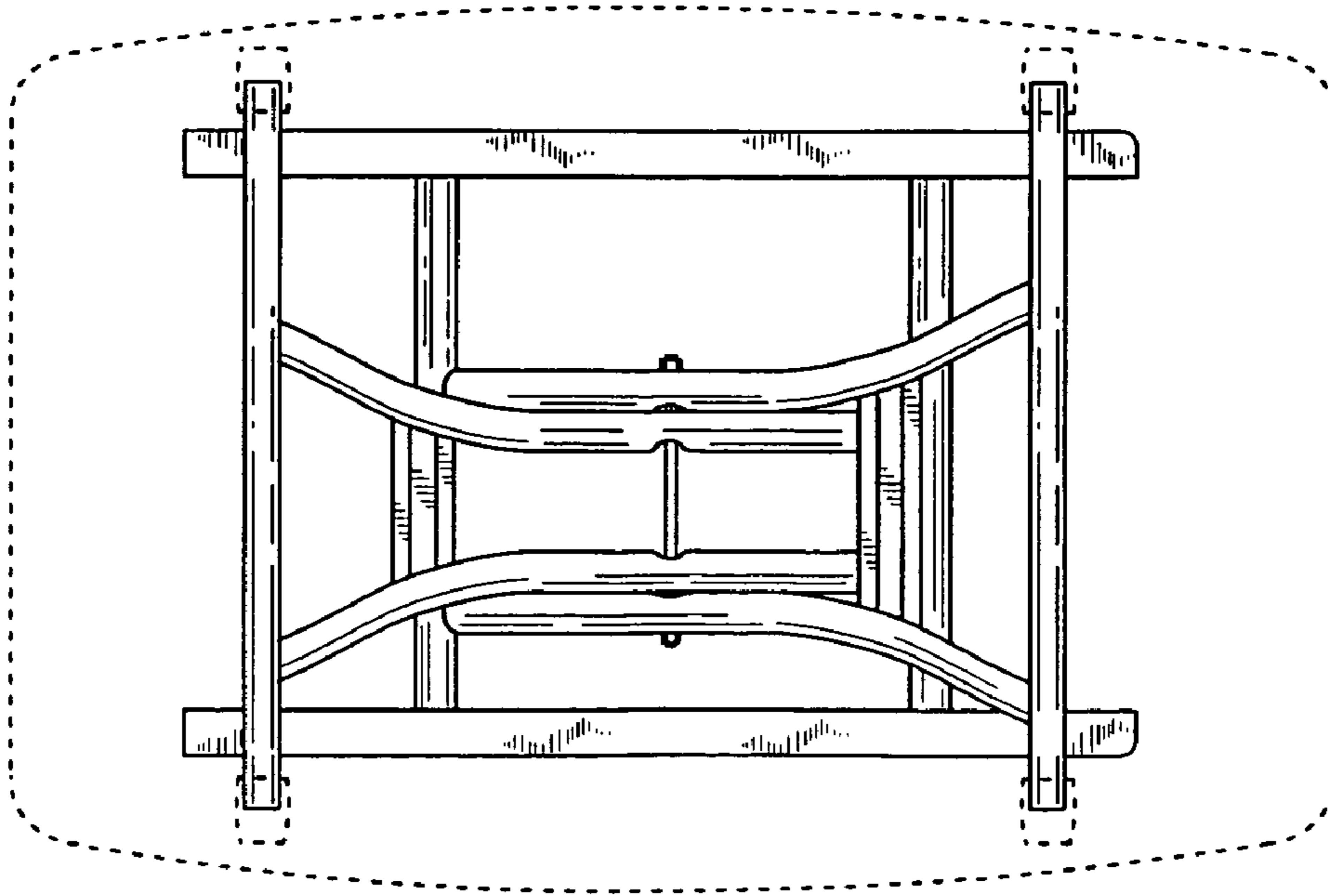
*Fig. 3*



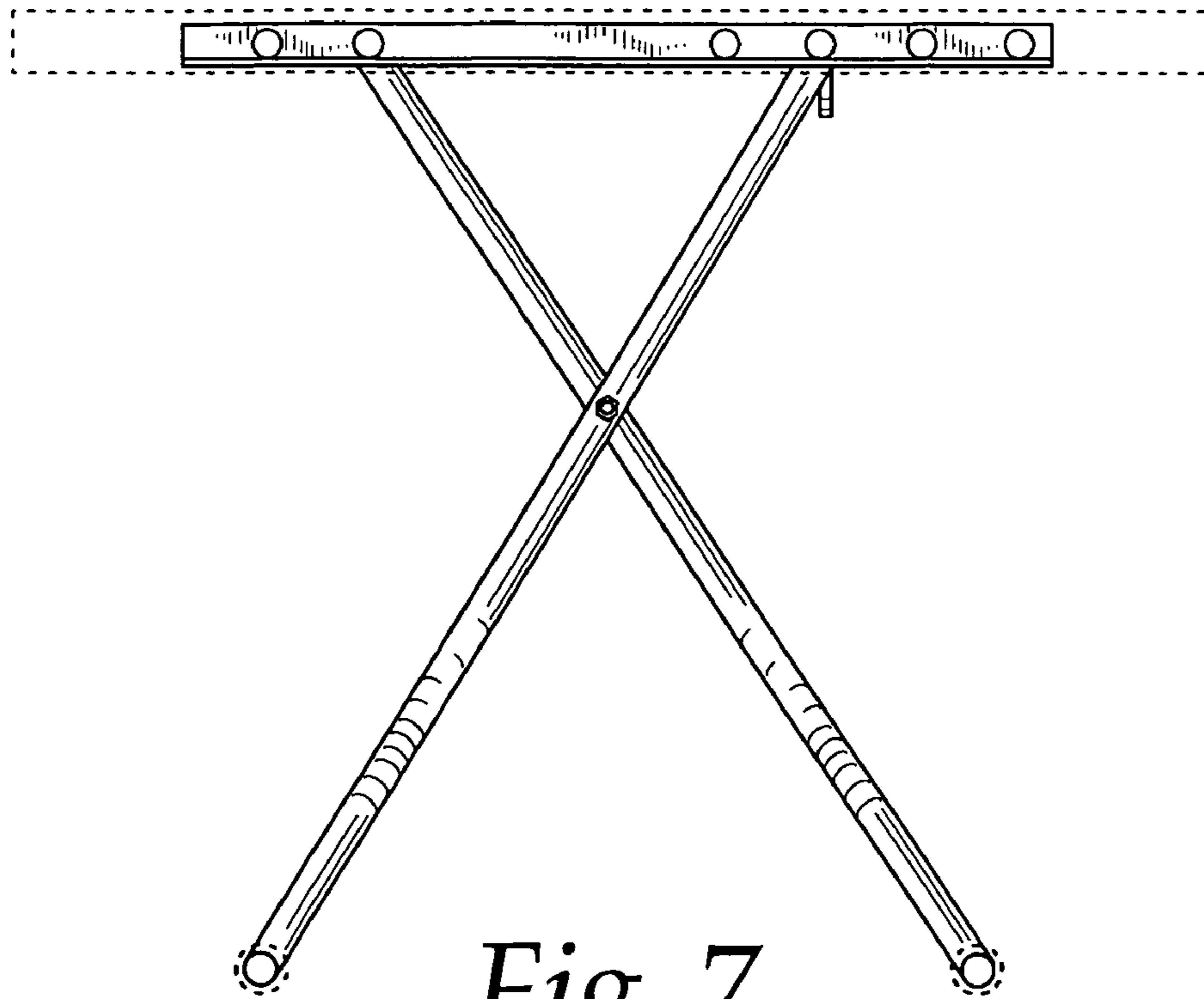
*Fig. 4*



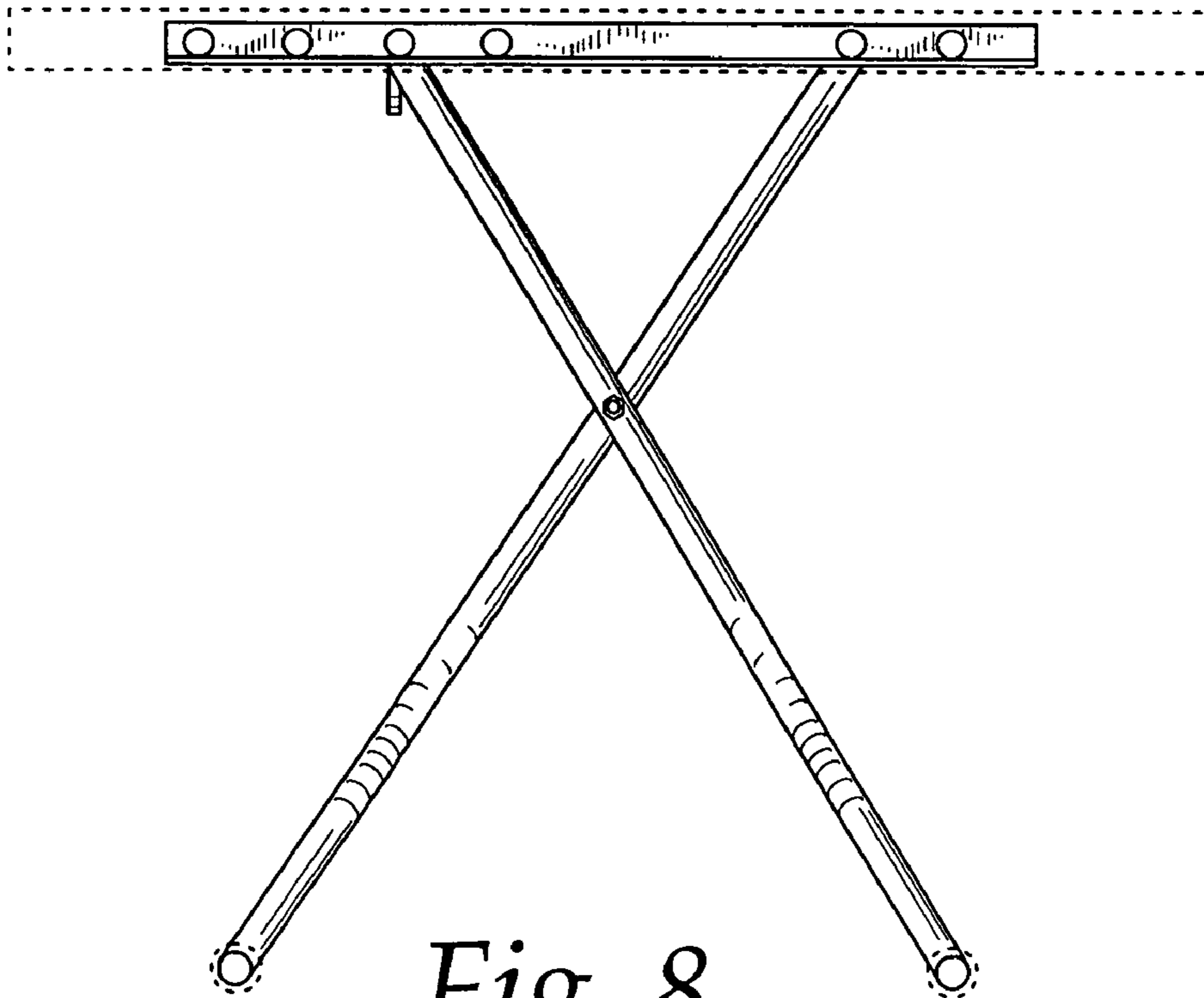
*Fig. 6*



*Fig. 5*



*Fig. 7*



*Fig. 8*