

US00D543734S

(12) **United States Design Patent**
Aubriot et al.

(10) **Patent No.:** **US D543,734 S**

(45) **Date of Patent:** **** Jun. 5, 2007**

(54) **TABLE BASE**

(75) Inventors: **Patrick Aubriot**, Fontenay le Fleury (FR); **Allan Switzer**, Vancouver (CA)

(73) Assignee: **William Switzer & Associates Ltd.**, Vancouver, British Columbia (CA)

(**) Term: **14 Years**

(21) Appl. No.: **29/240,758**

(22) Filed: **Oct. 18, 2005**

(51) **LOC (8) Cl.** **06-06**

(52) **U.S. Cl.** **D6/495; D6/488**

(58) **Field of Classification Search** D6/480-489,
D6/495-499, 511, 429-431; 108/150, 153.1,
108/155, 156, 161, 83; 248/188, 188.1, 188.8
See application file for complete search history.

(56) **References Cited**

U.S. PATENT DOCUMENTS

D147,775 S *	11/1947	Appell et al.	D6/484
D335,789 S *	5/1993	Adams	D6/495
D366,790 S *	2/1996	Grosfillex	D6/495
D380,916 S *	7/1997	Rehmert	D6/488
D406,206 S *	3/1999	Grosfillex	D6/480

OTHER PUBLICATIONS

Selig Tables, p. L-307, Tulip Table.*
Norma Editions p. 320; Publication from Andre Arbus by Yvonne Brunhammer 1996.

* cited by examiner

Primary Examiner—Janice E. Seeger

(74) *Attorney, Agent, or Firm*—Heslin Rothenberg Farley & Mesiti P.C.

(57) **CLAIM**

The ornamental design for a table base, as shown and described.

DESCRIPTION

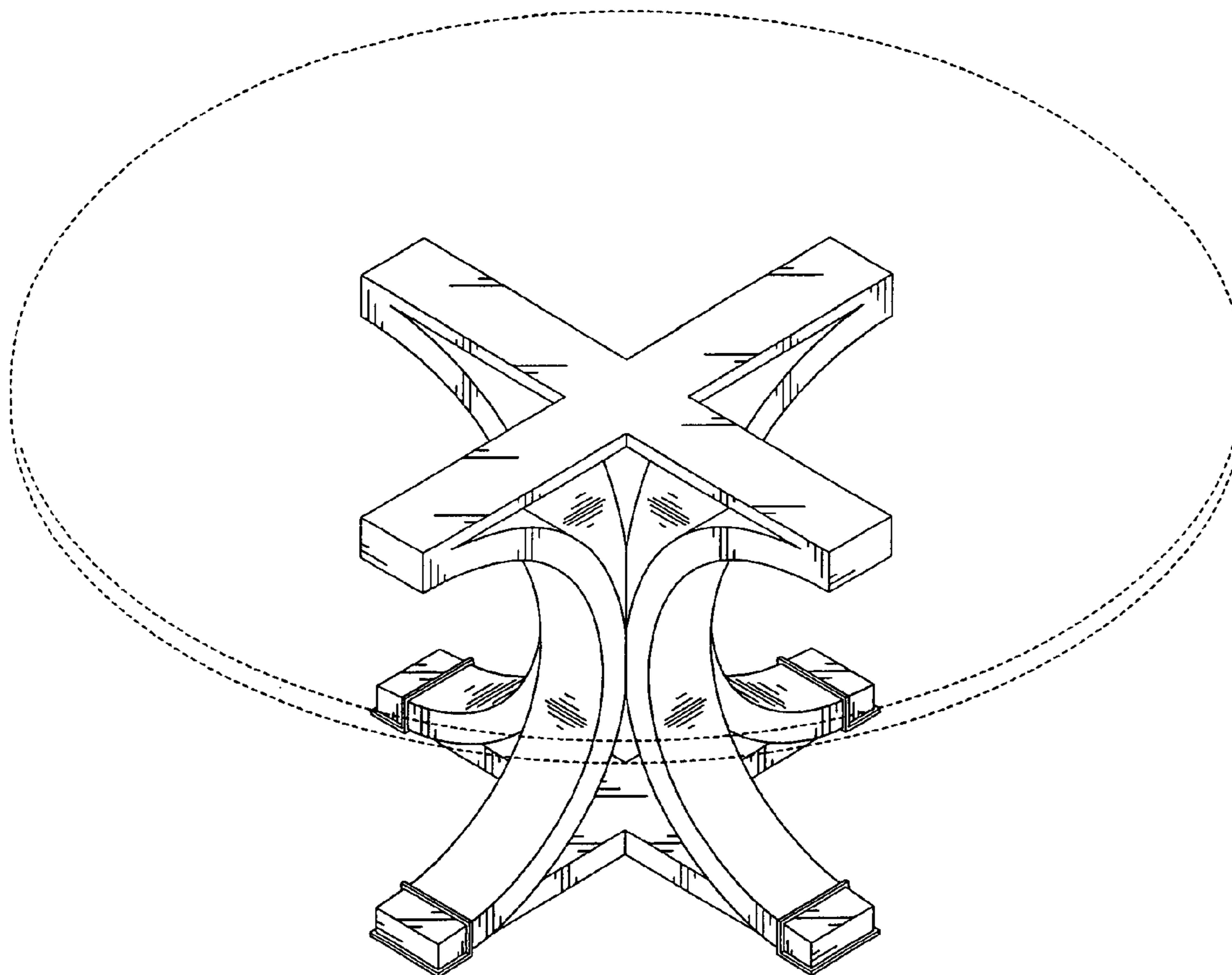
FIG. 1 is a perspective view of a table base comprising the new design;

FIG. 2 is a top view thereof; and,

FIG. 3 is a right side view thereof, where the opposing side view is a mirror image thereof.

The broken lines in the figures are for illustrative purposes only and form no part of the claimed invention.

1 Claim, 3 Drawing Sheets



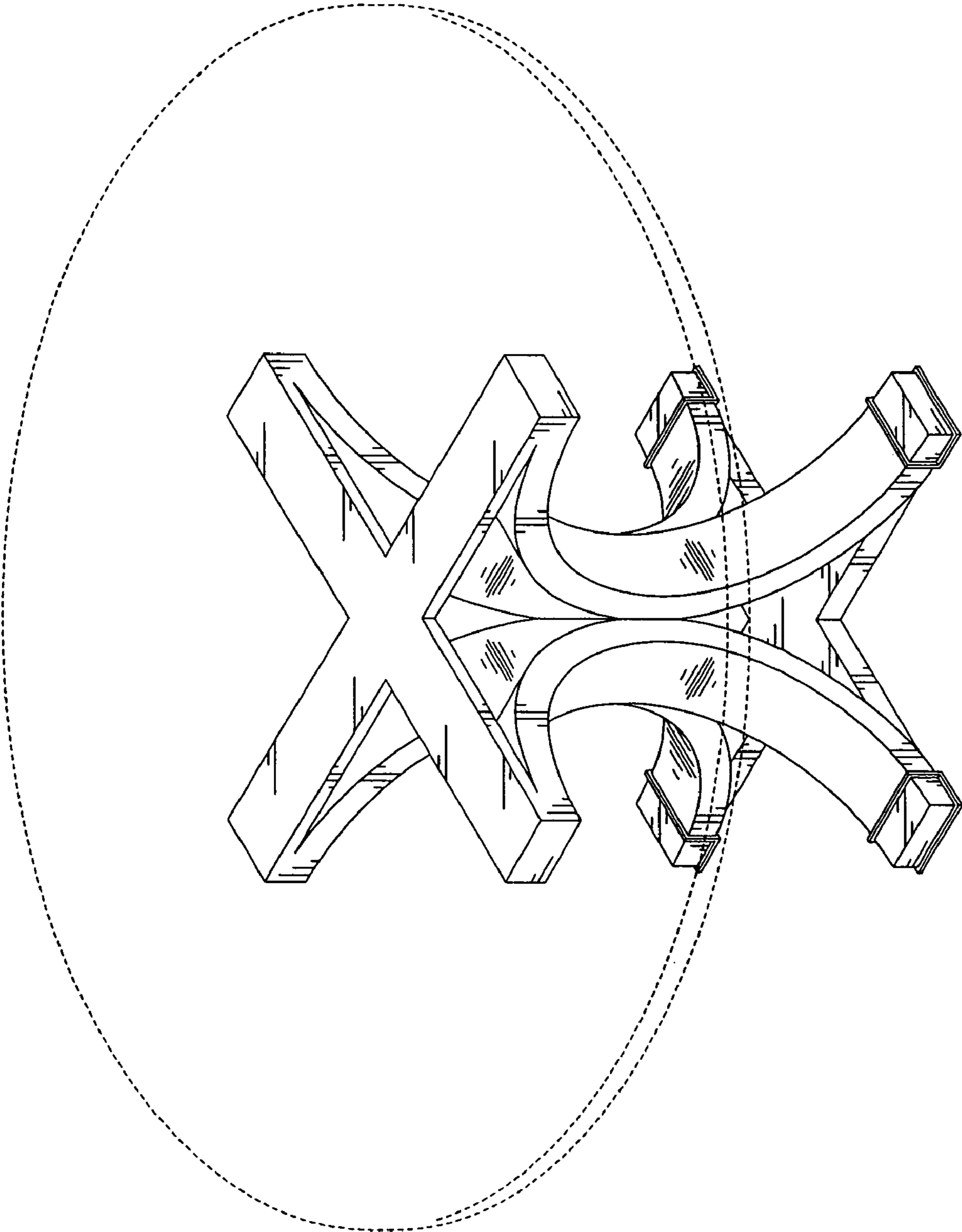


FIG. 1

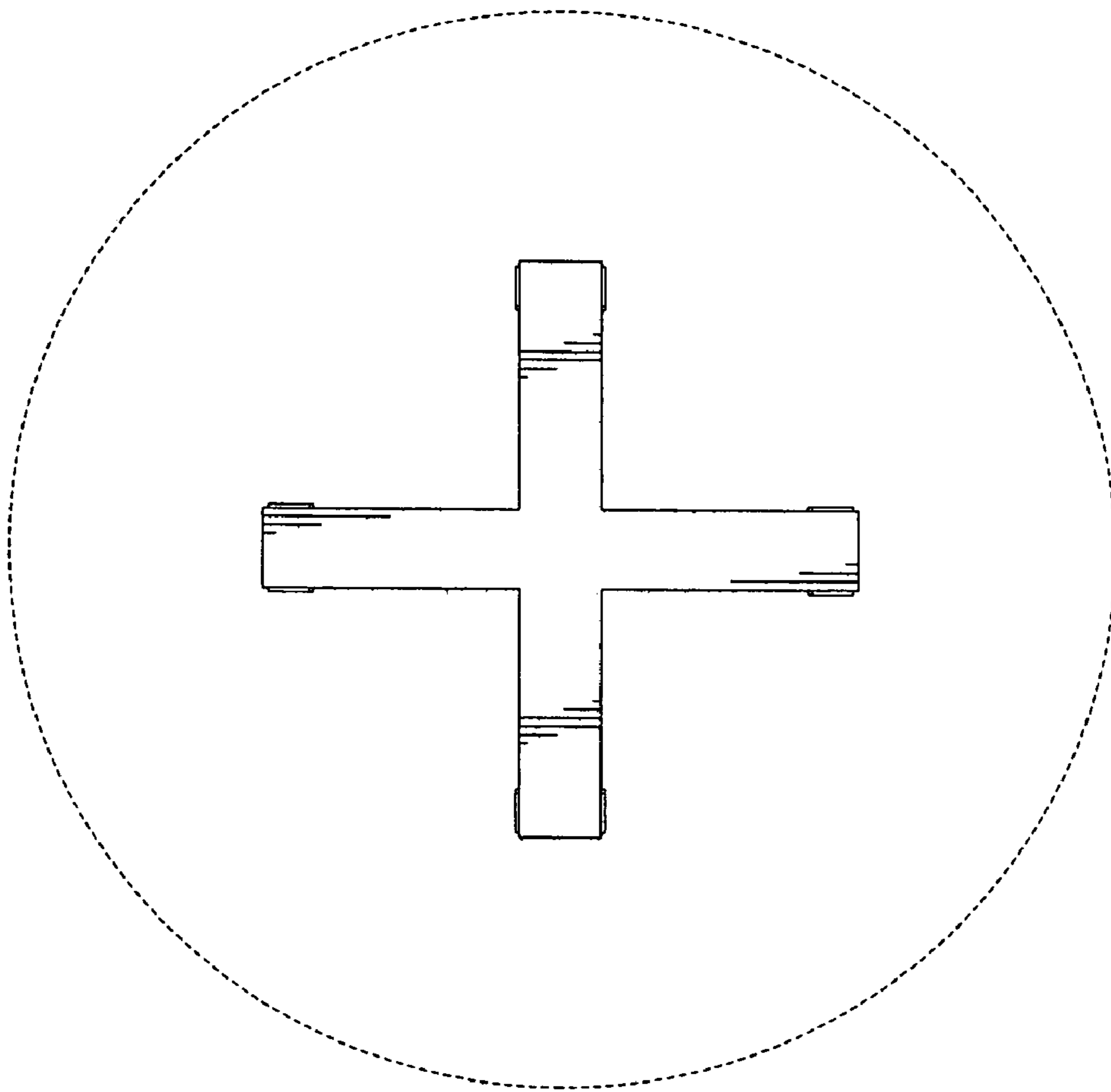


FIG. 2

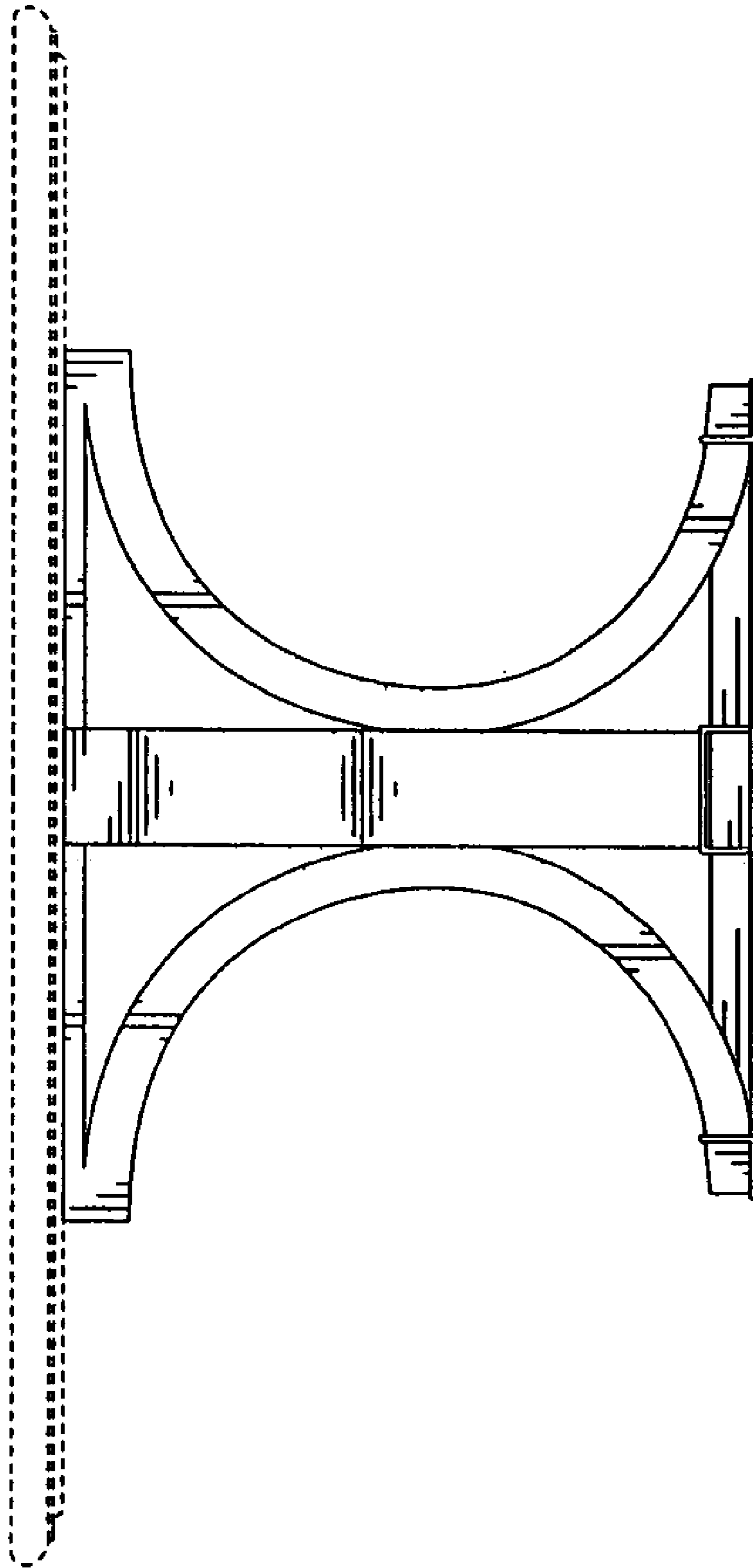


FIG. 3