



US00D543733S

(12) **United States Design Patent**
Muller

(10) **Patent No.:** **US D543,733 S**
(45) **Date of Patent:** **** Jun. 5, 2007**

(54) **TABLE BASE**

Carl A. Muller, Elite Scoop Accent Table #250, 2 pp., Apr. 2002.

(75) Inventor: **Carl A. Muller**, Huntington Beach, CA (US)

* cited by examiner

(73) Assignee: **Elite Manufacturing Corporation**, Santa Fe Springs, CA (US)

Primary Examiner—Janice E. Seeger

(74) *Attorney, Agent, or Firm*—Heslin Rothenberg Farley & Mesiti P.C.

(**) Term: **14 Years**

(57) **CLAIM**

(21) Appl. No.: **29/236,496**

The ornamental design for a table base, as shown and described.

(22) Filed: **Aug. 17, 2005**

DESCRIPTION

(51) **LOC (8) Cl.** **06-06**

This application contains subject matter which is related to the subject matter of commonly assigned and co-filed U.S. Design patent application Ser. No. 29/236,498, entitled "Table Base," by Carl A. Muller, and U.S. Design patent application Ser. No. 29/236,499, entitled "Table Base," by Carl A. Muller, the entirety of these applications being incorporated herein by reference.

(52) **U.S. Cl.** **D6/495**

(58) **Field of Classification Search** D6/480–489, D6/495–499; 108/50.01, 50.02, 150, 153.1, 108/155, 156, 157.1, 161; 248/188, 188.1, 248/188.8

See application file for complete search history.

FIG. 1 is a perspective view of a table base in accordance with the new design;

(56) **References Cited**

U.S. PATENT DOCUMENTS

- D290,072 S * 6/1987 Winzeler, III D6/486
- D359,637 S * 6/1995 Hammie D6/482
- D509,385 S * 9/2005 Muller D6/480

FIG. 2 is a front elevational view thereof; a rear elevational view being a mirror image thereof;

FIG. 3 is a right side elevational view thereof;

FIG. 4 is a left side elevational view thereof; and,

FIG. 5 is a top view thereof.

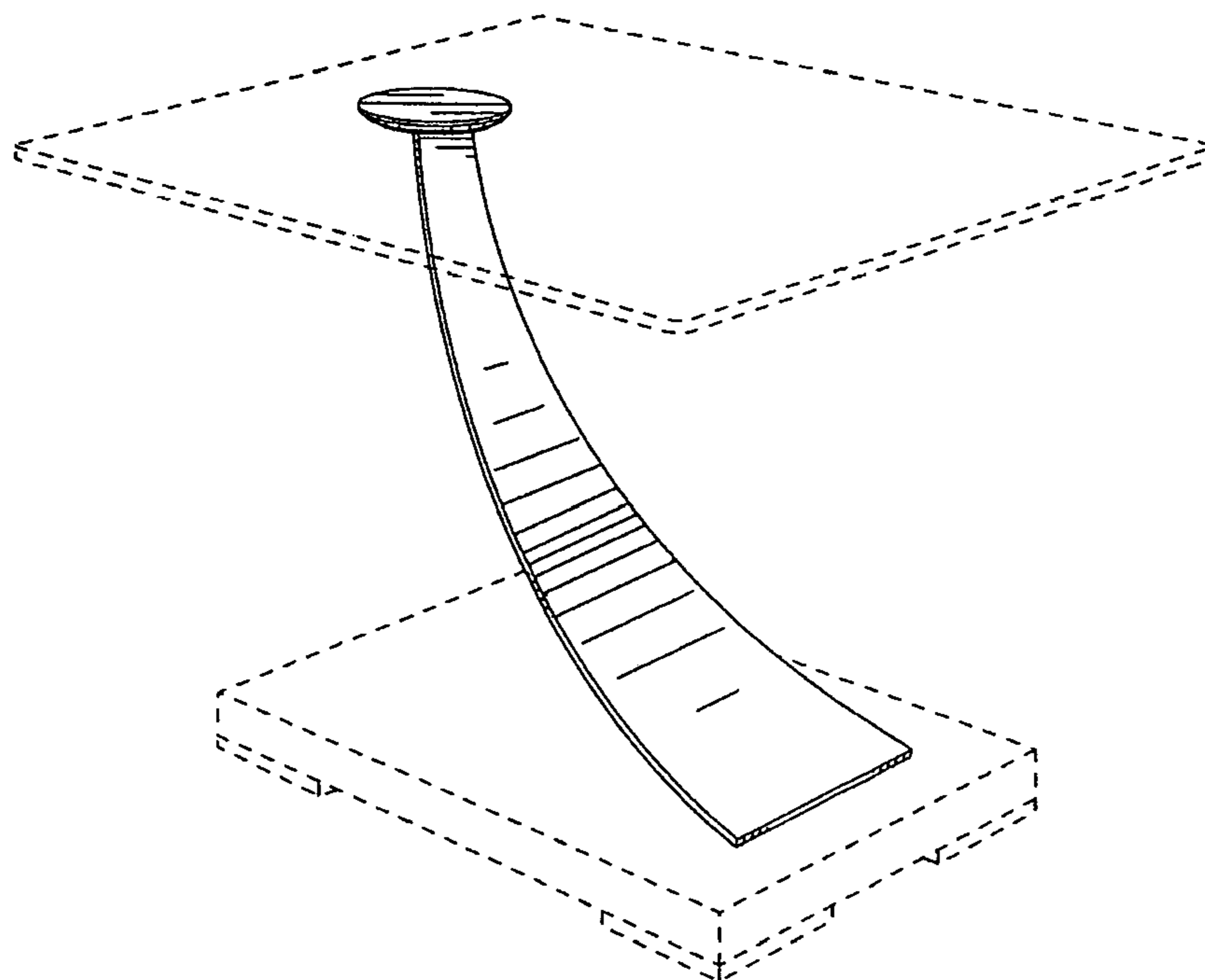
The broken lines in the figures are for illustrative purposes only and form no part of the claimed invention.

OTHER PUBLICATIONS

Carl A. Muller, Table Base, U.S. App. No. 29/236,499, filed Aug. 17, 2005, 11 pp.

Carl A. Muller, Table Base, U.S. Appl. No. 29/236,498, filed Aug. 17, 2005, 6 pp.

1 Claim, 5 Drawing Sheets



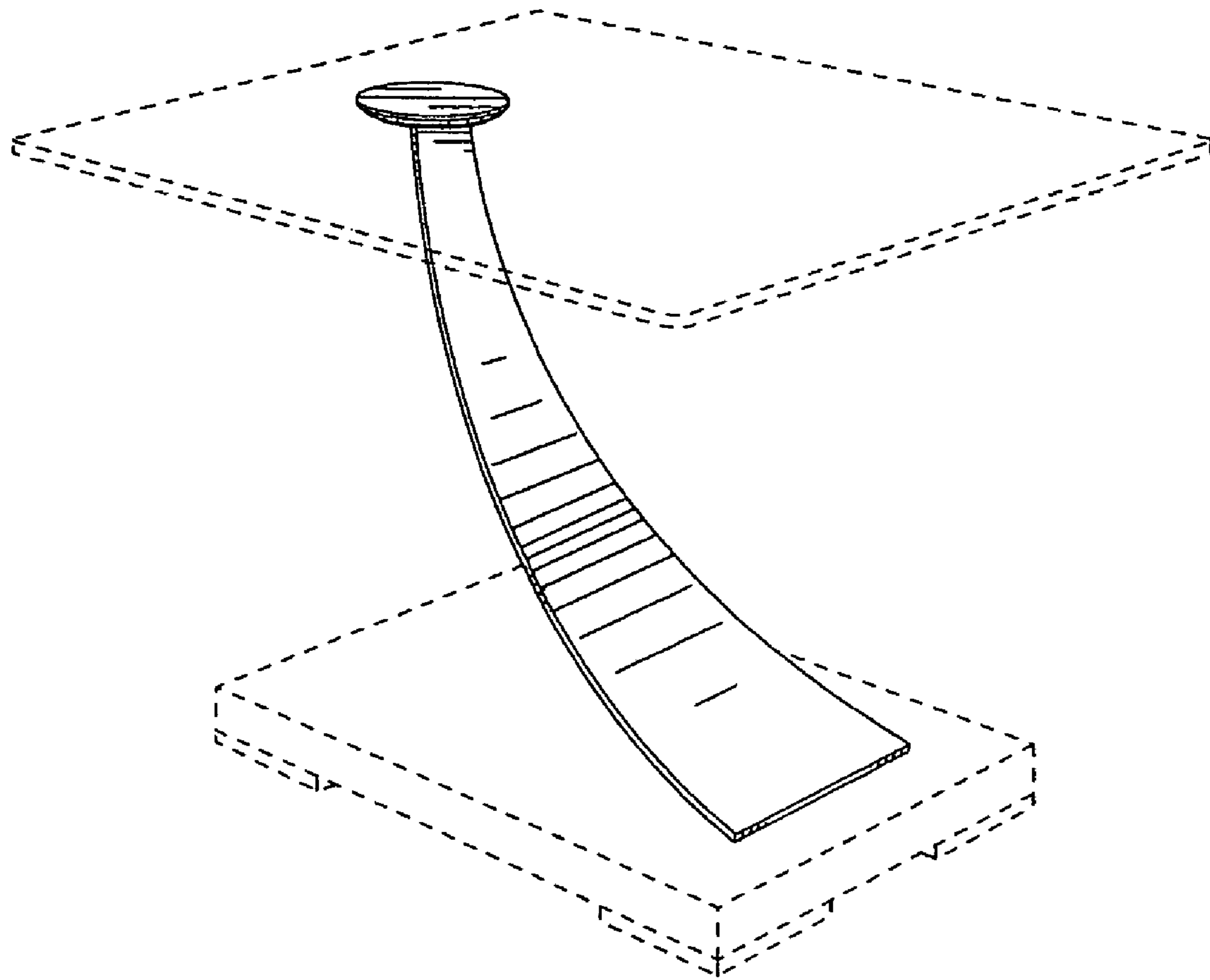


FIG. 1

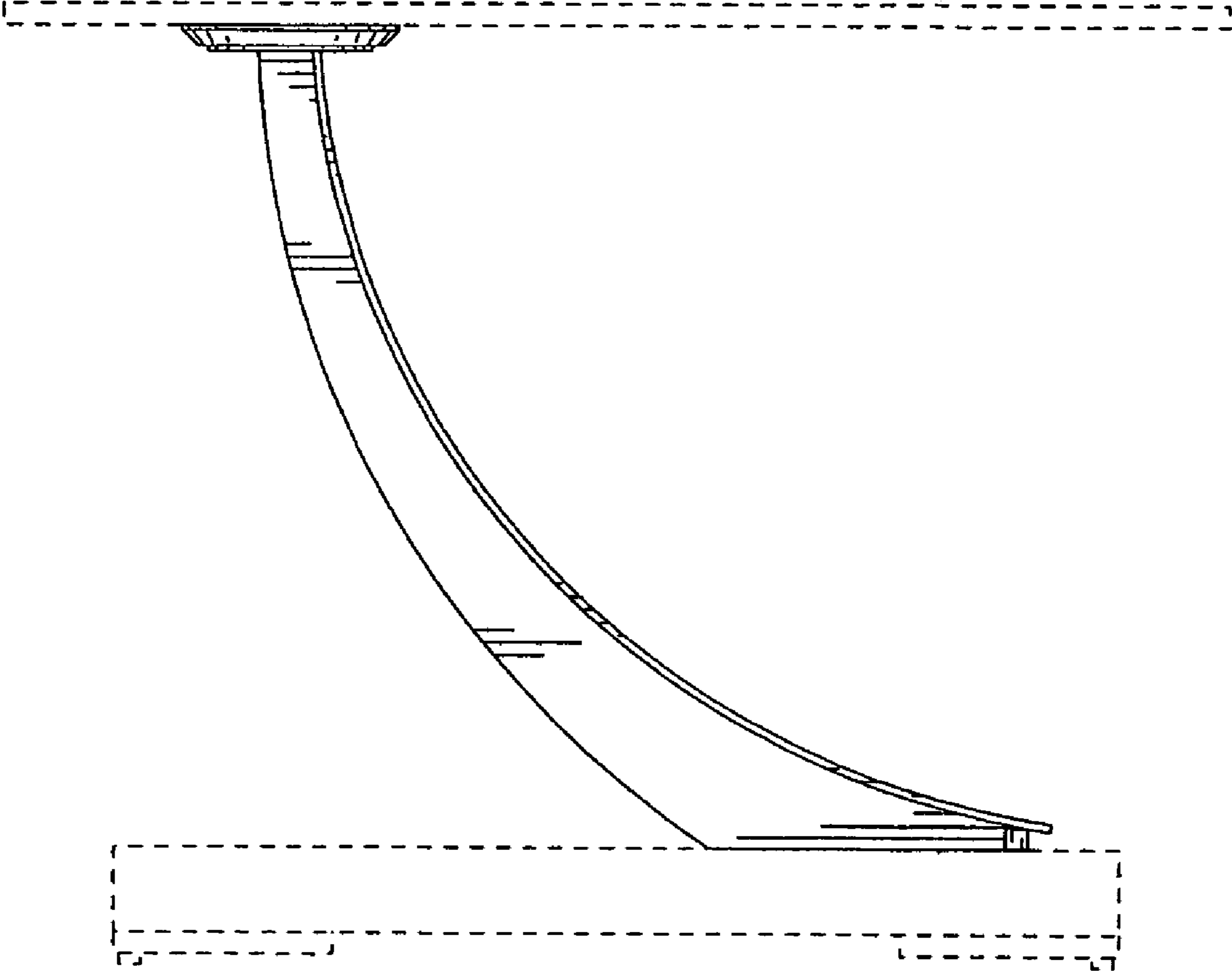


FIG. 2

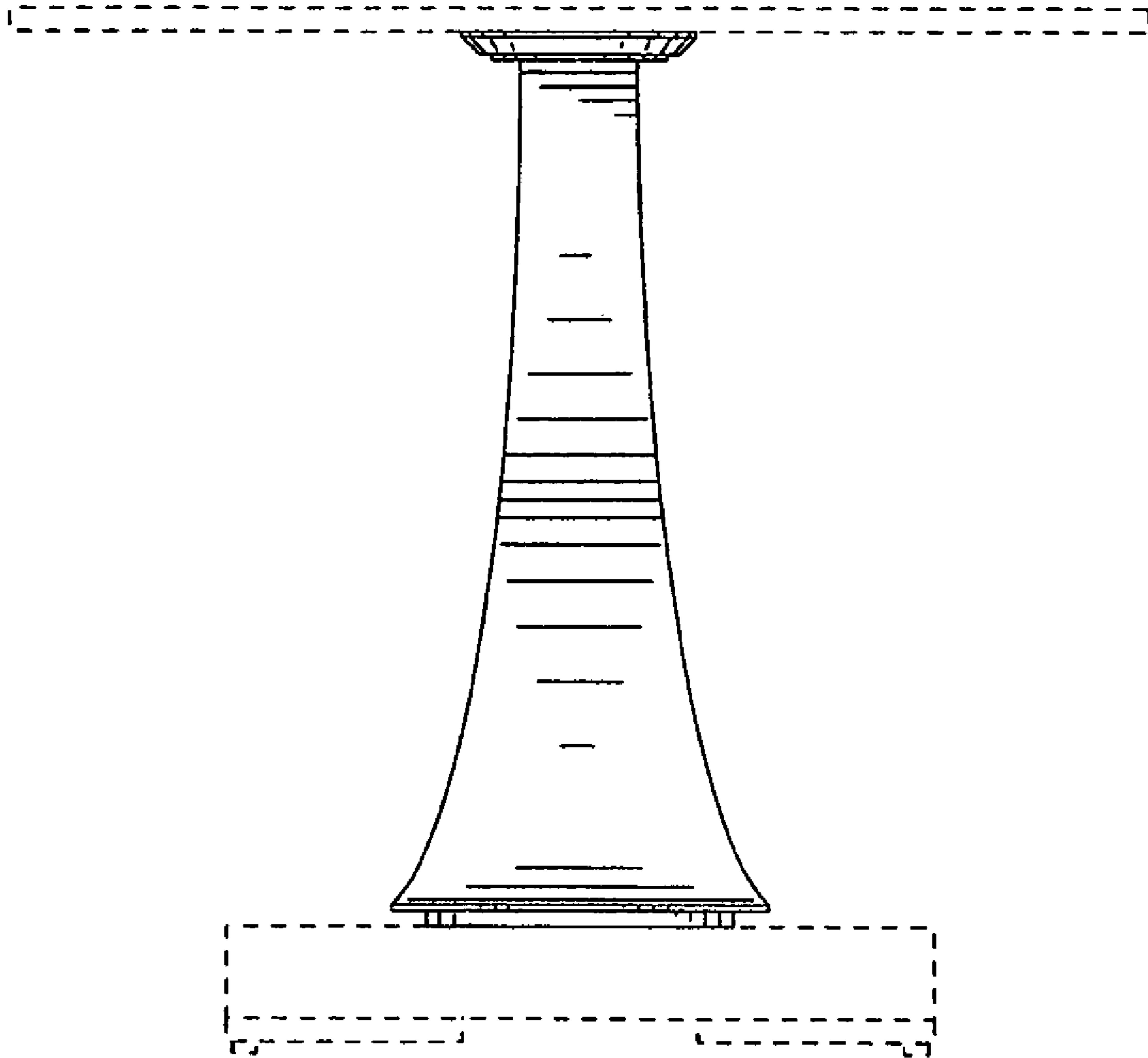


FIG. 3

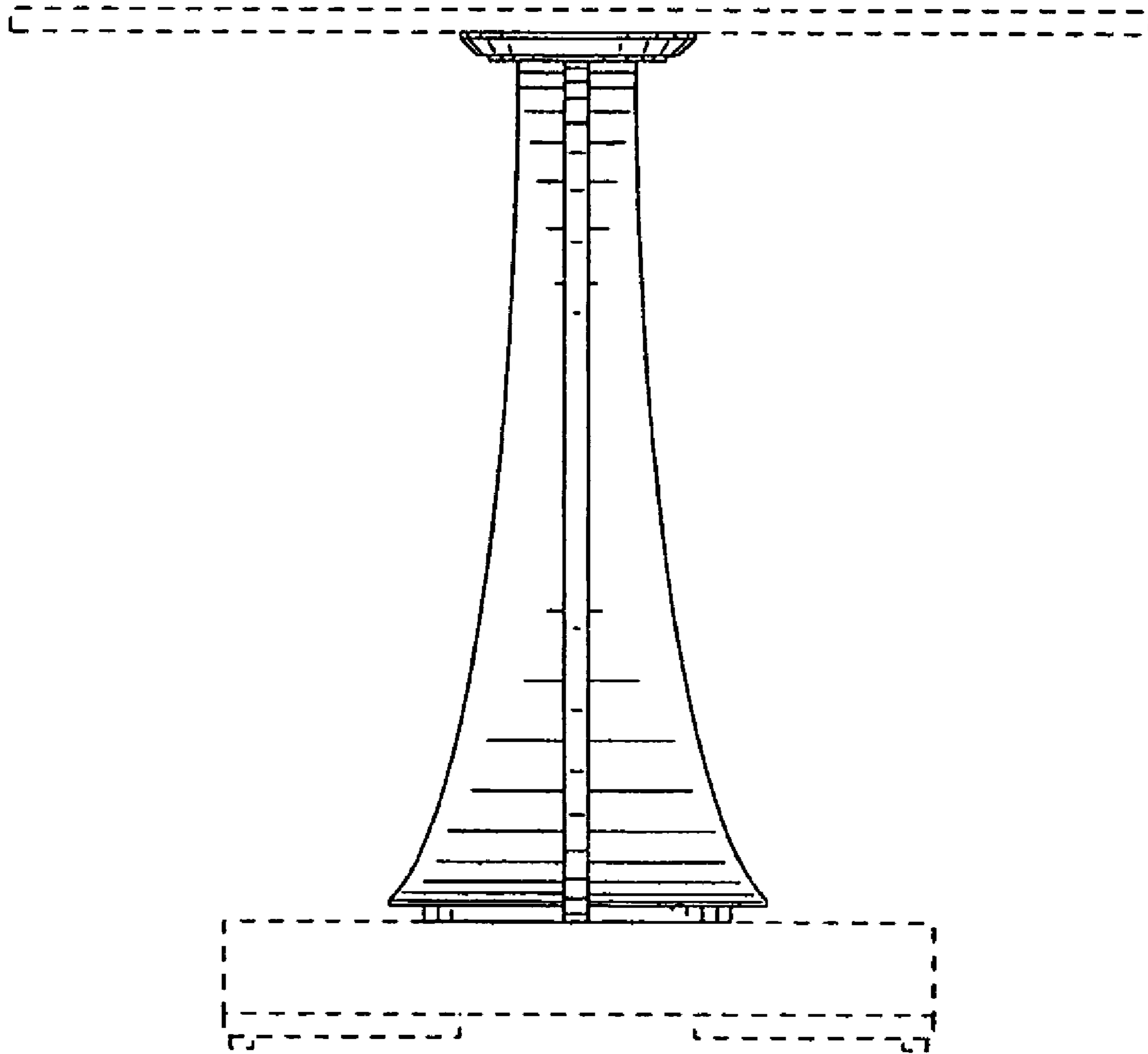


FIG. 4

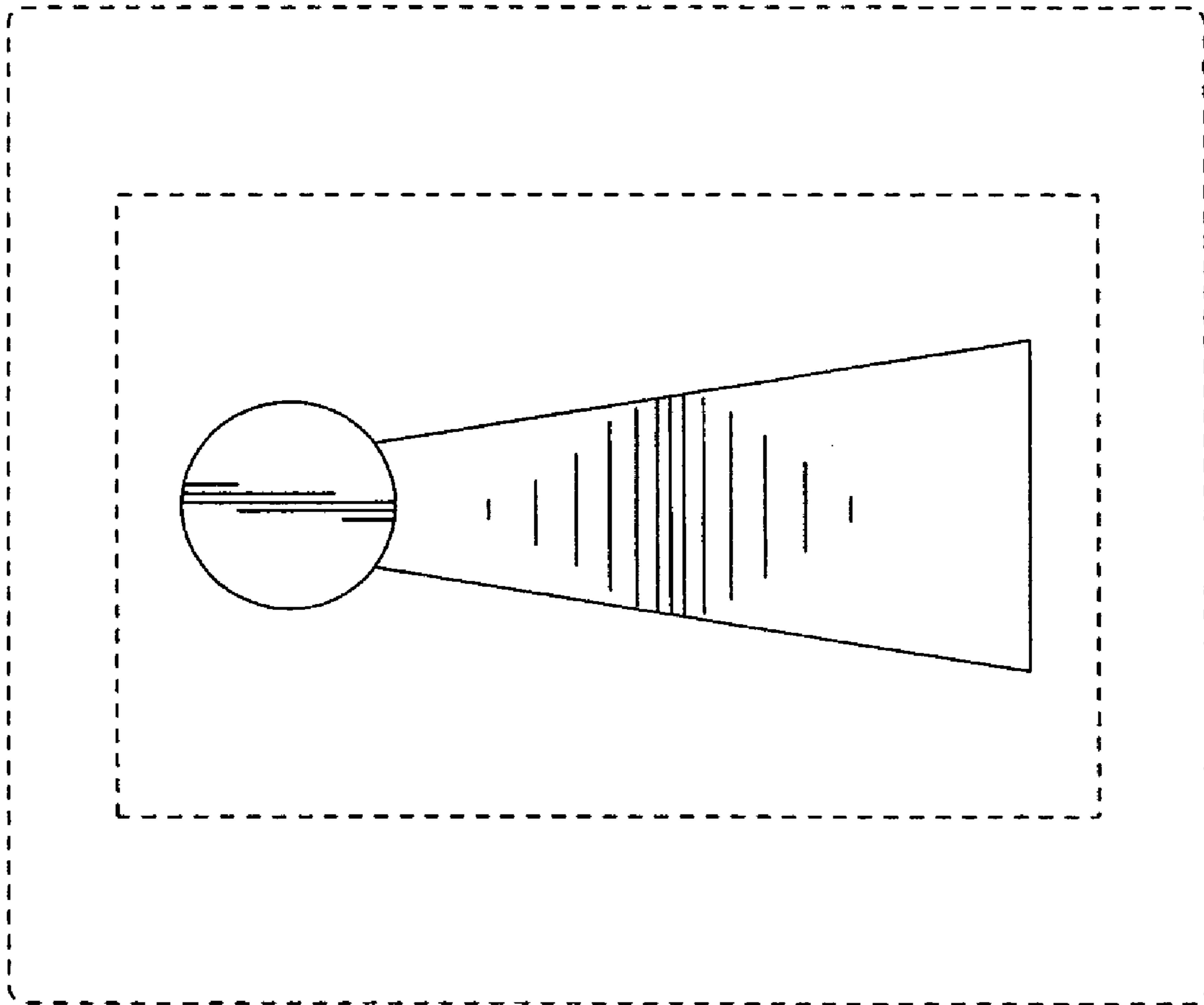


FIG. 5