



US00D543732S

(12) **United States Design Patent**
Alter Molina

(10) **Patent No.:** **US D543,732 S**

(45) **Date of Patent:** **** Jun. 5, 2007**

(54) **TABLES**

(75) Inventor: **Lievore Alter Molina**, Barcelona (ES)

(73) Assignee: **Arper S.p.A.**, Monastier di Treviso (IT)

(**) Term: **14 Years**

(21) Appl. No.: **29/216,827**

(22) Filed: **Nov. 9, 2004**

(30) **Foreign Application Priority Data**

May 14, 2004 (EM) 000183918

(51) **LOC (8) Cl.** **06-03**

(52) **U.S. Cl.** **D6/486**

(58) **Field of Classification Search** D6/480-489,
D6/495-499, 429, 511, 491, 477; 108/150,
108/153.1, 155, 156, 161; 248/188, 188.1,
248/188.7, 188.8

See application file for complete search history.

(56) **References Cited**

U.S. PATENT DOCUMENTS

- D164,295 S * 8/1951 Gierlich D6/429
- D218,422 S * 8/1970 Crandall D6/495
- D363,399 S * 10/1995 Wong D6/486
- D436,270 S * 1/2001 Kane D6/486

D447,893 S * 9/2001 Simonelli et al. D6/486

* cited by examiner

Primary Examiner—Janice E. Seeger

(74) *Attorney, Agent, or Firm*—Scully, Scott, Murphy & Presser, P.C.

(57) **CLAIM**

The ornamental design for the “tables”, as shown and described.

DESCRIPTION

FIG. 1 is a perspective view of the table, showing my new design;

FIG. 2 is a front view thereof;

FIG. 3 is a rear view thereof;

FIG. 4 is a left side view thereof;

FIG. 5 is a right side view thereof;

FIG. 6 is a top view thereof;

FIG. 7 is a bottom view thereof;

FIG. 8 is a perspective view of a second embodiment of the table, according to the invention;

FIG. 9 is a front view thereof;

FIG. 10 is a rear view thereof;

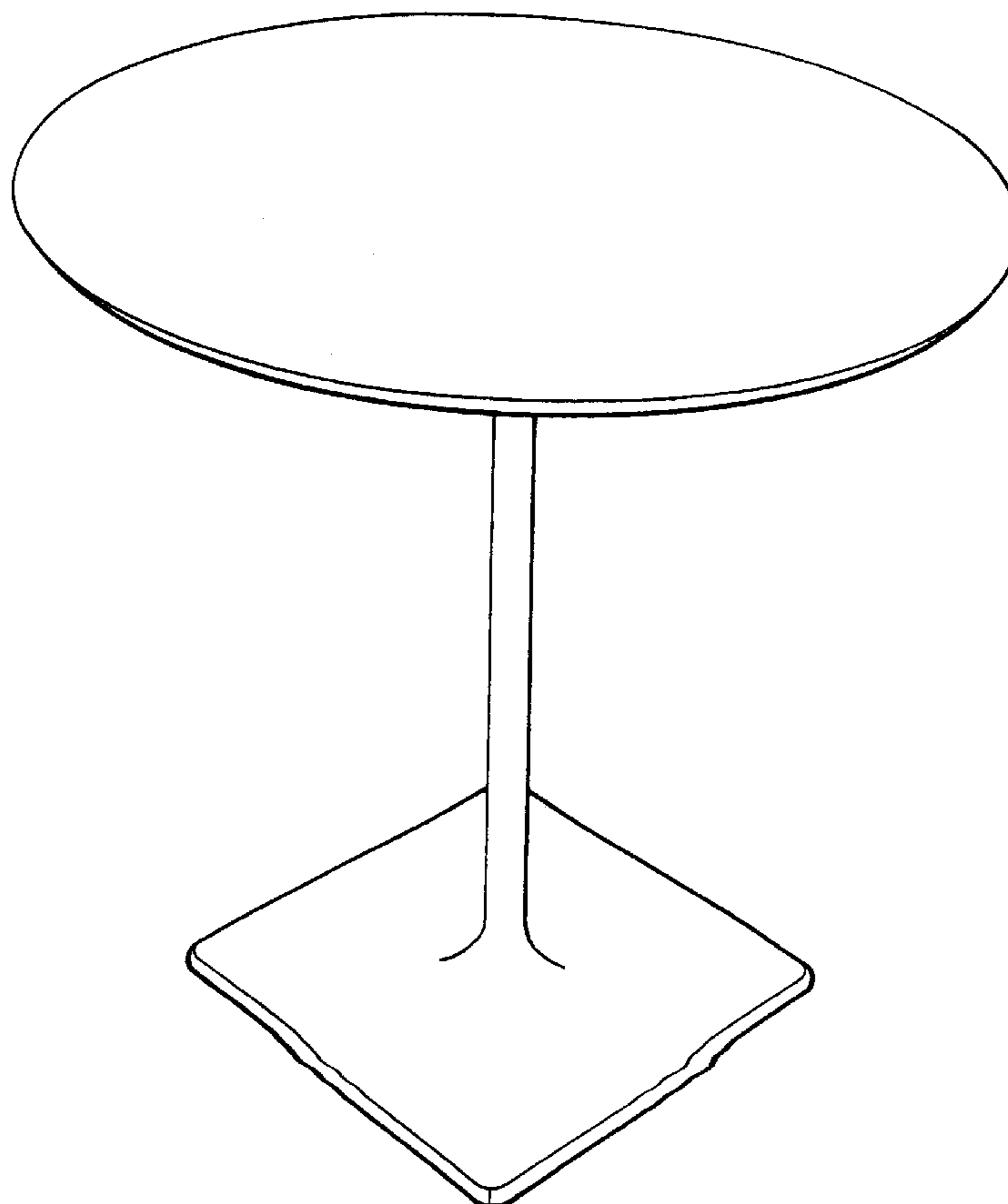
FIG. 11 is a left side view thereof;

FIG. 12 is a right side view thereof;

FIG. 13 is a top view thereof; and,

FIG. 14 is a bottom view thereof.

1 Claim, 14 Drawing Sheets



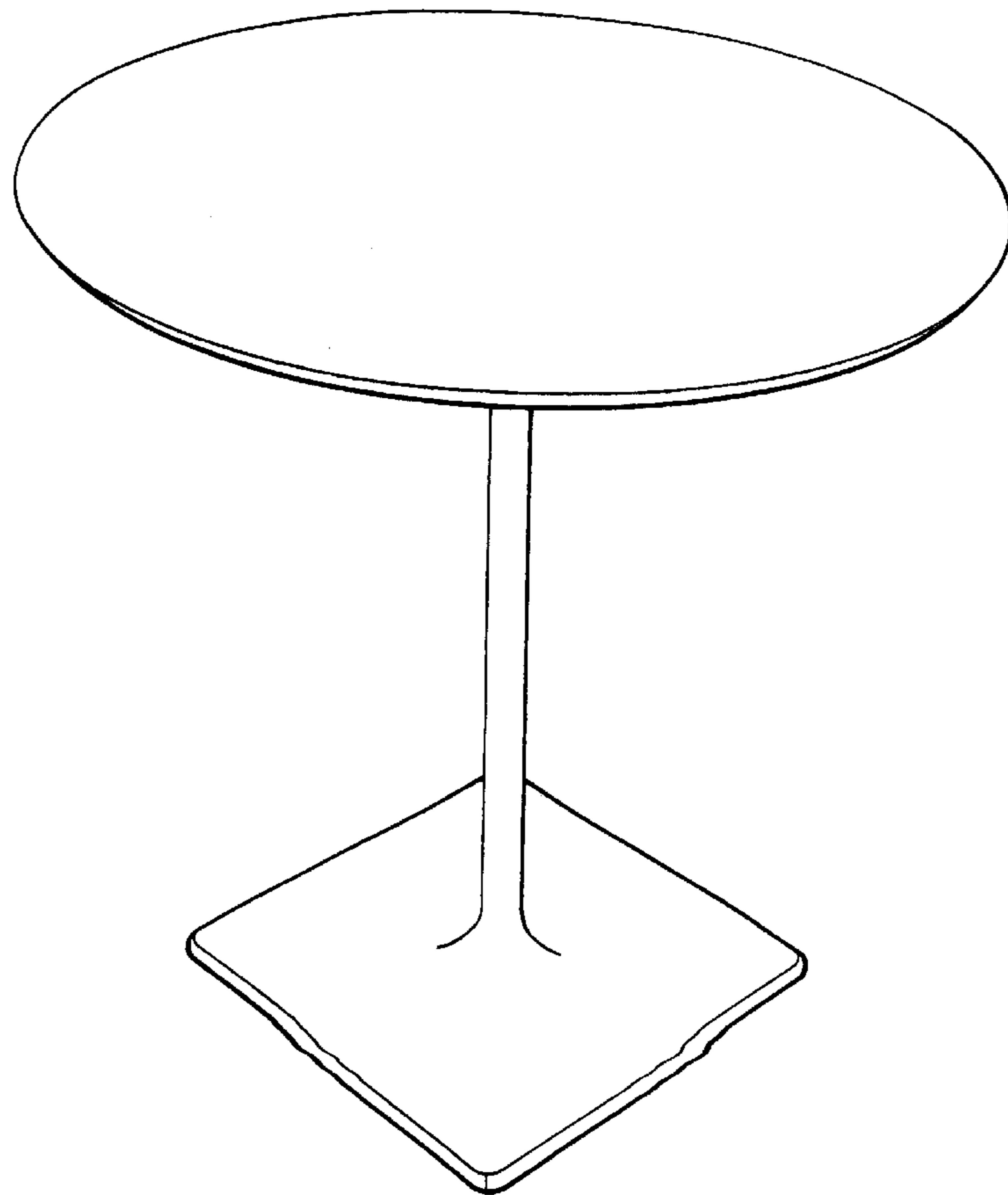


FIG. 1

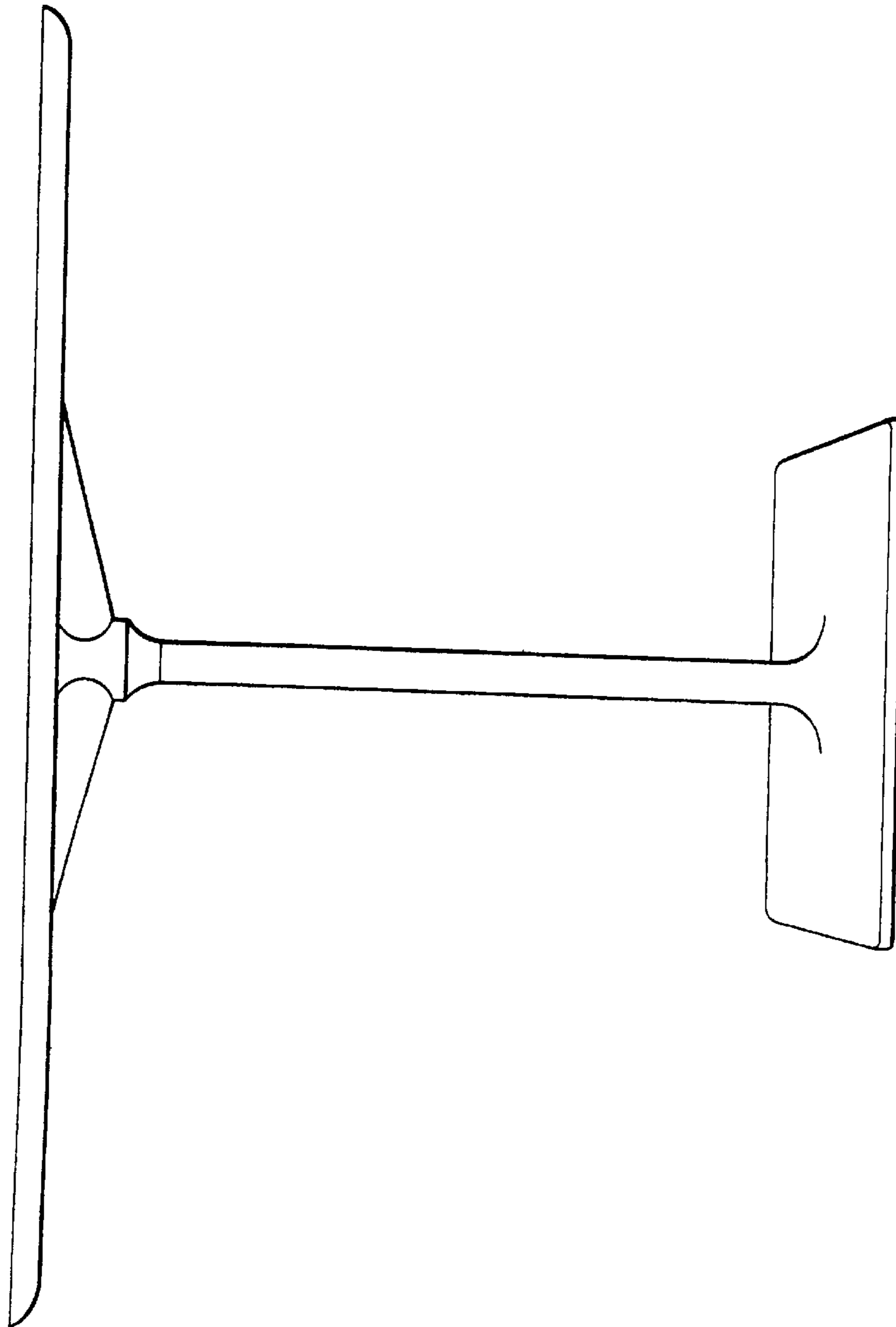


FIG. 2

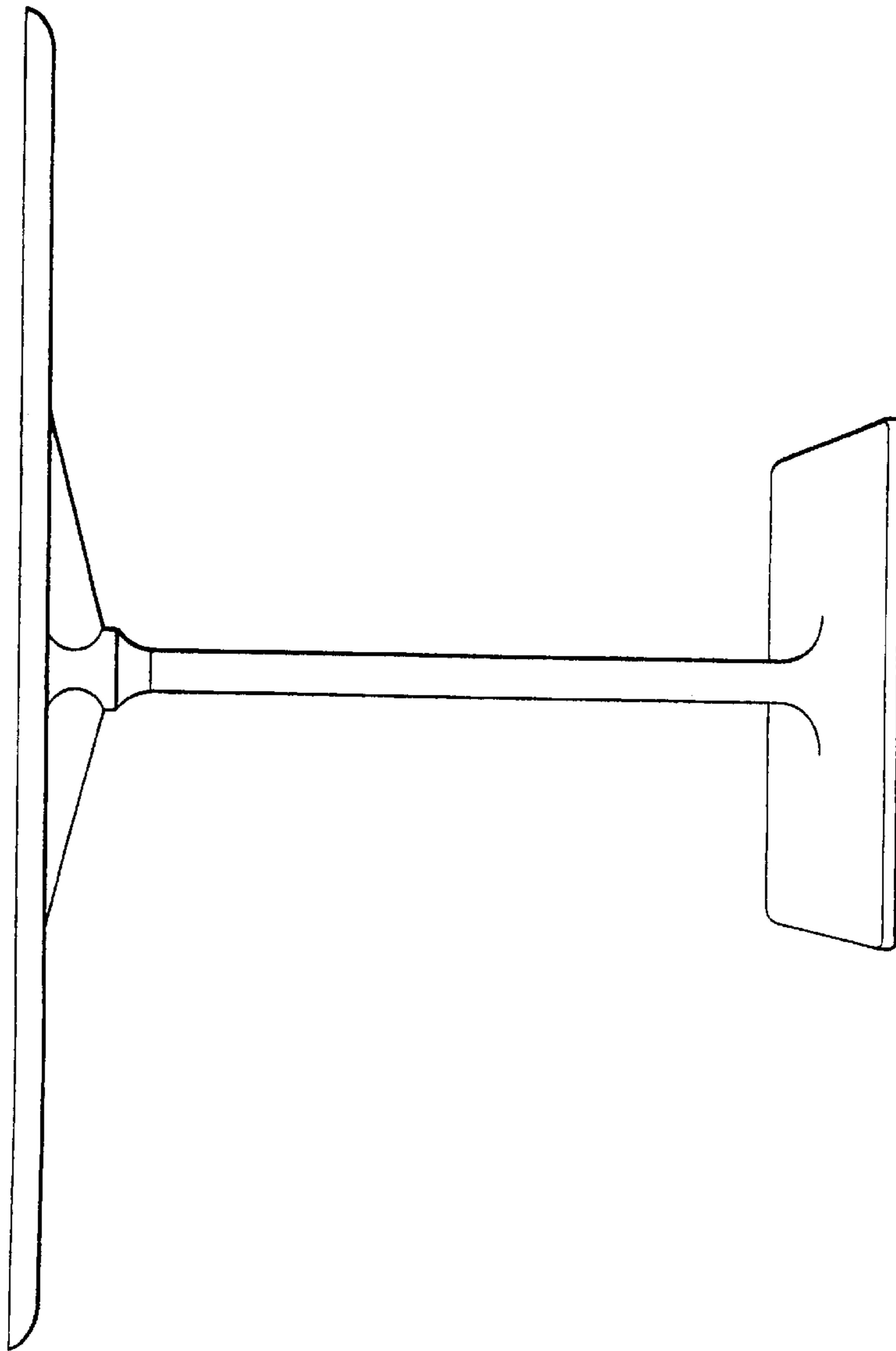


Fig. 3

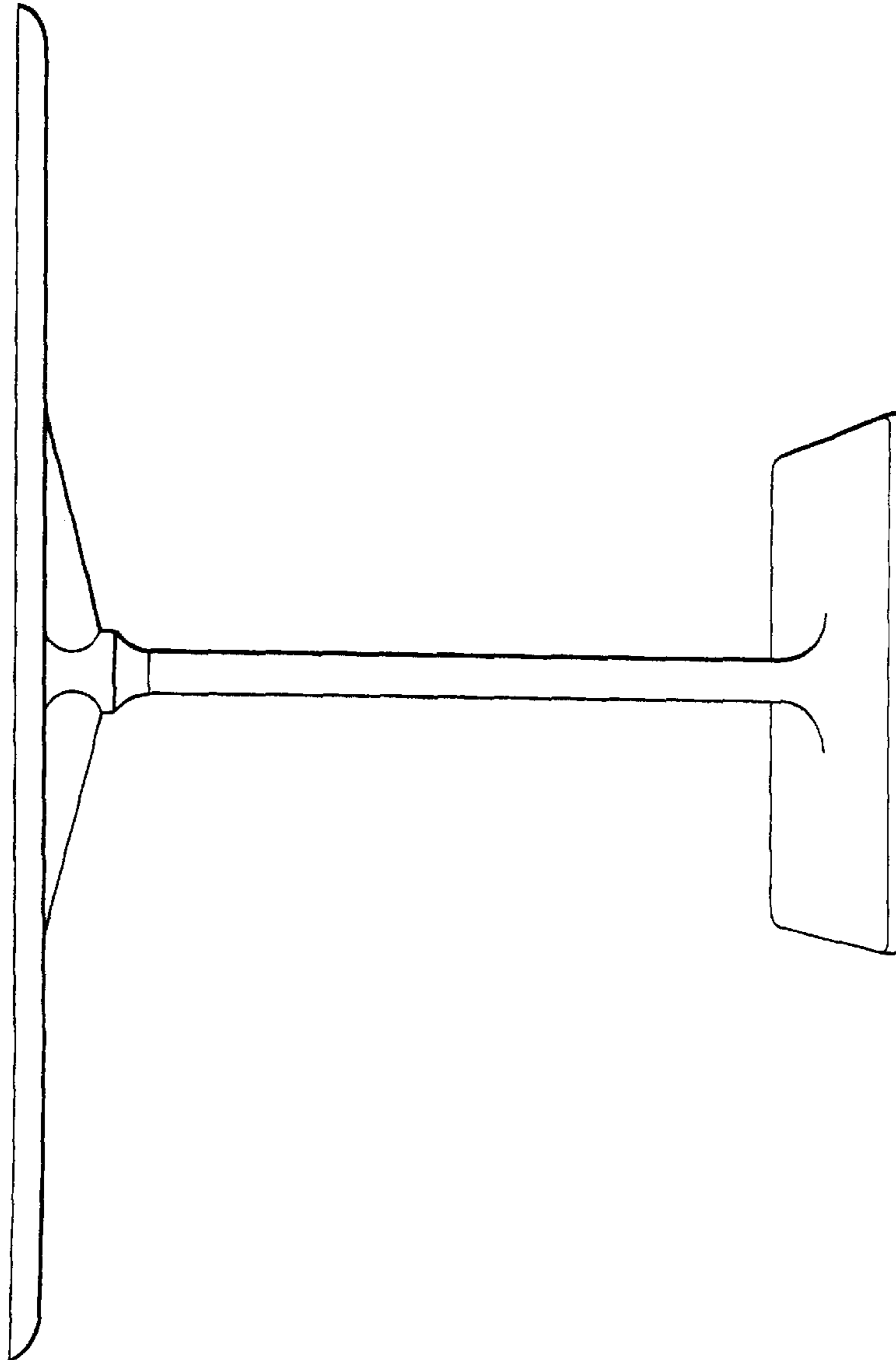


FIG. 4

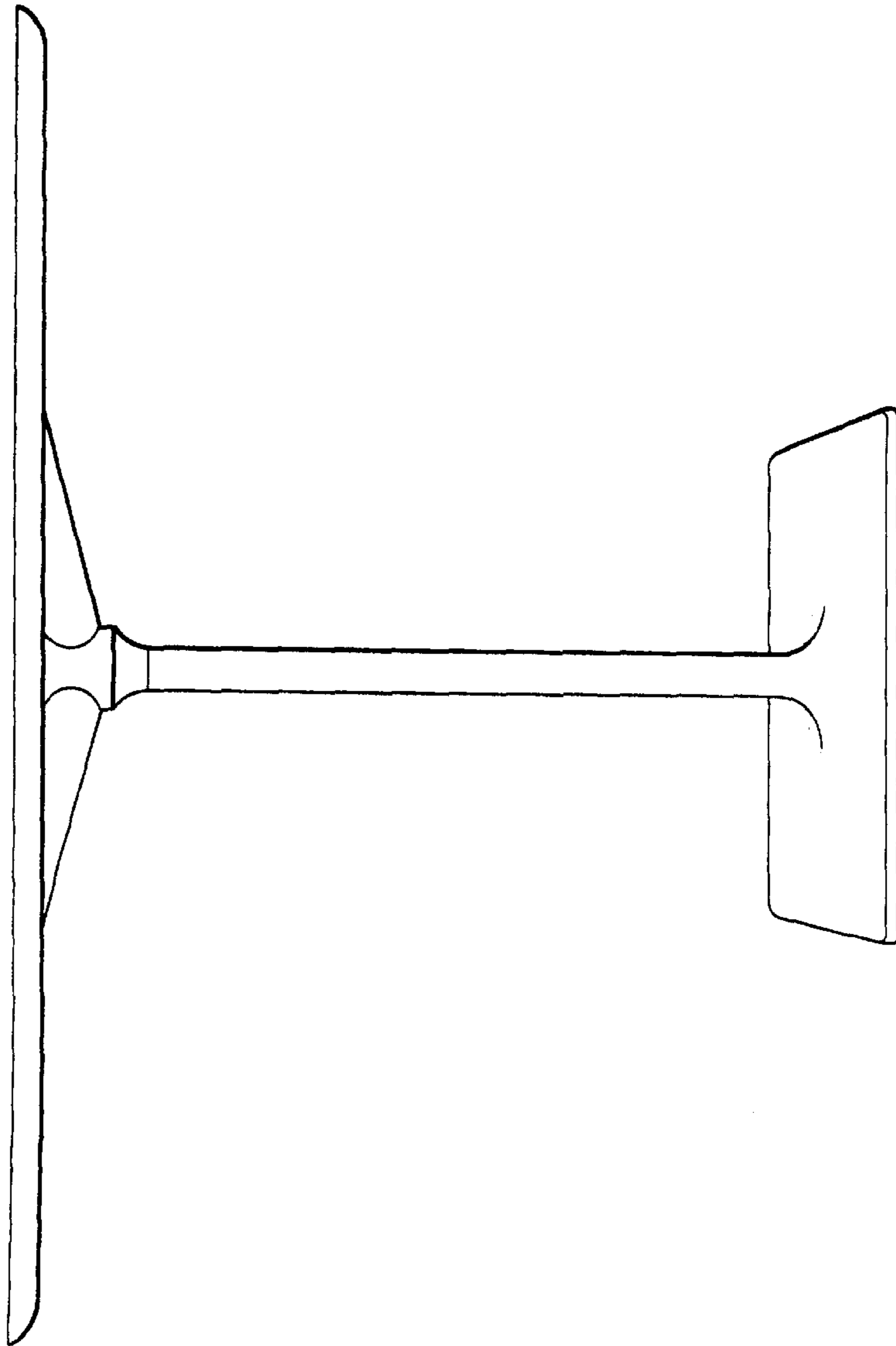


FIG. 5

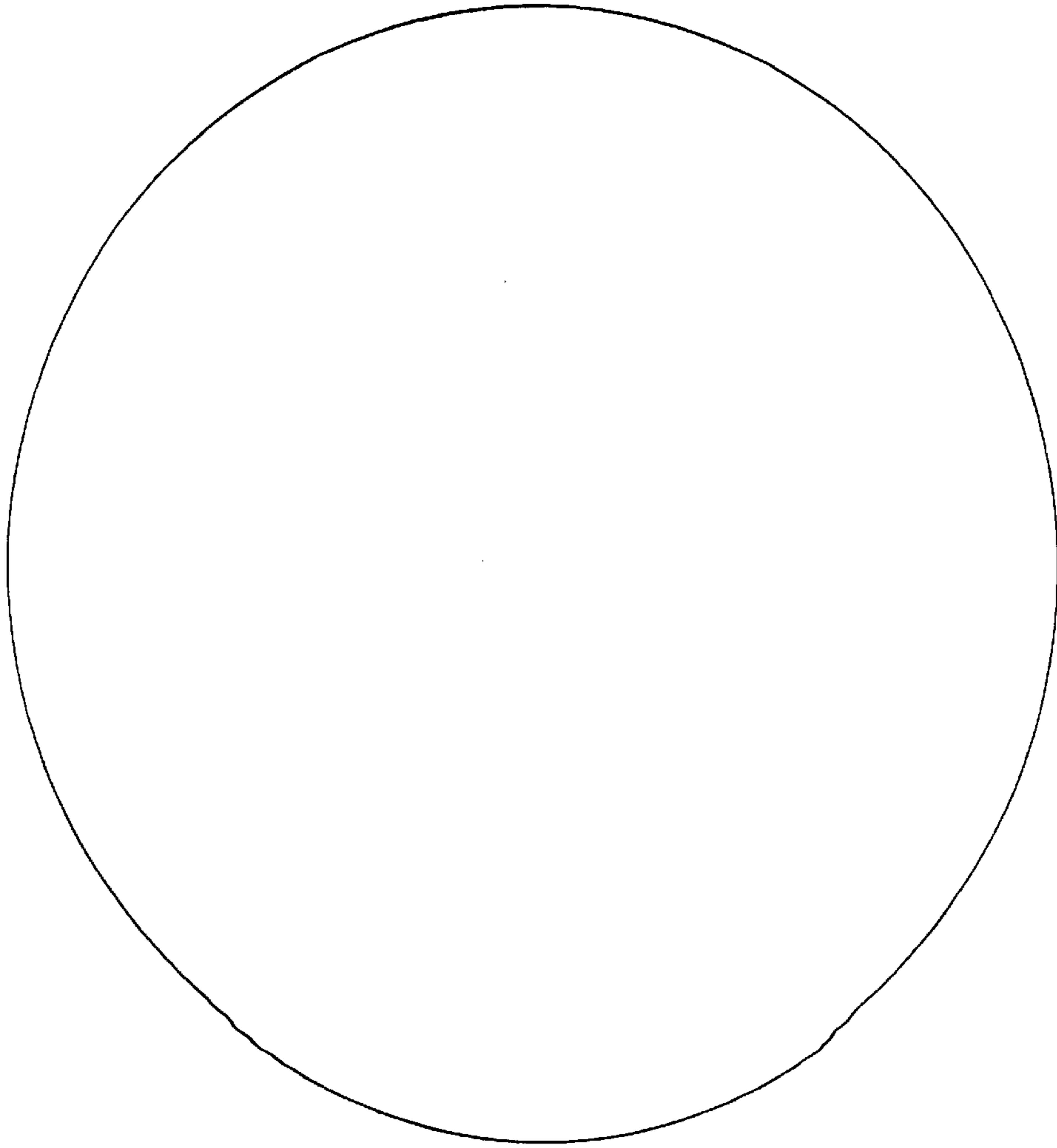


FIG. 6

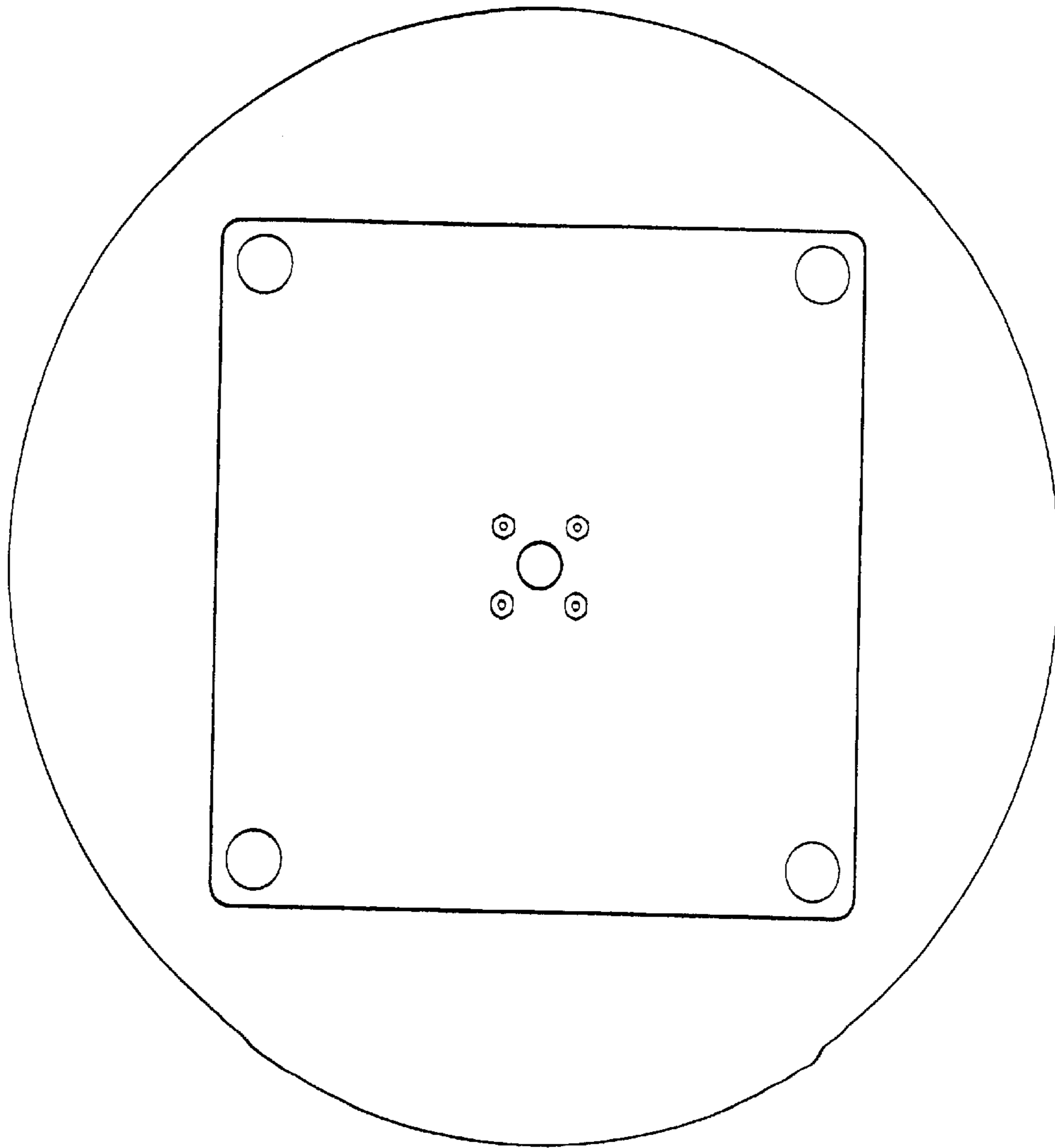


Fig. 7

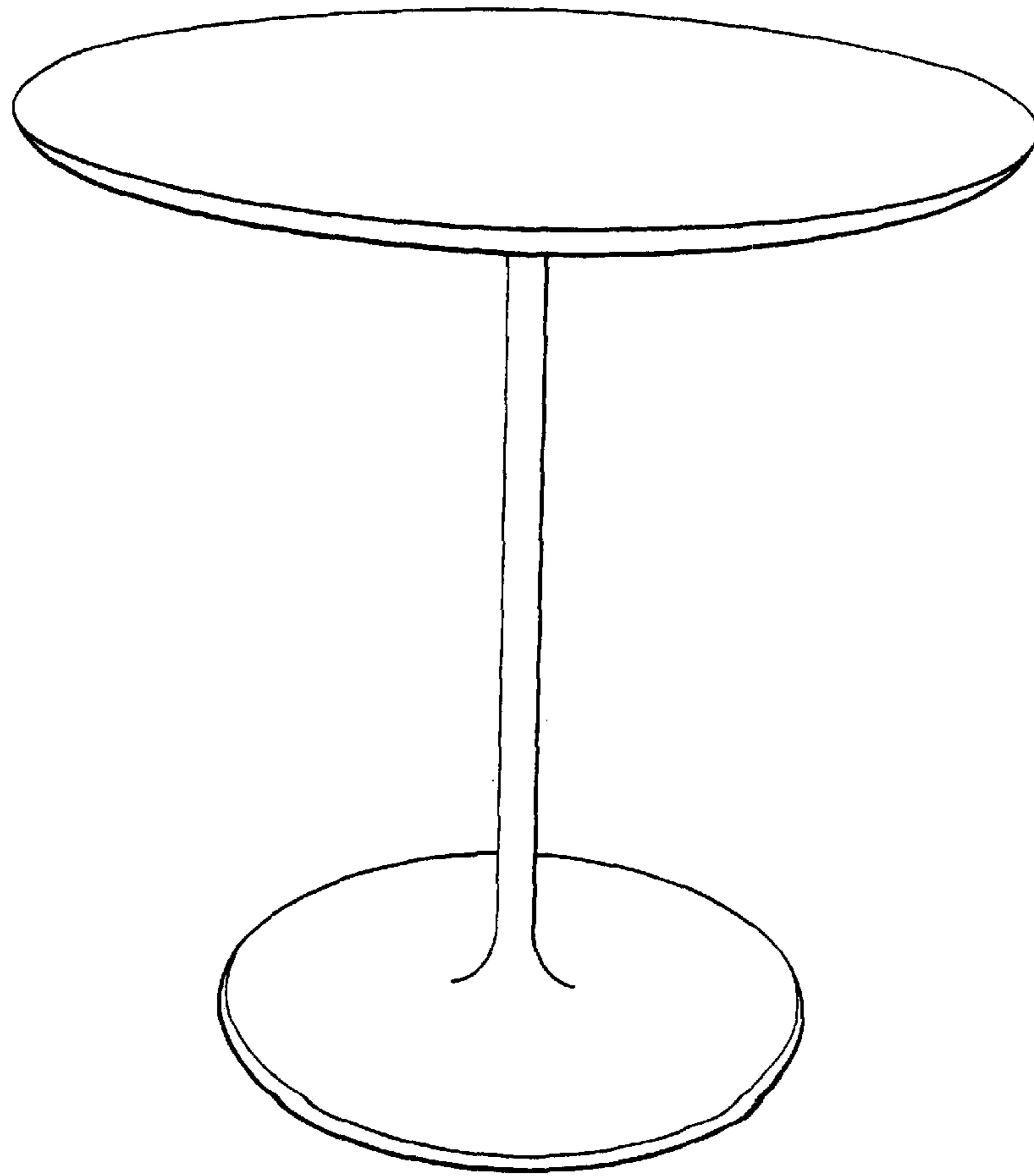


Fig. 8

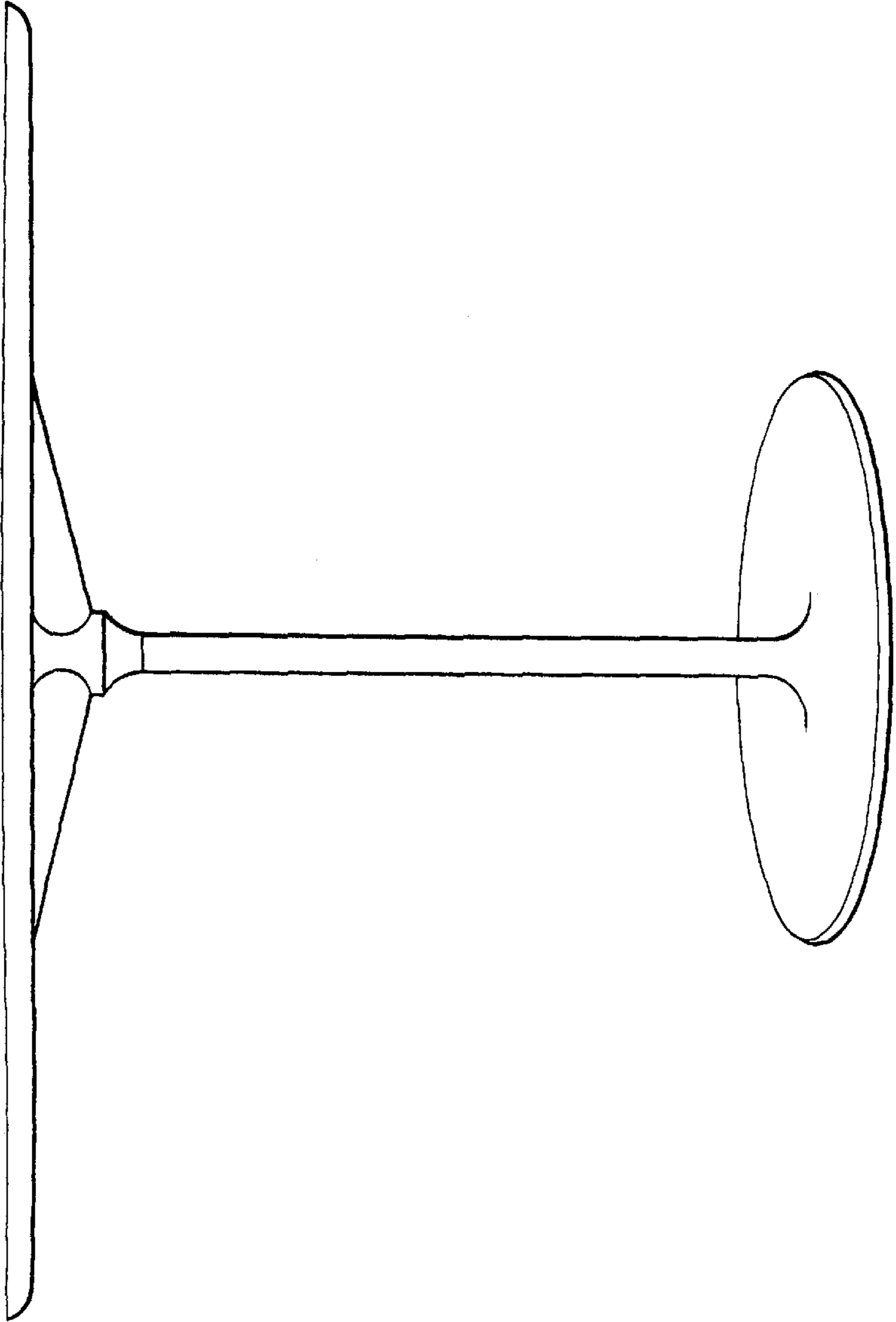


FIG. 9

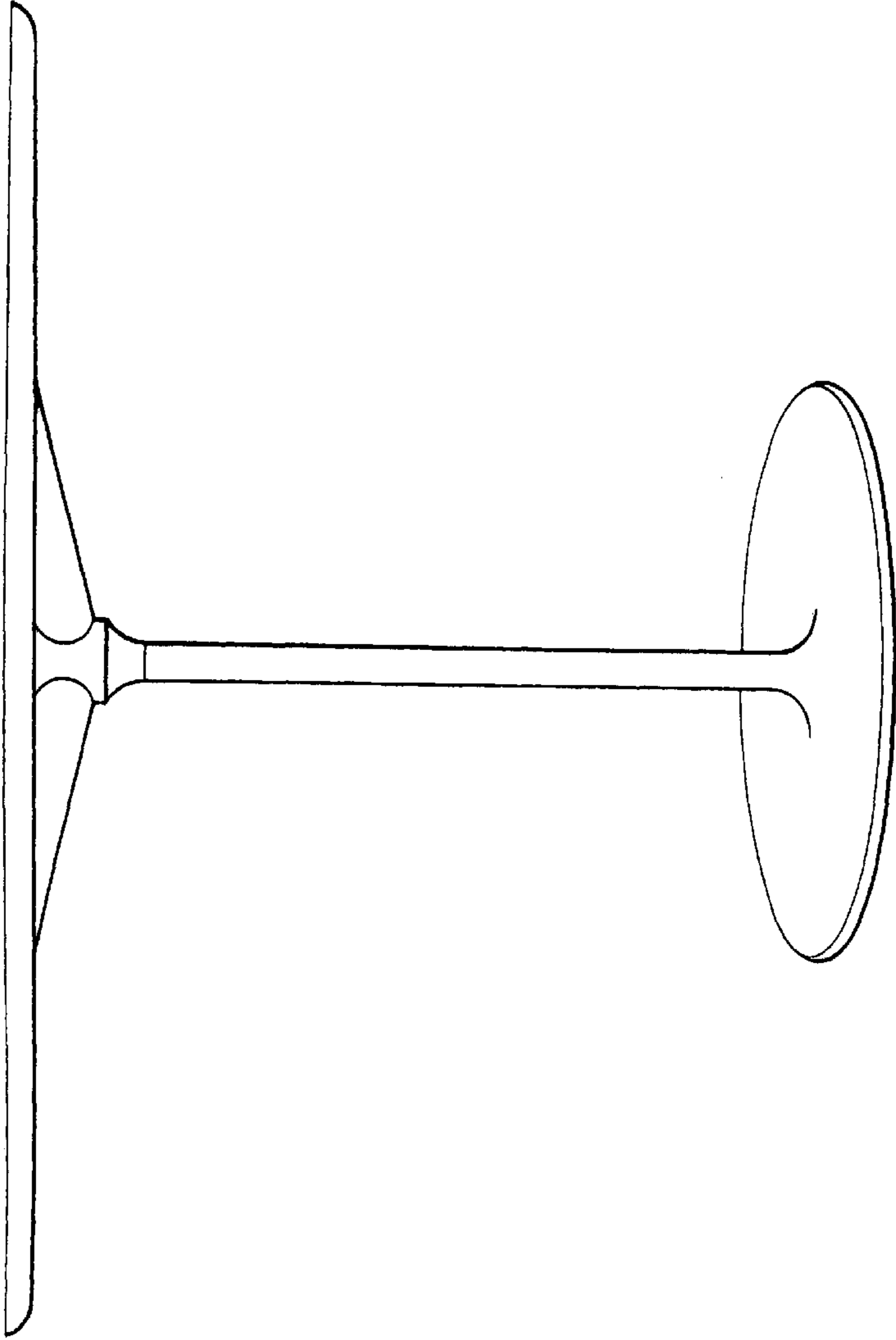


Fig. 10

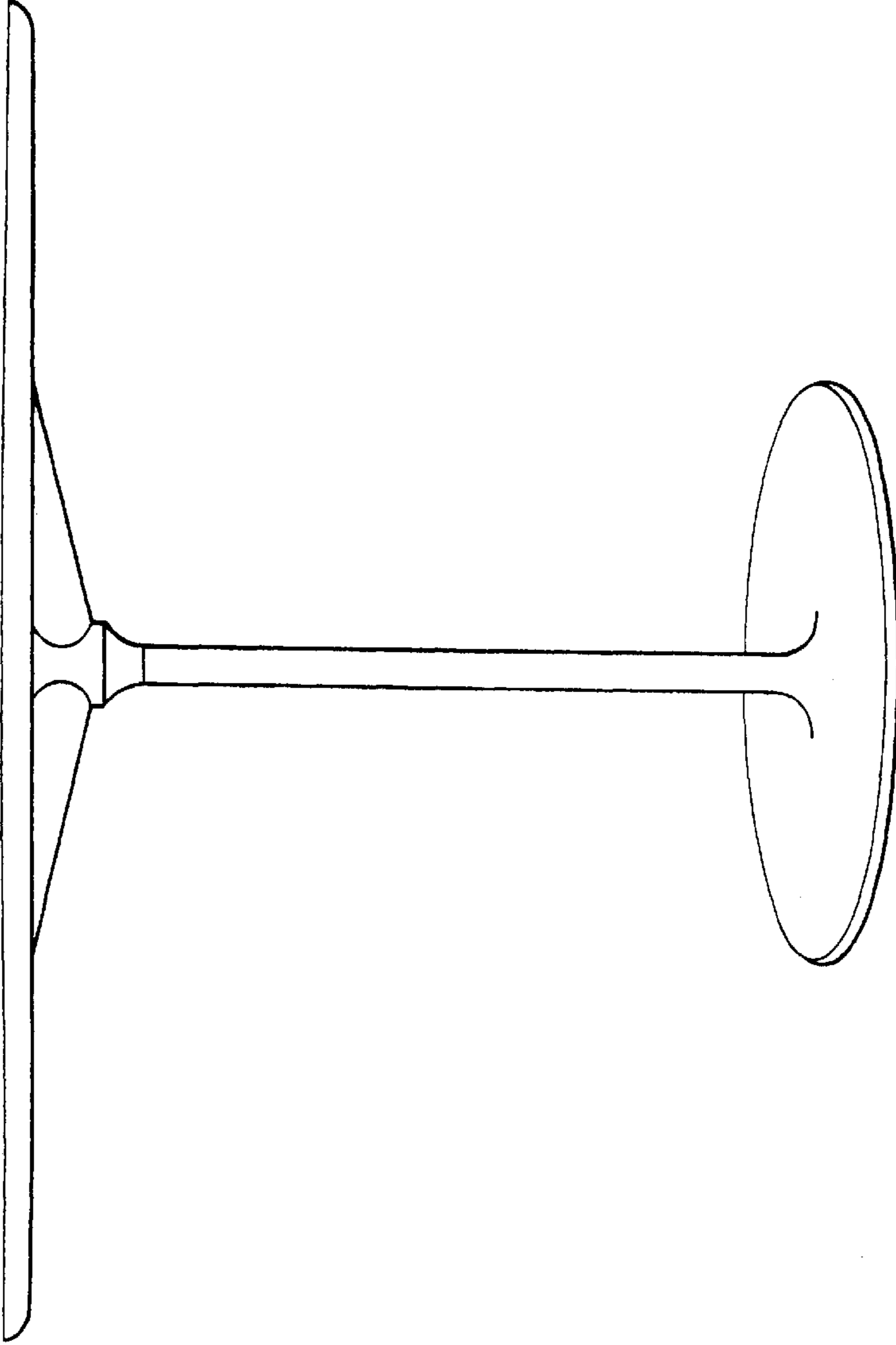


Fig. 11

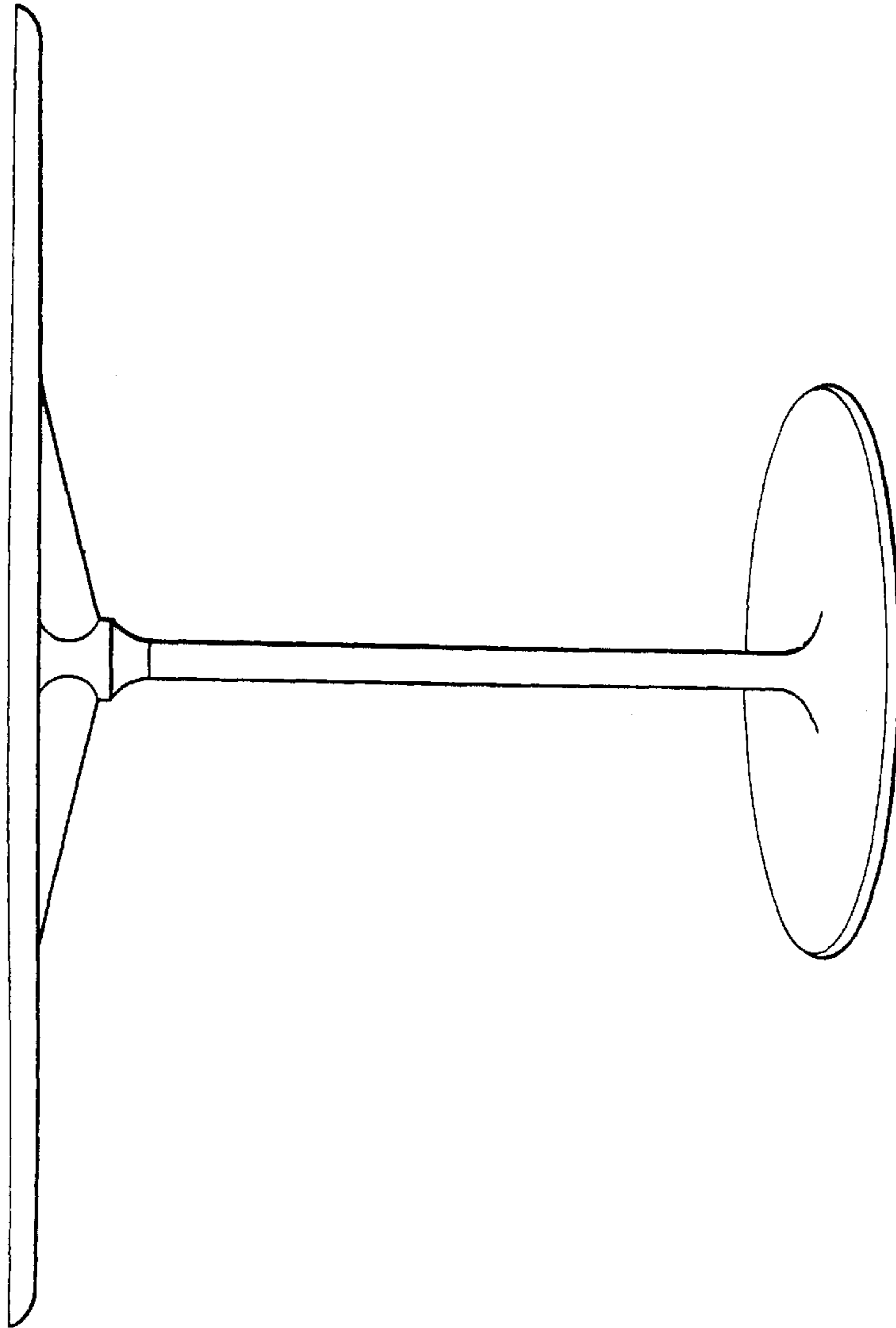


Fig. 12

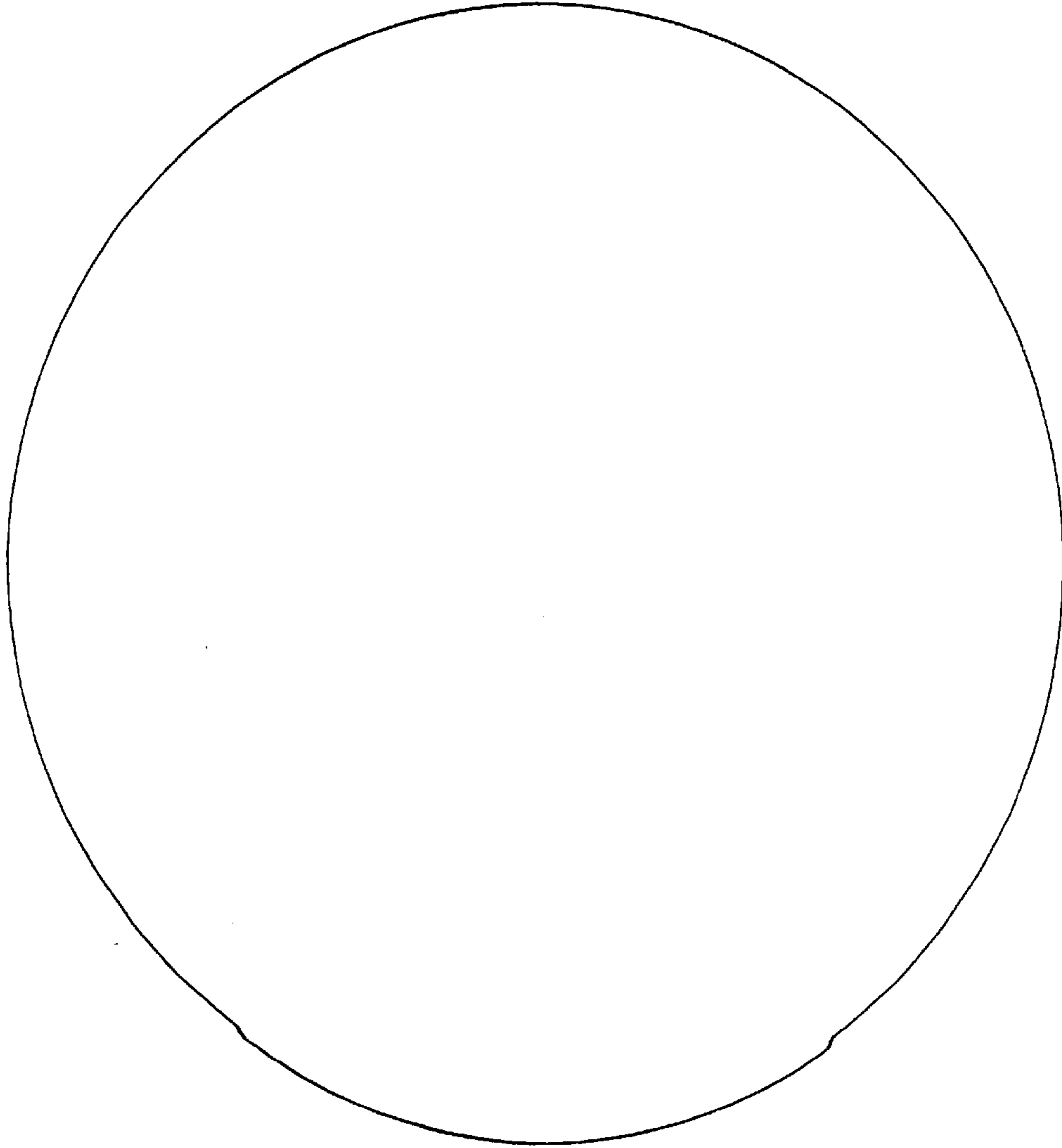


FIG. 13

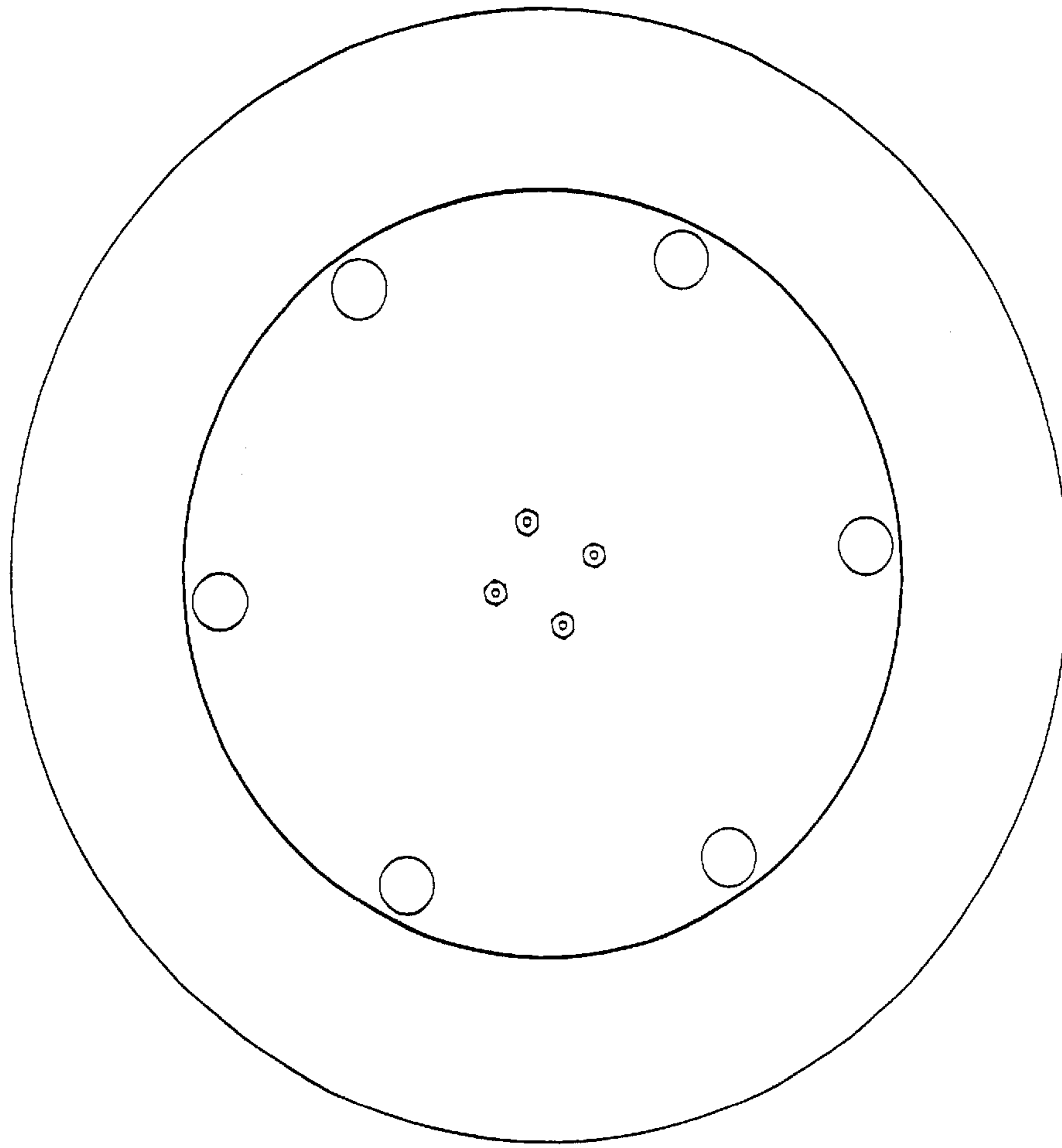


Fig. 14