

US00D543731S

(12) **United States Design Patent**  
**Colegrove**

(10) **Patent No.:** **US D543,731 S**

(45) **Date of Patent:** **\*\* Jun. 5, 2007**

(54) **THREE-SIDED TABLE**

(76) **Inventor:** **Garland Colegrove**, 4023 Heart St.,  
Ashland, KY (US) 41101

(\*\*) **Term:** **14 Years**

(21) **Appl. No.:** **29/245,515**

(22) **Filed:** **Dec. 23, 2005**

(51) **LOC (8) Cl.** ..... **06-03**

(52) **U.S. Cl.** ..... **D6/484; D6/489**

(58) **Field of Classification Search** ..... D6/480-489,  
D6/495-499, 511, 429-431; 108/150, 155,  
108/153.1, 156, 157.1, 161; 248/188, 188.1,  
248/188.8

See application file for complete search history.

(56) **References Cited**

**U.S. PATENT DOCUMENTS**

D150,340 S \* 7/1948 Cunningham ..... D6/480  
D237,336 S \* 10/1975 Loscalzo ..... D6/484

D300,396 S \* 3/1989 Kelley et al. .... D6/489  
D389,347 S \* 1/1998 Muller ..... D6/484  
D449,471 S \* 10/2001 Petersen ..... D6/495  
D472,404 S \* 4/2003 Mavis ..... D6/484

\* cited by examiner

*Primary Examiner*—Janice E. Seeger

(74) *Attorney, Agent, or Firm*—Jeffrey Weiss; Weiss & Moy,  
P.C.

(57) **CLAIM**

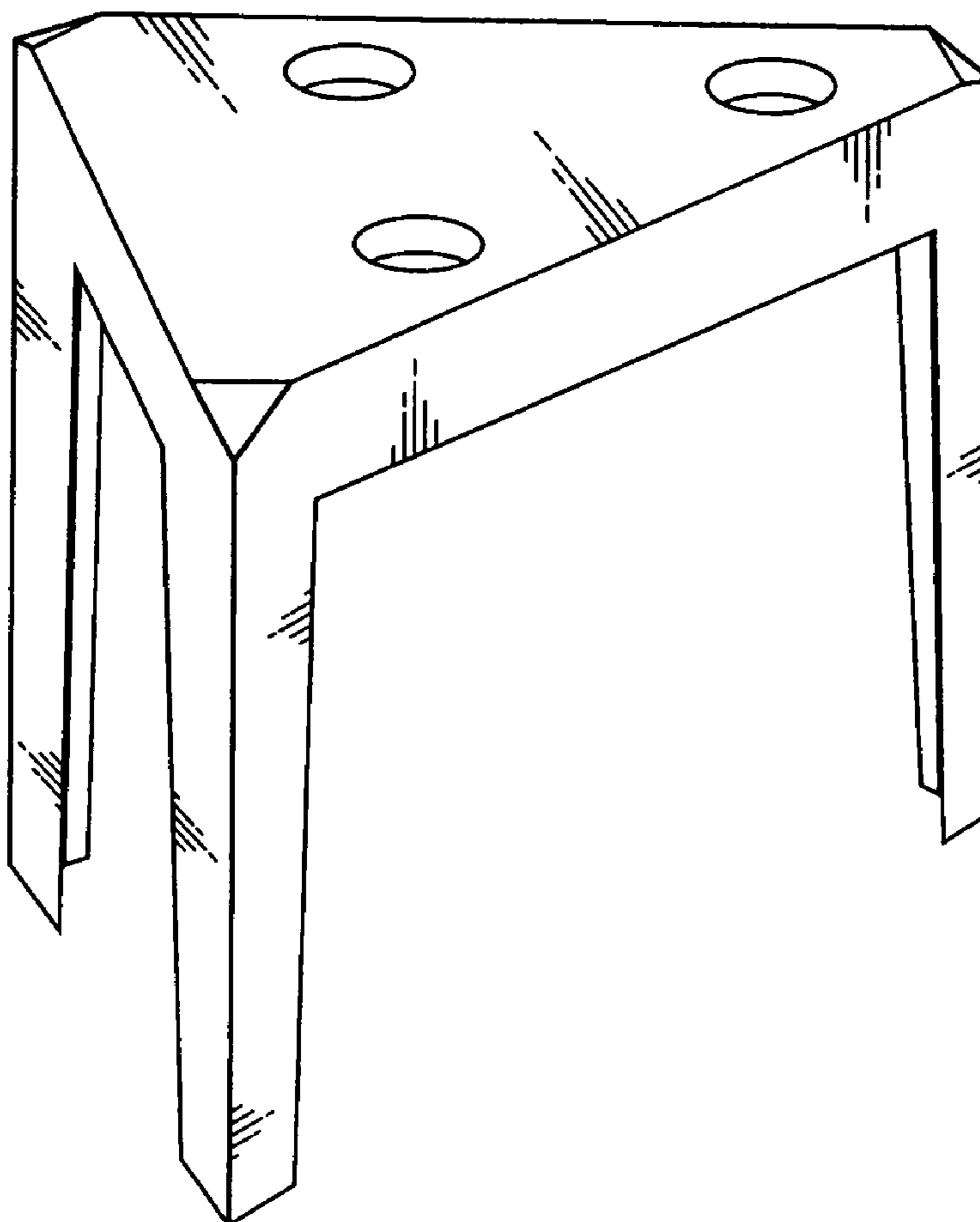
The ornamental design for a three-sided table, as shown and  
described.

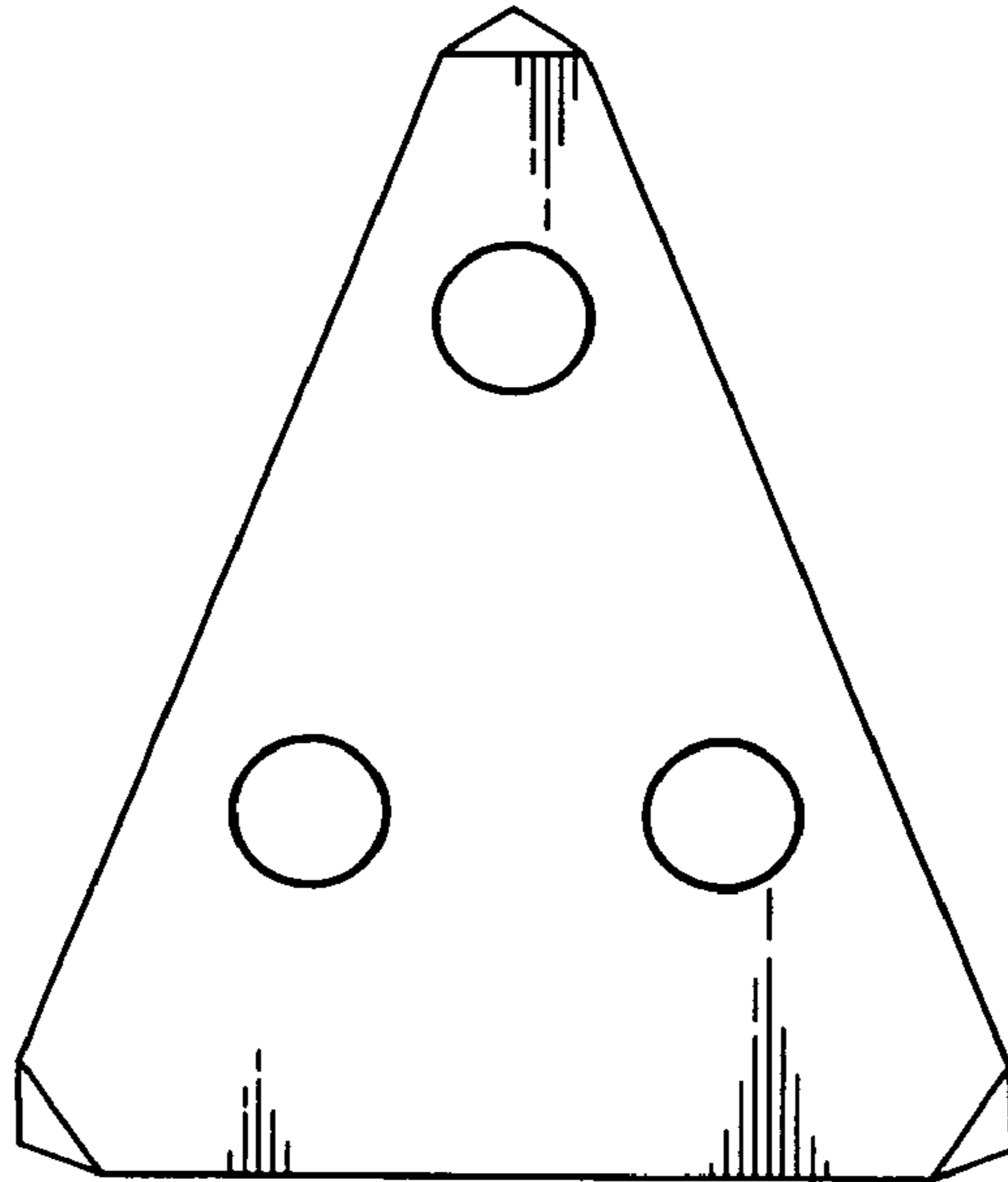
**DESCRIPTION**

FIG. 1 is a top view of the table embodying my new design;  
and,

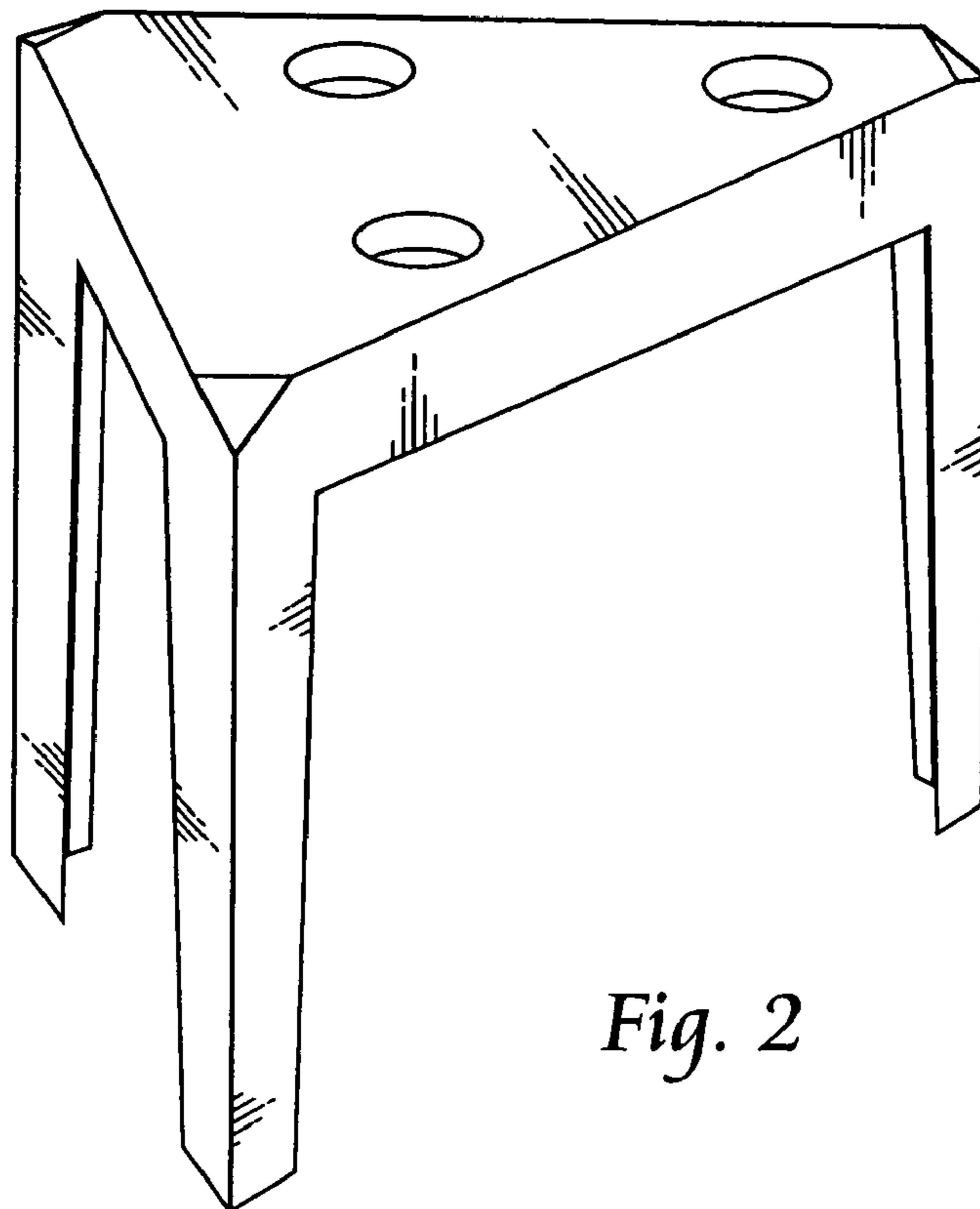
FIG. 2 is an upper perspective view of the table shown in  
FIG. 1.

**1 Claim, 1 Drawing Sheet**





*Fig. 1*



*Fig. 2*