



US00D543727S

(12) **United States Design Patent**
Thaler

(10) **Patent No.:** **US D543,727 S**

(45) **Date of Patent:** **** Jun. 5, 2007**

(54) **SHOE DRYING RACK**

(75) Inventor: **Hermann Thaler**, Schruns (AT)

(73) Assignee: **CSA Michael Furtner**, Schruns (AT)

(**) Term: **14 Years**

(21) Appl. No.: **29/214,741**

(22) Filed: **Oct. 8, 2004**

(30) **Foreign Application Priority Data**

Apr. 8, 2004 (EP) 000164140

(51) **LOC (8) Cl.** **06-04**

(52) **U.S. Cl.** **D6/468**; D6/468

(58) **Field of Classification Search** D6/320,
D6/410, 411, 449, 455-457, 460-466, 468,
D6/473; 211/13.1, 34, 36-38, 125
See application file for complete search history.

(56) **References Cited**

U.S. PATENT DOCUMENTS

764,343 A * 7/1904 Bowen 211/34
1,374,592 A * 4/1921 Locke 211/34
D138,503 S * 8/1944 Churchill D6/473
D260,466 S * 9/1981 Butcher et al. D6/410
D305,187 S * 12/1989 Kaufman, Jr. D6/465

D407,908 S * 4/1999 Dickinson et al. D6/320
D494,777 S * 8/2004 Walk D6/465
2005/0230332 A1 * 10/2005 Taylor et al. 211/34

* cited by examiner

Primary Examiner—Ian Simmons

Assistant Examiner—Mary Ann Calabrese

(74) *Attorney, Agent, or Firm*—Dykema Gossett

(57) **CLAIM**

The ornamental design for a shoe drying rack, as shown and described.

DESCRIPTION

FIG. 1 is a left front perspective view of a shoe drying rack showing my new design,

FIG. 2 is a left rear perspective view thereof,

FIG. 3 is an enlarged scale left top front perspective view thereof,

FIG. 4 is a right top front perspective view thereof,

FIG. 5 is a further enlarged scale front elevational view thereof,

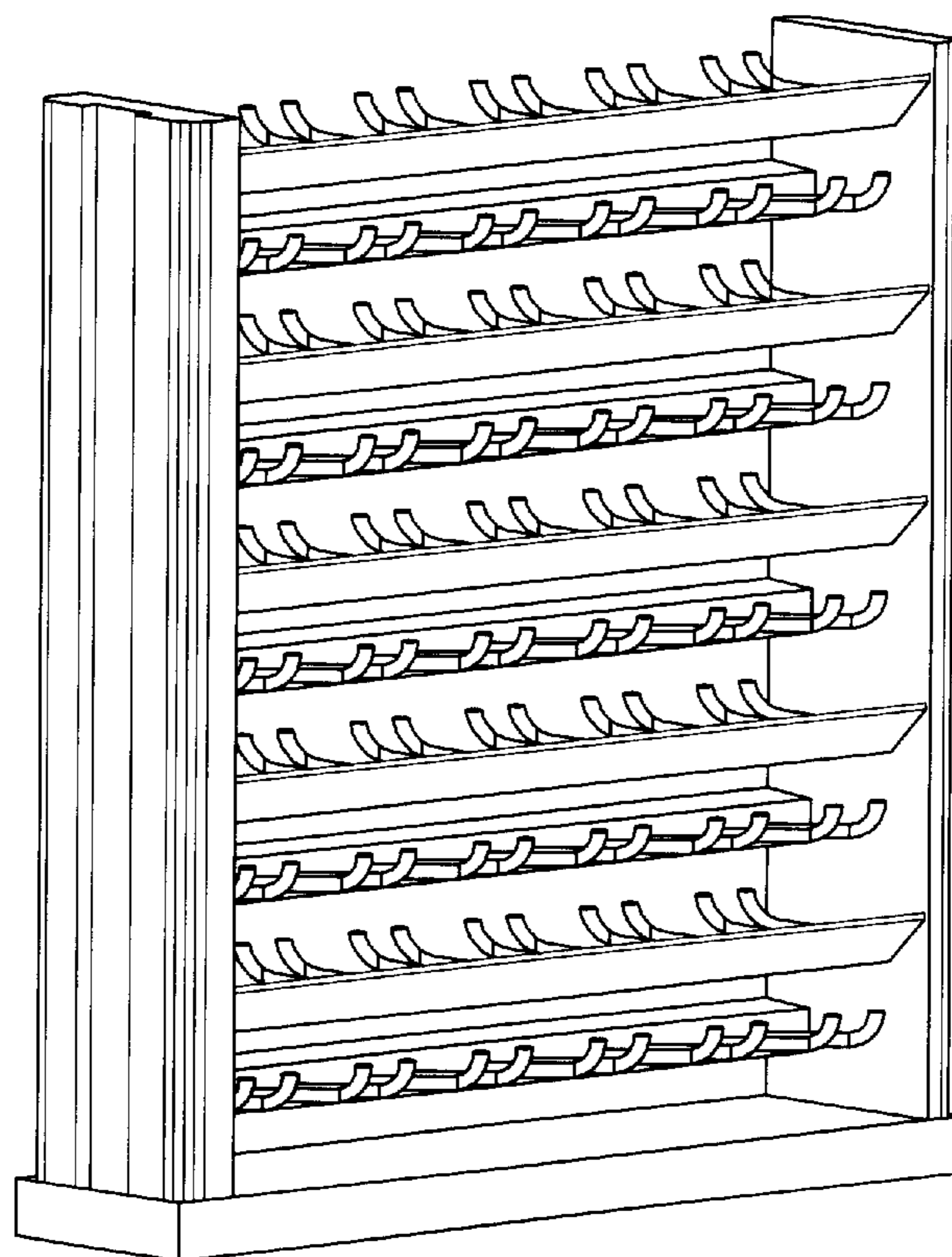
FIG. 6 is a top plan view thereof,

FIG. 7 is a left side elevational view thereof,

FIG. 8 is a right side elevational view thereof; and,

FIG. 9 is a cross-sectional view thereof, taken from FIG. 7 as seen from rear to front.

1 Claim, 9 Drawing Sheets



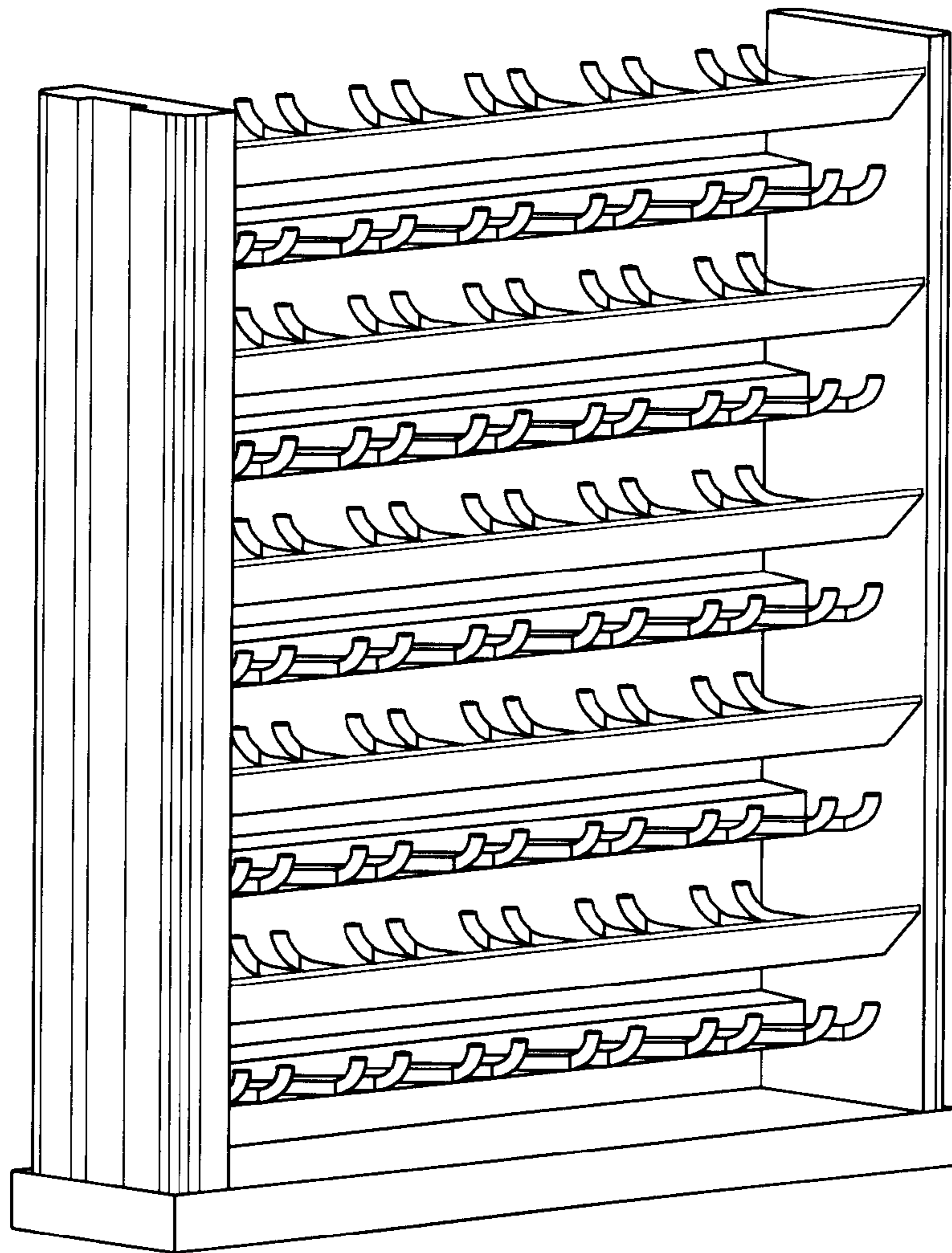


FIG. 1

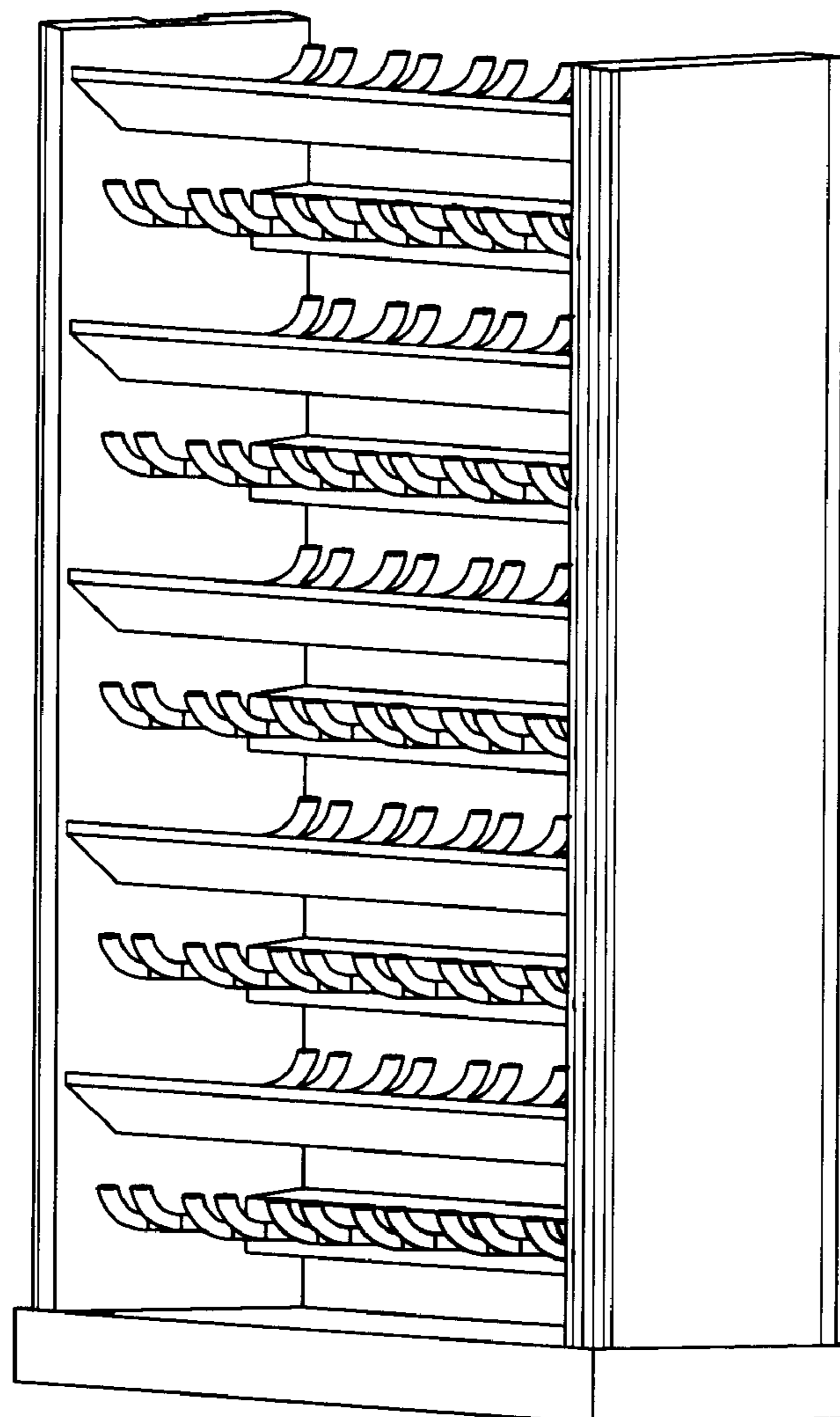


FIG. 2

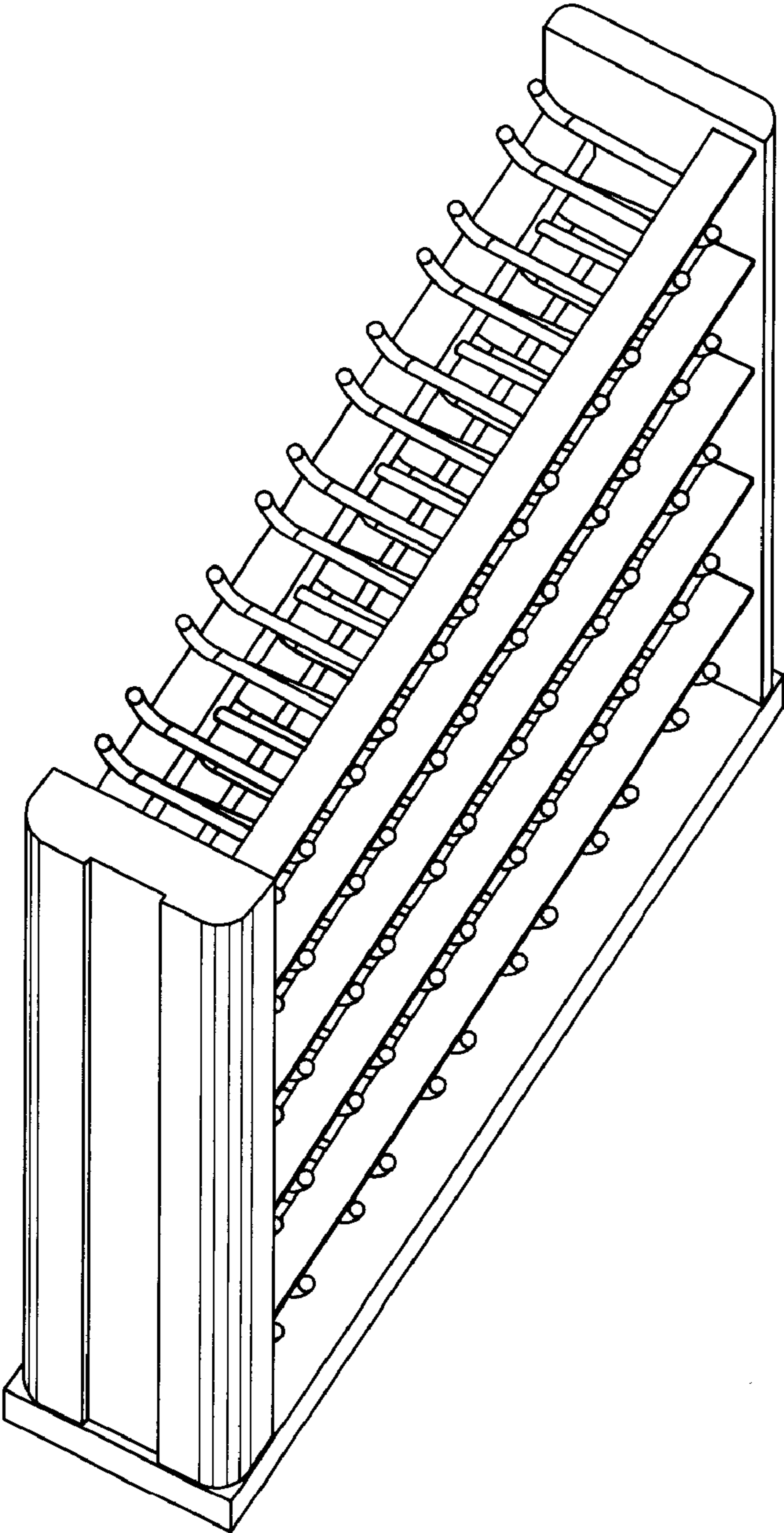


FIG. 3

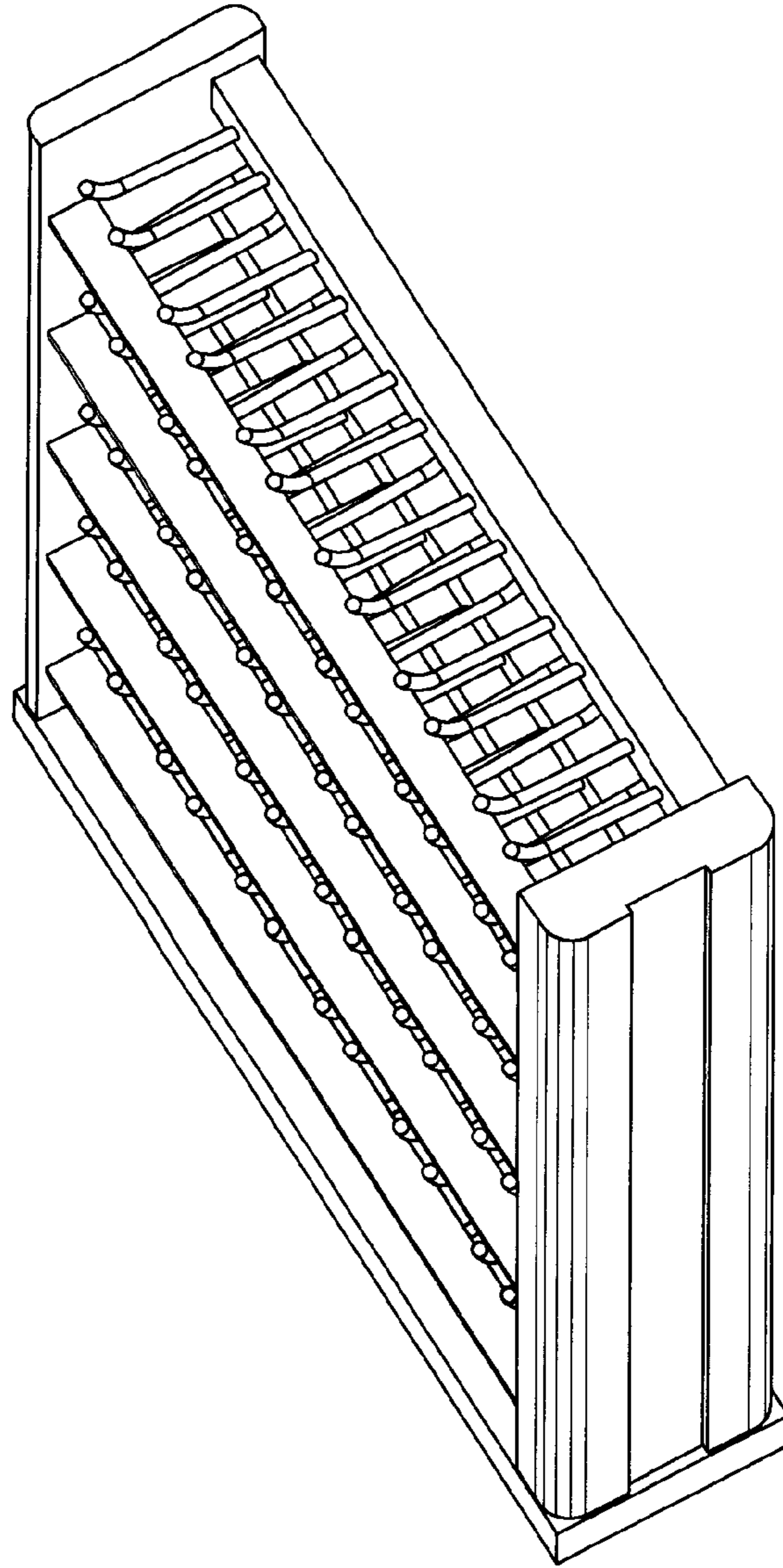


FIG. 4

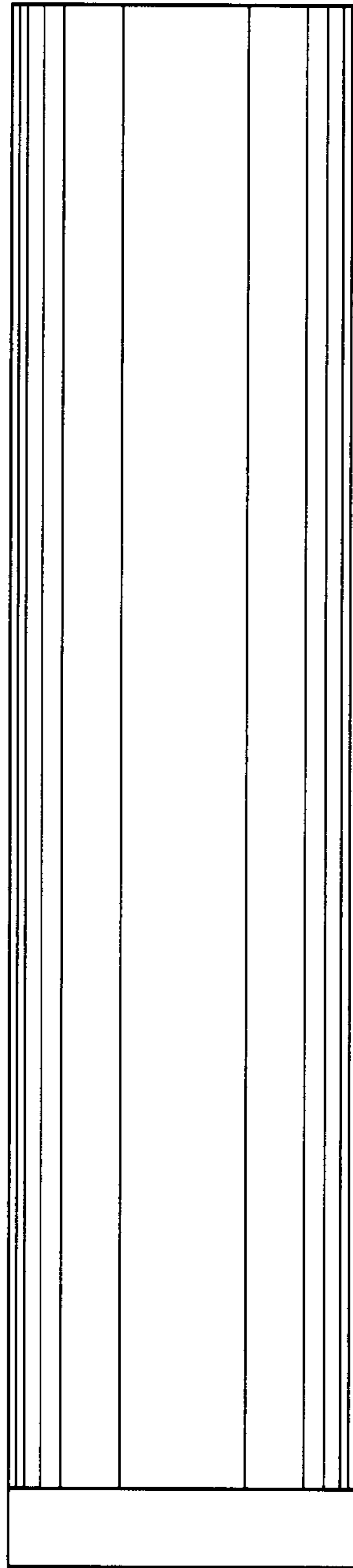


FIG. 5

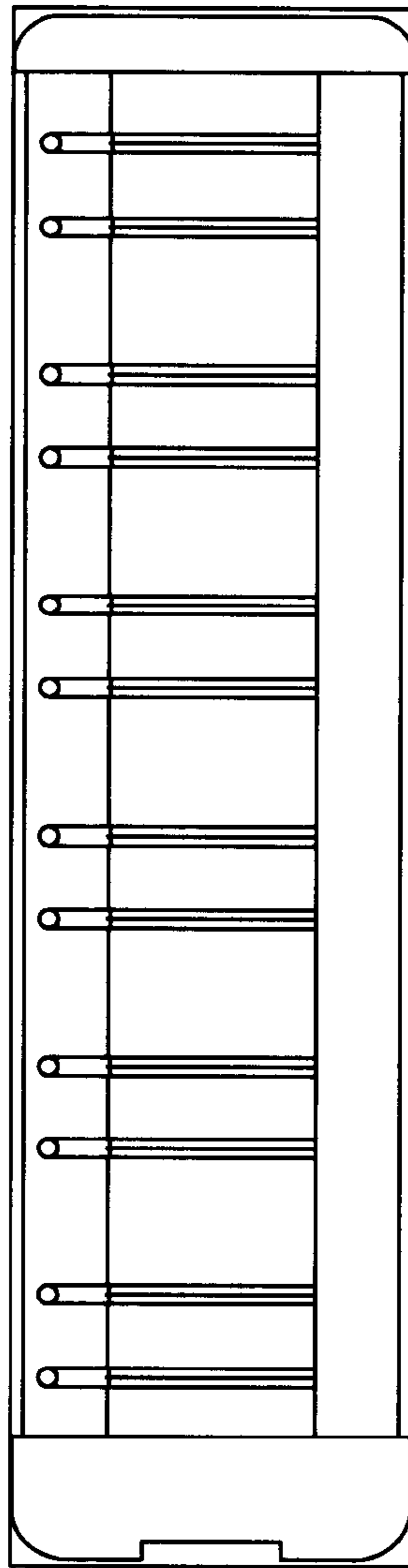


FIG. 6

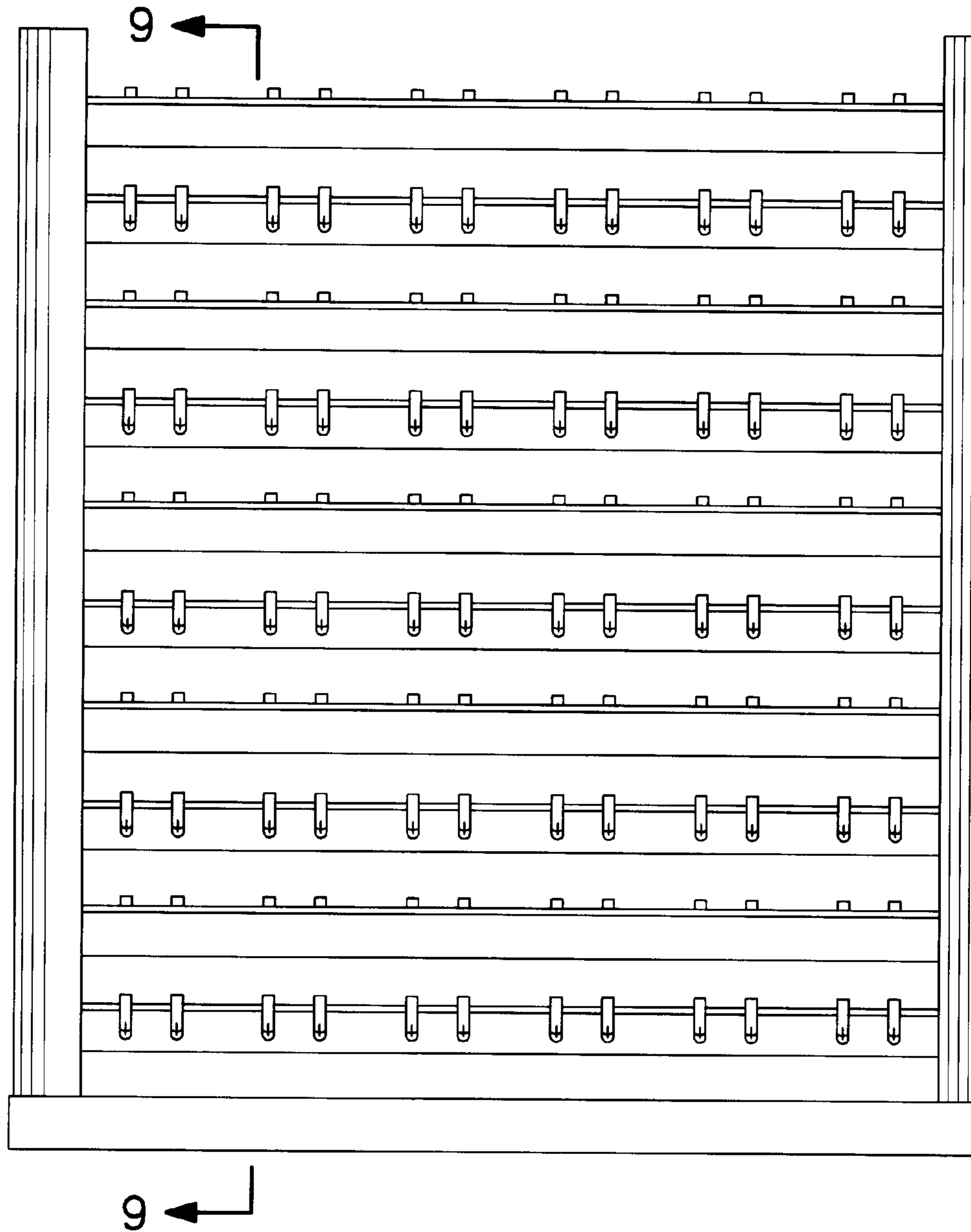


FIG. 7

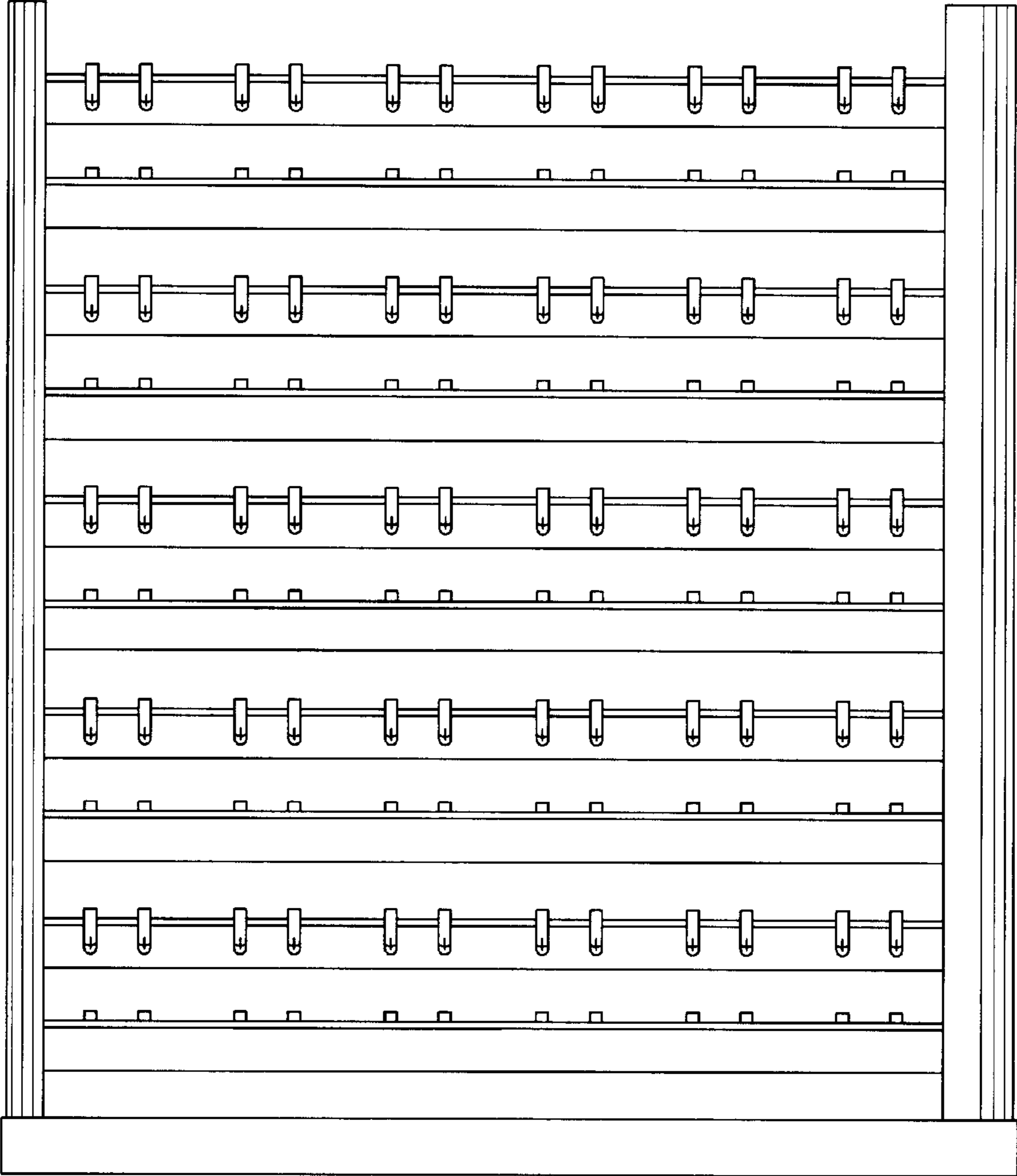


FIG. 8

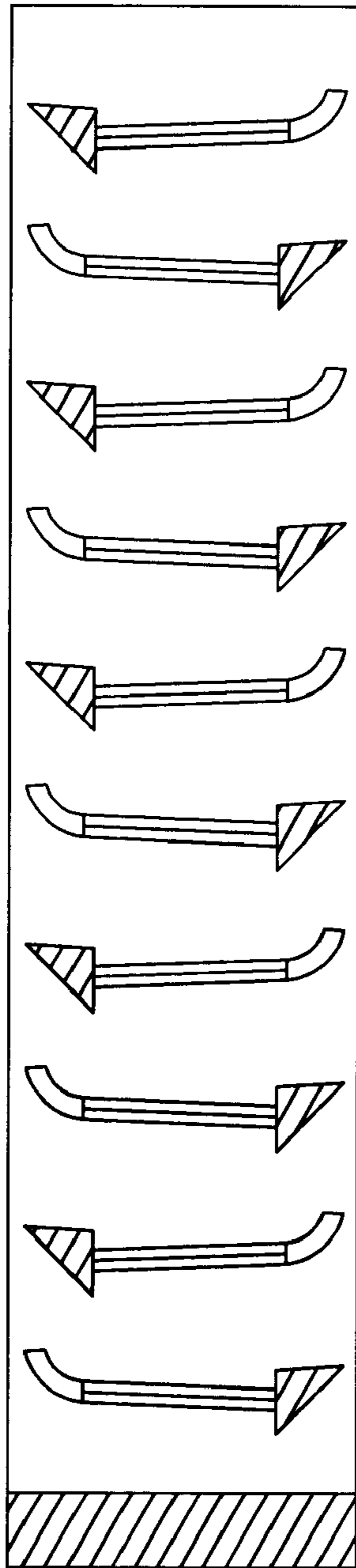


FIG. 9