



US00D543726S

(12) **United States Design Patent**  
**Andriolo**

(10) **Patent No.:** **US D543,726 S**

(45) **Date of Patent:** **\*\* Jun. 5, 2007**

(54) **TOOL CASE**

D494,775 S \* 8/2004 Birmingham ..... D6/456

(75) Inventor: **Paolo Andriolo**, Suzhou (CN)

\* cited by examiner

(73) Assignee: **Positec Power Tools (Suzhou) Co., Ltd.** (CN)

*Primary Examiner*—Brian N Vinson

(74) *Attorney, Agent, or Firm*—Factor & Lake

(\*\*) Term: **14 Years**

(57) **CLAIM**

(21) Appl. No.: **29/227,108**

The ornamental design for a tool case, as shown and described.

(22) Filed: **Apr. 6, 2005**

**DESCRIPTION**

(51) **LOC (8) Cl.** ..... **06-04**

FIG. 1 is a perspective view of a tool case showing my new design;

(52) **U.S. Cl.** ..... **D6/456**

FIG. 2 is a right side elevational view thereof;

(58) **Field of Classification Search** ..... D6/456,  
D6/553, 569; D7/707-708; 211/13.1, 70,  
211/77, 86.01, 89.01, 164

FIG. 3 is a left side elevational view thereof;

See application file for complete search history.

FIG. 4 is a bottom plan view thereof;

FIG. 5 is a top plan view thereof;

(56) **References Cited**

FIG. 6 is a front elevational view thereof; and,

**U.S. PATENT DOCUMENTS**

FIG. 7 is a rear elevational view thereof.

2,911,107 A \* 11/1959 Francavillo ..... 211/77

Any broken line showing of environmental structure in FIGS. 1-7 is for illustrative purposes only and forms no part of the claimed design.

2,936,901 A \* 5/1960 Siemantel ..... 211/77

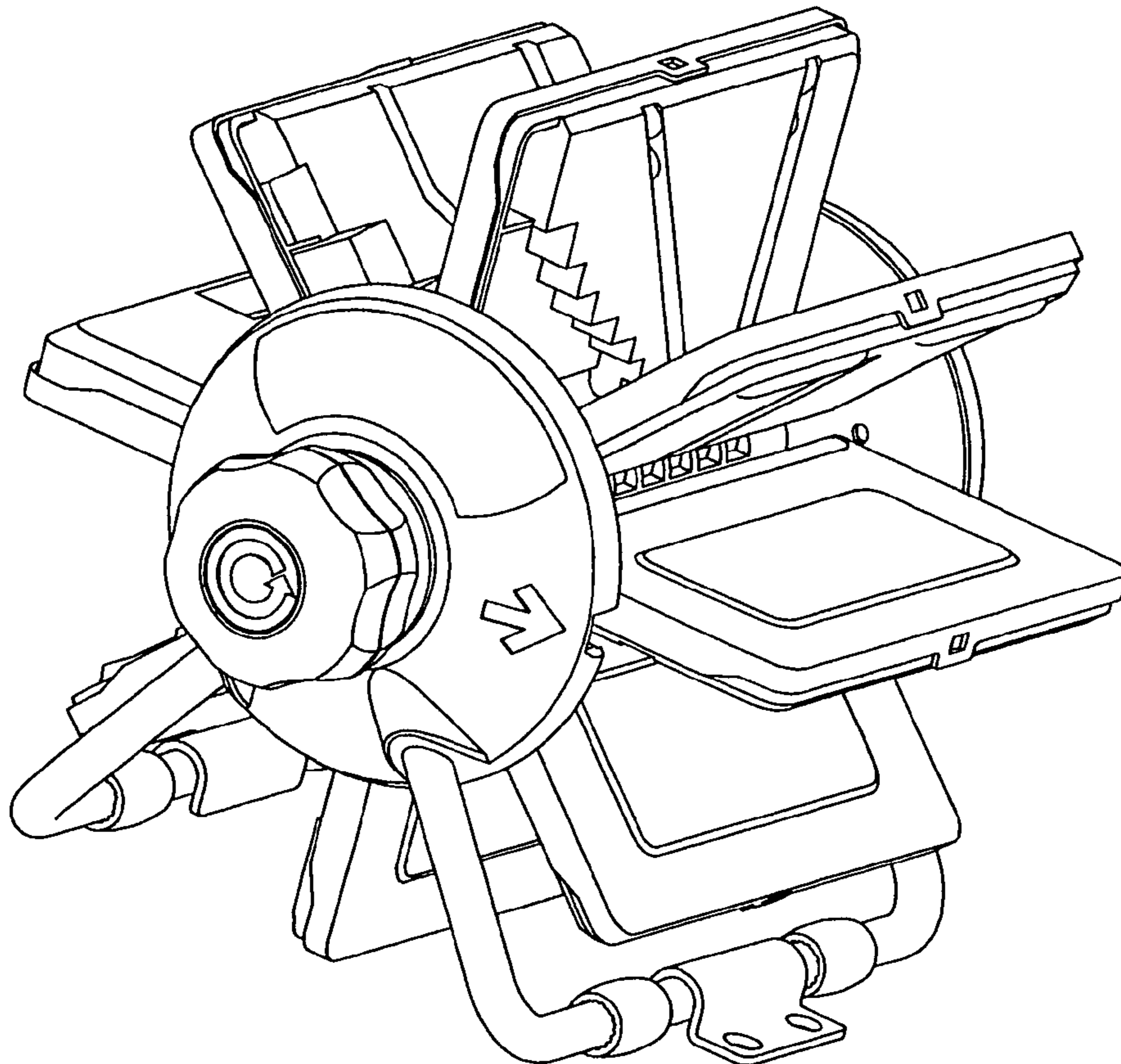
D225,870 S \* 1/1973 Morgison ..... D6/456

D287,441 S \* 12/1986 Sussman ..... D6/456

D291,637 S \* 9/1987 Burin ..... D7/708

D369,710 S \* 5/1996 Picard et al. .... D7/708

**1 Claim, 7 Drawing Sheets**



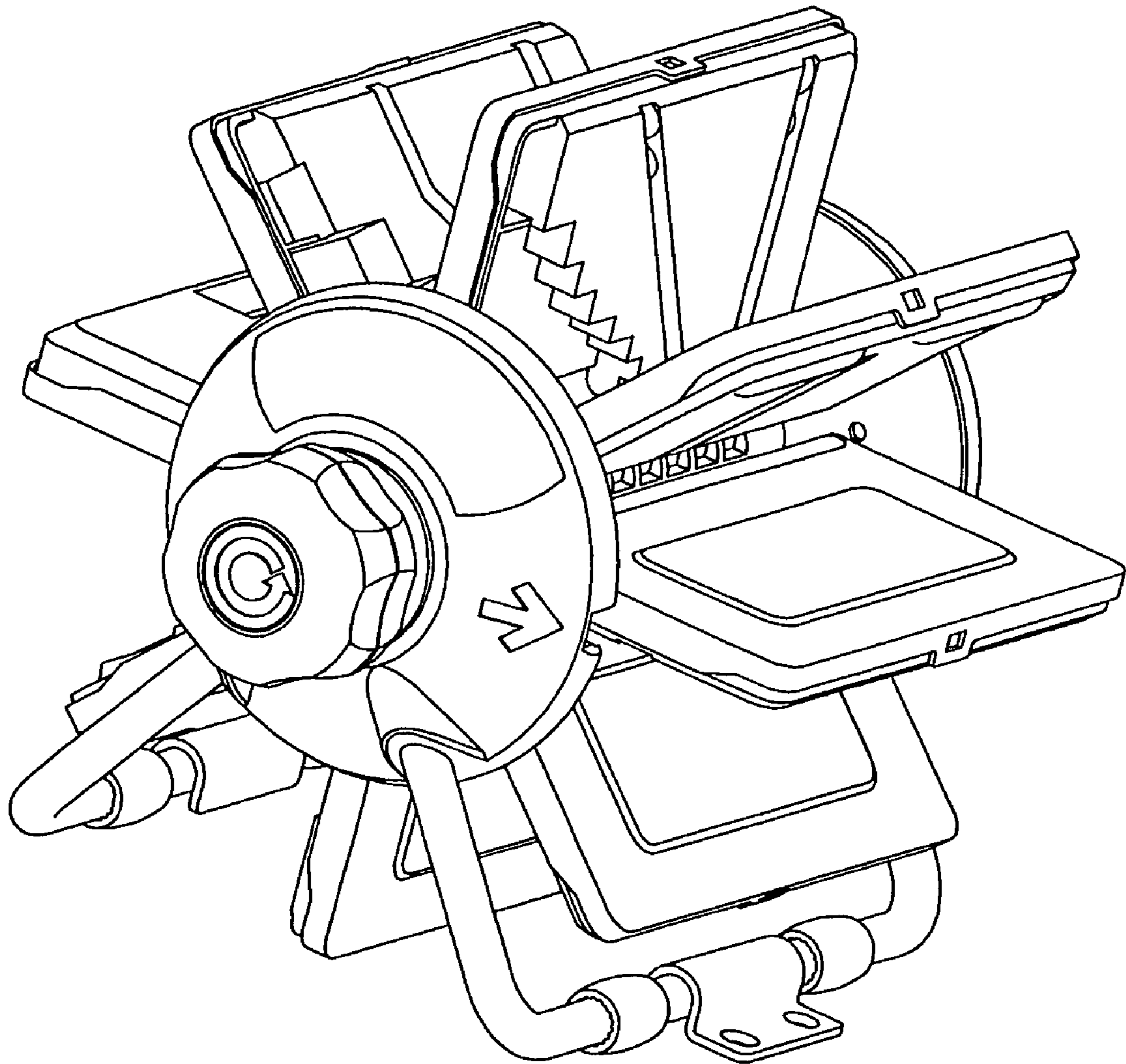


Fig. 1

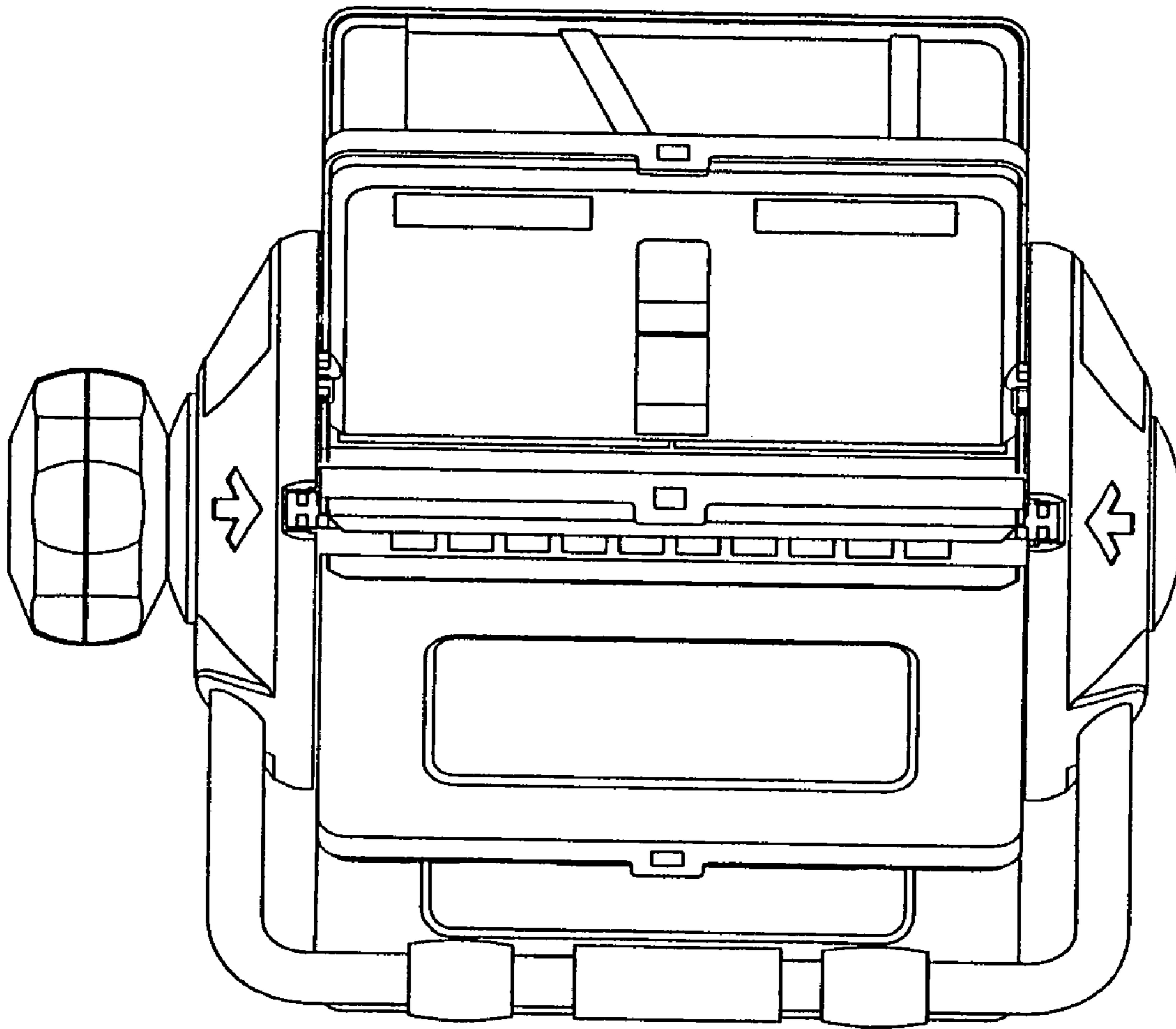


Fig. 2

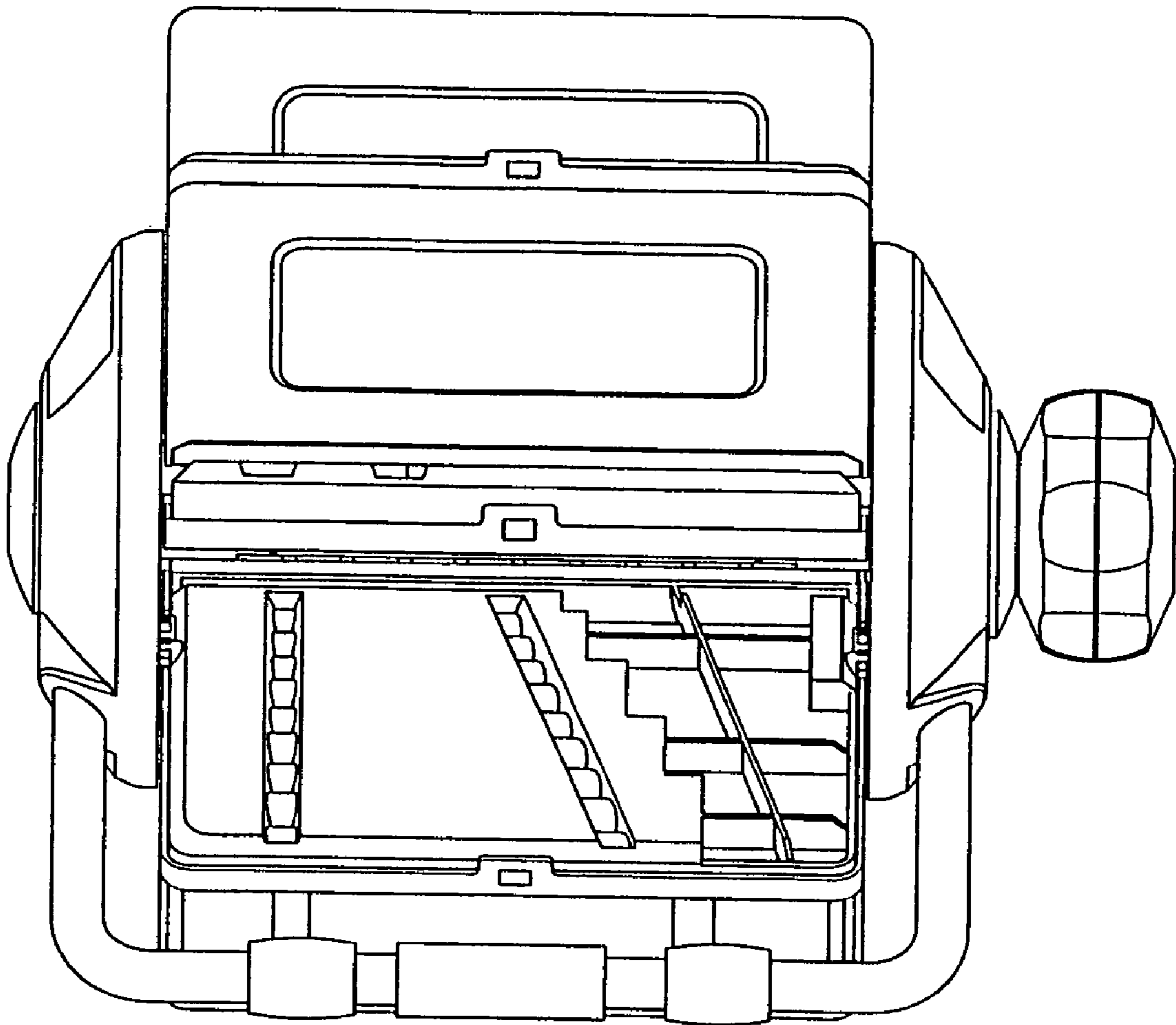


Fig. 3

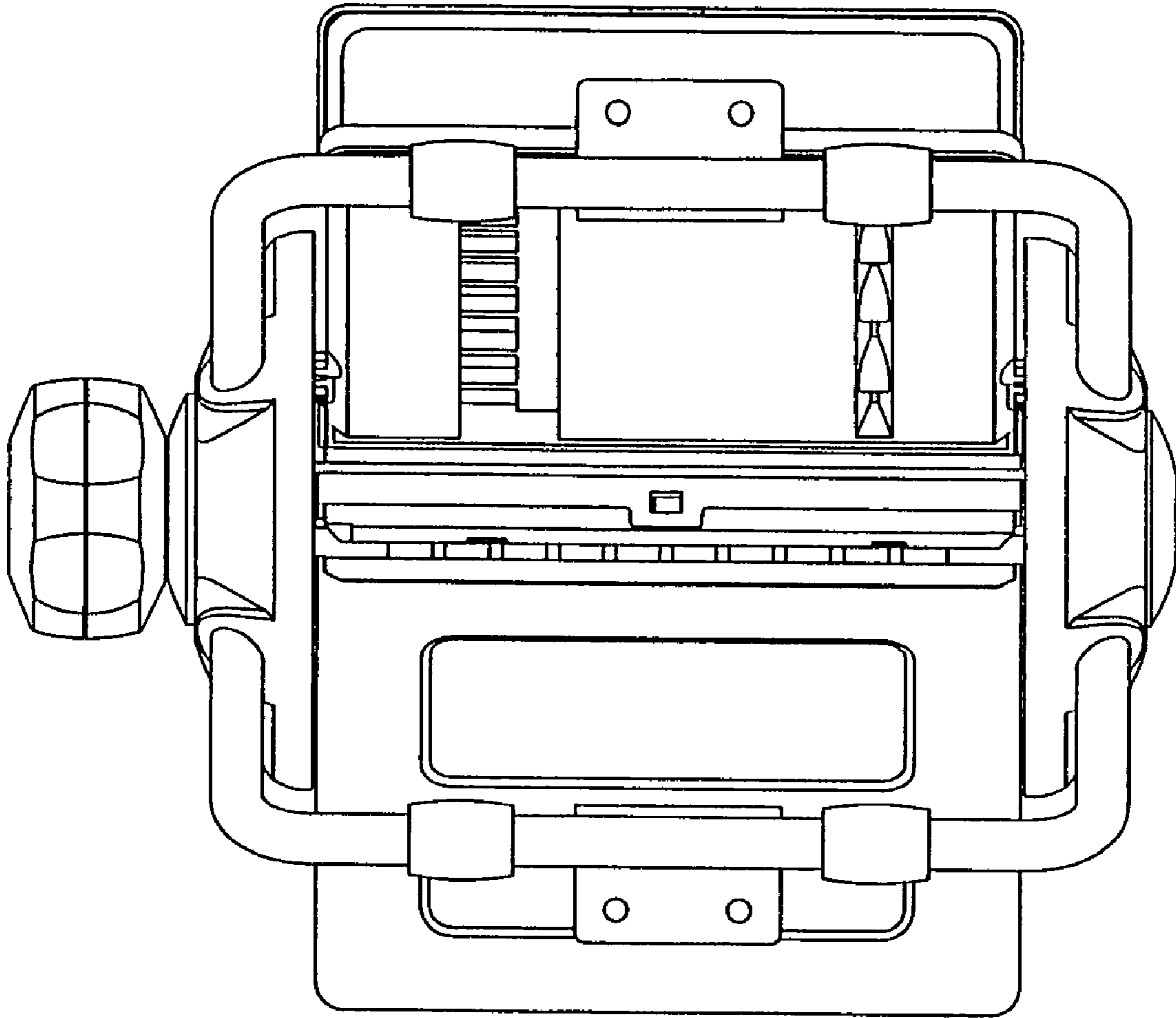


Fig. 4

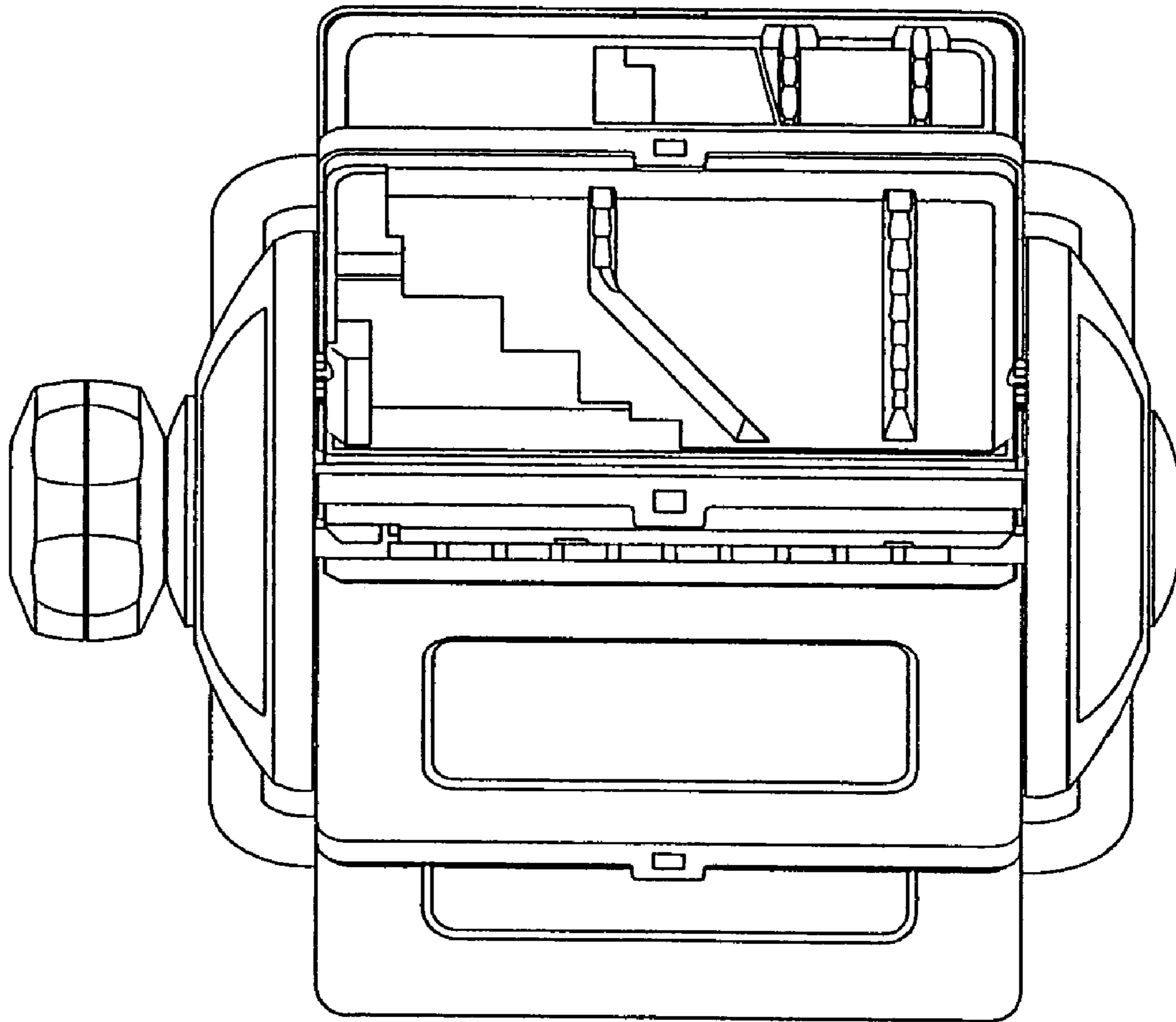


Fig. 5

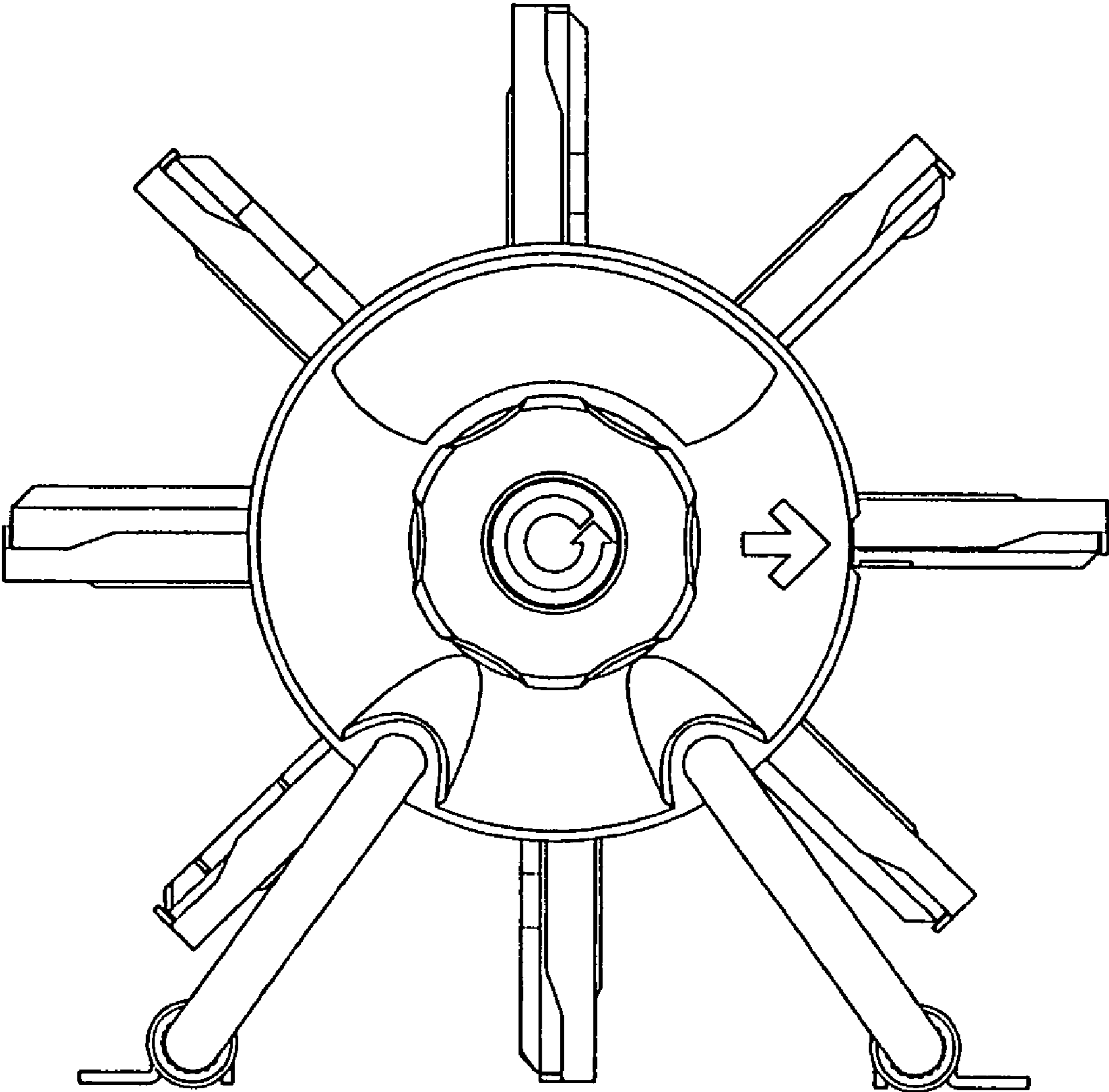


Fig. 6

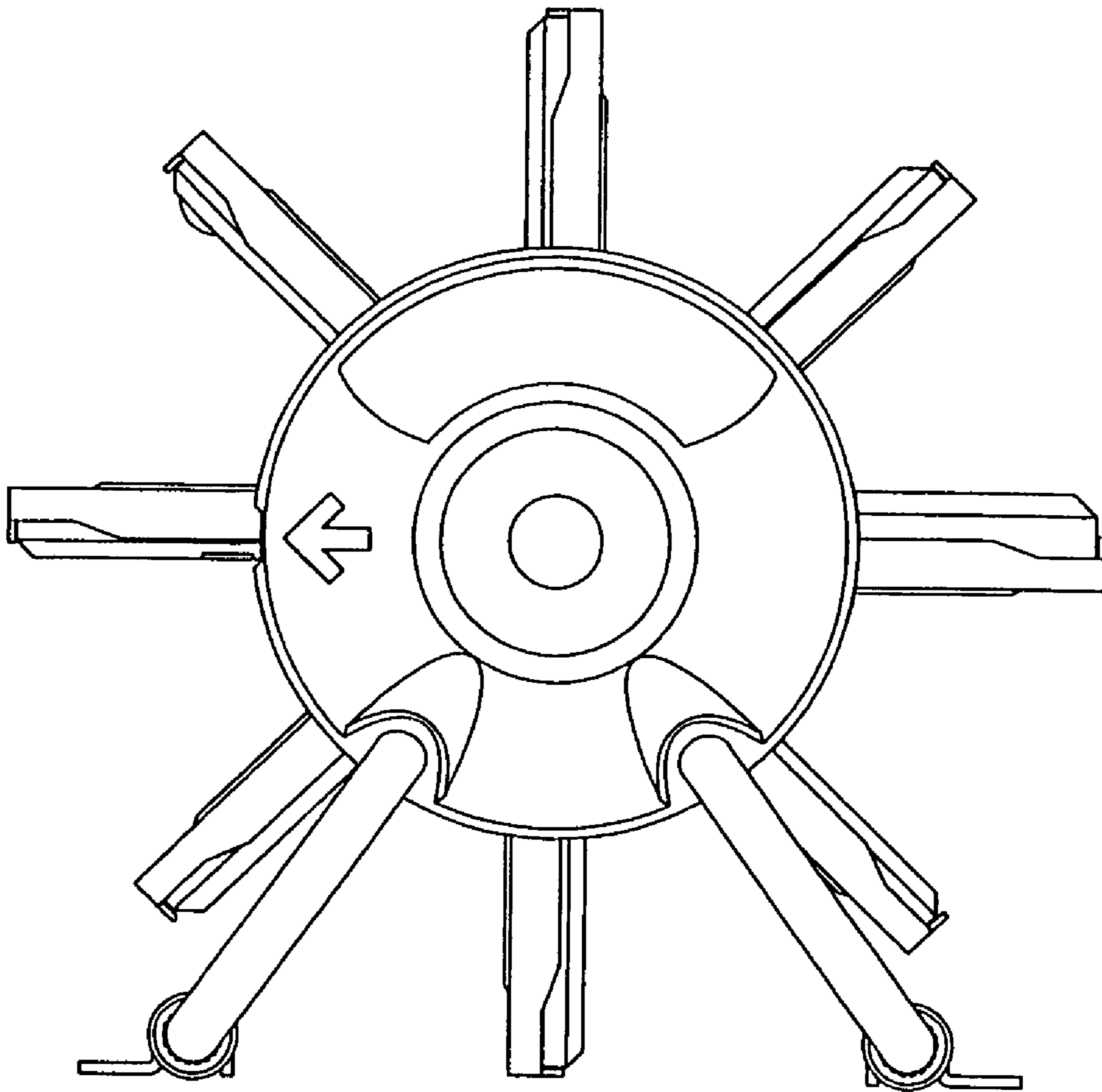


Fig. 7