

US00D543724S

(12) **United States Design Patent**
Baade

(10) **Patent No.:** **US D543,724 S**

(45) **Date of Patent:** **** Jun. 5, 2007**

(54) **VANITY**

(75) Inventor: **Jonell J. Baade**, Milwaukee, WI (US)

(73) Assignee: **Kohler Co.**, Kohler, WI (US)

(**) Term: **14 Years**

(21) Appl. No.: **29/265,053**

(22) Filed: **Aug. 24, 2006**

Related U.S. Application Data

(62) Division of application No. 29/245,360, filed on Dec. 22, 2005.

(51) **LOC (8) Cl.** **06-04**

(52) **U.S. Cl.** **D6/446; D23/286**

(58) **Field of Classification Search** D6/432-448;
D23/286; 312/204, 209, 228, 228.1
See application file for complete search history.

(56) **References Cited**

U.S. PATENT DOCUMENTS

D385,724 S	*	11/1997	Palka	D6/445
D446,405 S	*	8/2001	Sabo et al.	D6/436
D454,262 S	*	3/2002	Chu et al.	D6/446
D465,943 S	*	11/2002	Prater et al.	D6/446
D500,929 S	*	1/2005	Walker	D6/446

OTHER PUBLICATIONS

Home & Stone website, Empire Industries, Newport Series vanity, "Newport Vanity 24," http://www.homeandstone.com/detail.cfm?Group_ID=704&Product_ID=3073.

Home & Stone website, Empire Industries, Flora Series vanity, "Flora Collection 36," http://www.homeandstone.com/detail.cfm?Group_ID=1273&Product_ID=7969.

Home & Stone website, Empire Industries, Newport Series vanity, "Newport Vanity 30," http://www.homeandstone.com/detail.cfm?Group_ID=1302&Product_ID=8118.

Bucks County vanity, "Pennsylvania wardrobe."

* cited by examiner

Primary Examiner—Cathron C. Brooks

(74) *Attorney, Agent, or Firm*—Quarles & Brady LLP

(57) **CLAIM**

The ornamental design for a vanity, as shown and described.

DESCRIPTION

In a preferred embodiment, the nature of this product is a vanity such as can be used to support a lavatory.

FIG. 1 is a left, top, front perspective view of a vanity embodying my new design;

FIG. 2 is a front elevational view thereof;

FIG. 3 is a left side elevational view thereof, the right side view elevational view thereof being a mirror image of the left side shown;

FIG. 4 is a top plan view thereof;

FIG. 5 is a rear elevational view thereof; and,

FIG. 6 is a bottom plan view thereof.

The broken line representations of wall structure in FIGS. 1, 4 and 6, are for the purpose of illustration only, and form no part of the claimed design.

1 Claim, 4 Drawing Sheets

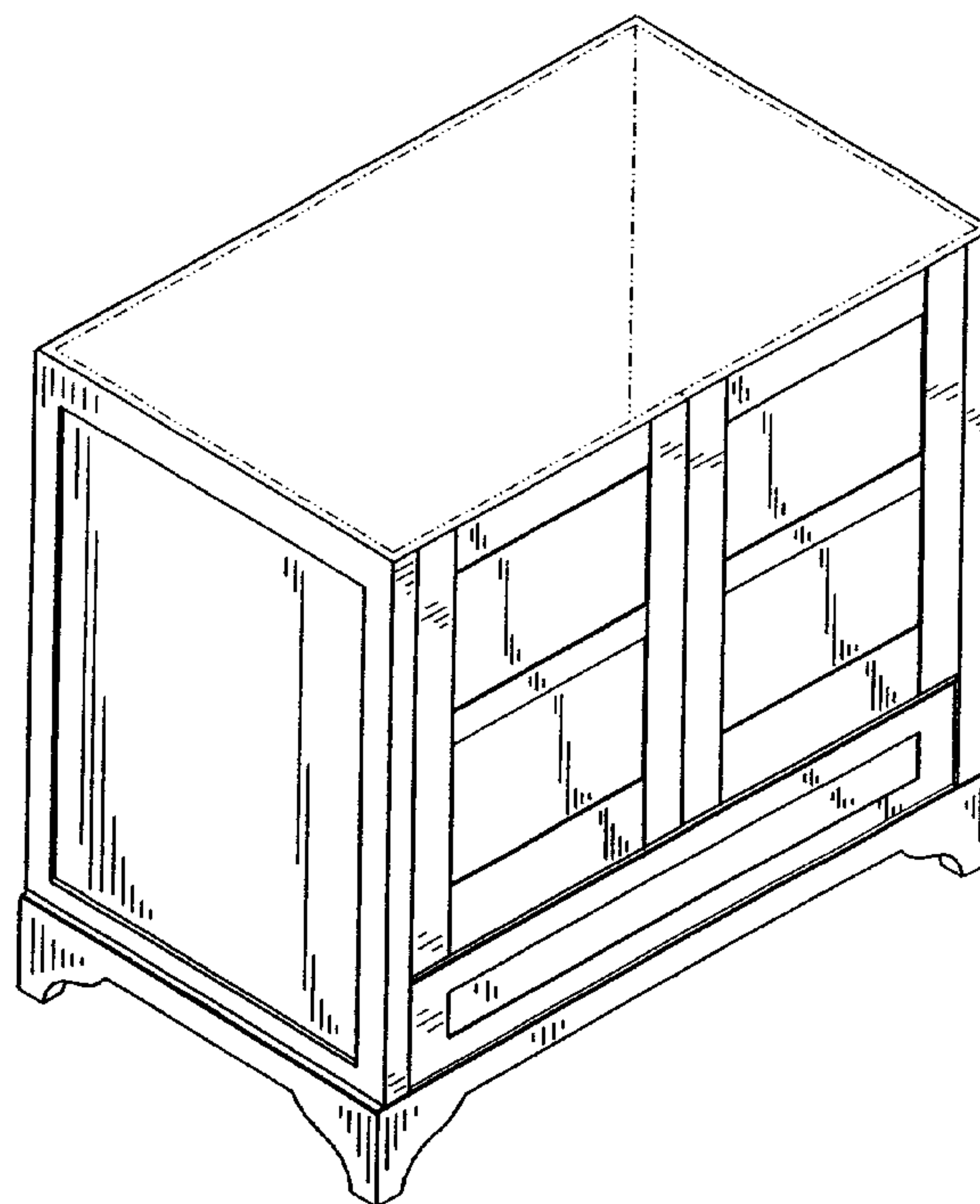


FIG. 1

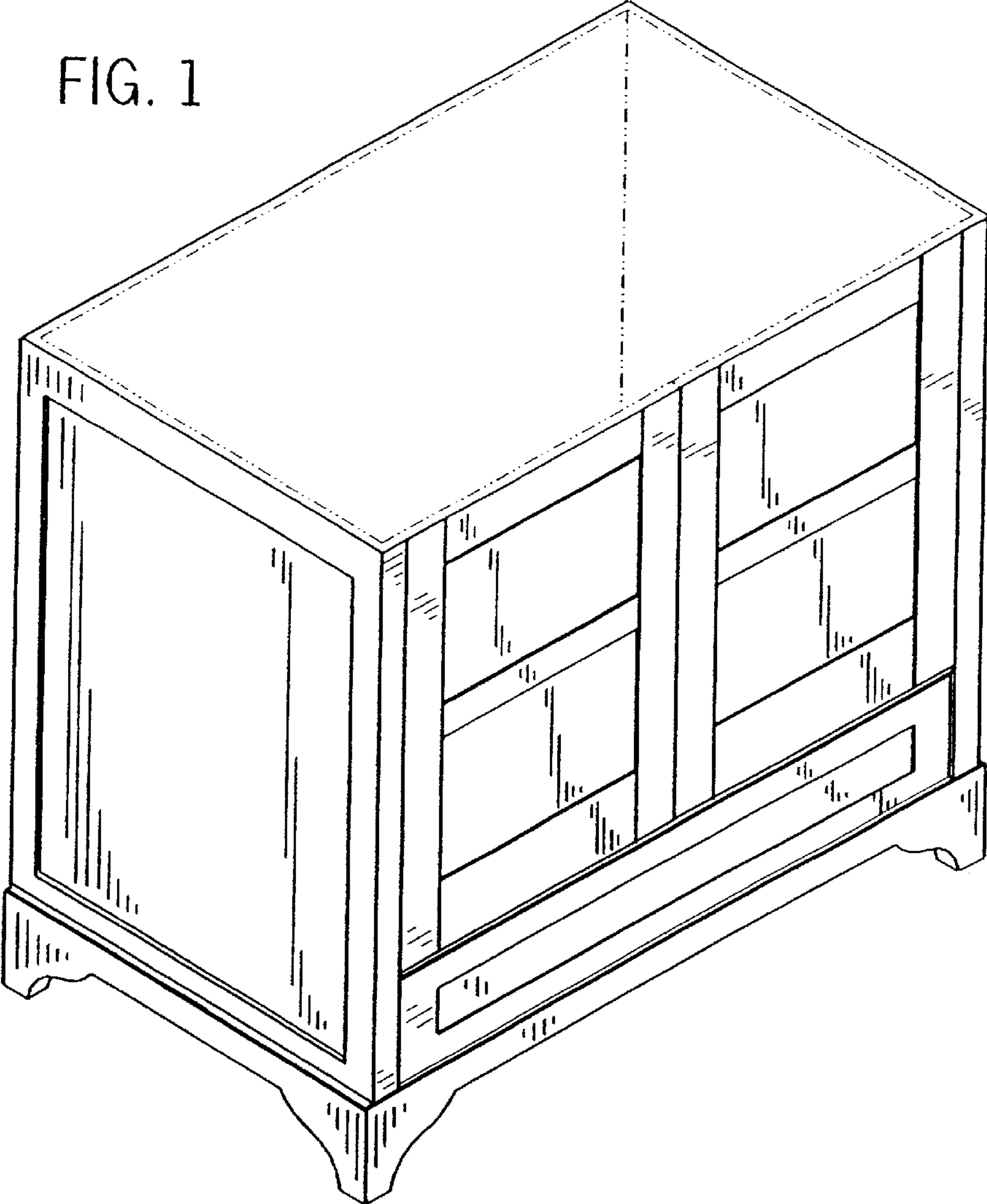


FIG. 2

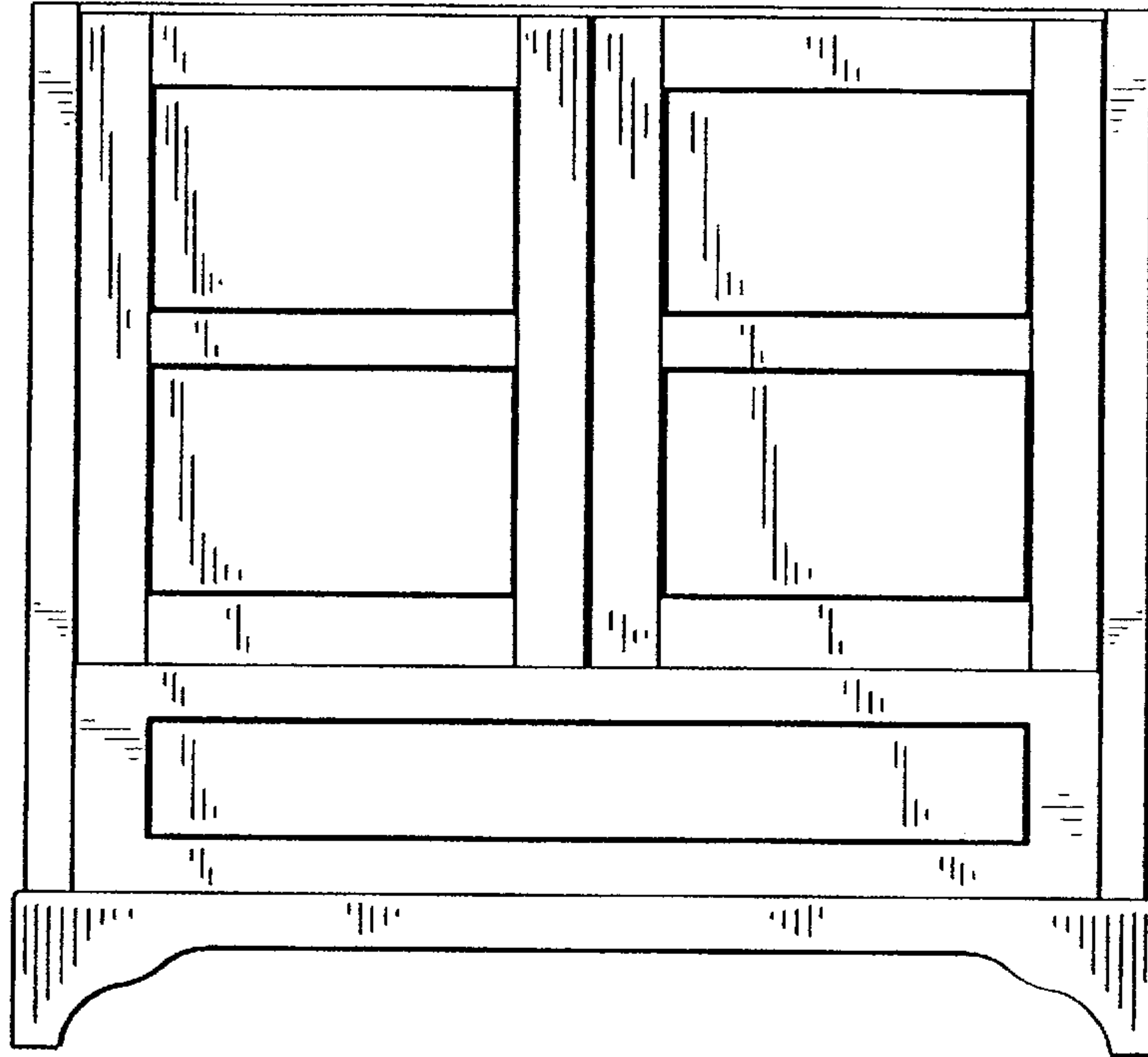


FIG. 3

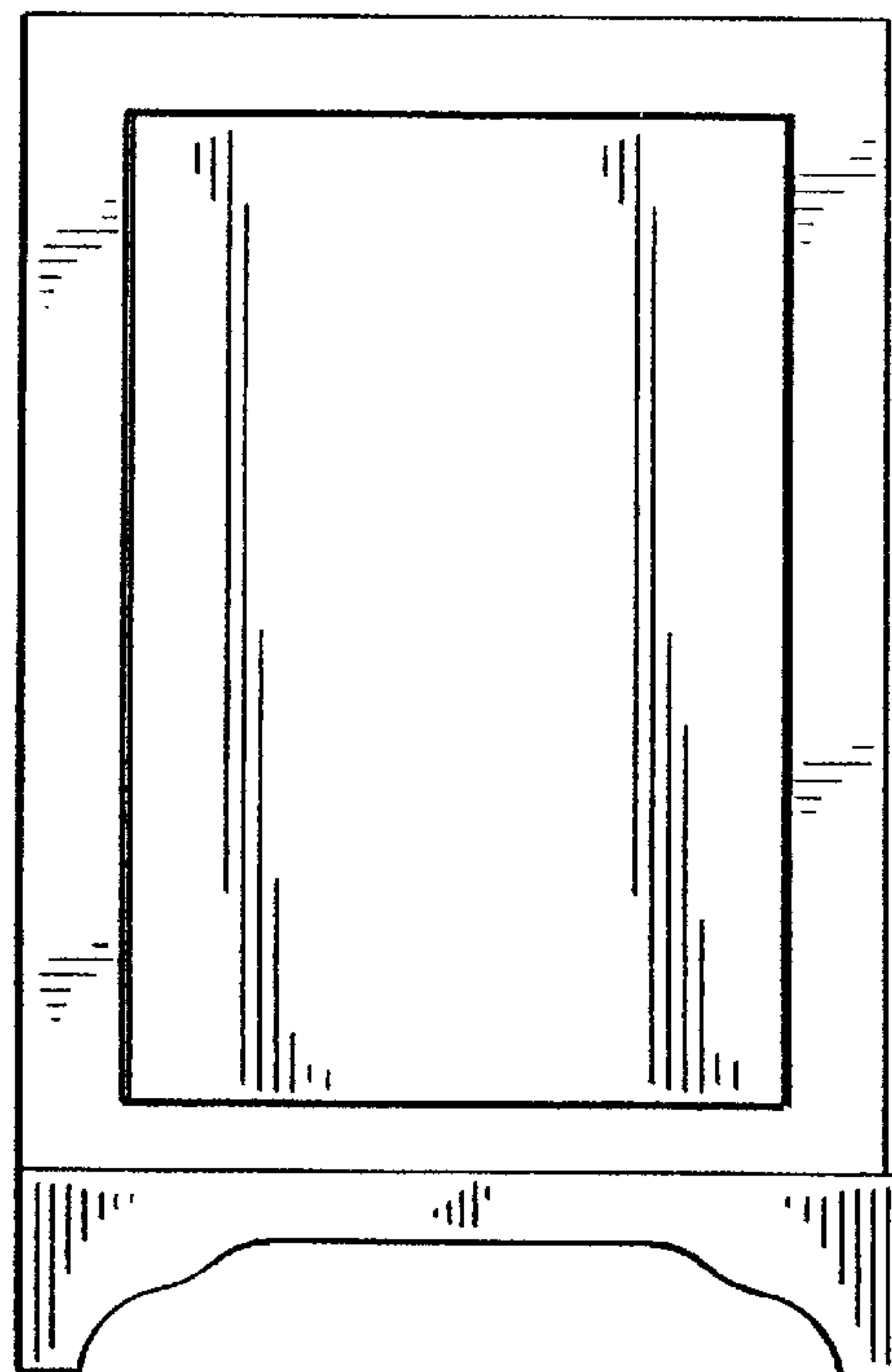


FIG. 4

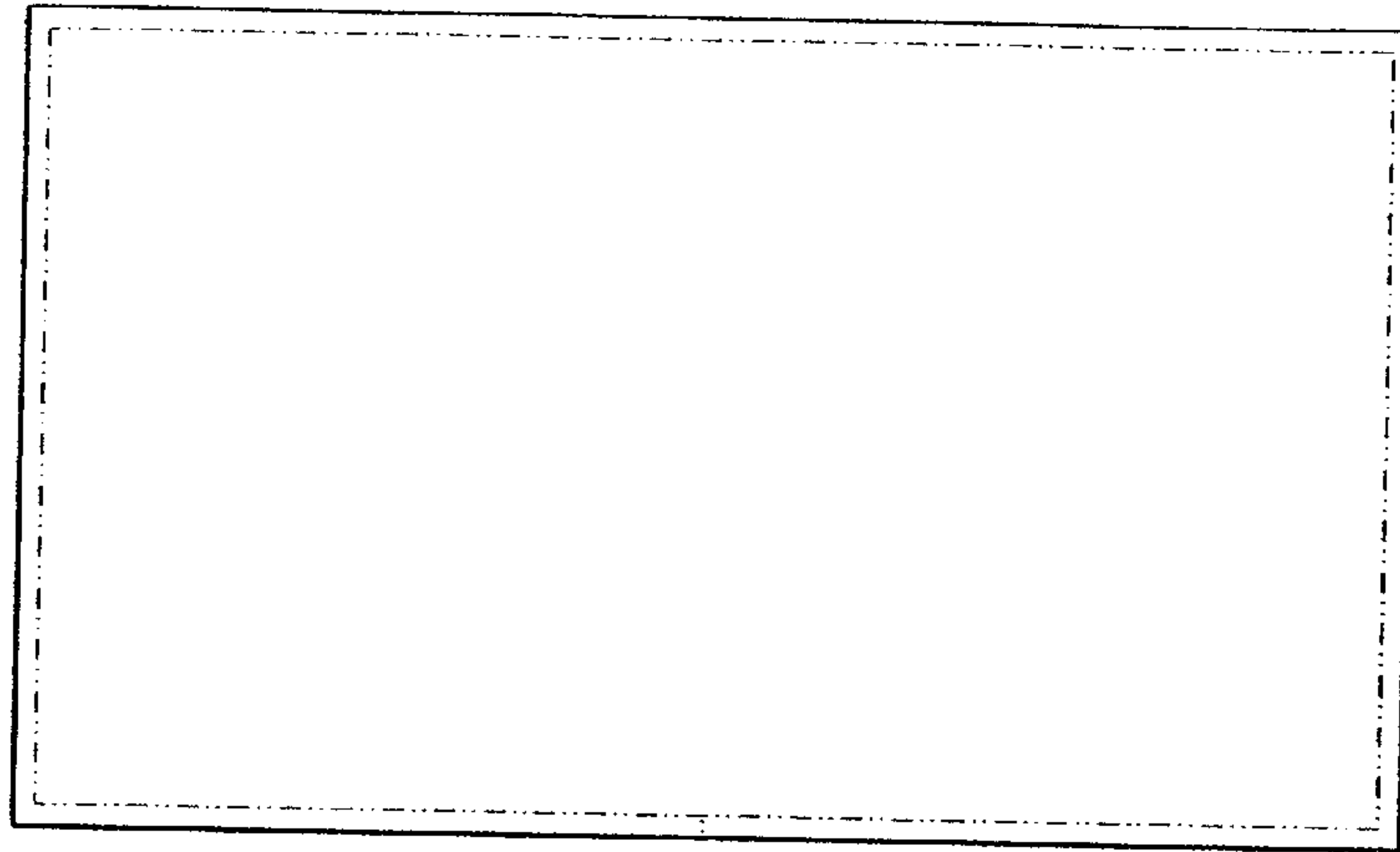


FIG. 5

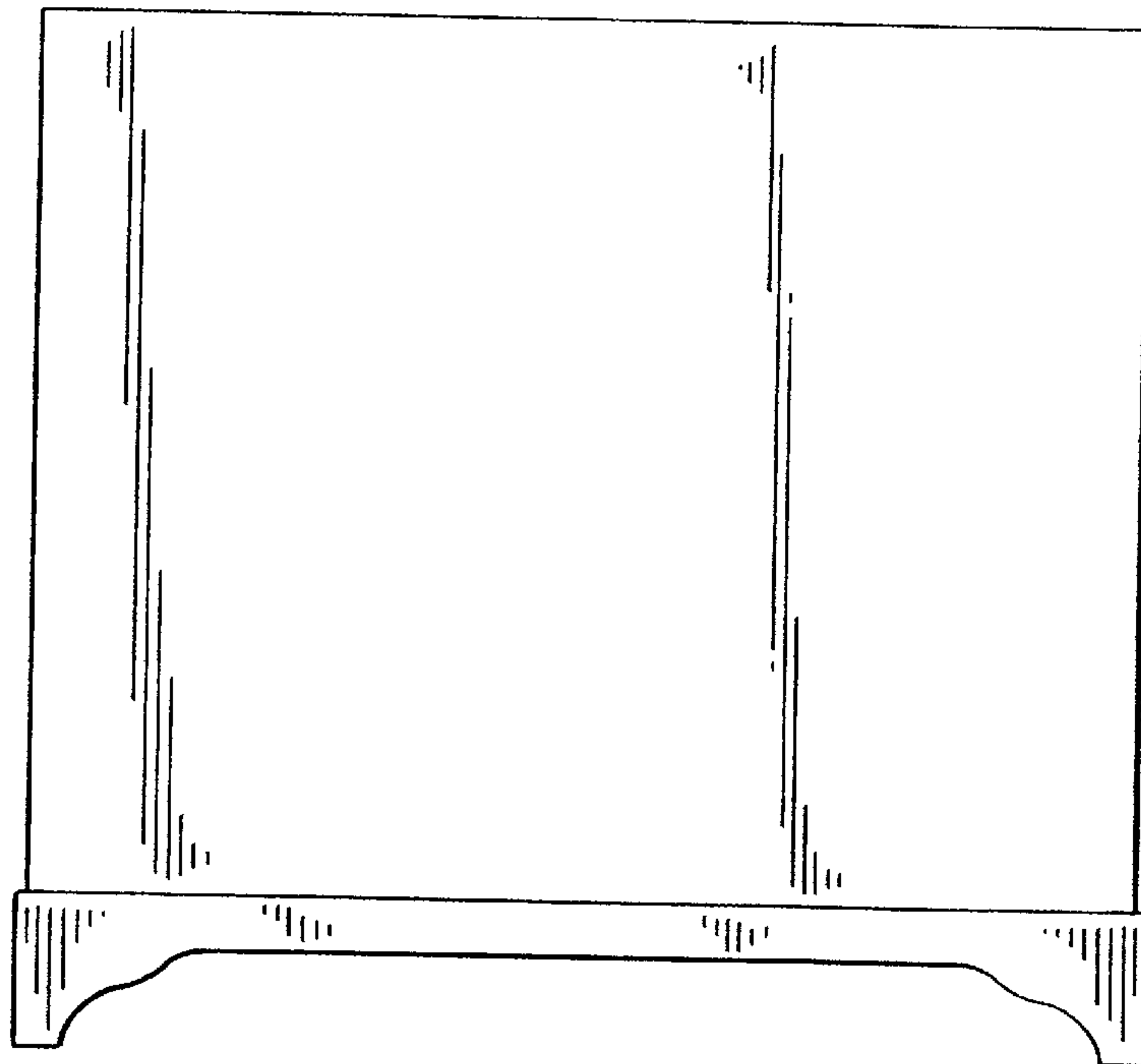


FIG. 6

