

US00D543723S

(12) **United States Design Patent**  
**Brown et al.**

(10) **Patent No.: US D543,723 S**  
(45) **Date of Patent: \*\* Jun. 5, 2007**

(54) **MOBILE CABINET**

(76) Inventors: **Richard Alan Brown**, 924 R.R. #2, St. Pierre de Broughton, Quebec (CA), G0N 1T0; **Henrietta Rouleau**, 924 R.R. #2, St. Pierre de Broughton, Quebec (CA), G0N 1T0; **Alexander Brown**, 924 R.R. #2, St. Pierre de Broughton, Quebec (CA), G0N 1T0

(\*\*) Term: **14 Years**

(21) Appl. No.: **29/229,025**

(22) Filed: **May 3, 2005**

(30) **Foreign Application Priority Data**

Nov. 12, 2004 (CA) ..... 108997

(51) **LOC (8) Cl.** ..... **06-04**

(52) **U.S. Cl.** ..... **D6/436; D34/19**

(58) **Field of Classification Search** ..... D6/432-448;  
D34/19, 20, 14; 312/140.2, 204, 209  
See application file for complete search history.

(56) **References Cited**

**U.S. PATENT DOCUMENTS**

D322,184 S \* 12/1991 Prevedello et al. .... D6/436

D336,706 S \* 6/1993 Lechman et al. .... D34/19  
D370,328 S \* 5/1996 Mathews et al. .... D34/19  
D399,370 S \* 10/1998 Crinion ..... D6/436  
D407,578 S \* 4/1999 Crinion ..... D6/436  
D408,954 S \* 4/1999 Geier et al. .... D34/19  
D414,054 S \* 9/1999 Hurd ..... D6/436  
D424,323 S \* 5/2000 Sandy ..... D6/422  
D457,704 S \* 5/2002 Fiscus et al. .... D34/19  
D471,382 S \* 3/2003 Jackson ..... D6/470  
6,663,200 B1 \* 12/2003 James ..... 312/140.2

\* cited by examiner

*Primary Examiner*—Cathron C. Brooks

(74) *Attorney, Agent, or Firm*—Philip A. Swain

(57) **CLAIM**

The ornamental design for the mobile cabinet, as shown and described.

**DESCRIPTION**

FIG. 1 is a perspective view of our mobile cabinet;  
FIG. 2 is a top plan view of the mobile cabinet of FIG. 1;  
FIG. 3 is a front elevation view of the mobile cabinet of FIG. 1; and,  
FIG. 4 is a cross sectional view taken along line 4-4 of FIG. 3.

**1 Claim, 4 Drawing Sheets**

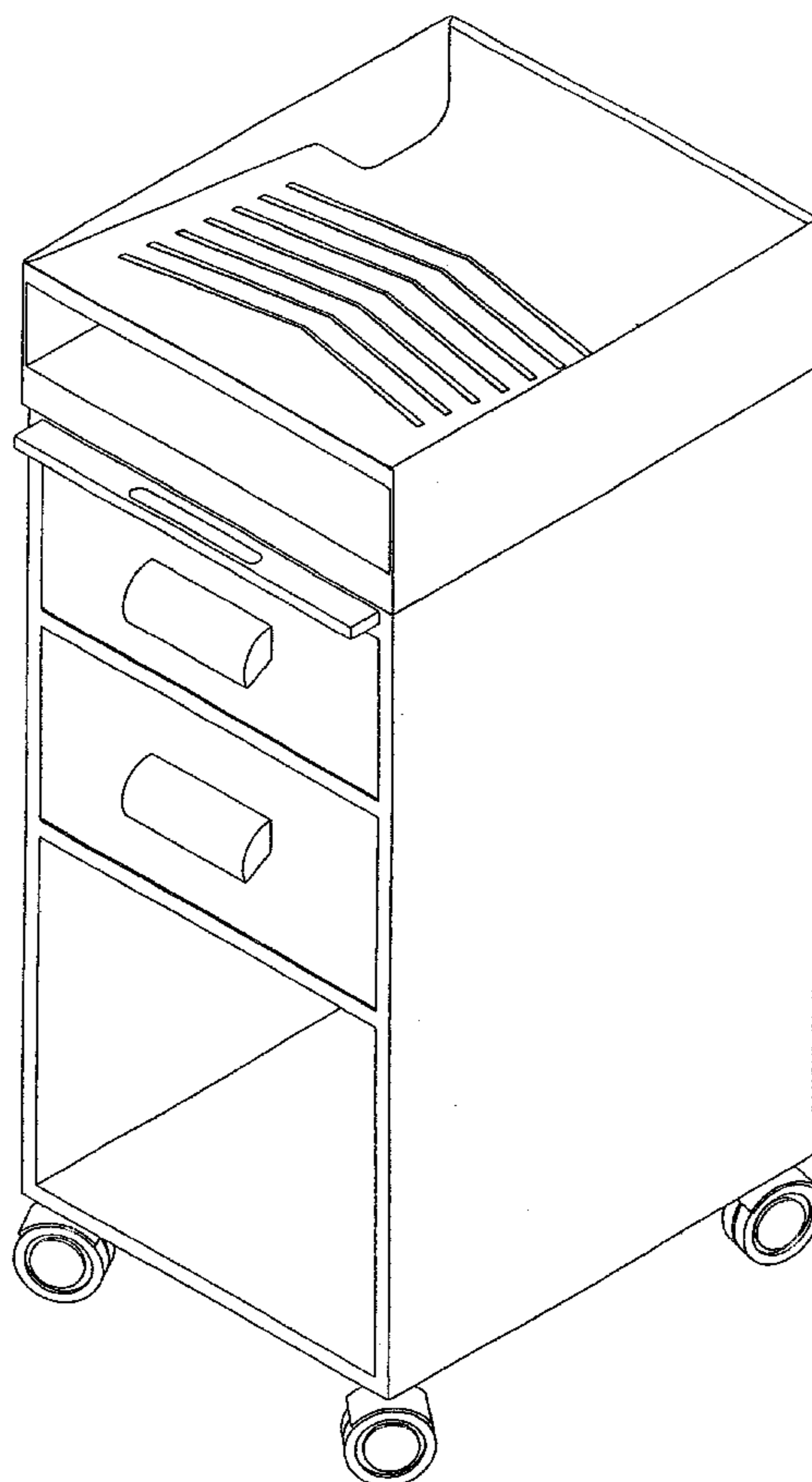


Fig. 1

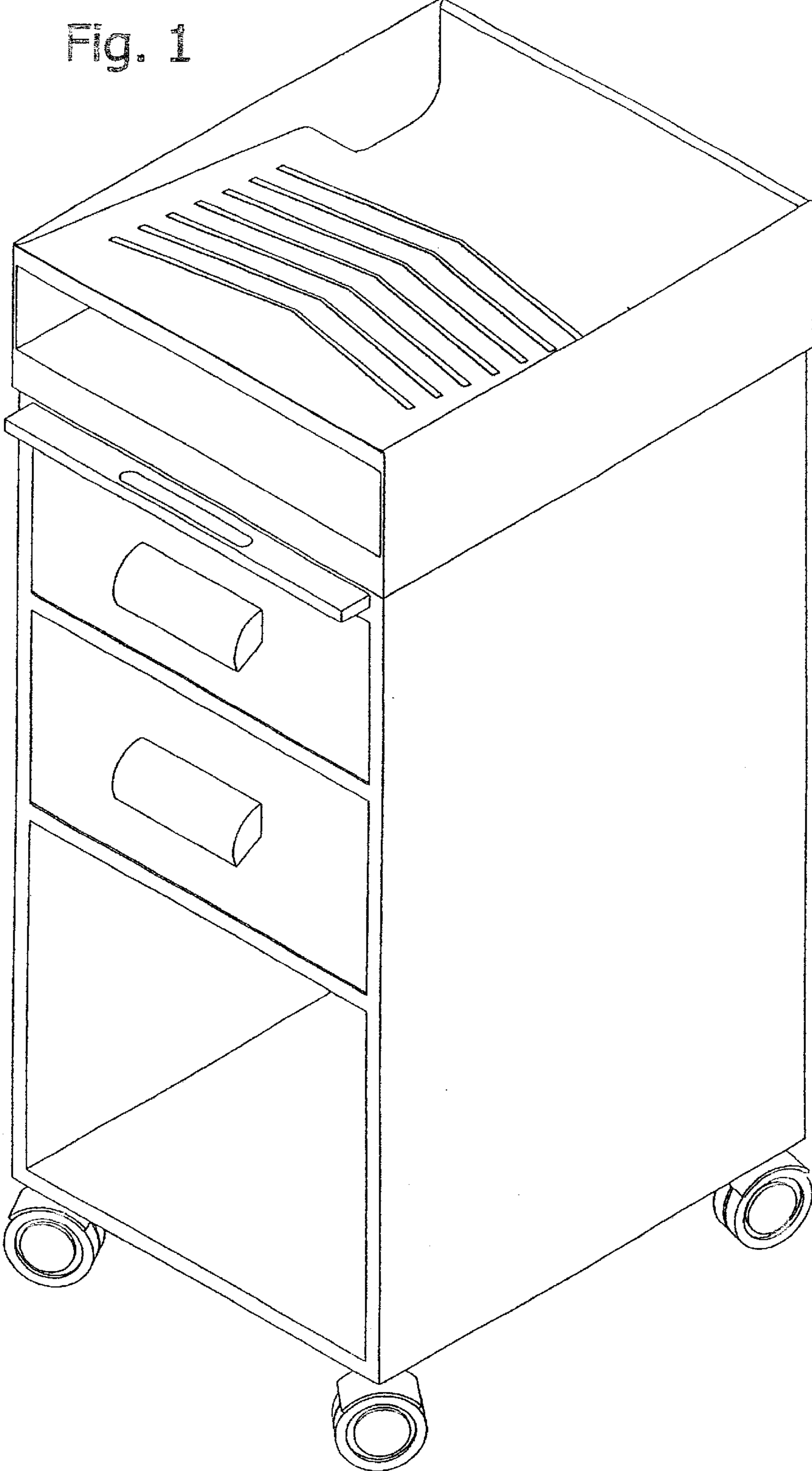


Fig. 2

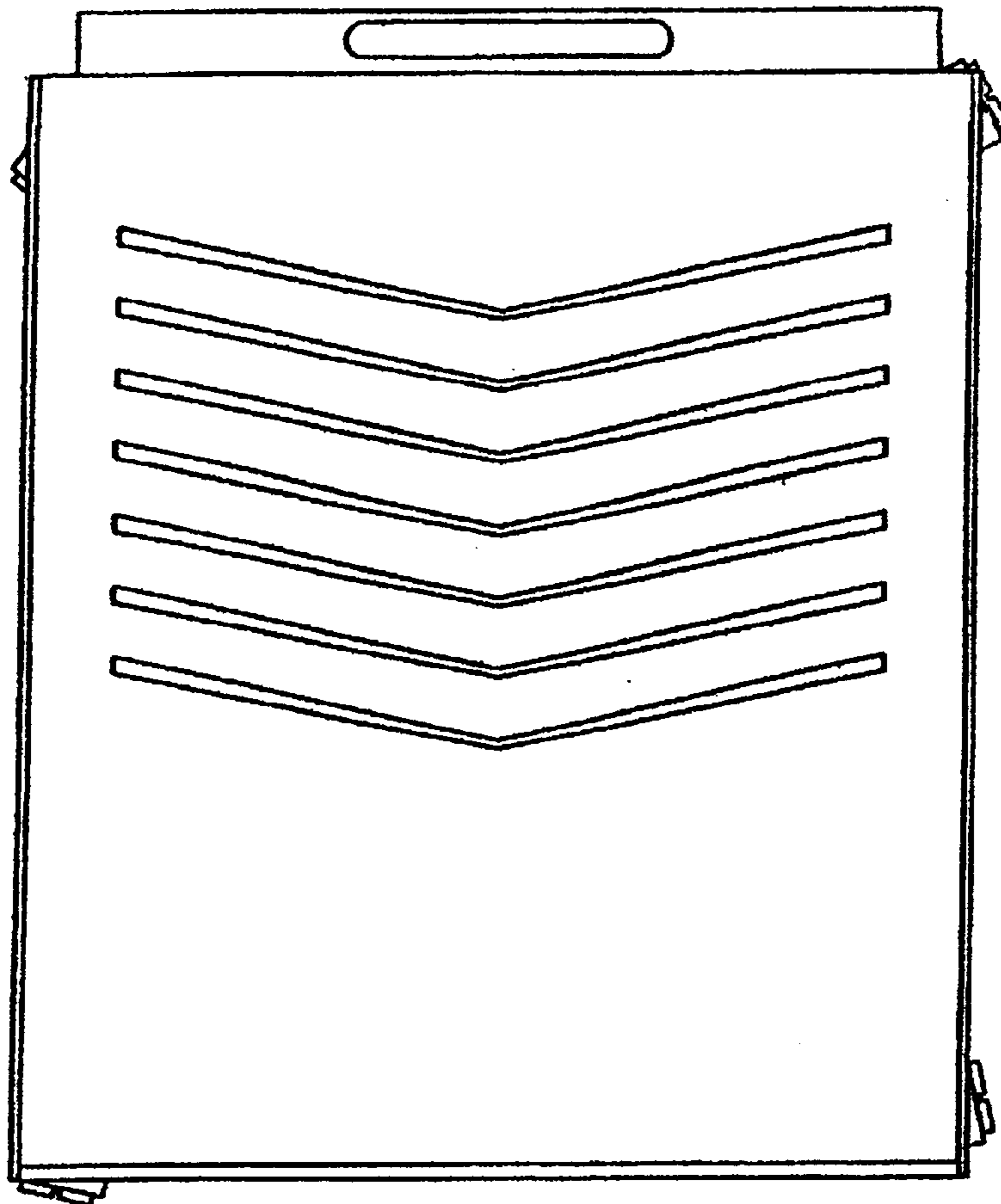


Fig. 3

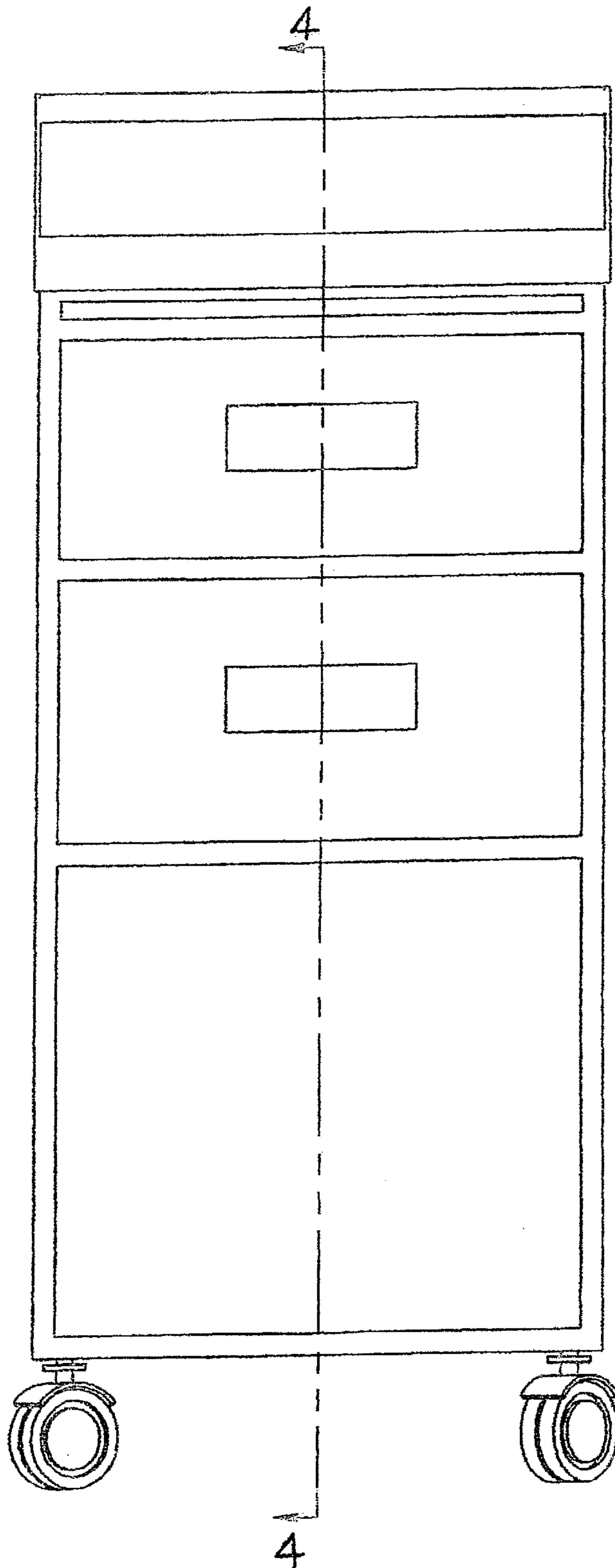


Fig. 4

