



US00D543716S

(12) **United States Design Patent**
Votteler et al.

(10) **Patent No.:** **US D543,716 S**

(45) **Date of Patent:** **** Jun. 5, 2007**

(54) **CHAIR**

(75) Inventors: **Arno Votteler**, Stuttgart (DE);
Matthias Votteler, Stuttgart (DE)

(73) Assignee: **Stoll Giroflex AG**, Koblenz (CH)

(**) Term: **14 Years**

(21) Appl. No.: **29/230,428**

(22) Filed: **May 23, 2005**

(30) **Foreign Application Priority Data**

Nov. 24, 2004 (WO) DM/066256

(51) **LOC (8) Cl.** **06-01**

(52) **U.S. Cl.** **D6/366**

(58) **Field of Classification Search** D6/334-336,
D6/364, 365, 366, 367, 374, 375, 492, 500-502;
297/271.2, 281, 287, 411.44, 411.45
See application file for complete search history.

(56) **References Cited**

U.S. PATENT DOCUMENTS

D280,786 S	*	10/1985	Platner	D6/366
D282,221 S	*	1/1986	Platner	D6/366
D286,105 S	*	10/1986	Goldman	D6/365
D327,585 S	*	7/1992	Hollington	D6/366
D330,810 S	*	11/1992	Stafford	D6/366
D336,999 S	*	7/1993	Yamasaki et al.	D6/367

D403,519 S	*	1/1999	Stafford	D6/366
D408,162 S	*	4/1999	Olson et al.	D6/366
D408,164 S	*	4/1999	Popham et al.	D6/366
D414,630 S	*	10/1999	Buscio et al.	D6/500
D437,131 S	*	2/2001	Tseng	D6/366
D494,788 S	*	8/2004	True	D6/500
D518,319 S	*	4/2006	True	D6/500

* cited by examiner

Primary Examiner—Mimosa De

(74) *Attorney, Agent, or Firm*—Greenblum & Bernstein, P.L.C.

(57) **CLAIM**

I claim the ornamental design for a chair, as shown and described.

DESCRIPTION

FIG. 1 is a perspective view of a chair showing my new design;

FIG. 2 is a front side view thereof;

FIG. 3 is a back side view thereof;

FIG. 4 is a left side view thereof;

FIG. 5 is a right side view thereof;

FIG. 6 is a top view thereof; and,

FIG. 7 is a bottom view thereof.

Any surfaces of the design not shown, including interior surfaces, form no part of the claimed invention.

1 Claim, 7 Drawing Sheets





FIG. 1

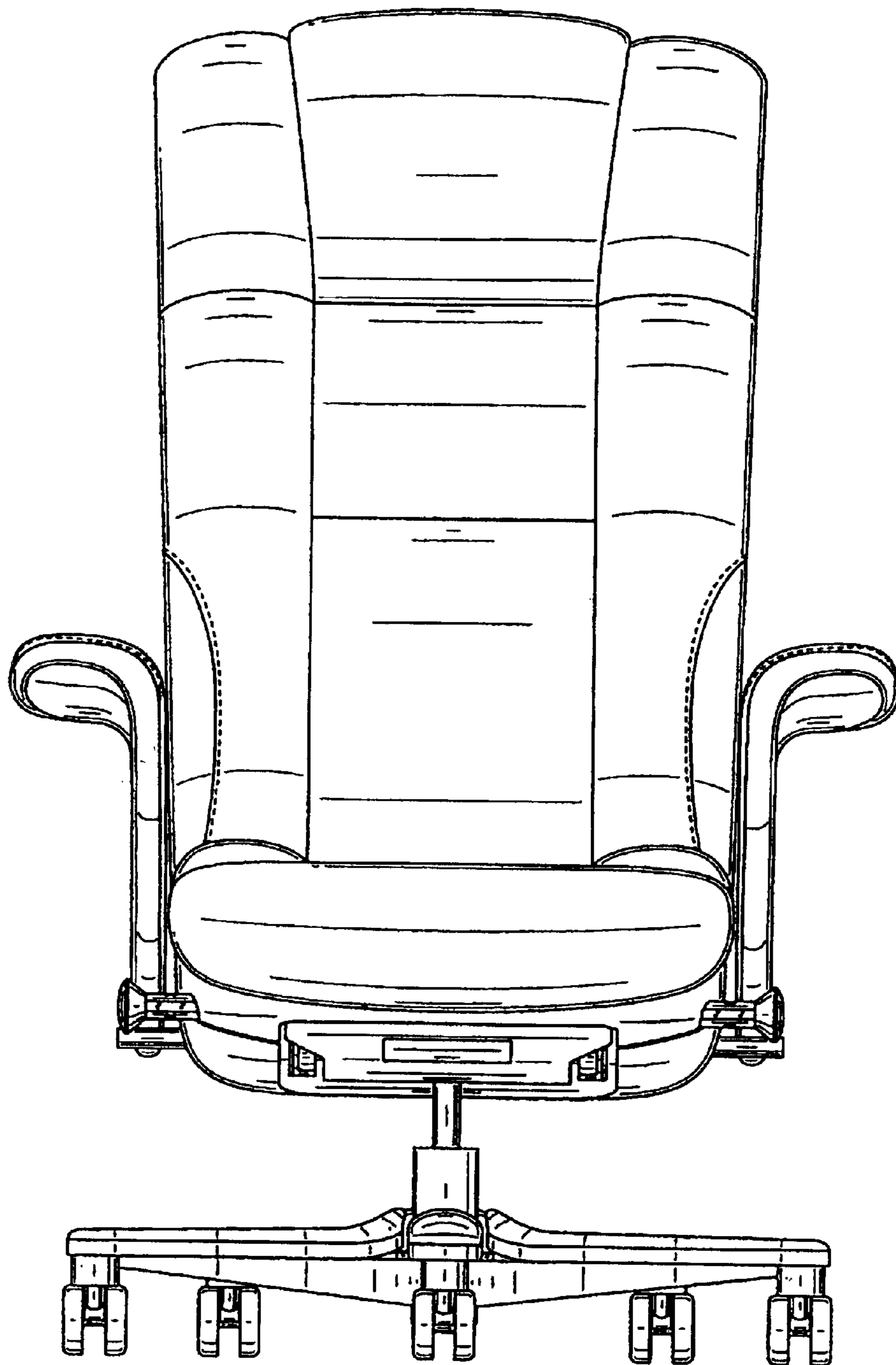


FIG. 2

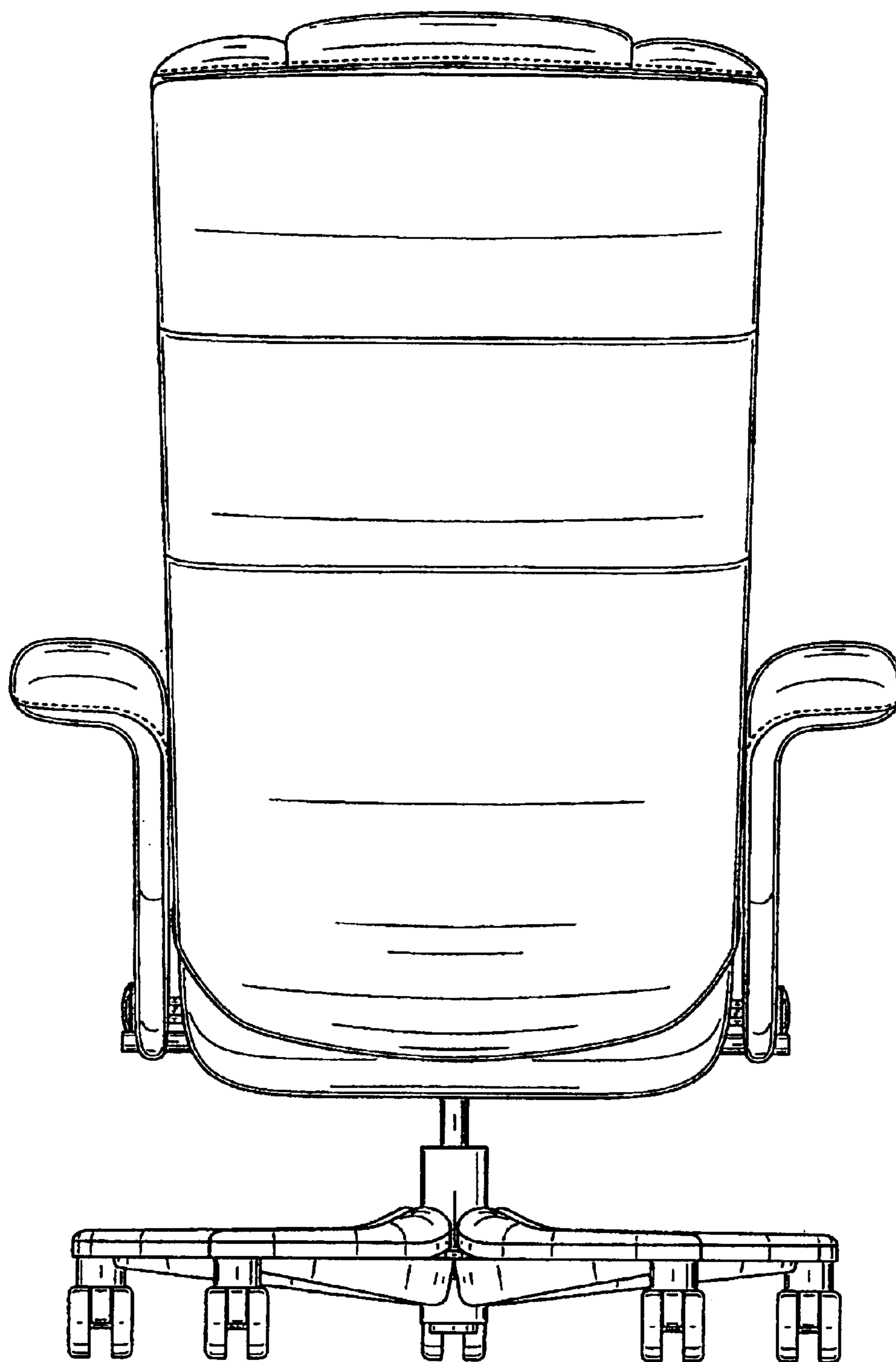


FIG. 3

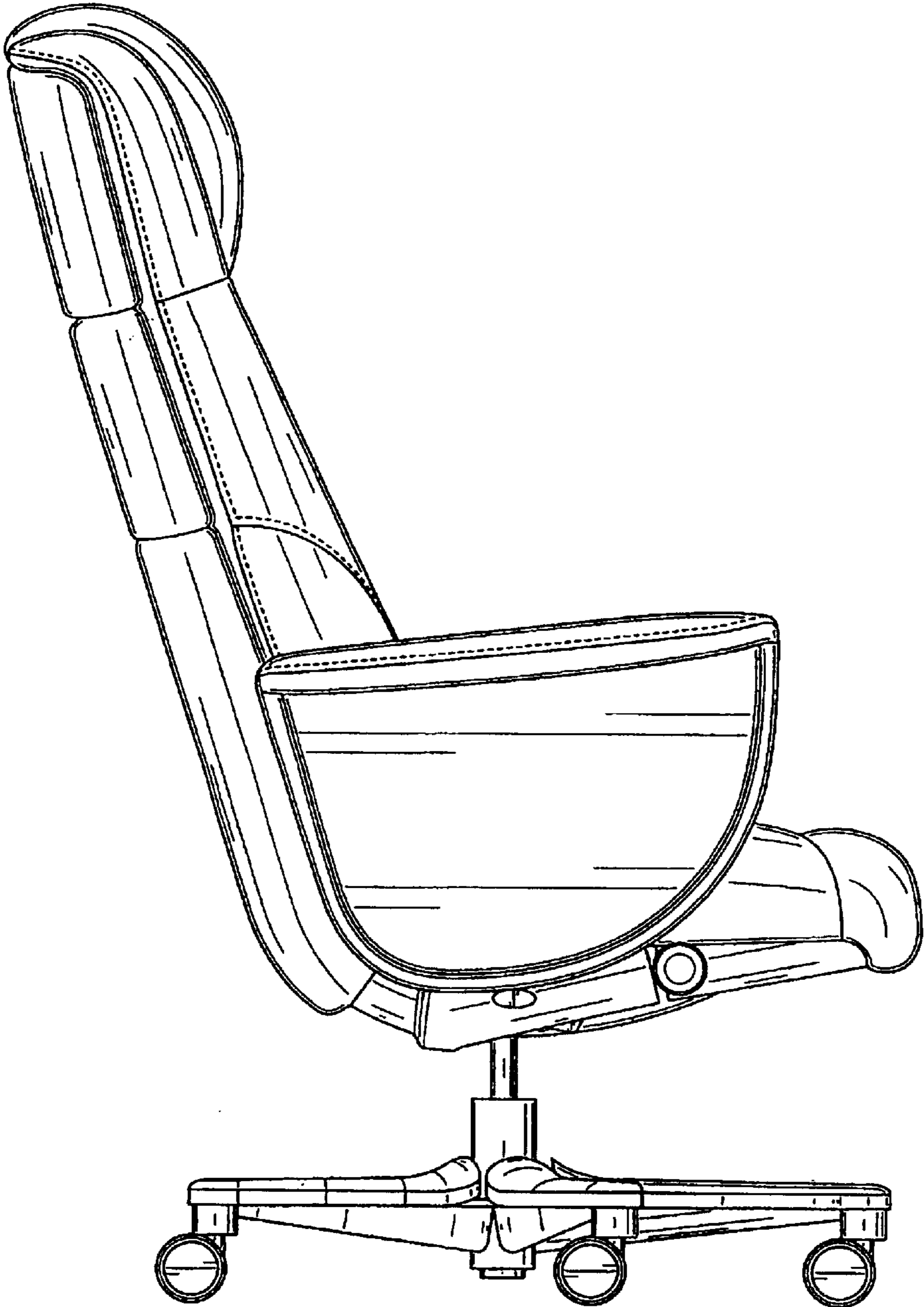


FIG. 4

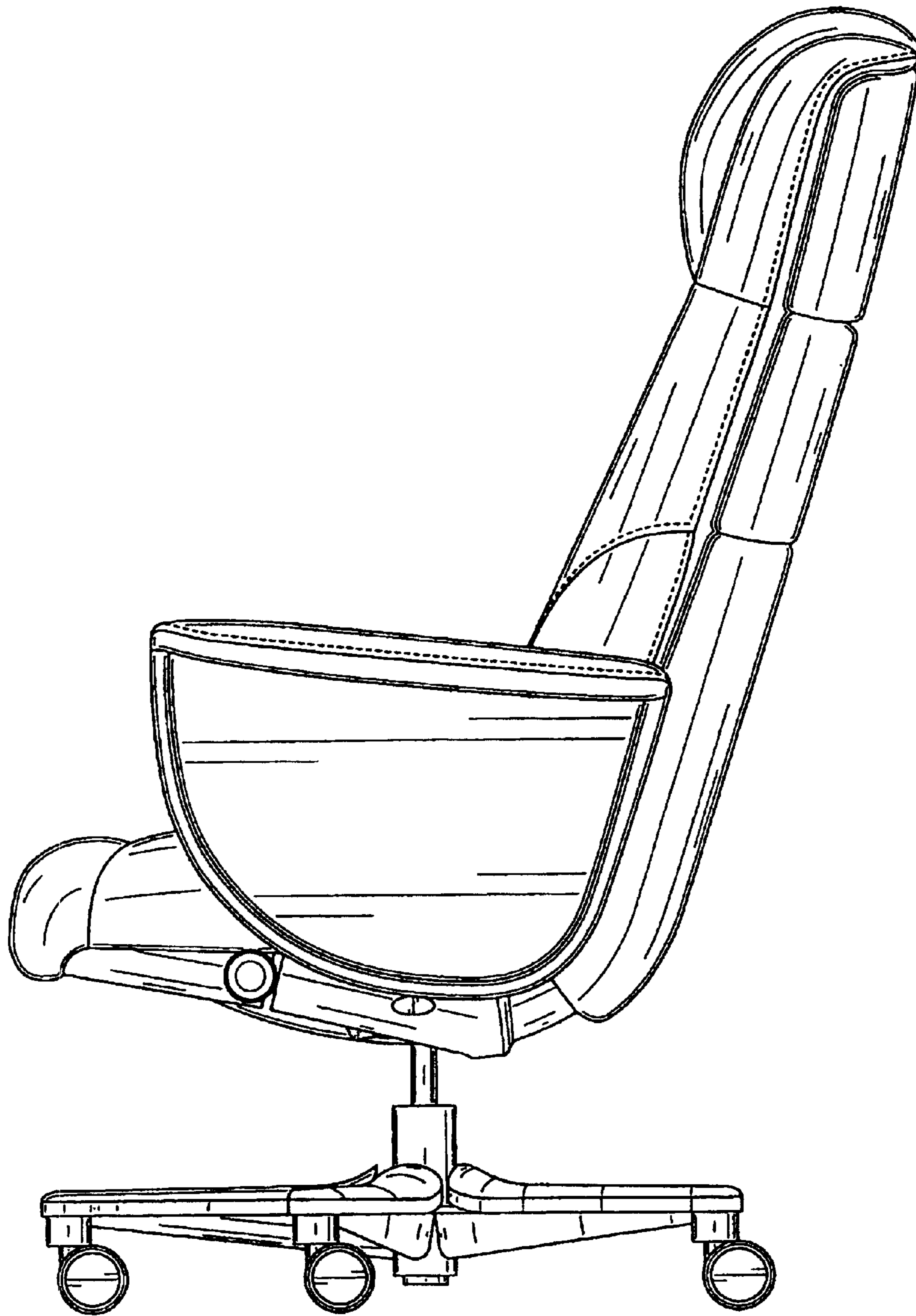


FIG. 5

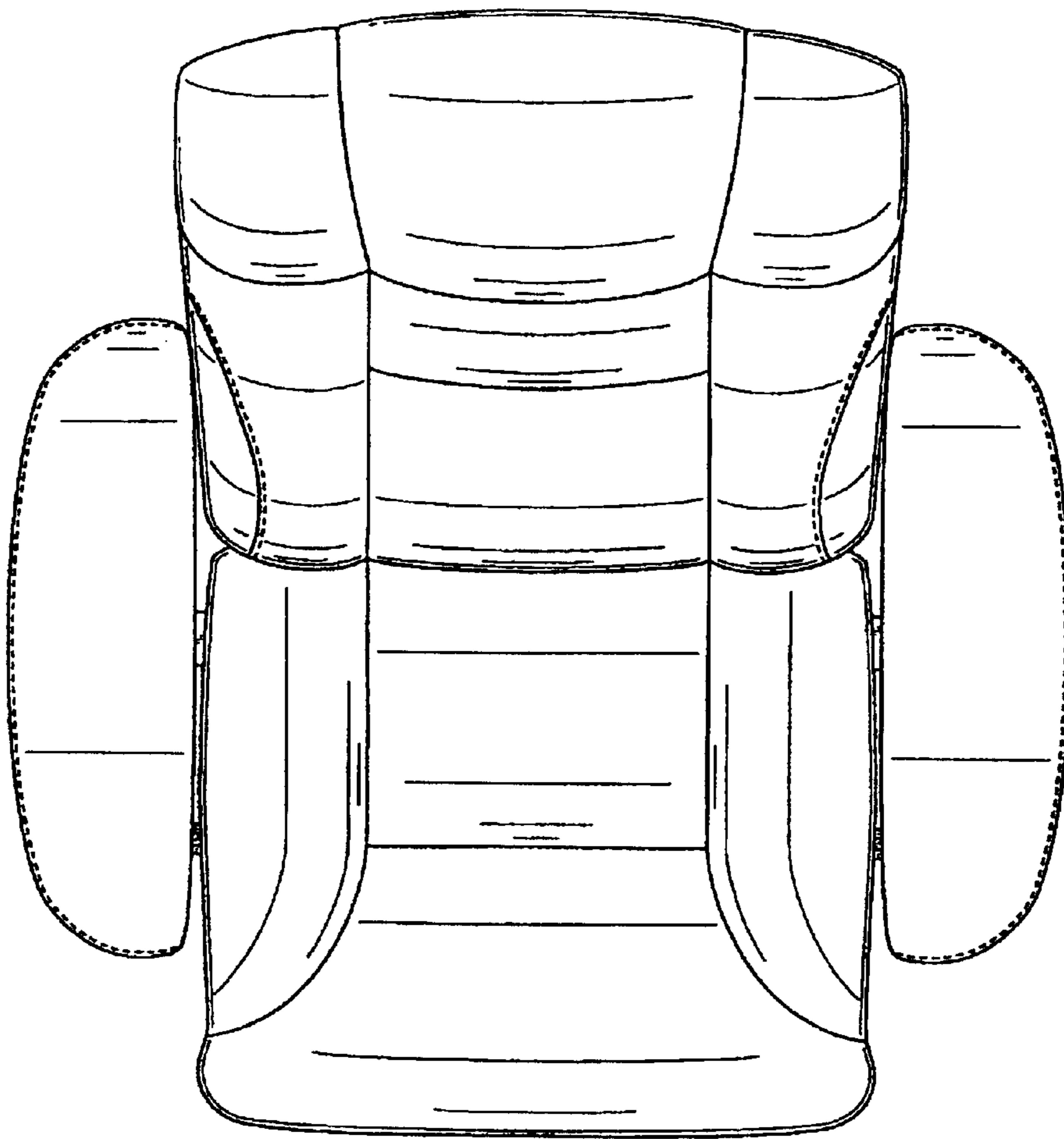


FIG. 6

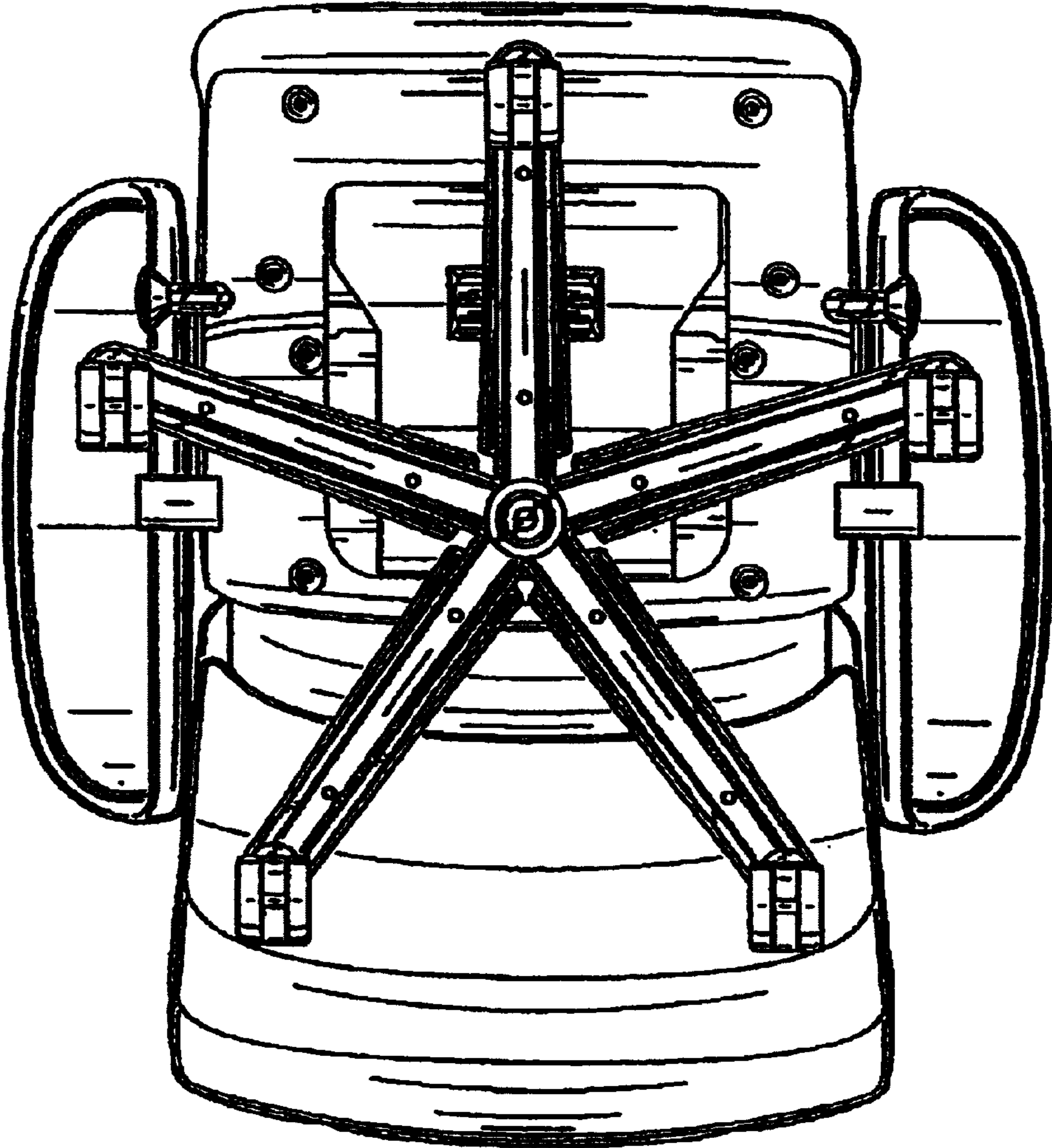


FIG. 7