



US00D543712S

(12) **United States Design Patent**
Cheng

(10) **Patent No.:** **US D543,712 S**

(45) **Date of Patent:** **** Jun. 5, 2007**

(54) **BABY CHAIR**

(76) **Inventor:** **Shu-Chen Cheng**, 10F, No. 29-5, Sec. 2, Chung Cheng E. Rd., Tamshui Chen, Taipei Hsien (TW)

(**) **Term:** **14 Years**

(21) **Appl. No.:** **29/251,500**

(22) **Filed:** **Jan. 10, 2006**

(51) **LOC (8) Cl.** **06-01**

(52) **U.S. Cl.** **D6/339**

(58) **Field of Classification Search** D6/333-339,
D6/502; 297/1-3, 24, 27, 61, 68, 69, 118,
297/119, 130, 136, 148, 153, 170-173, 174 R,
297/174 CS, 256.1, 344.14

See application file for complete search history.

(56) **References Cited**

U.S. PATENT DOCUMENTS

D152,832 S	*	2/1949	Shagara	D6/339
3,649,074 A	*	3/1972	McDonald et al.	297/153
D291,156 S	*	8/1987	Nakao et al.	D6/338
D337,665 S	*	7/1993	Tsuchiya	D6/339
D344,189 S	*	2/1994	Golenz et al.	D6/339
D368,593 S	*	4/1996	Cone, II	D6/339
D373,029 S	*	8/1996	Mariol et al.	D6/339
D426,965 S	*	6/2000	Wu	D6/339
6,089,653 A	*	7/2000	Hotaling et al.	297/130

D454,007 S	*	3/2002	Huang	D6/339
D483,958 S	*	12/2003	Chen	D6/339
D493,624 S	*	8/2004	Chen	D6/339
2005/0248186 A1	*	11/2005	Wang	297/148

* cited by examiner

Primary Examiner—Sandra Snapp

Assistant Examiner—Karen Acker

(74) *Attorney, Agent, or Firm*—Birch, Stewart, Kolasch & Birch, LLP

(57) **CLAIM**

The ornamental design for a baby chair, as shown and described.

DESCRIPTION

FIG. 1 is a perspective view of a baby chair showing my new design;

FIG. 2 is a front view thereof;

FIG. 3 is a rear view thereof;

FIG. 4 is a left side view thereof;

FIG. 5 is a right side view thereof;

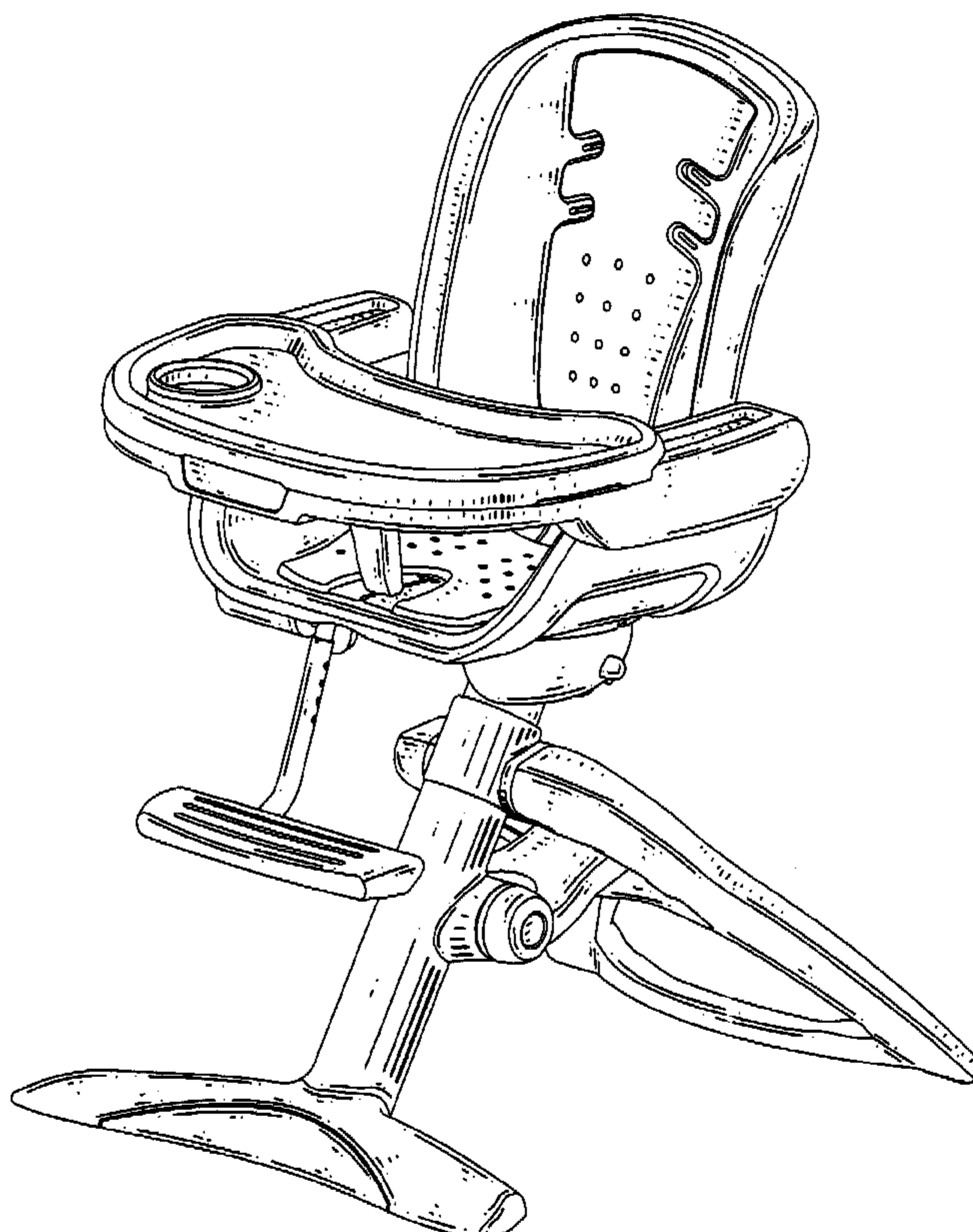
FIG. 6 is a top view thereof;

FIG. 7 is a bottom view thereof;

FIG. 8 is a perspective view of the baby chair in a folded status, wherein the tray is removed from the baby chair; and,

FIG. 9 is an exploded perspective view of the baby chair wherein a tray is detached from the baby chair.

1 Claim, 9 Drawing Sheets



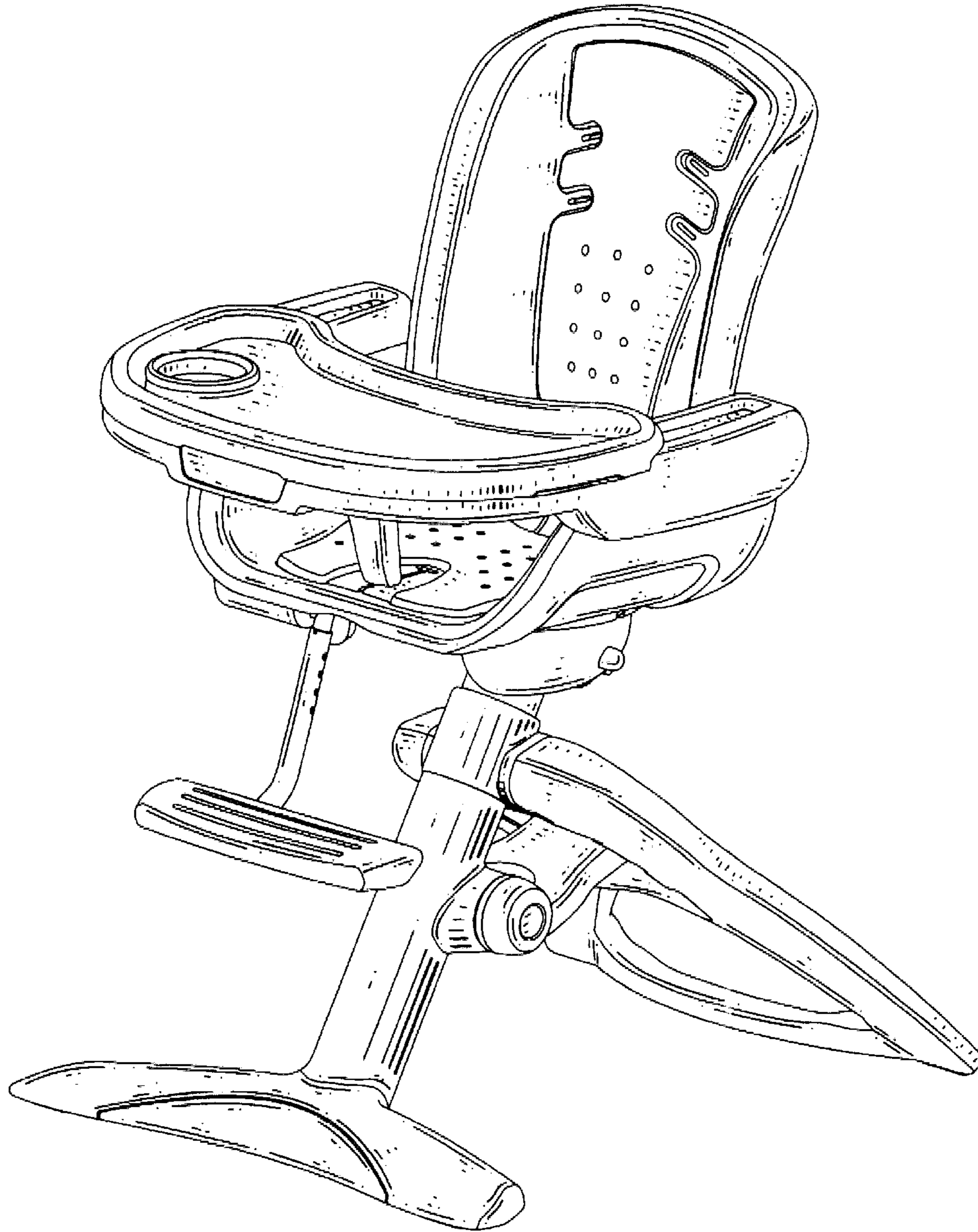


FIG.1

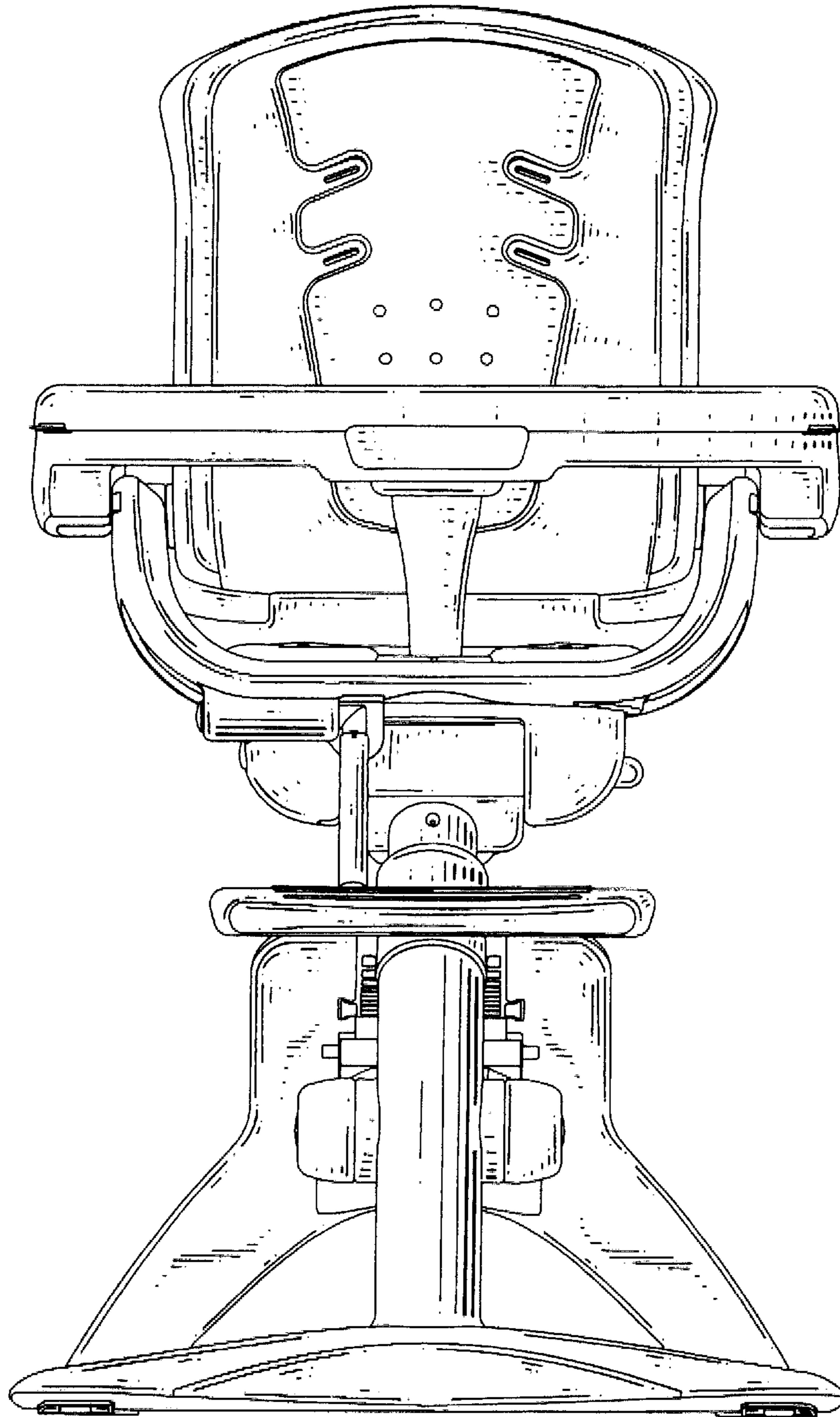


FIG.2

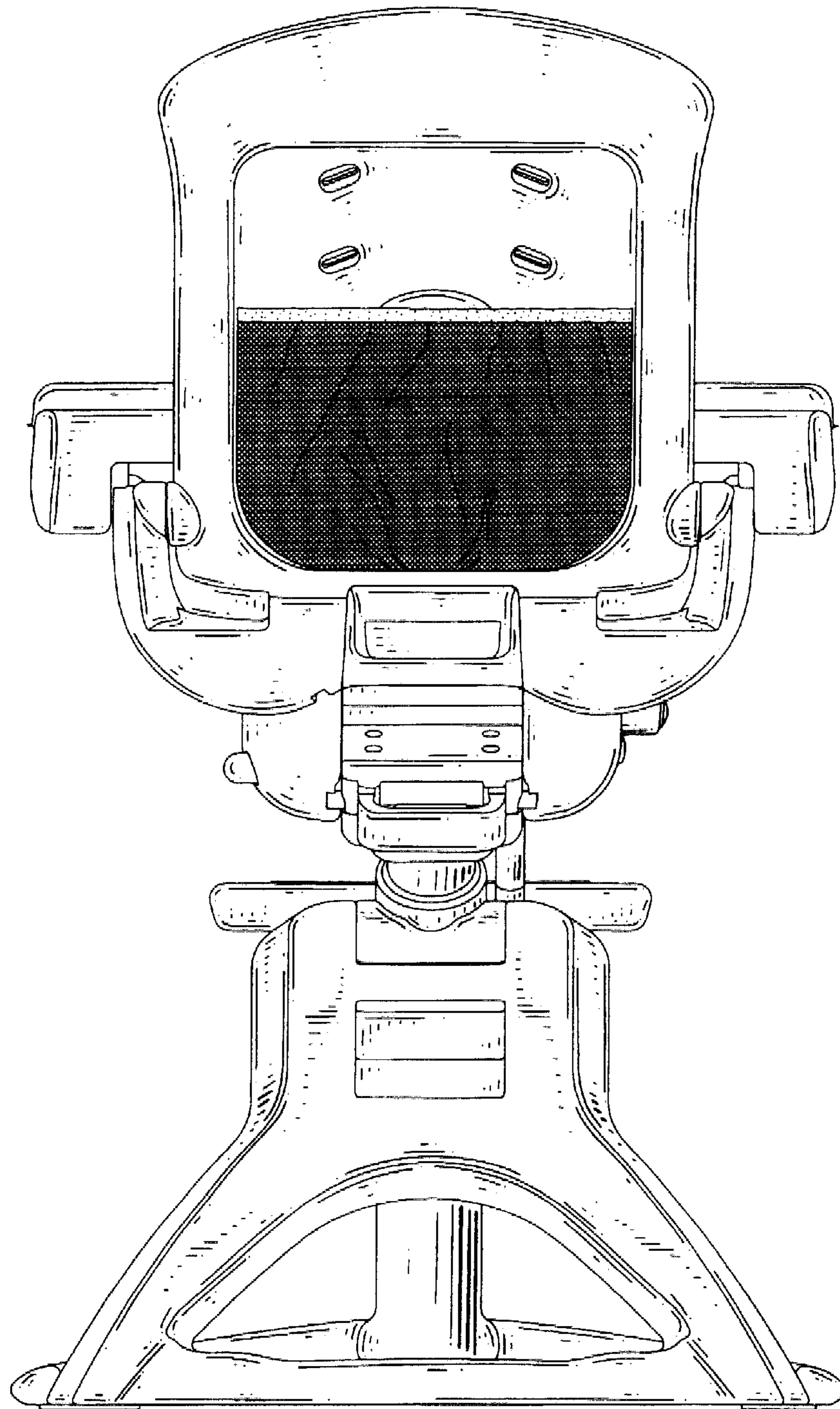


FIG.3

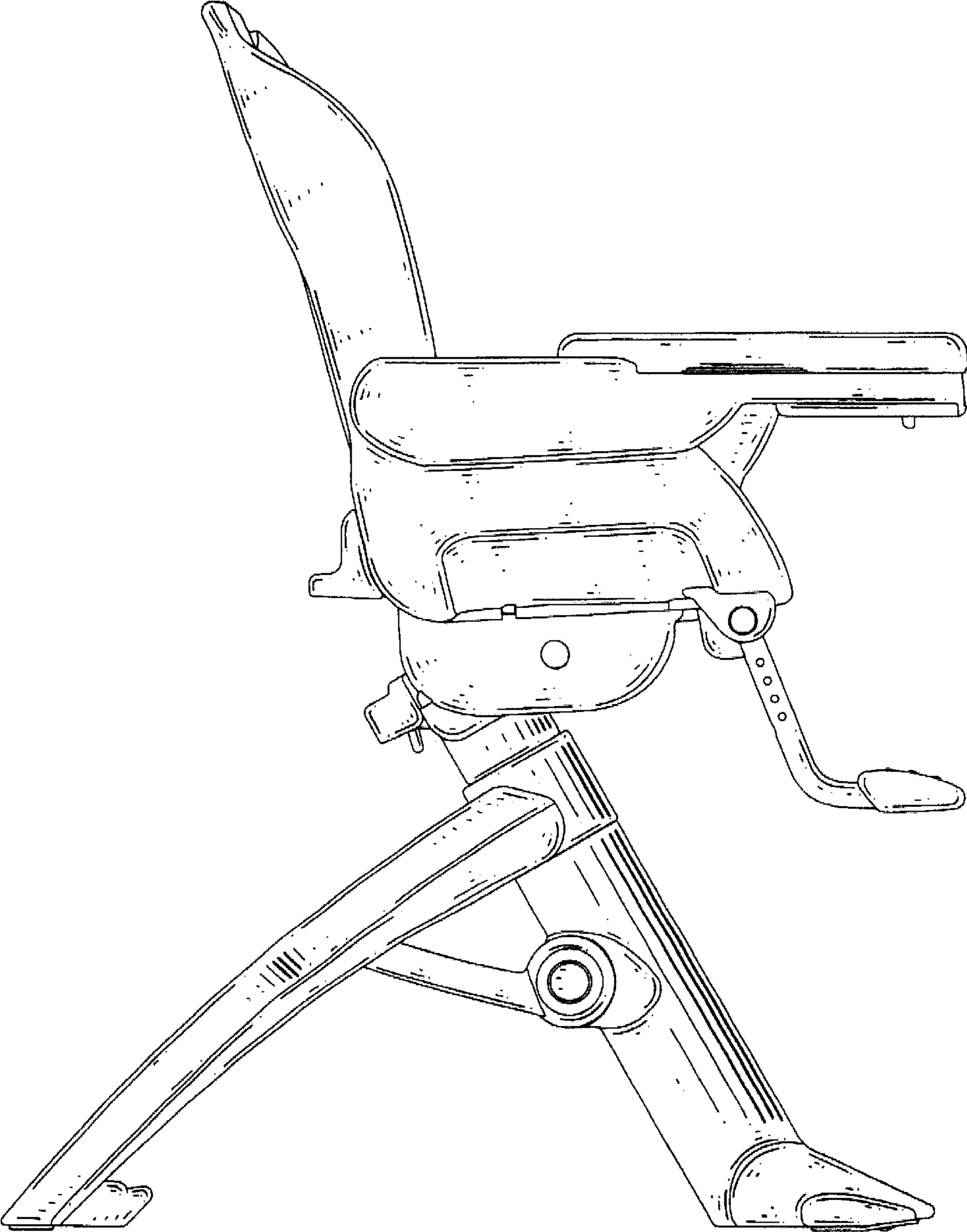


FIG.4

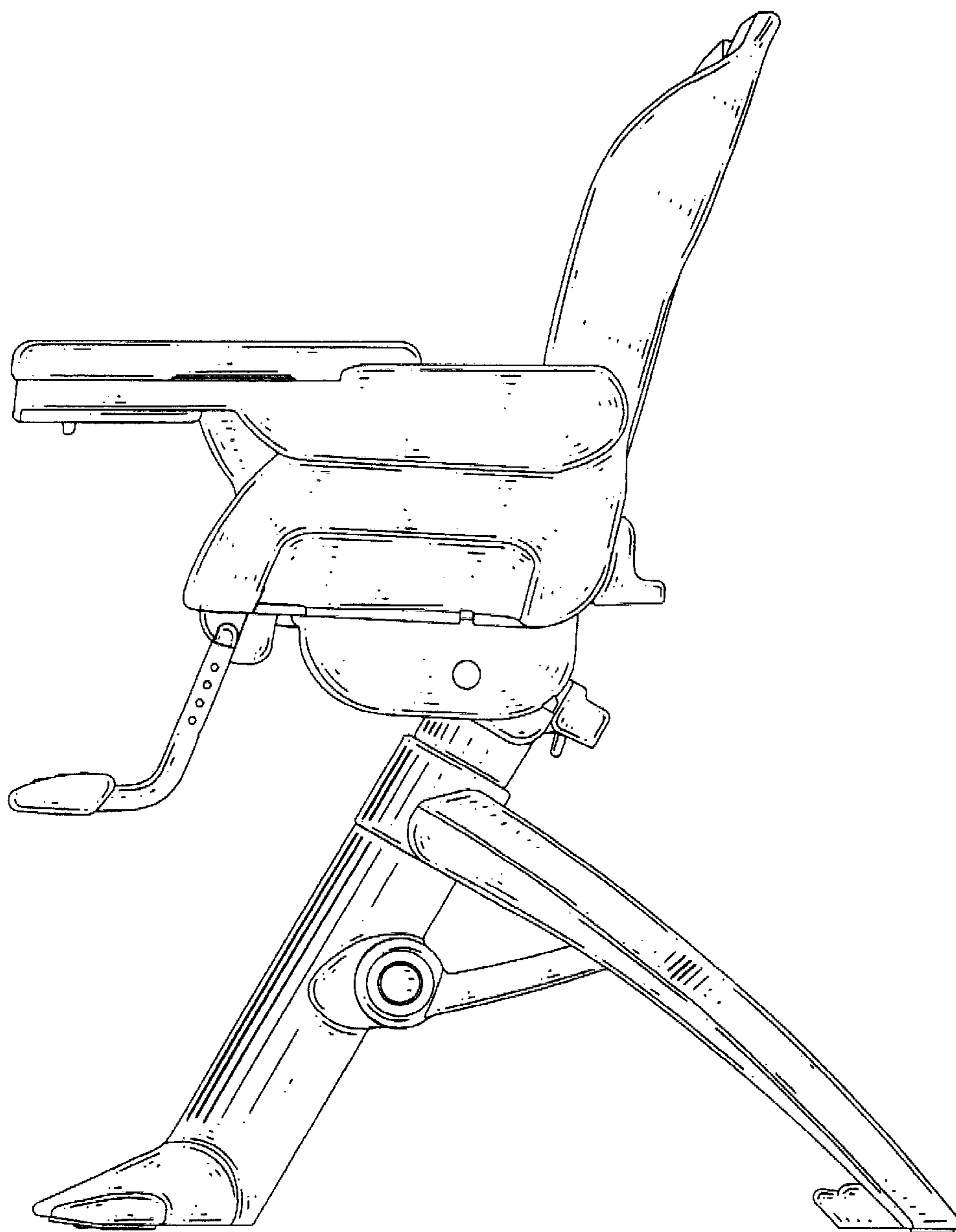


FIG.5

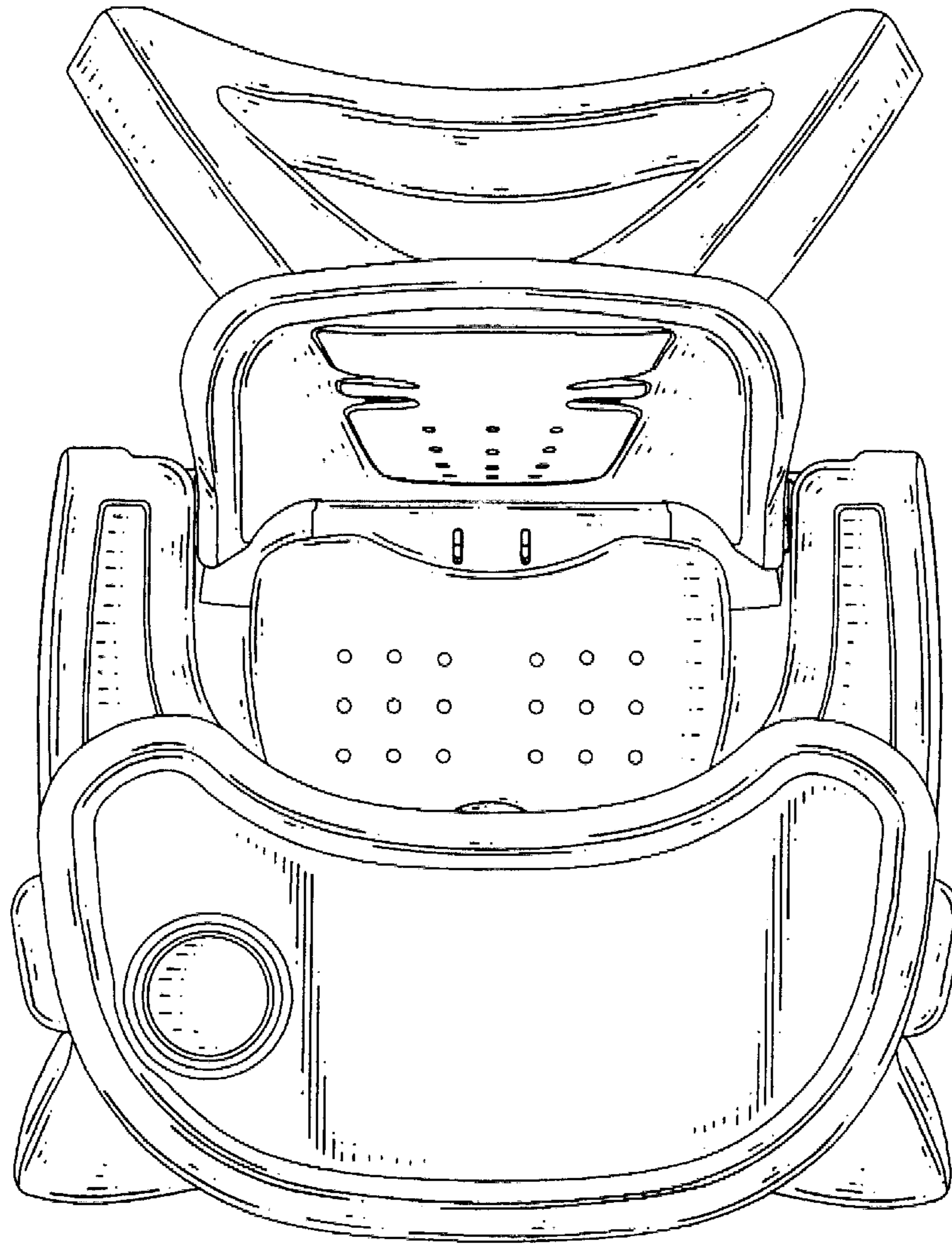


FIG.6

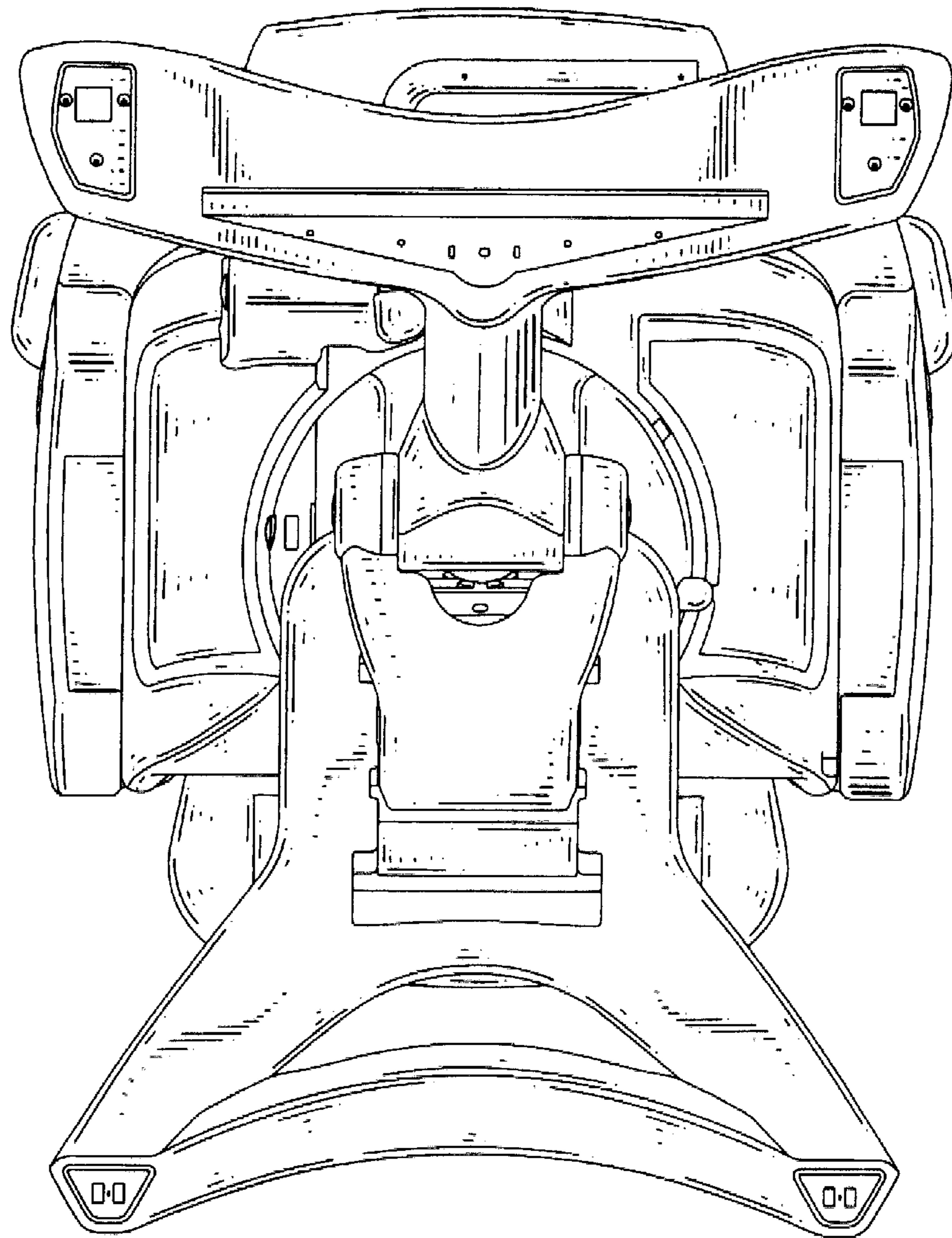


FIG.7

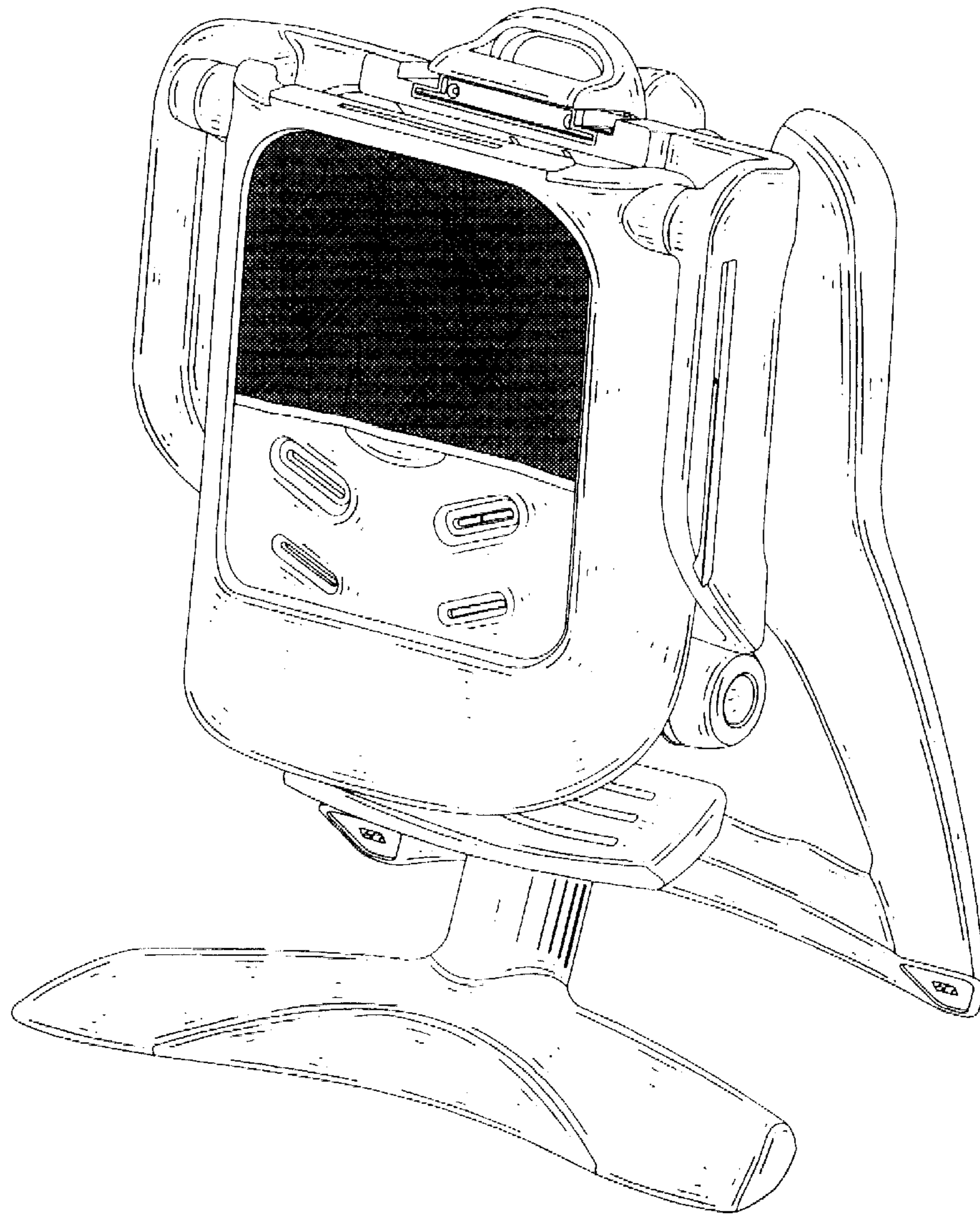


FIG.8

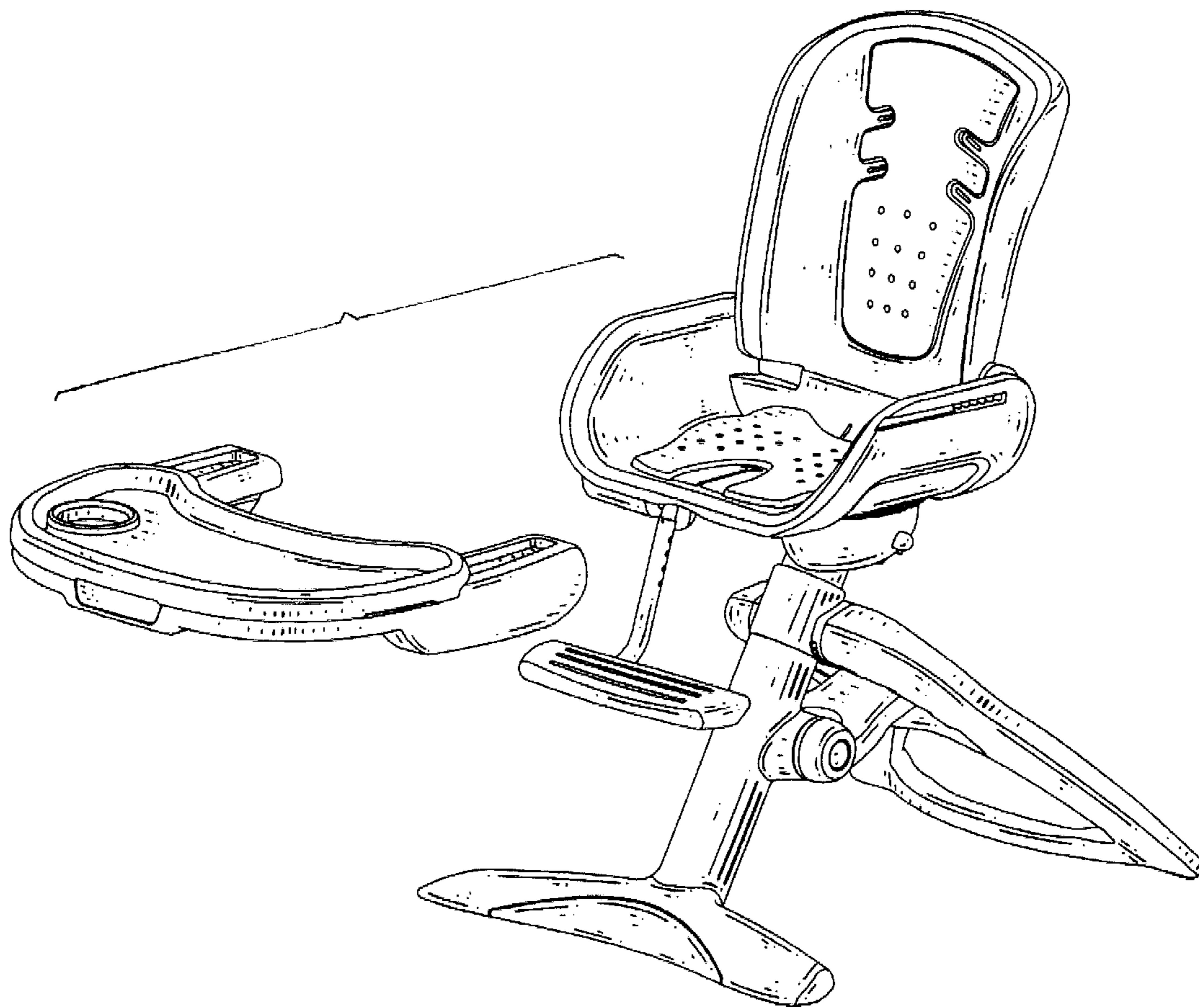


FIG. 9